

[54] DRINK LAYERING SPOON
 [76] Inventor: Patrick T. Case, 102 Wedgewood Rd., Oak Ridge, Tenn. 37830
 [**] Term: 14 Years
 [21] Appl. No.: 291,861
 [22] Filed: Dec. 29, 1988
 [52] U.S. Cl. D7/643; D7/653; D7/691
 [58] Field of Search 30/324, 328, 327, 141, 30/125, 147; D7/643, 644, 642, 645, 653, 691, 688, 647, 648, 662

2,859,515 11/1958 Kinman 30/141

FOREIGN PATENT DOCUMENTS

337965 5/1904 France 30/324 X
 2083341 3/1982 United Kingdom 30/141 X

Primary Examiner—Winifred E. Herrmann
 Attorney, Agent, or Firm—H. L. Holsopple

[57] CLAIM

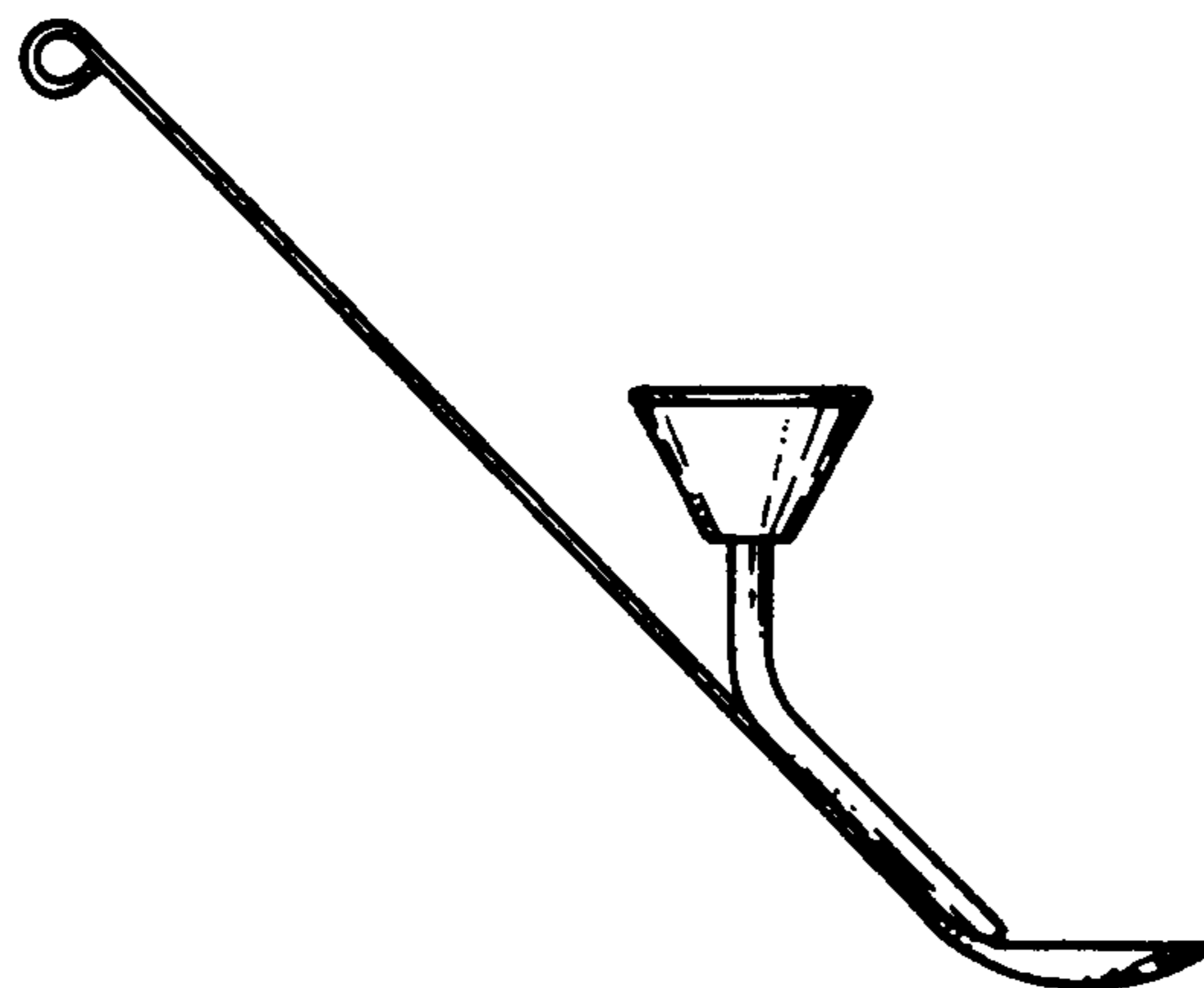
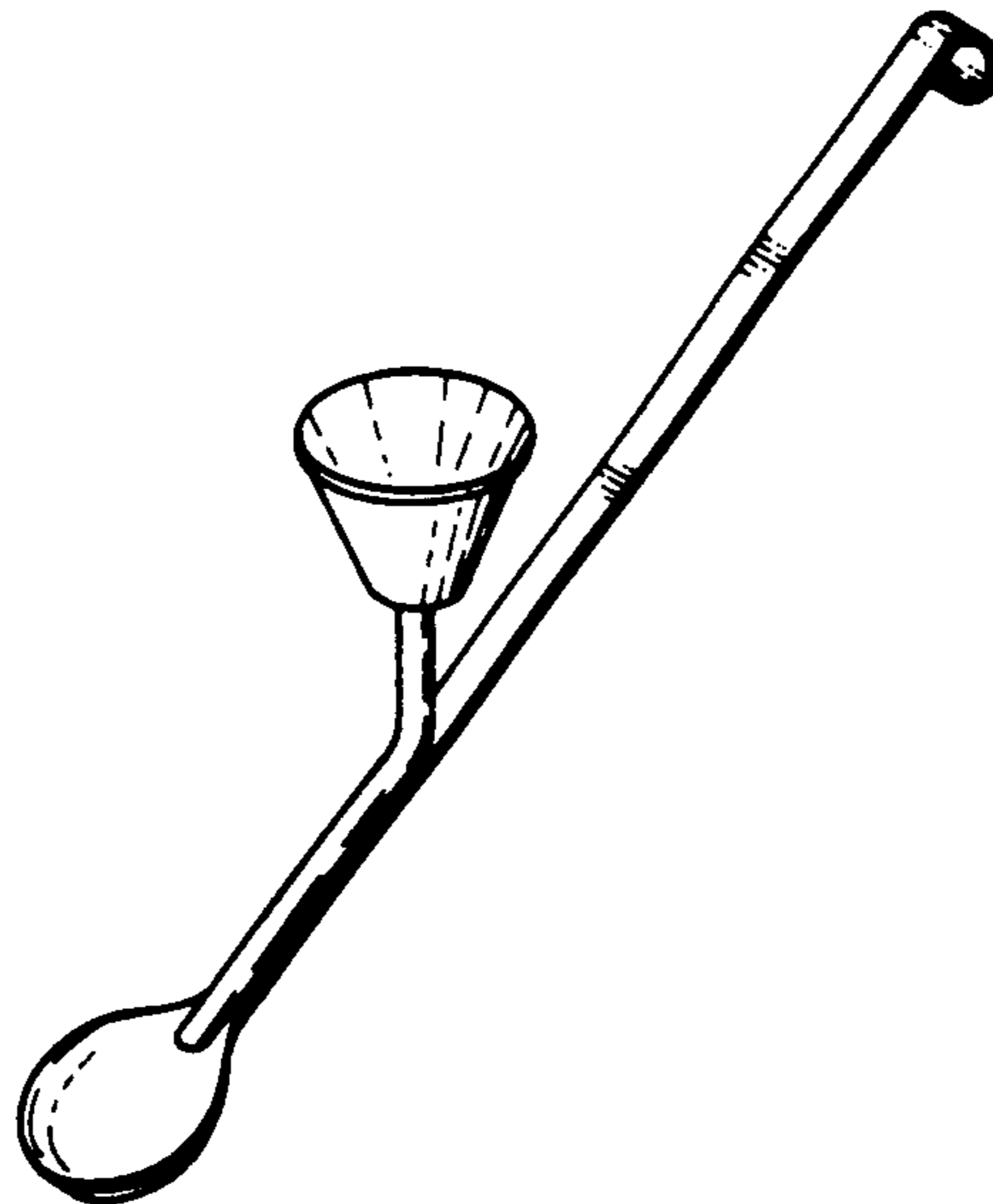
The ornamental design for a drink layering spoon, as shown and described.

DESCRIPTION

FIG. 1 is a top, front, and right side perspective view of a drink layering spoon showing my new design;
 FIG. 2 is a left side elevational view thereof;
 FIG. 3 is a top plan view thereof;
 FIG. 4 is a bottom plan view thereof;
 FIG. 5 is a front elevational view thereof; and
 FIG. 6 is a rear elevational view thereof.

[56] References Cited
 U.S. PATENT DOCUMENTS

D. 115,570 7/1939 Scrimgeour D7/653
 674,446 5/1901 Marx 30/141
 1,606,039 11/1926 Norman 30/141
 2,837,822 6/1958 Wille 30/125



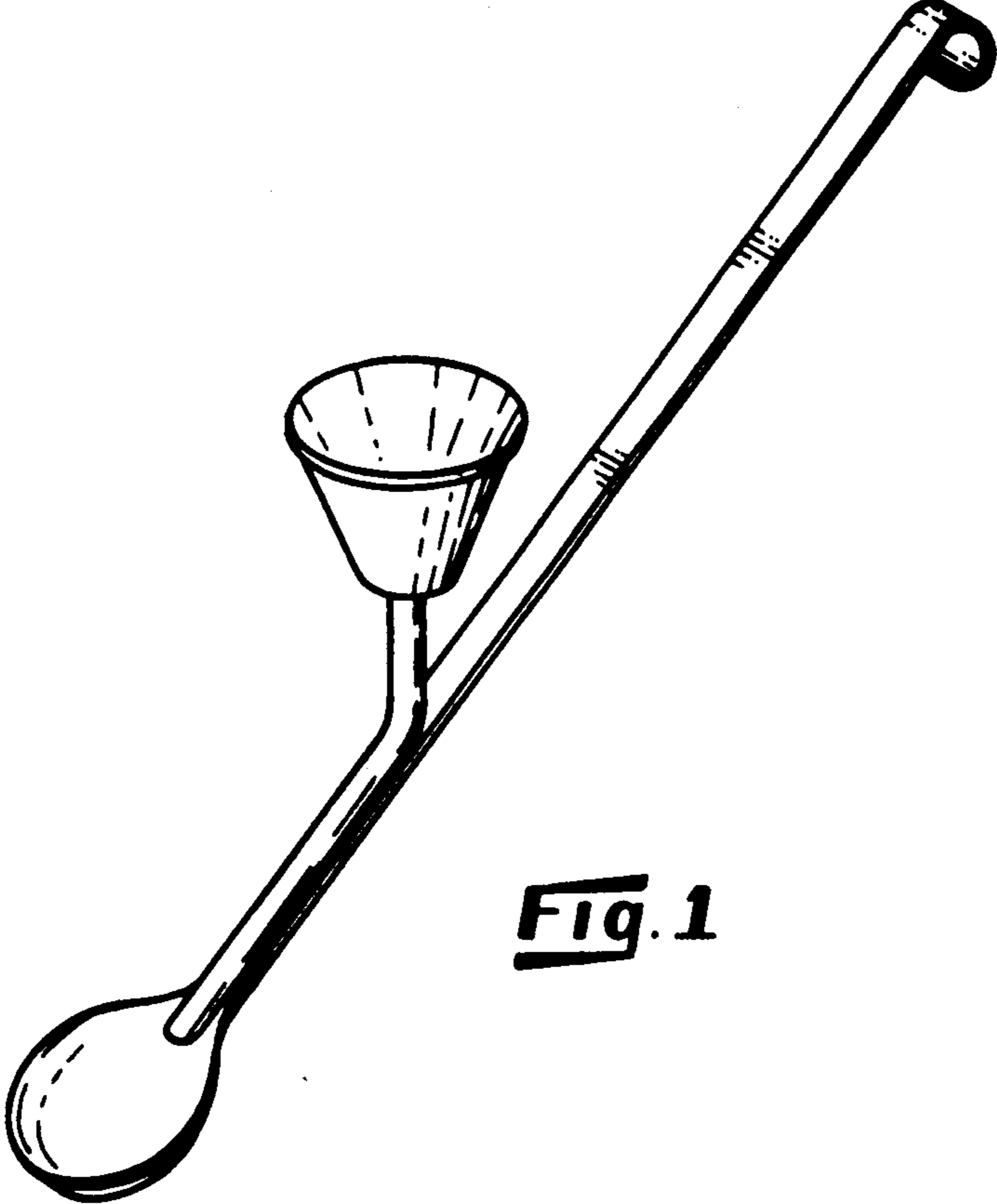


Fig. 1

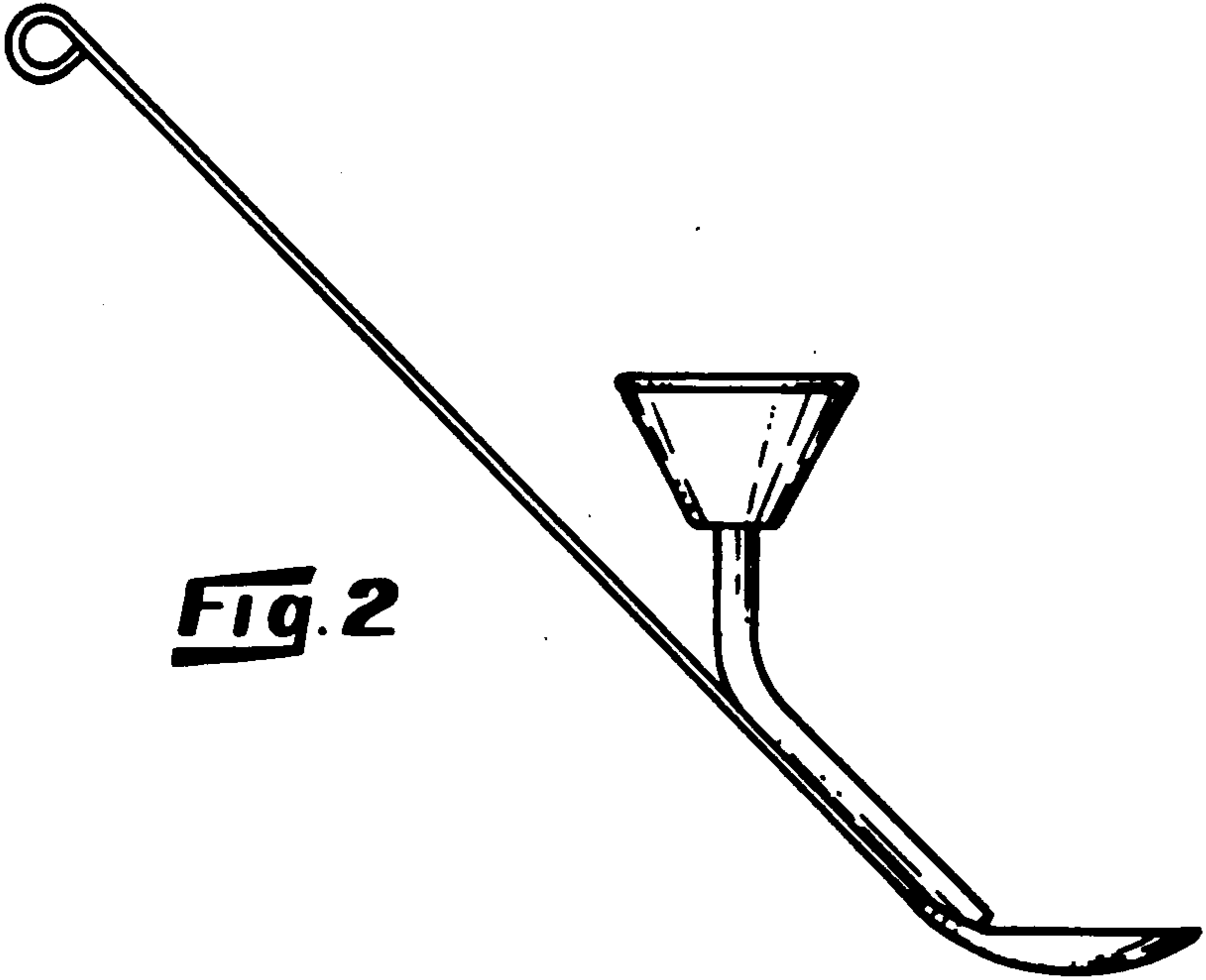


Fig. 2

