

# United States Patent [19]

Clark et al.

[11] Patent Number: Des. 317,102

[45] Date of Patent: \*\* May 28, 1991

[54] **FOOD CARRYING TRAY**

[76] Inventors: **Ian M. Clark; Diane W. Clark**, both of 46 Belorun Court, London, Ontario, Canada, N6K 3K8; **George P. Rickard**, 755 Northmile Road, London, Ontario, Canada, N6H 2X7

[\*\*] Term: **14 Years**

[21] Appl. No.: **208,633**

[22] Filed: **Jun. 20, 1988**

[30] **Foreign Application Priority Data**

Apr. 20, 1988 [CA] Canada ..... 2004889

[52] U.S. Cl. .... **D7/549; D7/553**

[58] Field of Search ..... **D9/341, 347; D7/549, D7/553, 554, 546, 547, 548, 555, 507, 543, 550, 551; 229/904; 294/172; 206/562, 565**

[56] **References Cited**

**U.S. PATENT DOCUMENTS**

2,875,940 3/1959 Dunn ..... 206/562  
3,145,848 8/1964 Wood ..... 229/904 X  
4,757,937 7/1988 Maio et al. .... 206/562 X

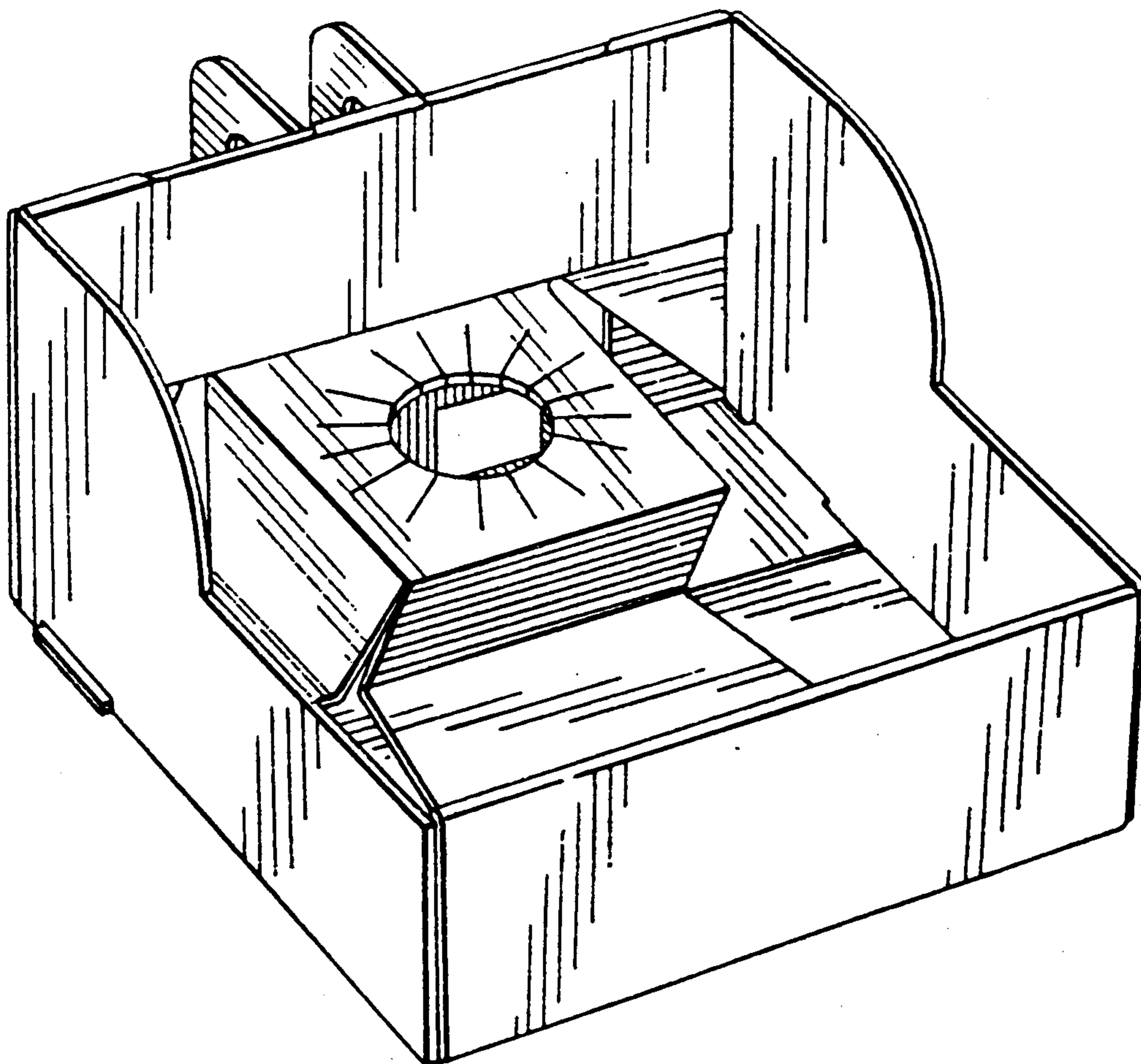
*Primary Examiner*—Winifred E. Herrmann  
*Attorney, Agent, or Firm*—Fleit, Jacobson, Cohn, Price, Holman & Stern

[57] **CLAIM**

The ornamental design for a food carrying tray, as shown and described.

**DESCRIPTION**

FIG. 1 is a top, front, and left side perspective view of a food carrying tray showing our new design; and FIG. 2 is a bottom, rear, and right side perspective view thereof.



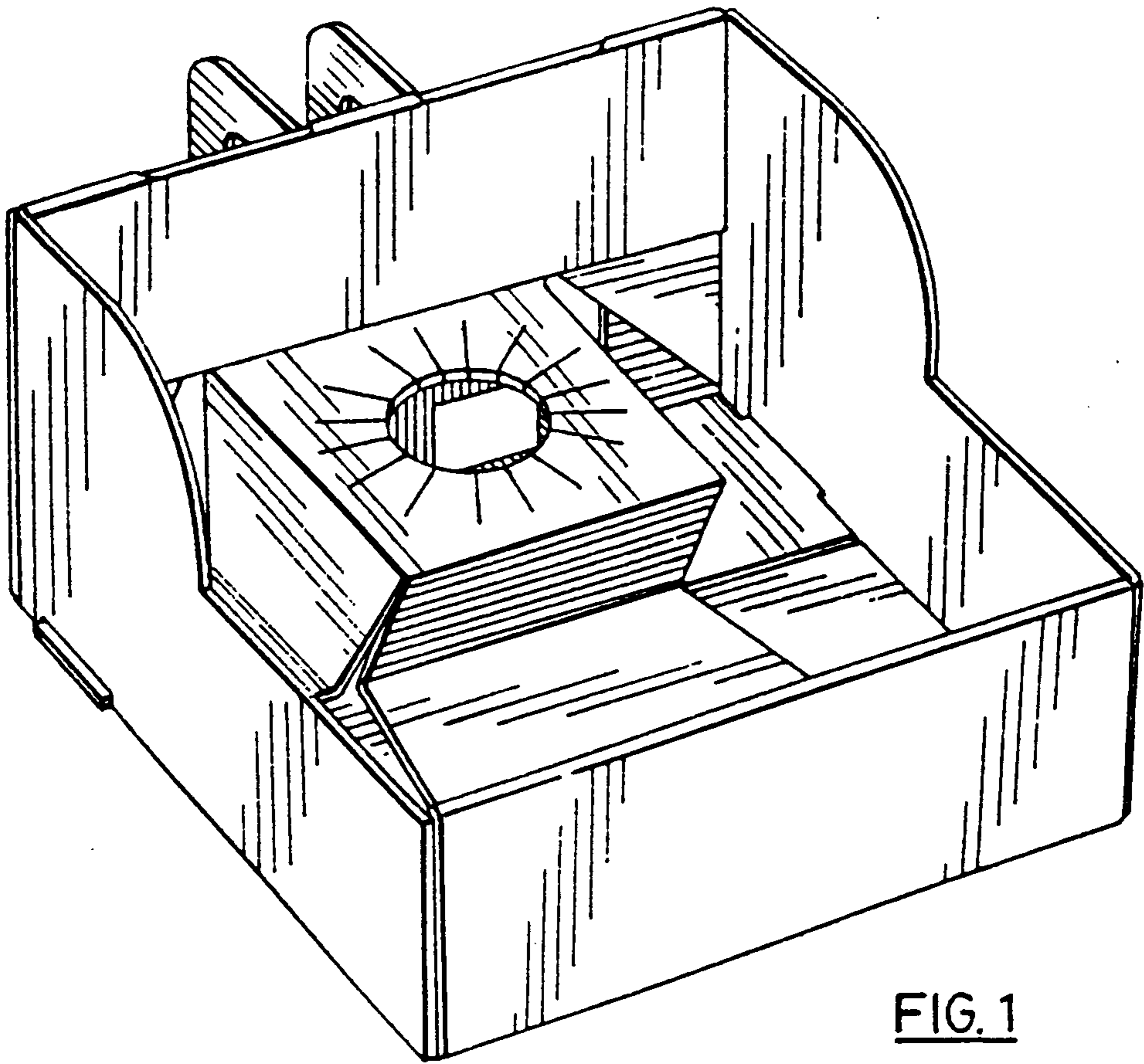


FIG. 1

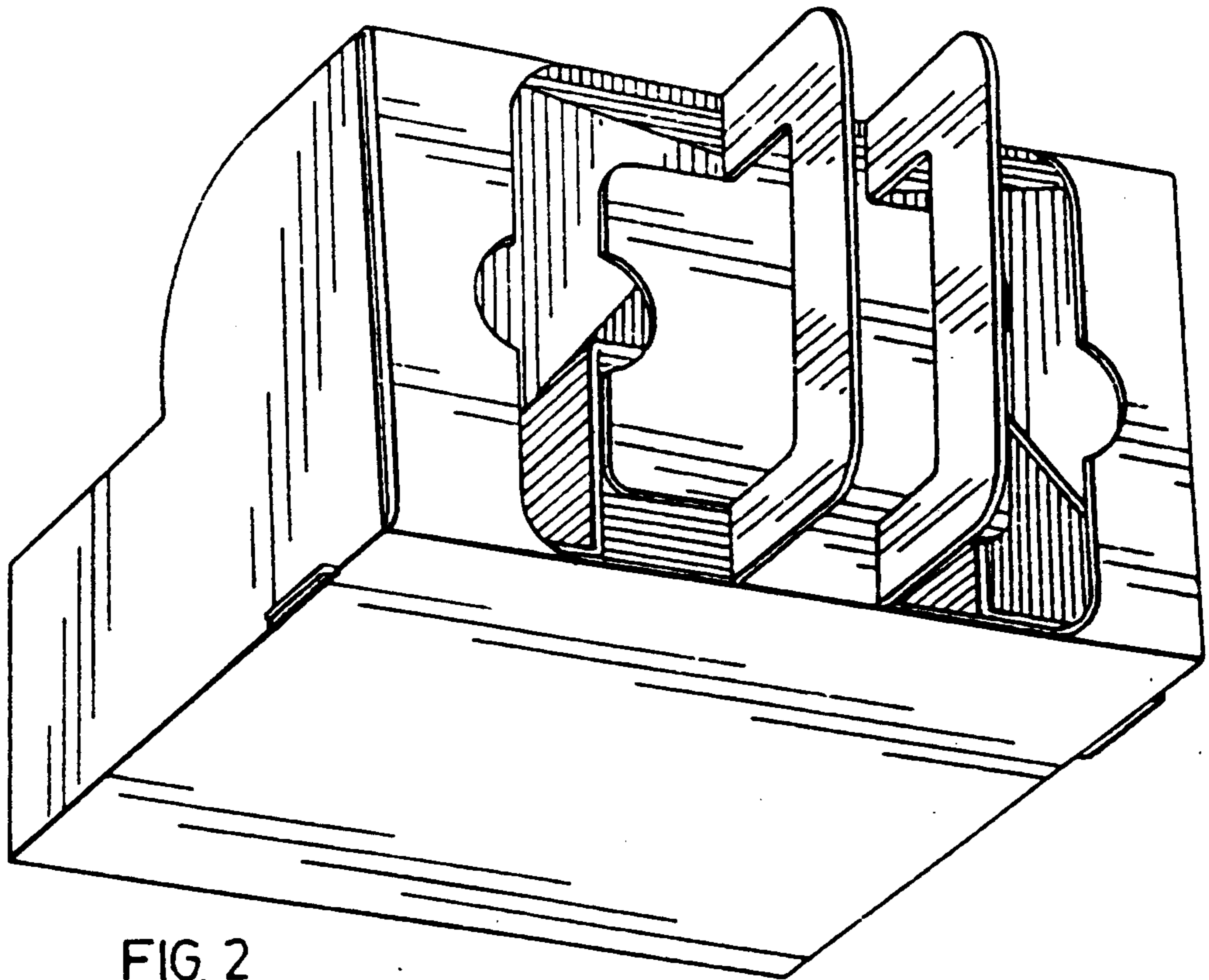


FIG. 2