

[54] SAFETY PANEL FOR ATTACHMENT TO A BED

[75] Inventor: Eric T. Shuler, Orchard Park, N.Y.

[73] Assignee: The Quaker Oats Company, Chicago, Ill.

[**] Term: 14 Years

[21] Appl. No.: 232,581

[22] Filed: Aug. 15, 1988

[52] U.S. Cl. D6/503

[58] Field of Search D6/382, 385-394, D6/503-507, 389, 360; 5/444, 425, 428

[56] References Cited

U.S. PATENT DOCUMENTS

- D. 177,765 5/1956 Komito D6/360
- 2,452,366 10/1948 Freund 5/444
- 2,703,413 3/1955 Klebanoff 5/425 X

- 2,720,878 10/1955 Hickman 5/444 X
- 2,904,799 9/1959 Berlin D6/391 X
- 2,952,855 9/1960 Zuti 5/444
- 4,215,446 8/1980 Mahoney 5/425

FOREIGN PATENT DOCUMENTS

- 2114880 9/1983 United Kingdom 5/444

Primary Examiner—Bruce W. Dunkins

Assistant Examiner—Janice E. Seeger

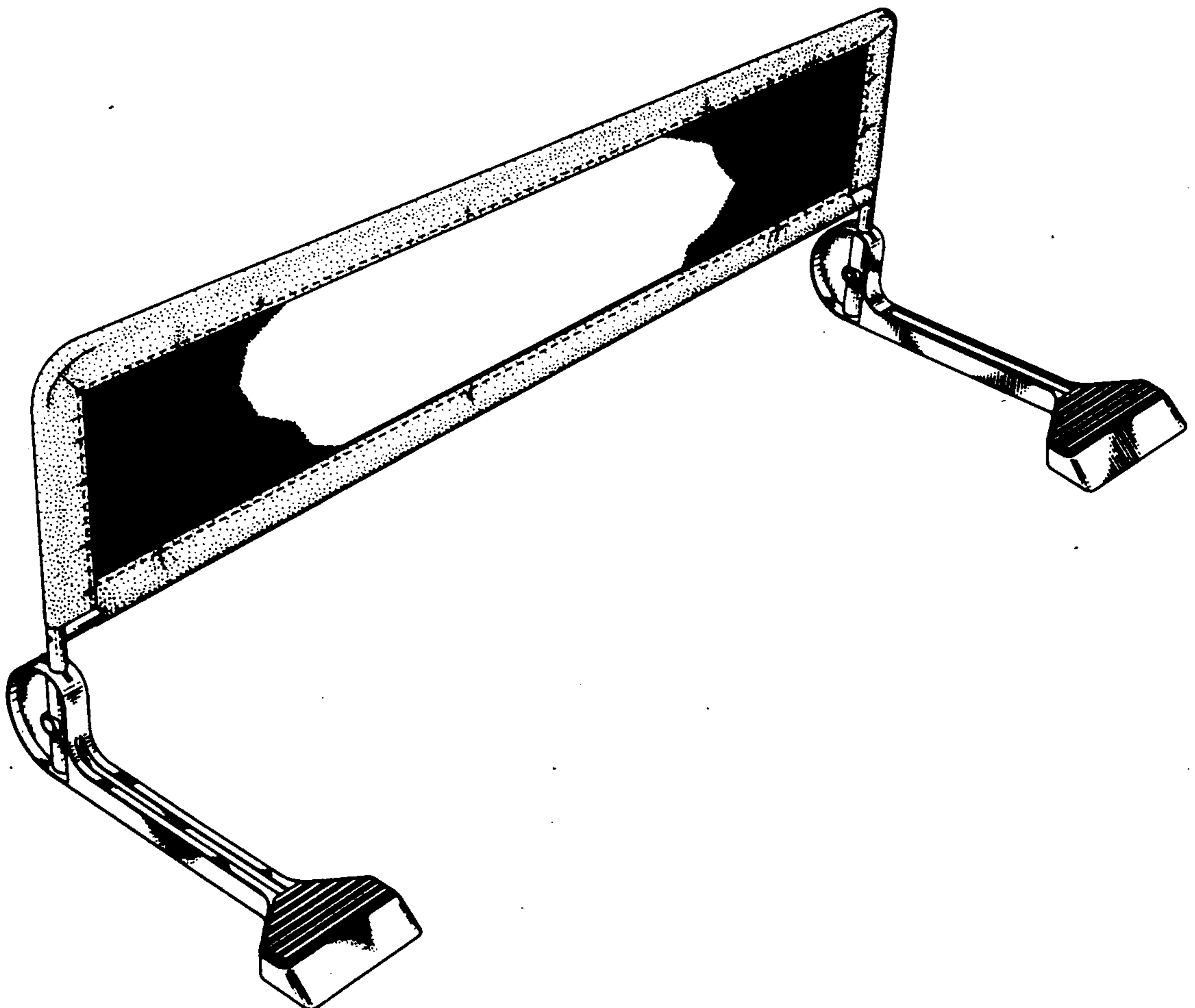
Attorney, Agent, or Firm—Cumpston & Shaw

[57] CLAIM

The ornamental design for a safety panel for attachment to a bed, as shown and described.

DESCRIPTION

FIG. 1 is a left front perspective view of a safety panel for attachment to a bed, showing my new design; and FIG. 2 is an enlarged fragmentary rear elevational view showing the right side thereof, the left side being substantially a mirror image.



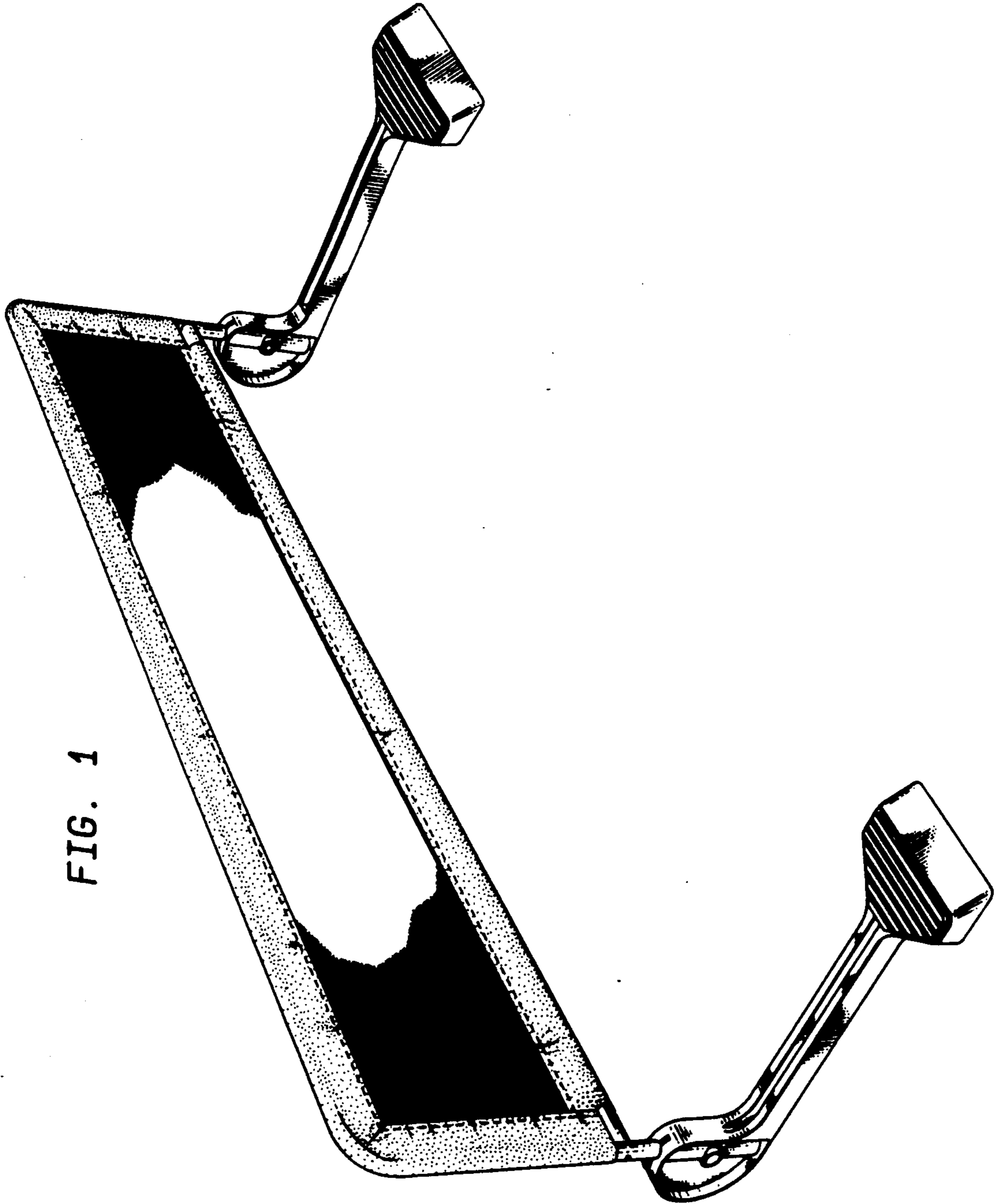


FIG. 1

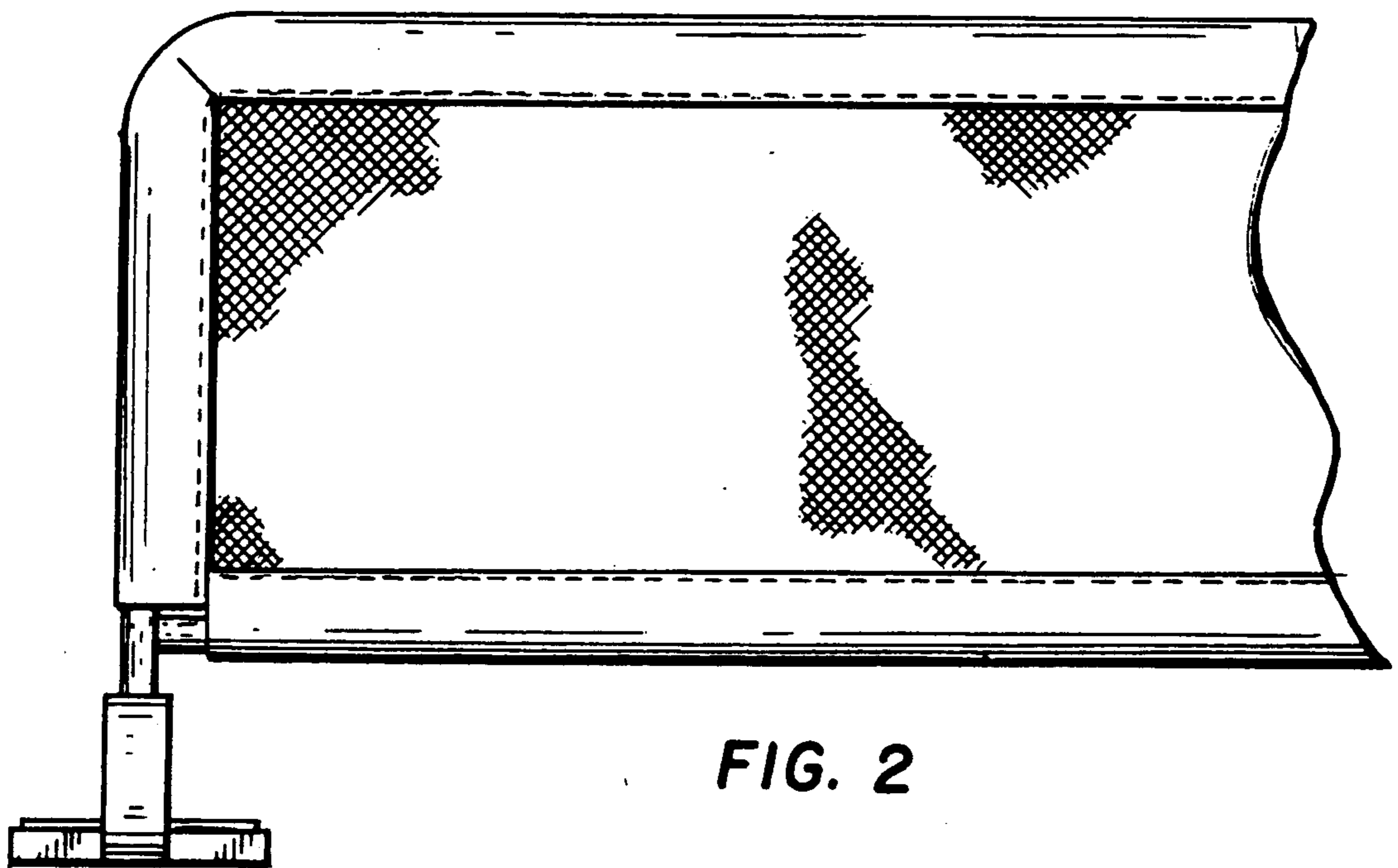


FIG. 2