

[54] SEAT FRAME

[75] Inventors: **Burkhard Vogtherr**,
Kandern-Holzen; **Manfred
Elzenbeck**, Steinheim/Murr, both of
Fed. Rep. of Germany

[73] Assignee: **Davis Furniture Industries, Inc.**, High
Point, N.C.

[**] Term: **14 Years**

[21] Appl. No.: **205,785**

[22] Filed: **Jun. 13, 1988**

[52] U.S. Cl. **D6/500**

[58] Field of Search **D6/491, 495, 496, 498,
D6/499-502, 486, 366, 393, 480, 482, 489, 363;
297/300, 292, 285, 457**

[56] **References Cited**

U.S. PATENT DOCUMENTS

- D. 274,483 7/1984 Caruso D6/366
- D. 274,675 7/1984 Diffrient D6/366
- D. 309,385 7/1990 Buhk D6/366

- 4,429,917 2/1984 Diffrient 297/300
- 4,840,426 6/1989 Vogtherr et al. 297/300

OTHER PUBLICATIONS

Interiors, Sep. 1982, p. 73, Knoll.
Sunar 83, Office Systems Furn. Collections & Objects,
chair at bottom.

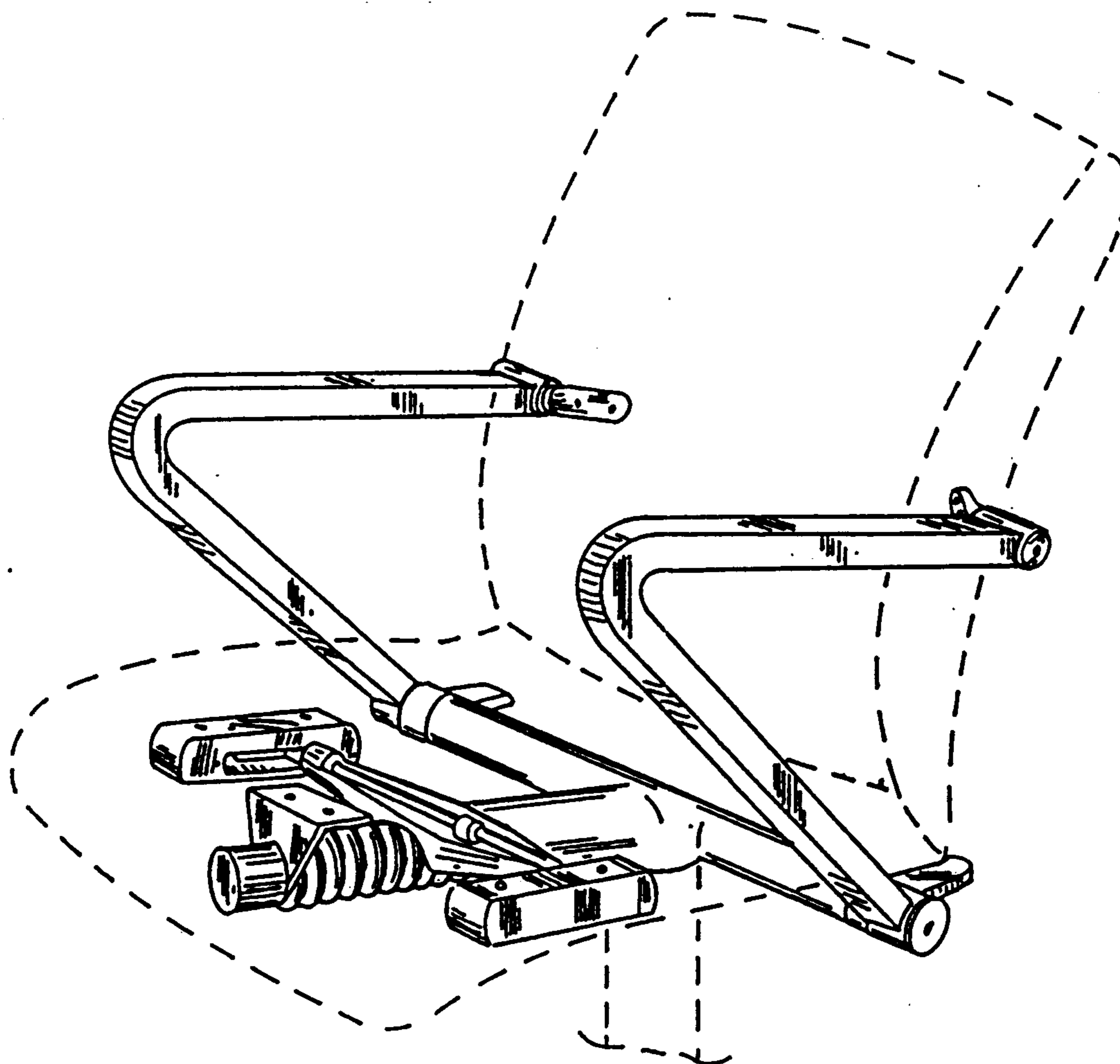
Primary Examiner—Bruce W. Dunkins
Assistant Examiner—Janice E. Seeger
Attorney, Agent, or Firm—Rhodes, Coats & Bennett

[57] **CLAIM**

The ornamental design for a seat frame, as shown and
described.

DESCRIPTION

FIG. 1 is a top perspective view of a seat frame, show-
ing our new design;
FIG. 2 is a side elevational view, the opposite side being
a mirror image thereof;
FIG. 3 is a top plan view; and
FIG. 4 is a bottom perspective view thereof.
The broken lines are for illustrative purposes only.



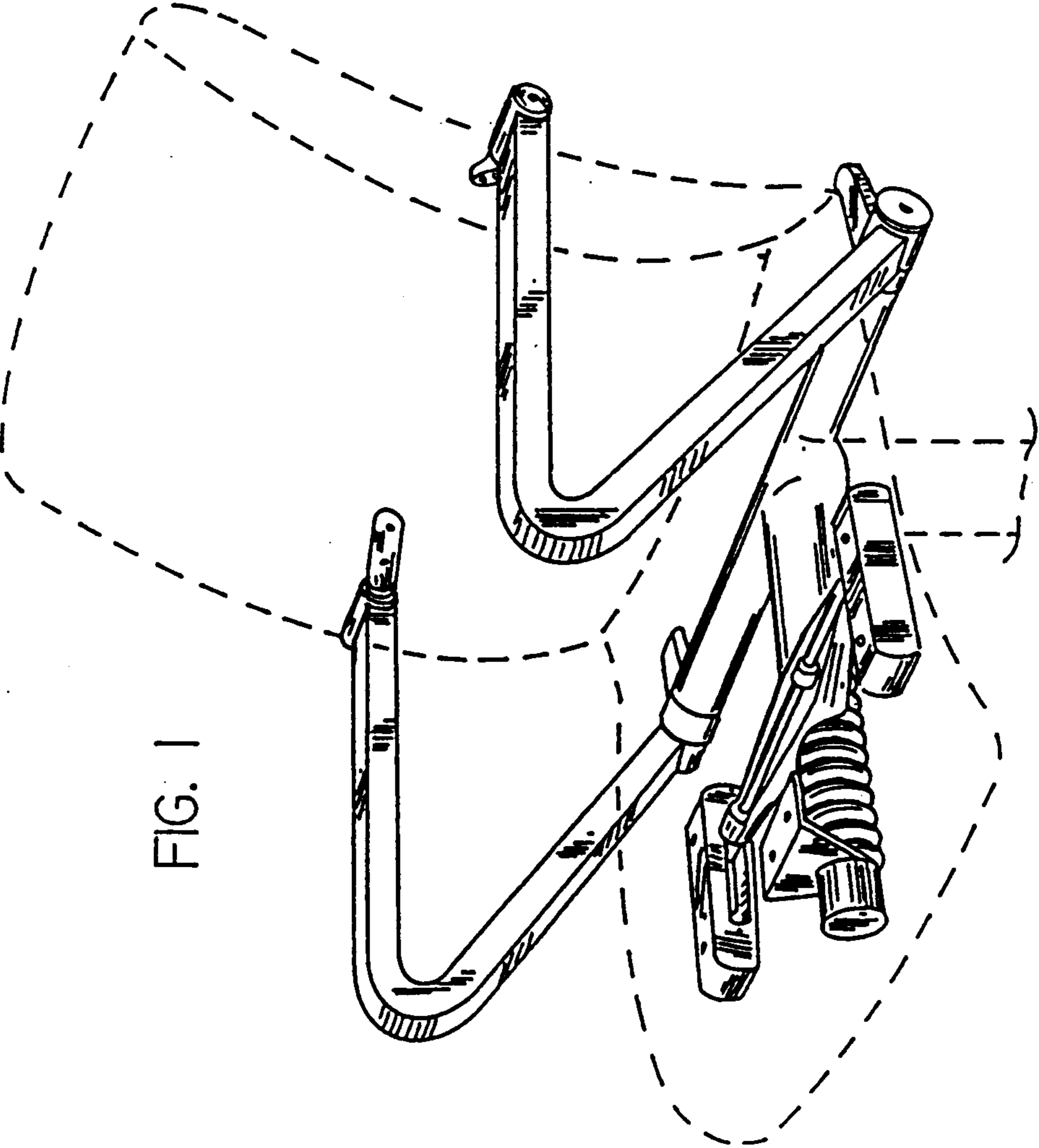
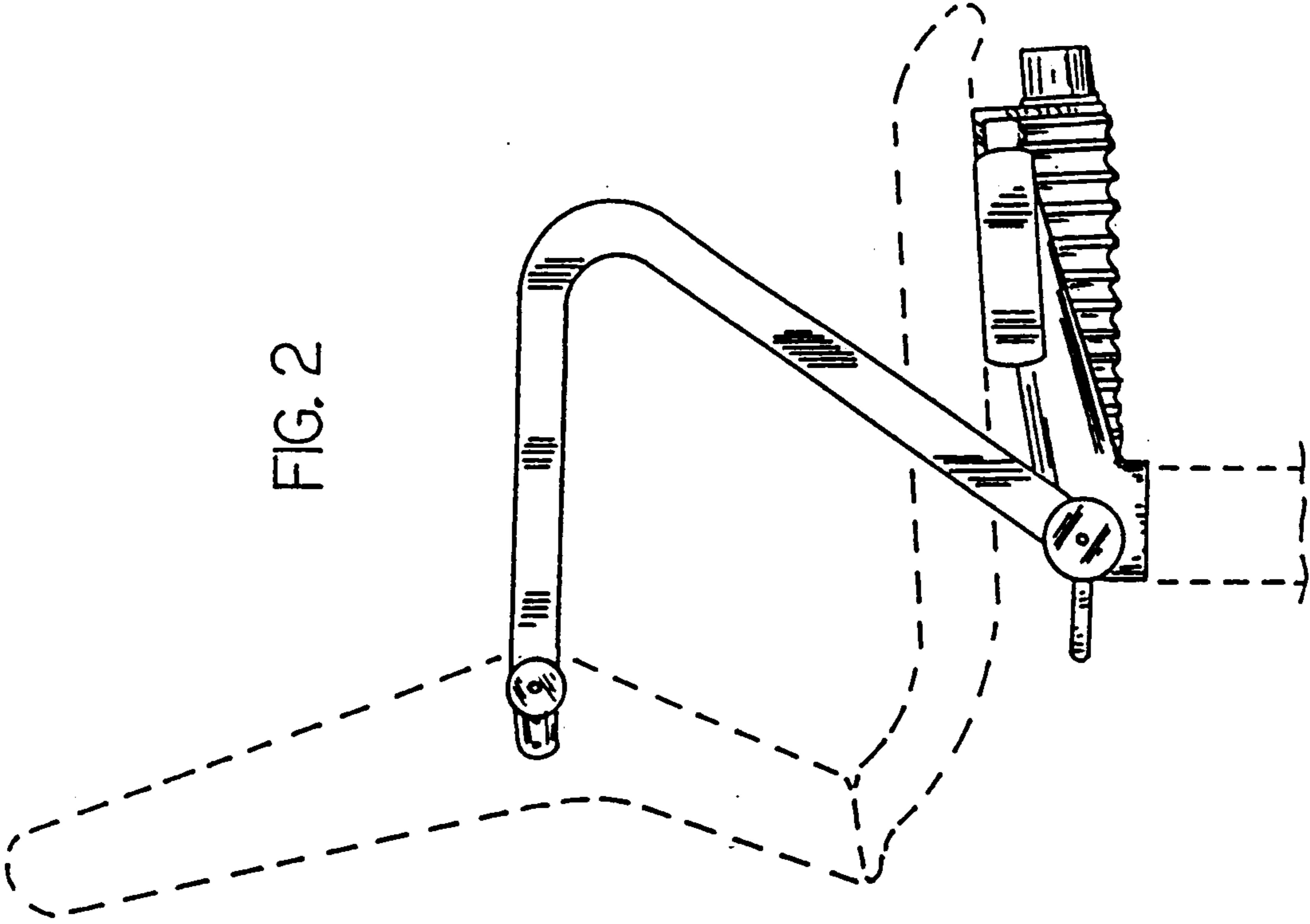


FIG. 1

FIG. 2

FIG. 3

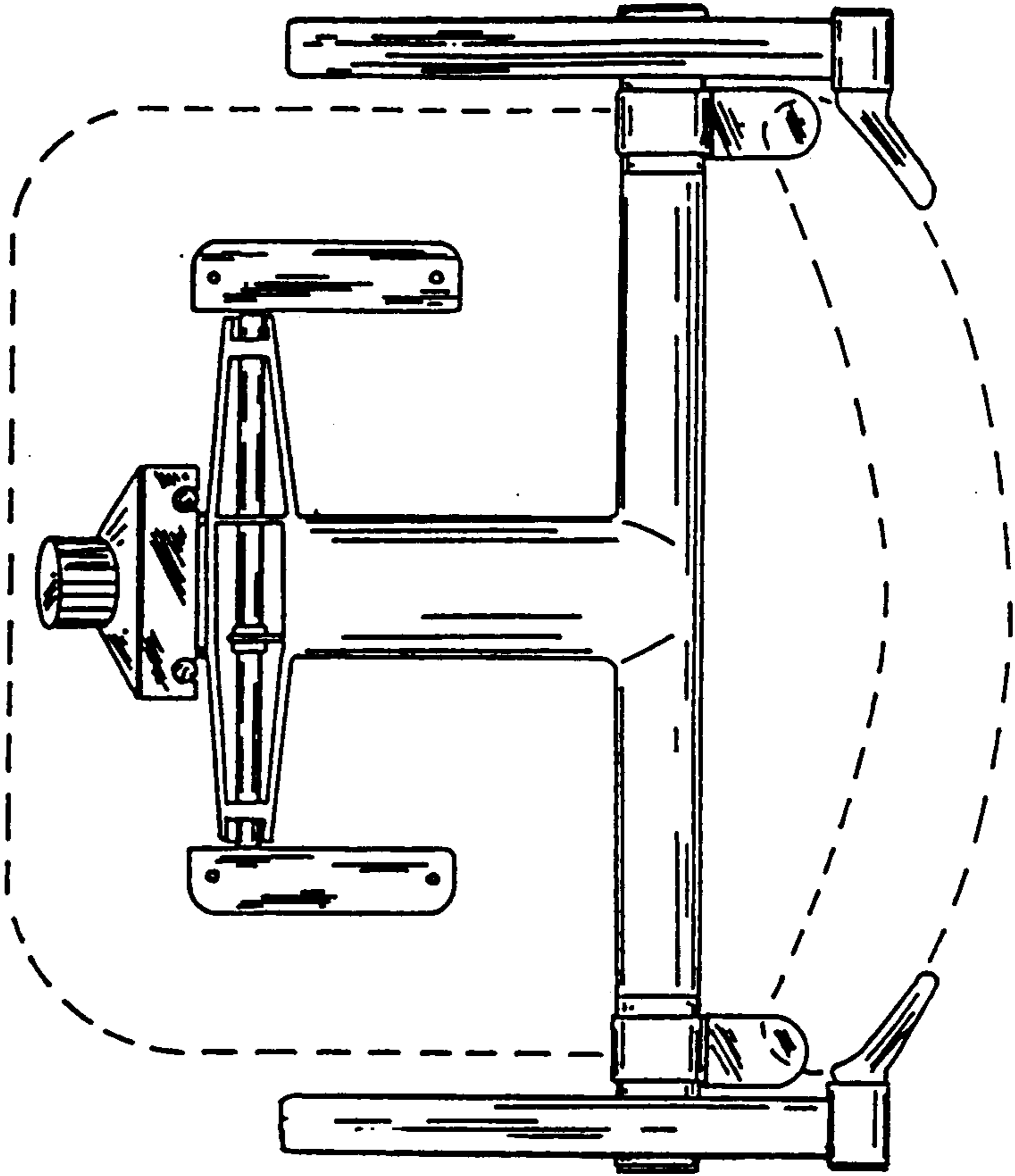


FIG. 4

