

[54] DESK

[75] Inventor: Seiji Koguma, Warabi, Japan

[73] Assignee: Okamura Corporation, Japan

[\*\*] Term: 14 Years

[21] Appl. No.: 205,469

[22] Filed: Jun. 10, 1988

[30] Foreign Application Priority Data

Jan. 14, 1988 [JP] Japan ..... 63-864

[52] U.S. Cl. .... D6/426

[58] Field of Search ..... D6/420-428,  
D6/429-431, 480-484; 312/194-196; 108/59,  
60, 143

[56] References Cited

U.S. PATENT DOCUMENTS

- D. 239,350 3/1976 Vogt ..... D6/426
- D. 278,583 4/1985 Koguma ..... D6/426
- D. 280,272 8/1985 Sottsass et al. .... D6/422
- D. 292,154 10/1987 Worrell et al. .... D6/480 X

- D. 294,440 3/1988 Werner ..... D6/422
- D. 297,190 8/1988 Arnott ..... D6/429
- D. 305,585 1/1990 Wright ..... D6/426
- D. 307,519 5/1990 Wright ..... D6/428 X

FOREIGN PATENT DOCUMENTS

- 1250029 11/1960 France ..... 312/196
- 695766 9/1986 Japan .
- 695769 9/1986 Japan .

Primary Examiner—Carmen H. Vales-Lado  
Attorney, Agent, or Firm—Davis, Bujold & Streck

[57] CLAIM

The ornamental design for a desk, as shown.

DESCRIPTION

FIG. 1 is a front elevational view of a desk showing my new design;  
 FIG. 2 is a top plan view thereof;  
 FIG. 3 is a rear elevational view thereof;  
 FIG. 4 is a bottom plan view thereof;  
 FIG. 5 is a right side elevational view thereof; and  
 FIG. 6 is a sectional view taken along line 6—6 of FIG. 1.

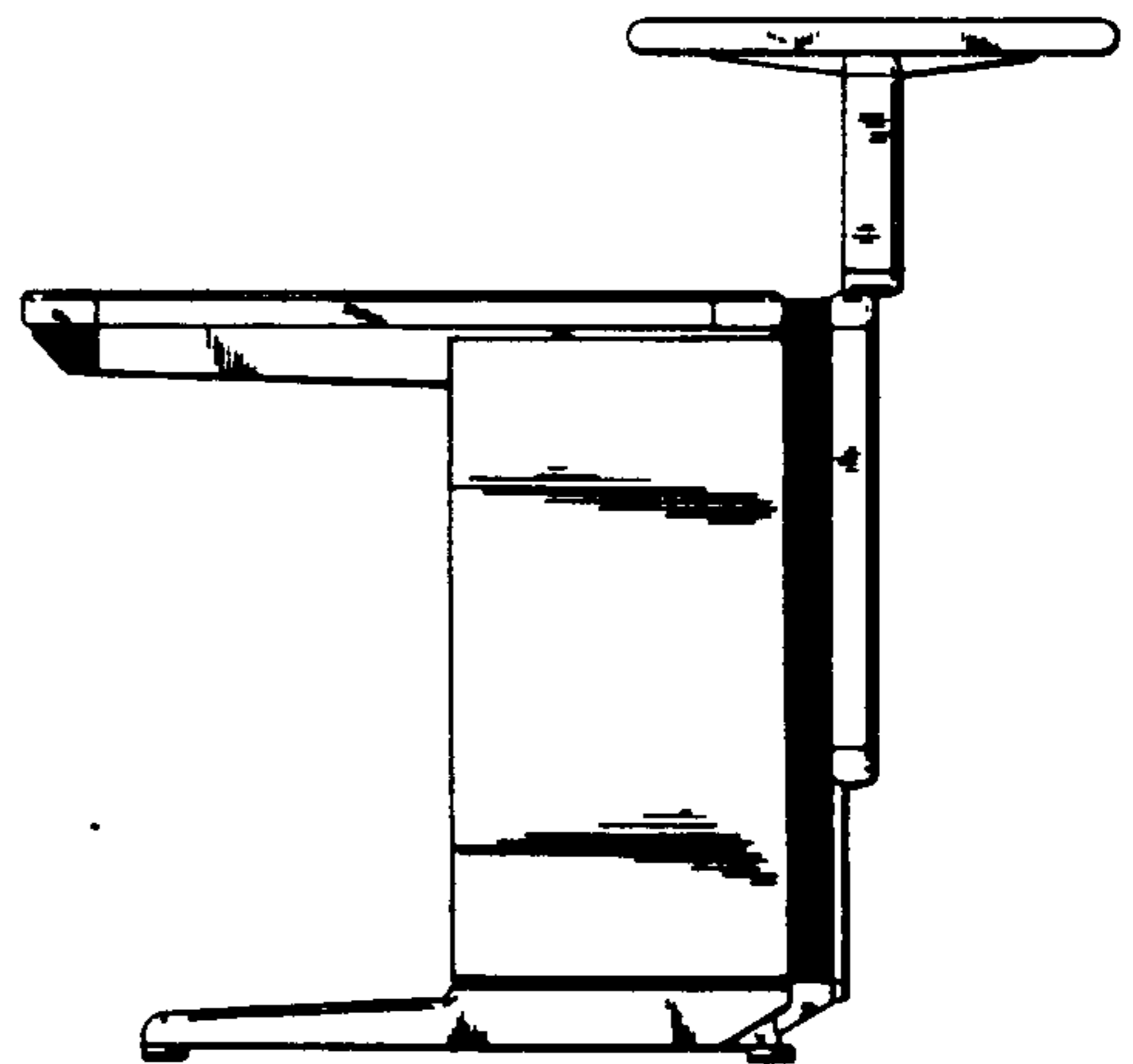
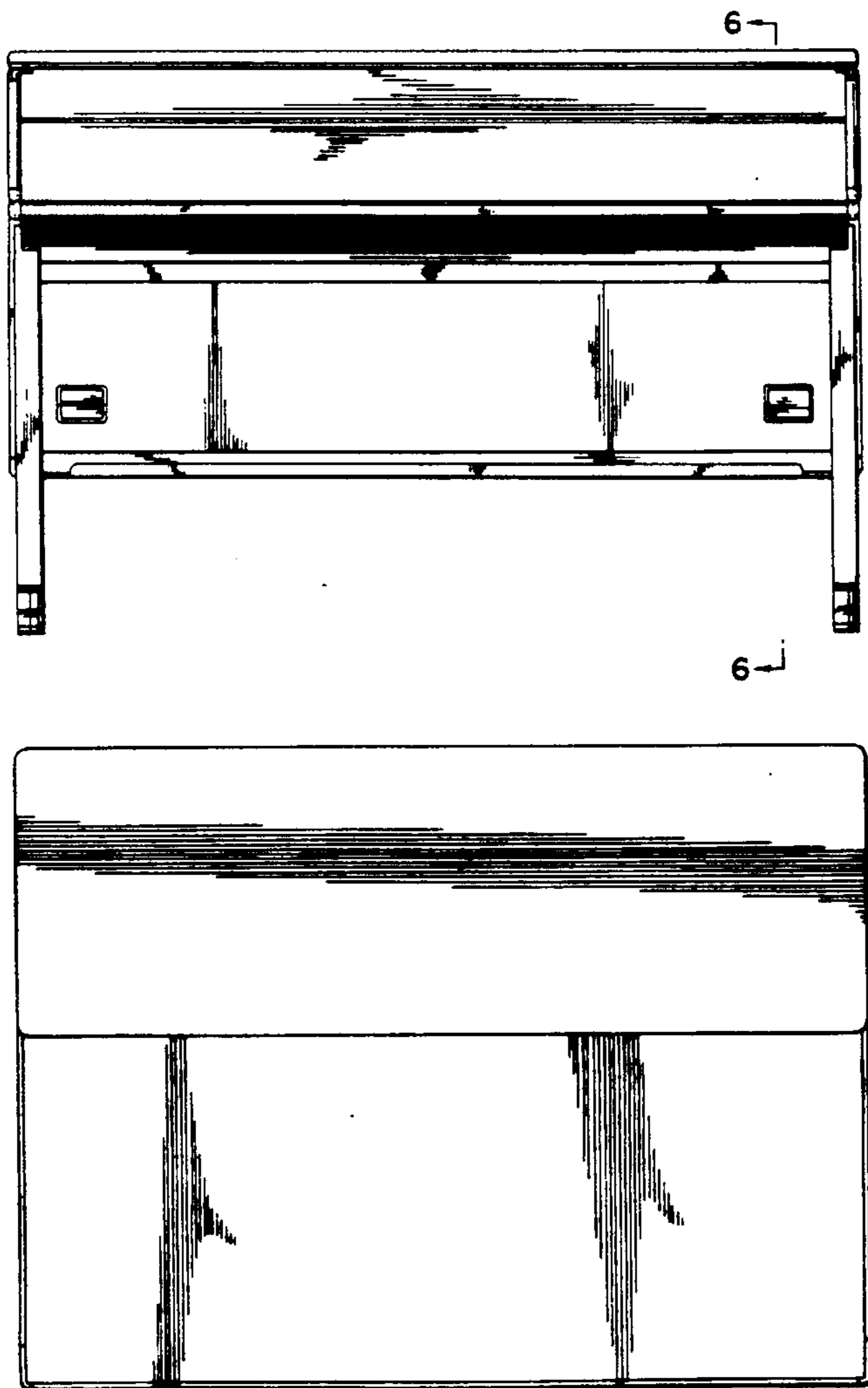


FIG. 1

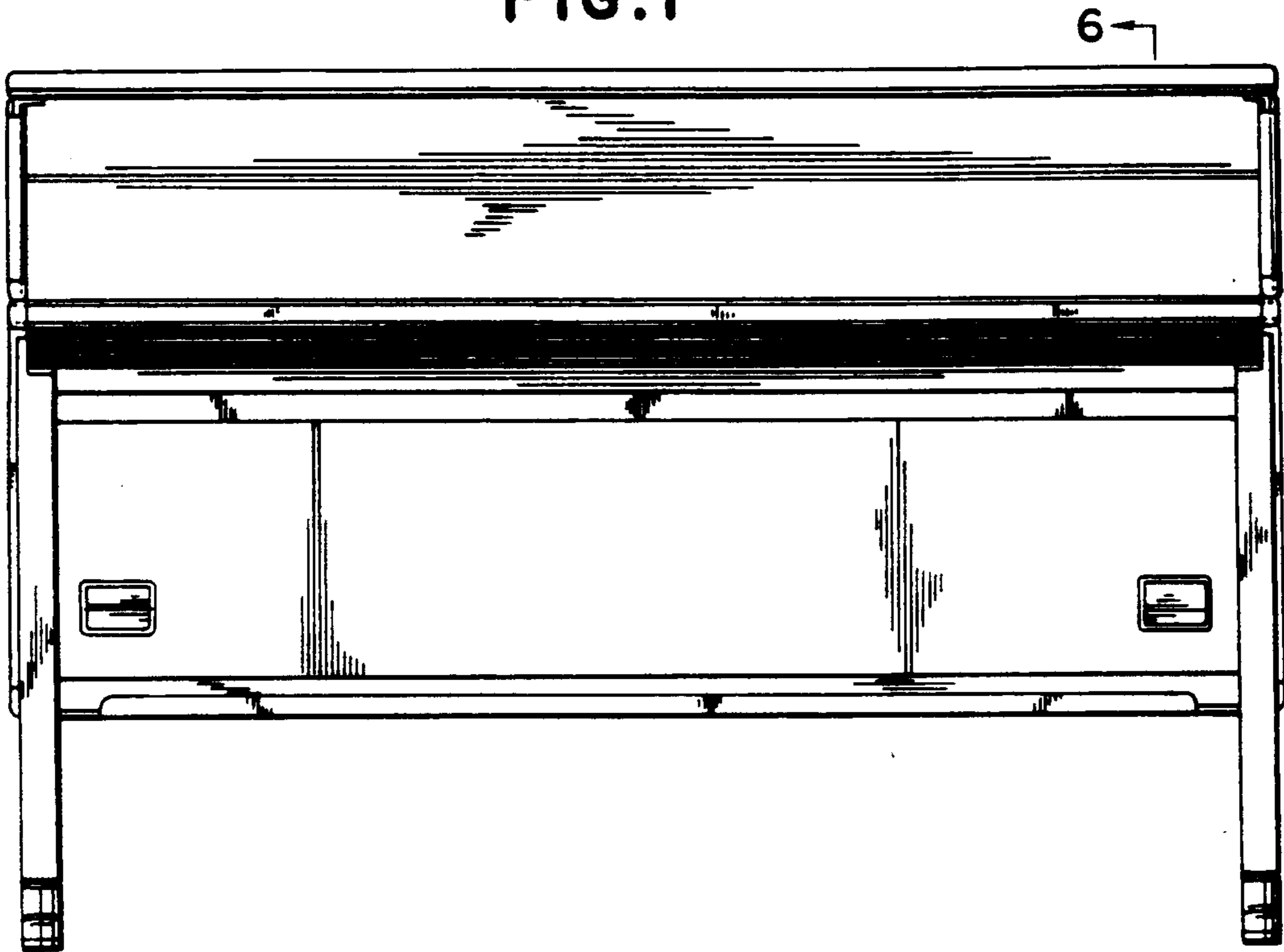


FIG. 2

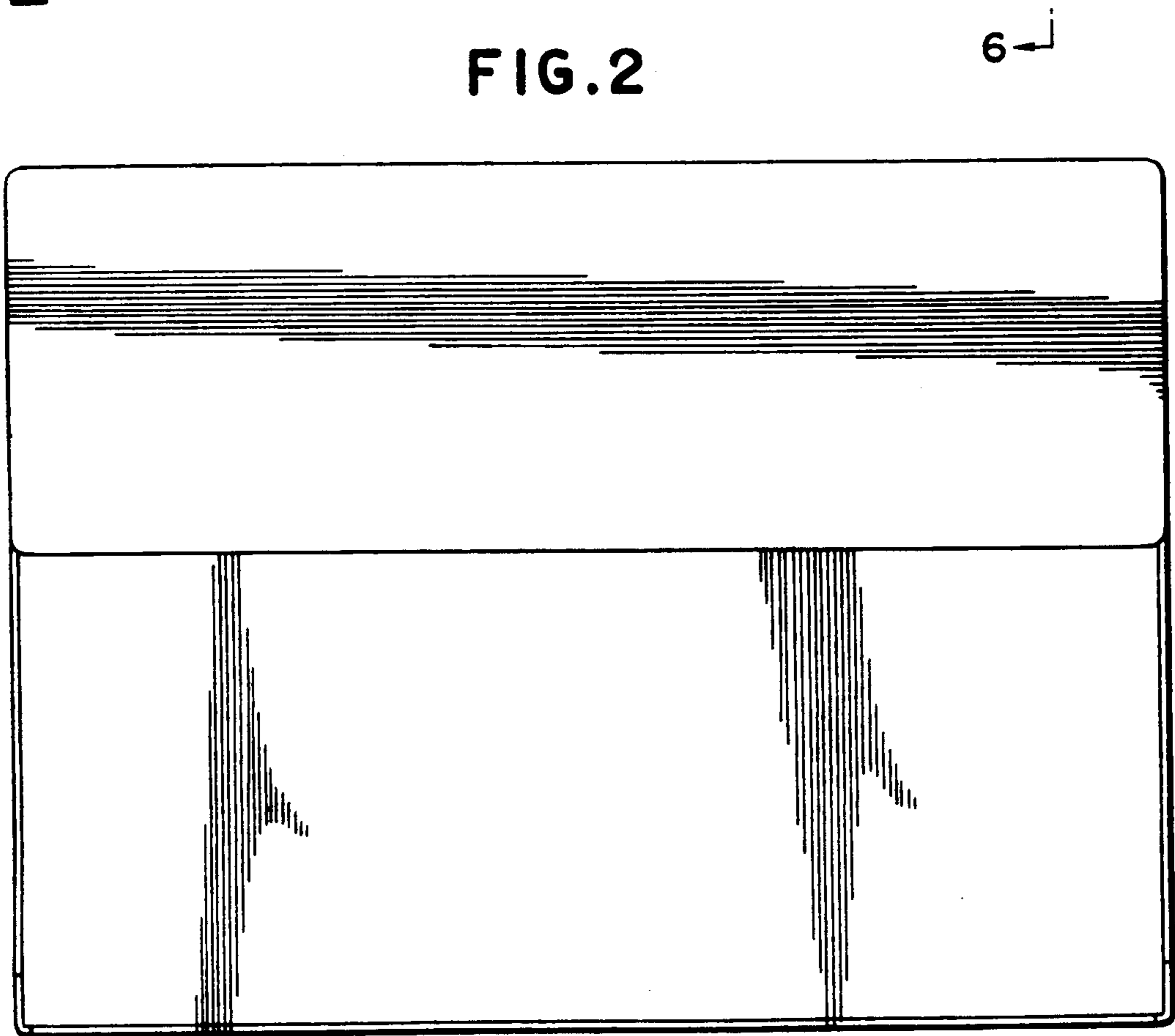


FIG. 3

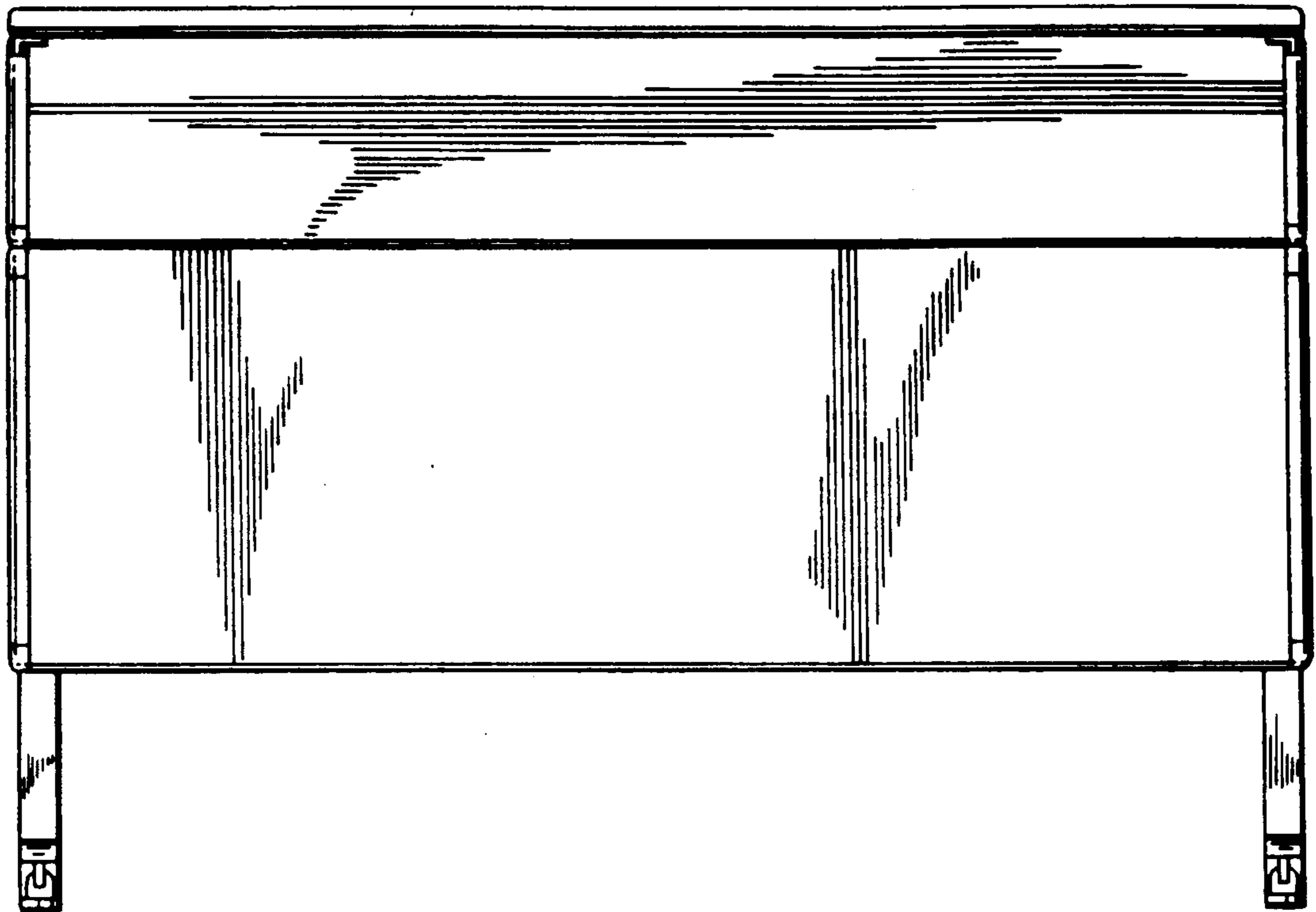


FIG. 4

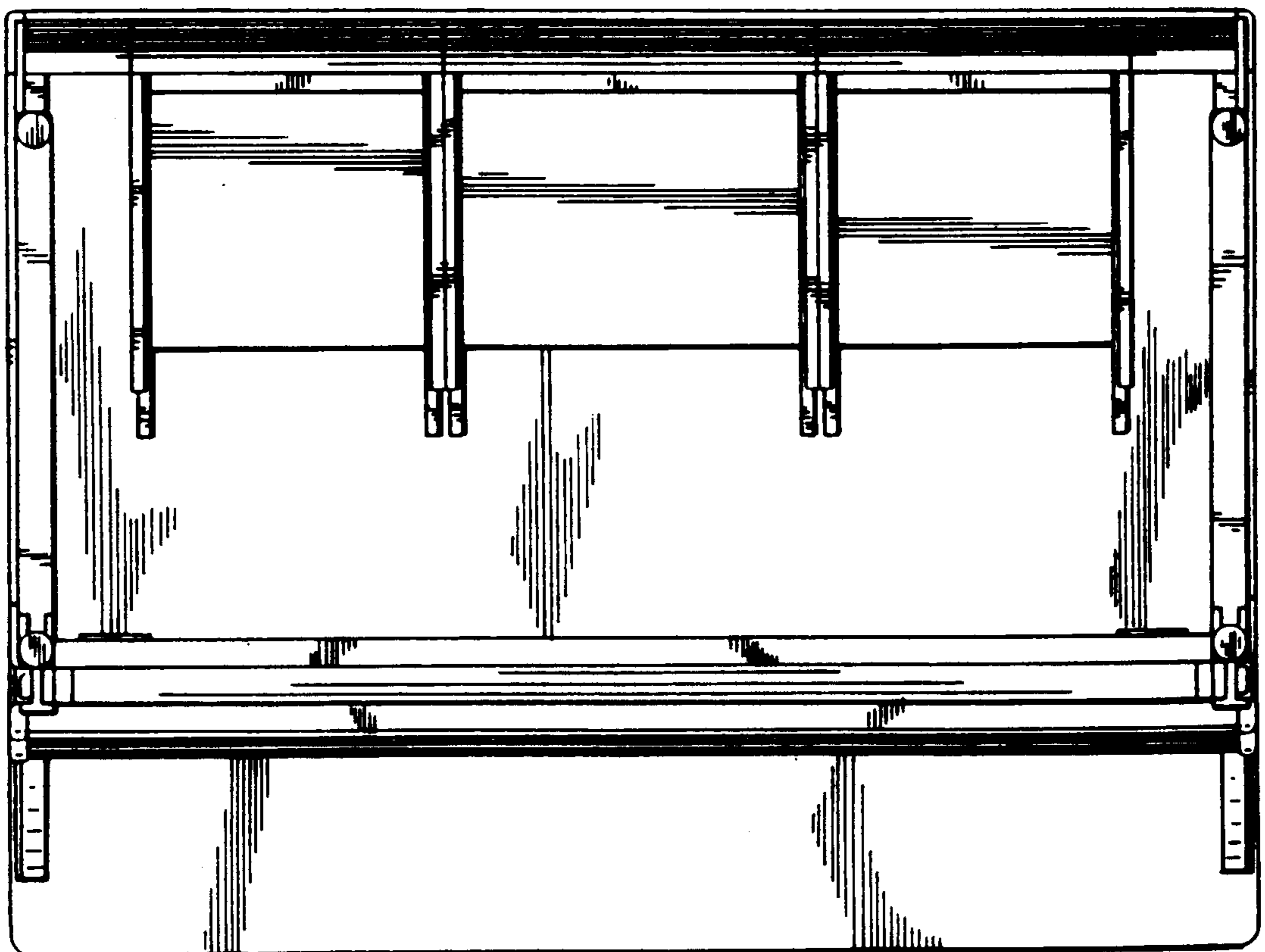


FIG. 5

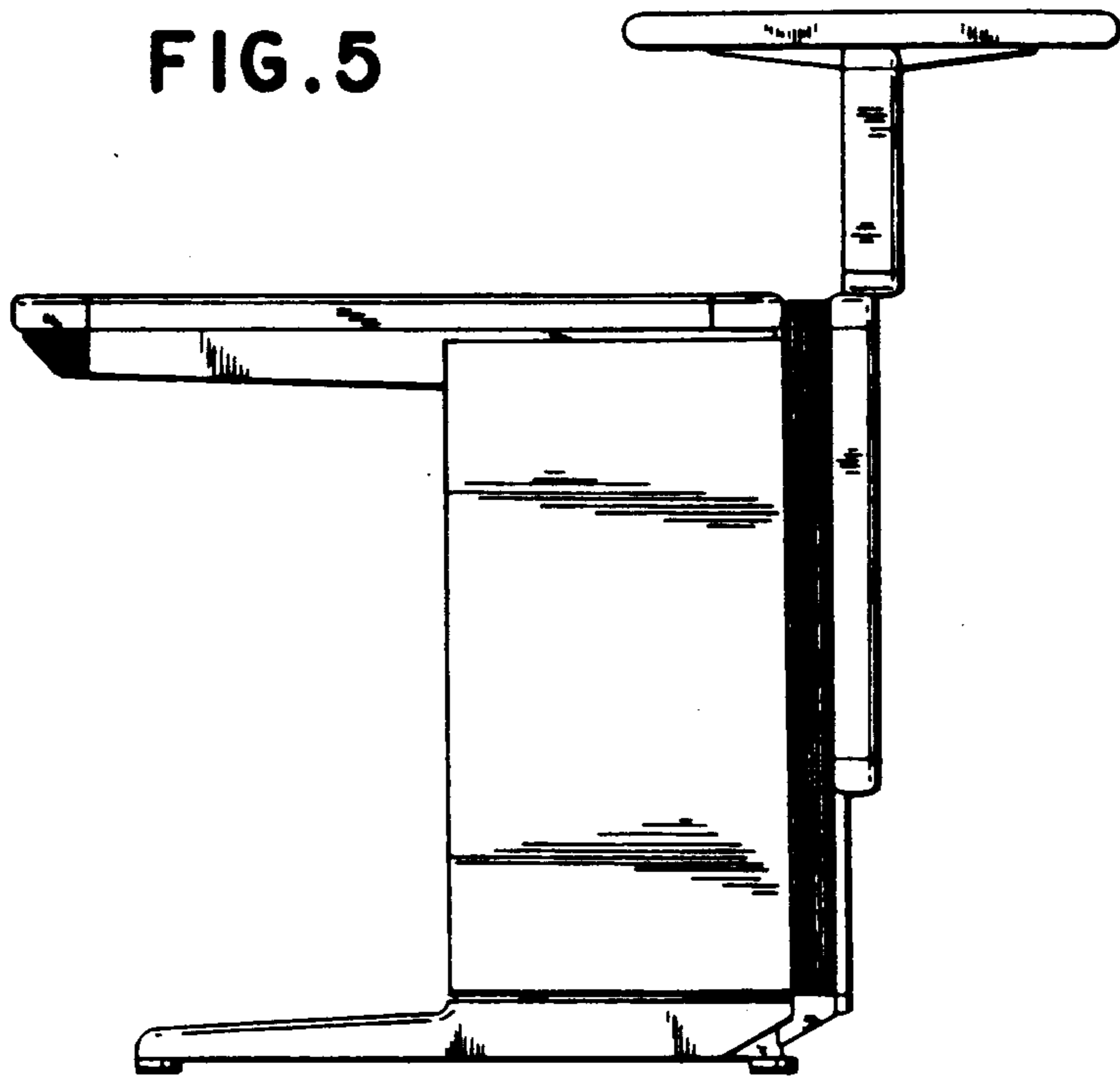


FIG. 6

