

[54] MAIL SORTING DESK

[75] Inventors: John D. Coleman; Eric A. Schneider, both of Philadelphia, Pa.

[73] Assignee: Opex Corporation, Morrestown, N.J.

[**] Term: 14 Years

[21] Appl. No.: 475,091

[22] Filed: Feb. 5, 1990

[52] U.S. Cl. D6/422; D15/147

[58] Field of Search D6/422; D15/199, 147, D15/145; 209/900

4,168,004	9/1979	Owen	209/900 X
4,250,028	2/1981	Talyzin et al.	209/900 X
4,578,759	3/1986	Horii	209/900 X
4,891,088	1/1990	Svyatsky	209/900 X
4,921,107	5/1990	Hofer	209/900 X

Primary Examiner—Bruce W. Dunkins
Assistant Examiner—Jeffrey Asch
Attorney, Agent, or Firm—Weiser & Stapler

[57] CLAIM

The ornamental design for a mail sorting desk, as shown.

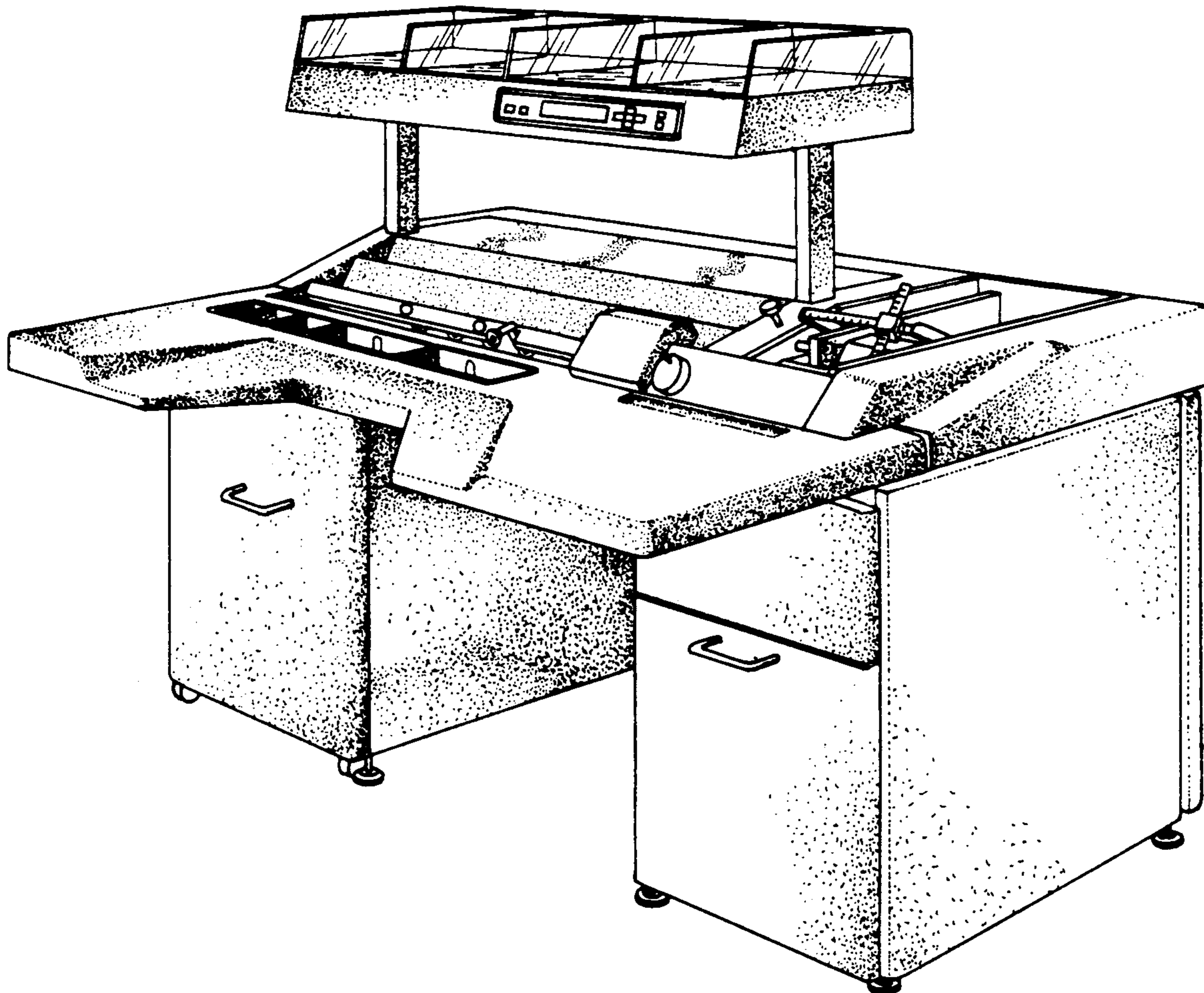
DESCRIPTION

FIG. 1 is a perspective view of a mail sorting desk showing our new design;
FIG. 2 is a top plan view thereof;
FIG. 3 is a front elevational view thereof;
FIG. 4 is a right side elevational view thereof;
FIG. 5 is a rear elevational view thereof; and
FIG. 6 is a left side elevational view thereof.

[56] References Cited

U.S. PATENT DOCUMENTS

D. 243,712	3/1977	Morris et al.	D15/145 X
D. 261,459	10/1981	Berman et al.	D6/422
D. 277,624	2/1985	Stevens et al.	D6/422
D. 299,354	1/1989	Panini	D15/199
D. 309,617	7/1990	Bain	D15/147 X



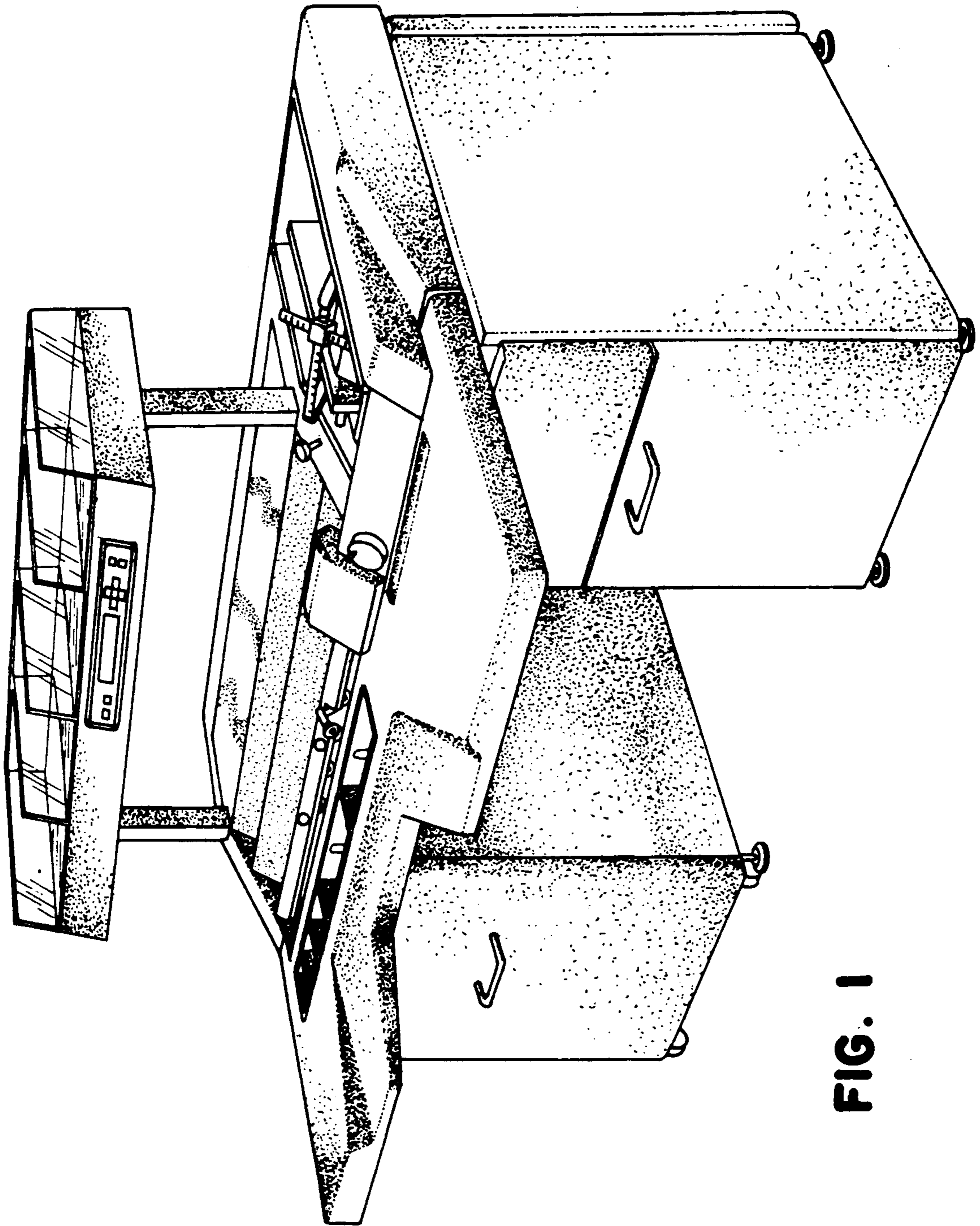


FIG. 1

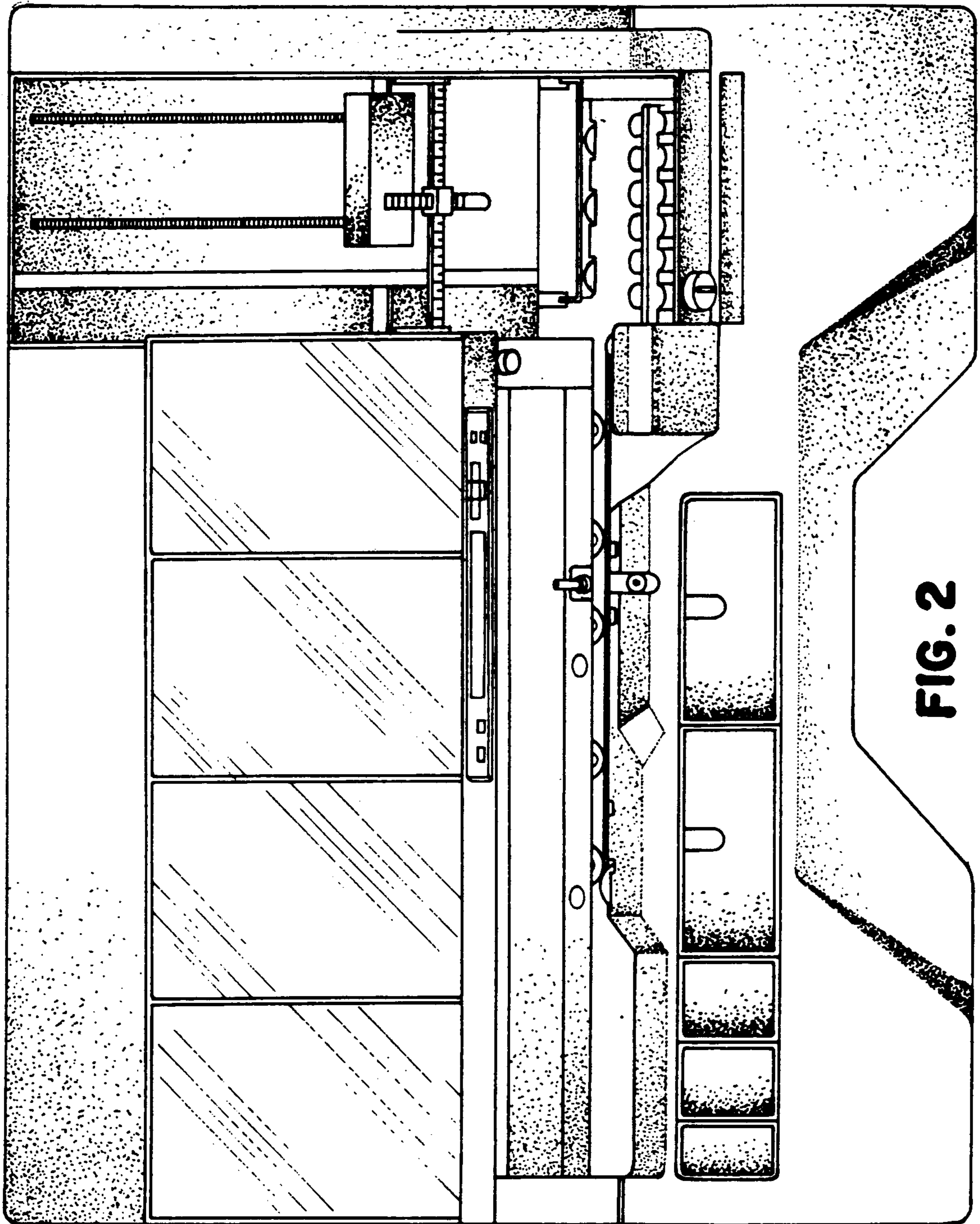


FIG. 2

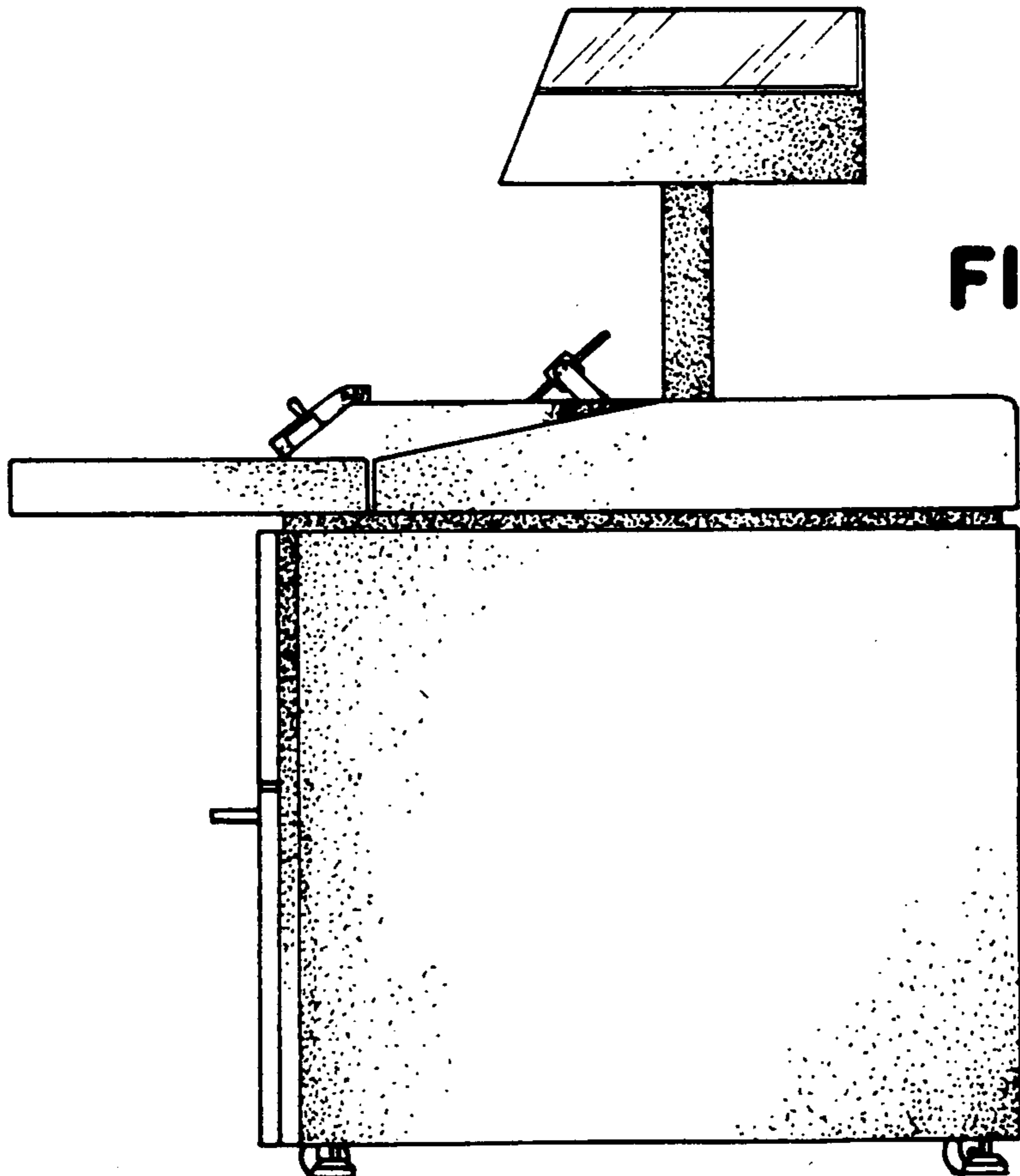
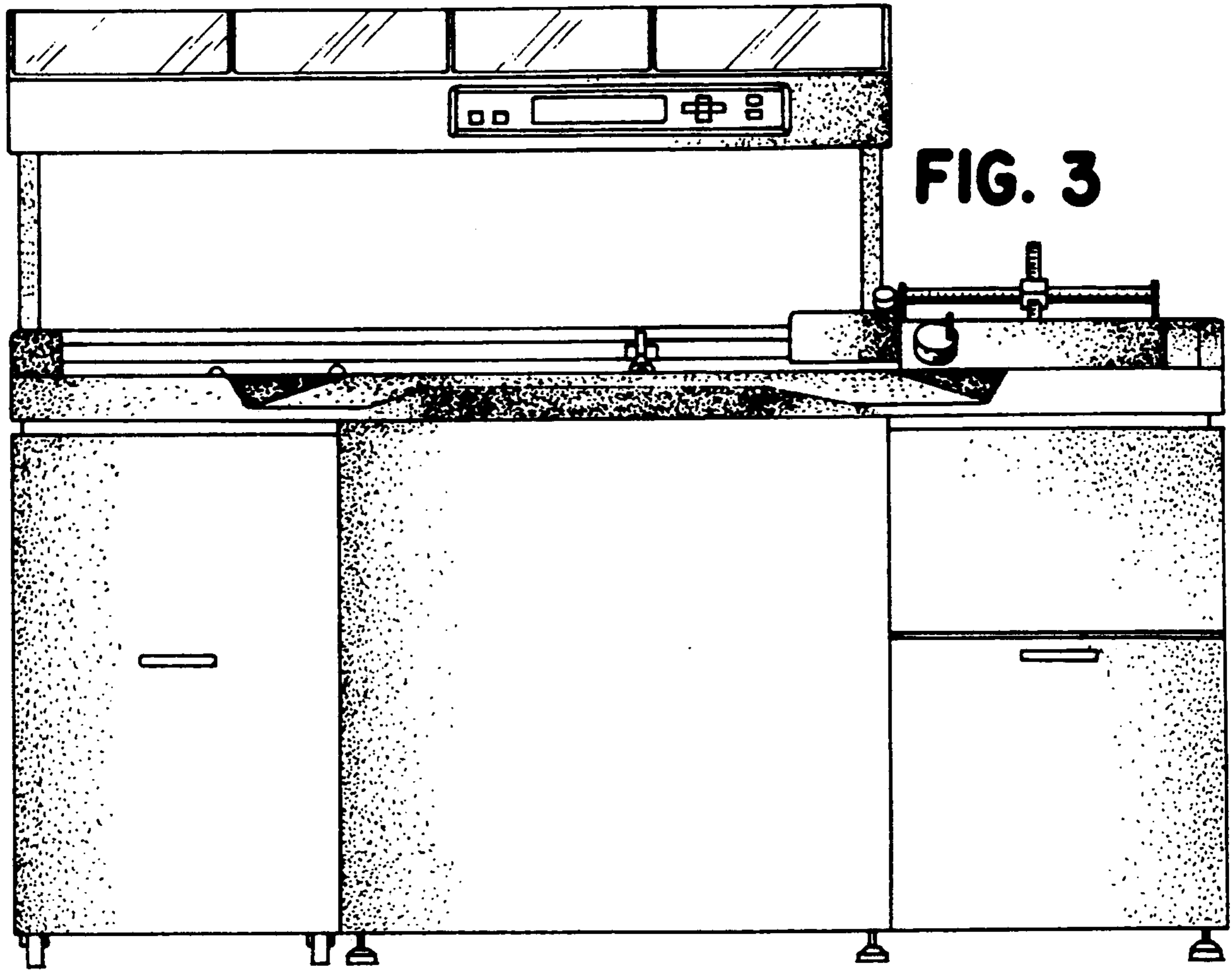


FIG. 5

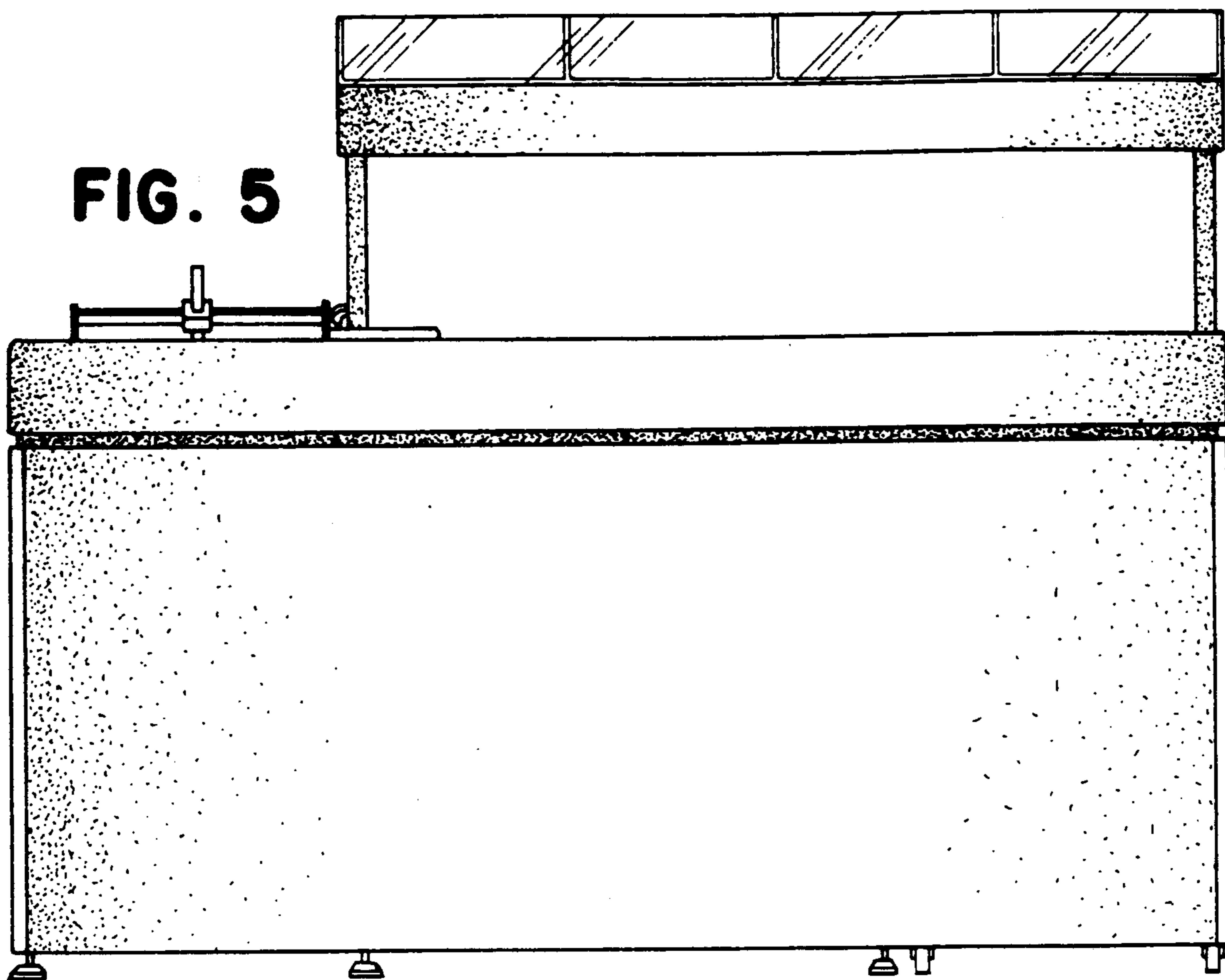


FIG. 6

