

[54] **TRANSPARENT WIND SCREEN**

[76] **Inventor: Joseph D. D'Agostino, 1129 8th St., Ambridge, Pa. 15003**

[**] **Term: 14 Years**

[21] **Appl. No.: 123,645**

[22] **Filed: Nov. 20, 1987**

[52] **U.S. Cl. D6/332**

[58] **Field of Search D6/329, 332; D21/253; D3/32**

D. 305,704	1/1990	Jones et al.	D6/332
1,712,858	5/1929	Tsuchii	D6/332
2,882,913	4/1959	Beauregard	D21/253
2,914,872	12/1959	Goodrich	D6/332
4,172,334	10/1979	Nielsen	D6/332

Primary Examiner—Nelson C. Holtje
Assistant Examiner—J. H. Musgrove
Attorney, Agent, or Firm—William J. Ruano

[57] **CLAIM**

The ornamental design for a transparent wind screen, as shown and described.

DESCRIPTION

FIG. 1 is a top plan view of a transparent wind screen showing my new design;

FIG. 2 is a front elevational view; and

FIG. 3 is a rear perspective view thereof.

[56] **References Cited**

U.S. PATENT DOCUMENTS

D. 278,395	4/1985	Keeler	D6/332
D. 279,942	8/1985	Vasquez et al.	D6/332

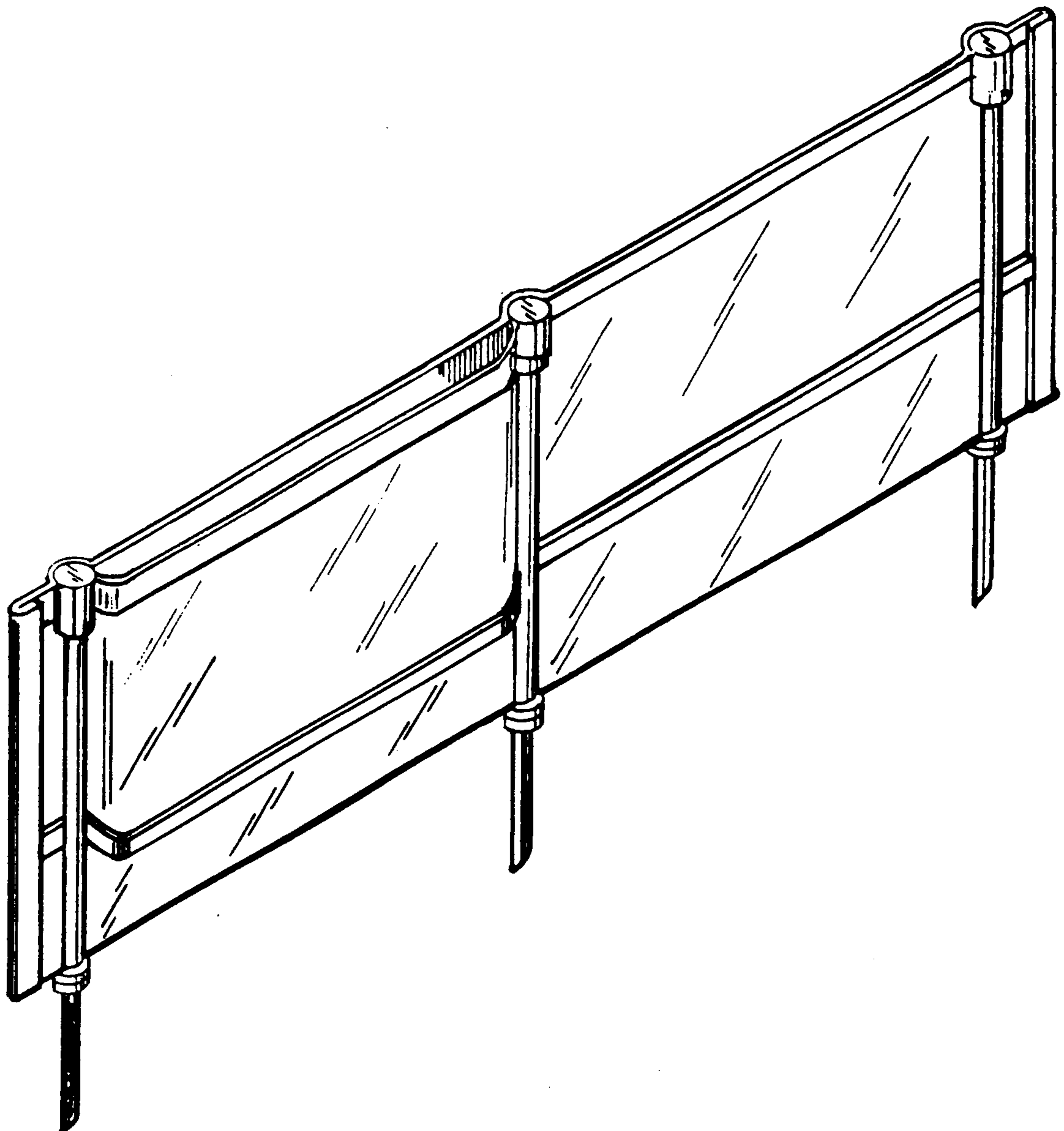




Fig. 1

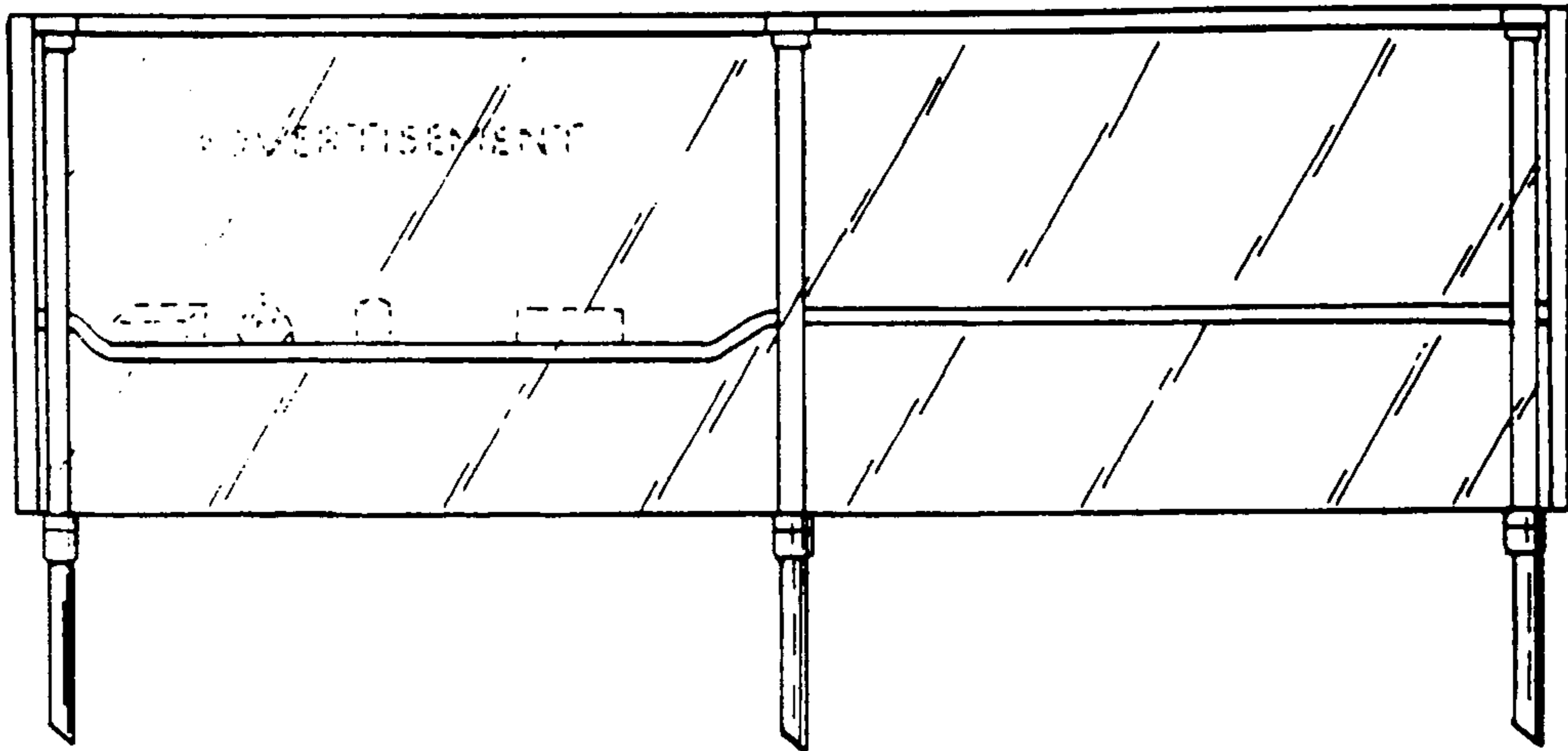


Fig. 2

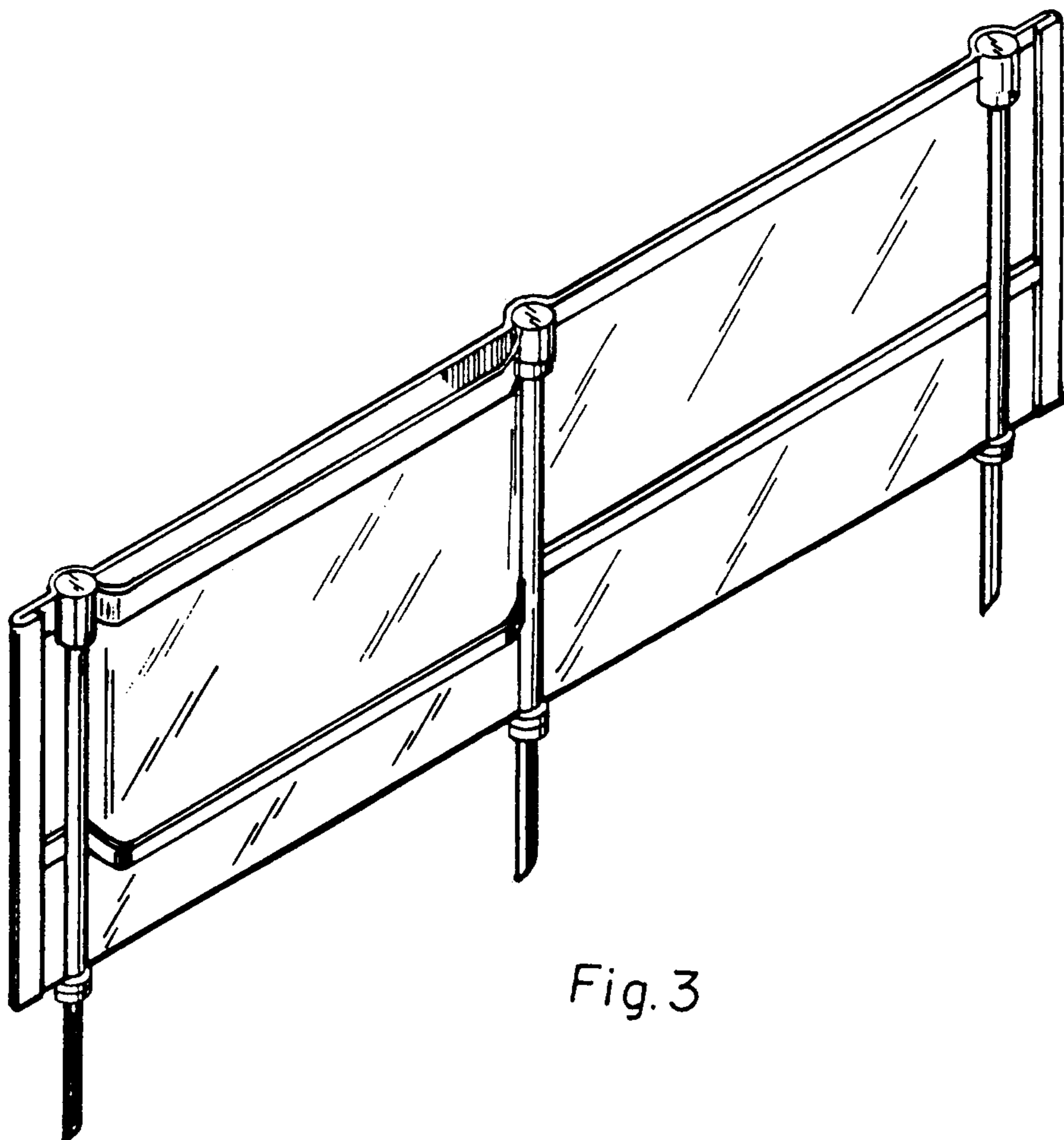


Fig. 3