

[54] TRAVEL ORGANIZER

[76] Inventor: Rita Madison, 4015 Dixon Rd., Little Rock, Ark. 72206

[**] Term: 14 Years

[21] Appl. No.: 159,570

[22] Filed: Feb. 23, 1988

[52] U.S. Cl. D3/74; D3/39; D3/71; D3/76

[58] Field of Search D3/70, 71, 76, 77, 36, D3/38, 39, 74, 75, 79; 150/111, 119, 100, 109, 115, 123; 190/115

[56] References Cited

U.S. PATENT DOCUMENTS

| | | | | |
|------------|---------|---------------|-------|-----------|
| D. 177,591 | 5/1956 | Robinson | | D3/71 |
| D. 258,175 | 2/1981 | Hazeltine | | D3/74 |
| D. 261,825 | 11/1981 | Benson et al. | | D3/39 |
| 1,149,266 | 8/1915 | Johnson | | D3/70 X |
| 1,484,186 | 2/1924 | Minich | | 190/111 X |
| 1,609,348 | 12/1926 | Disney | | D3/70 X |

FOREIGN PATENT DOCUMENTS

2201335 12/1987 United Kingdom 190/115

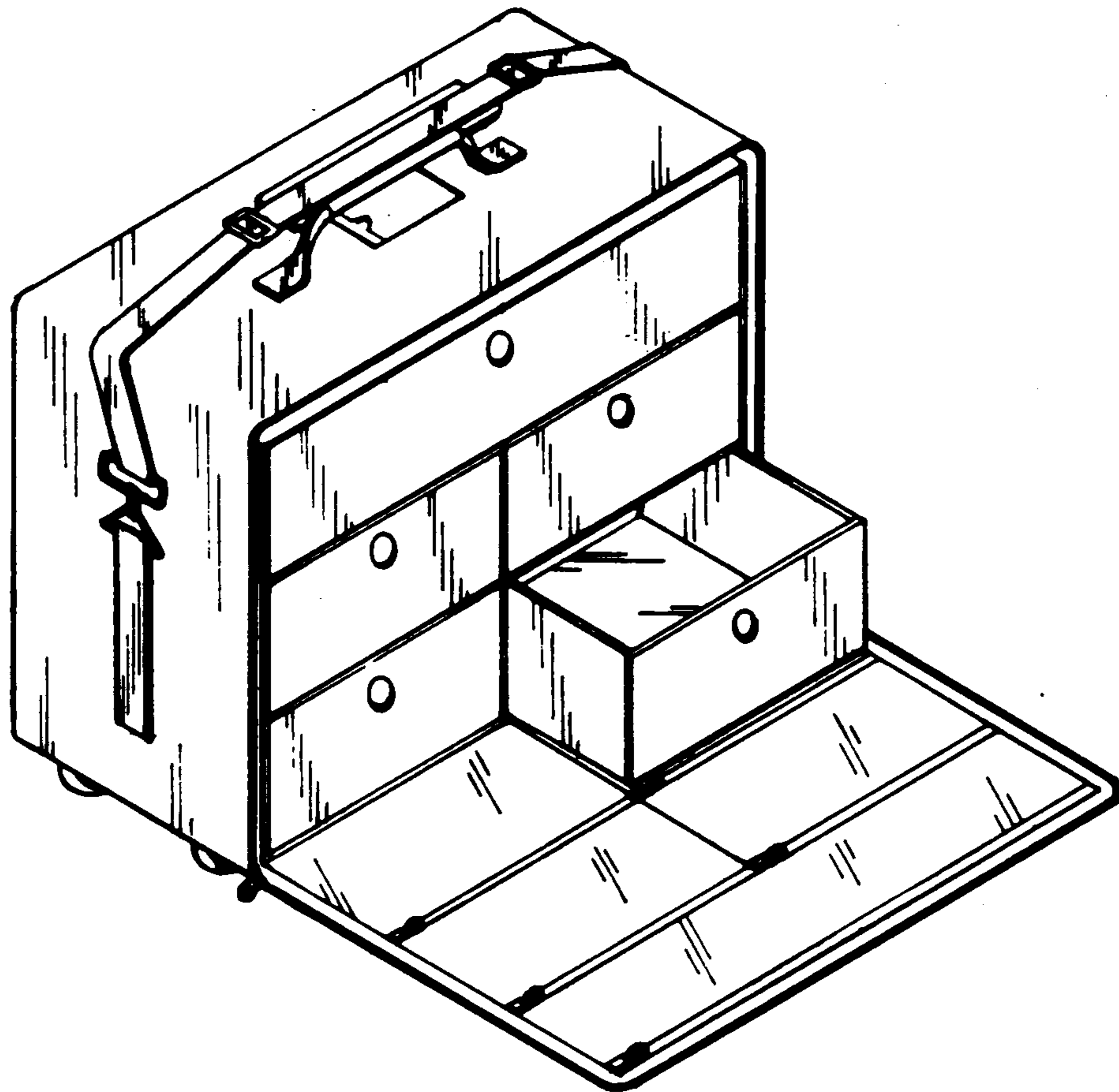
Primary Examiner—Louis S. Zarfes
Assistant Examiner—M. N. Pandozzi
Attorney, Agent, or Firm—Stephen D. Carver

[57] CLAIM

The ornamental design for a travel organizer, as shown and described.

DESCRIPTION

FIG. 1 is a front isometric view of a travel organizer with its front flap and one drawer opened, showing my new design; and,
FIG. 2 is a top plan view thereof, with the front flap opened and all drawers shut;
FIG. 3 is a top plan view thereof;
FIG. 4 is a front elevational view thereof, in which the front flap is shown in a closed position;
FIG. 5 is a left side elevational view, the right side being a mirror image thereof;
FIG. 6 is a top plan view thereof;
FIG. 7 is a rear elevational view thereof;
FIG. 8 is a bottom plan view thereof, in closed position.



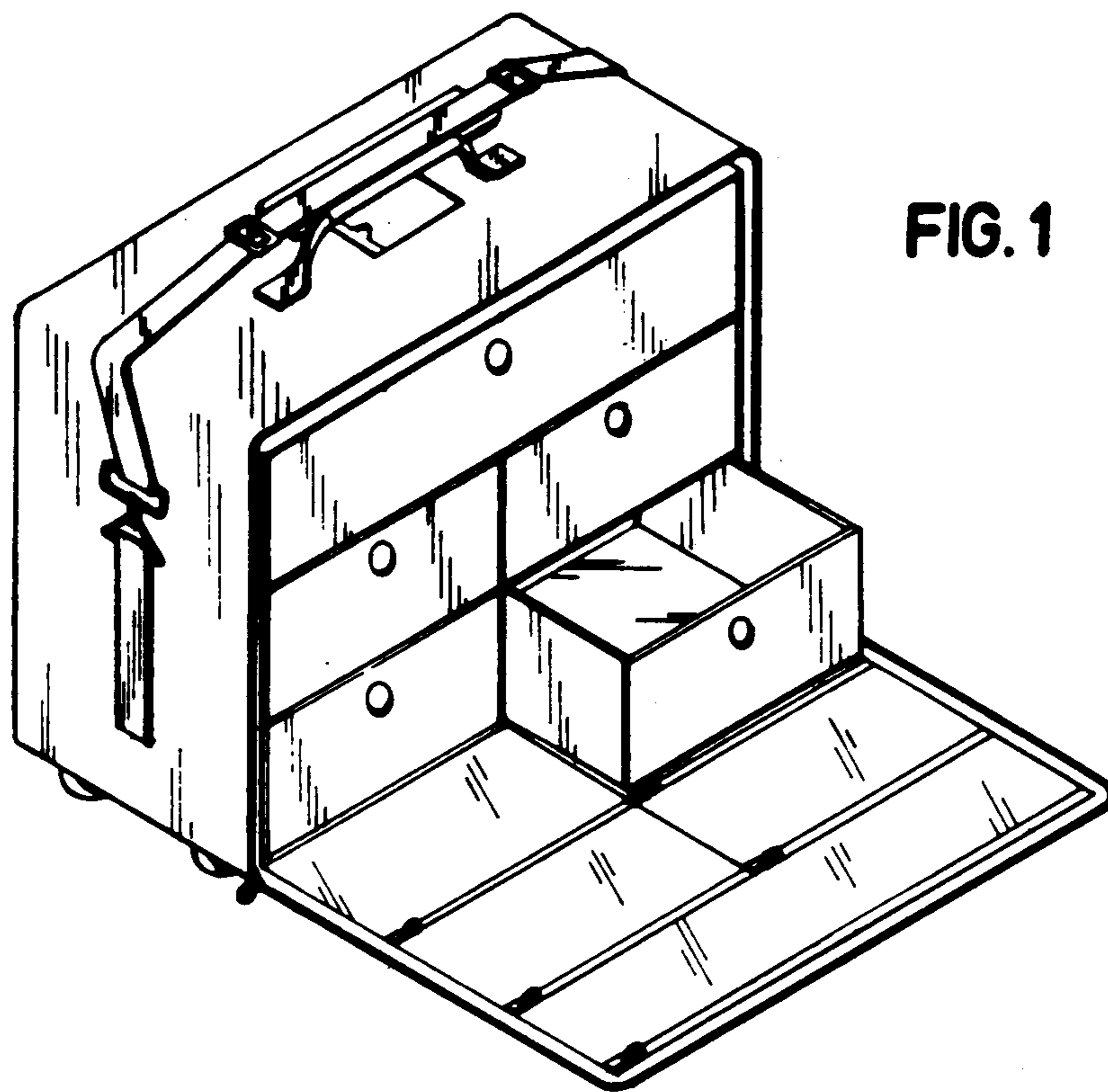


FIG. 1

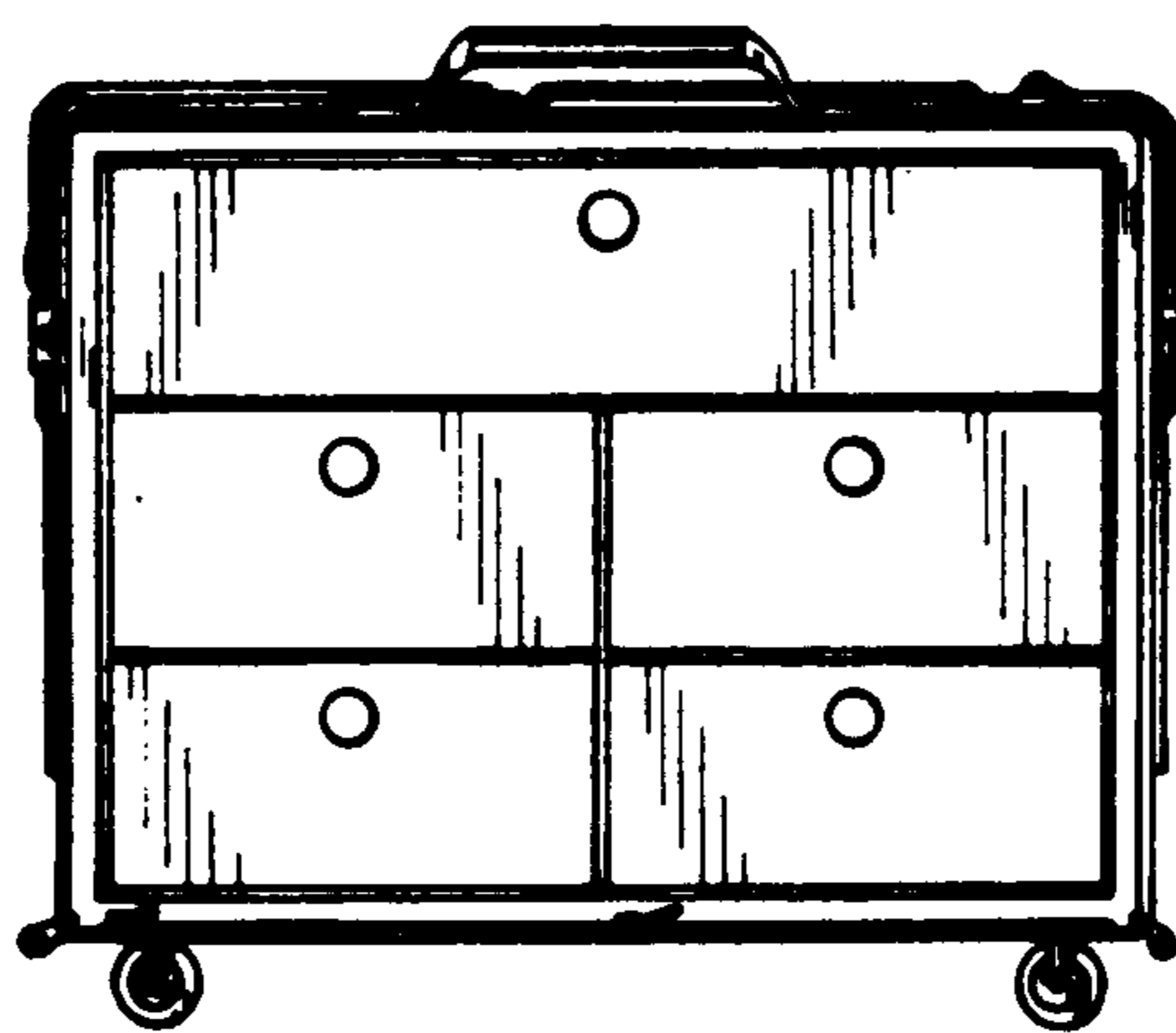


FIG. 2

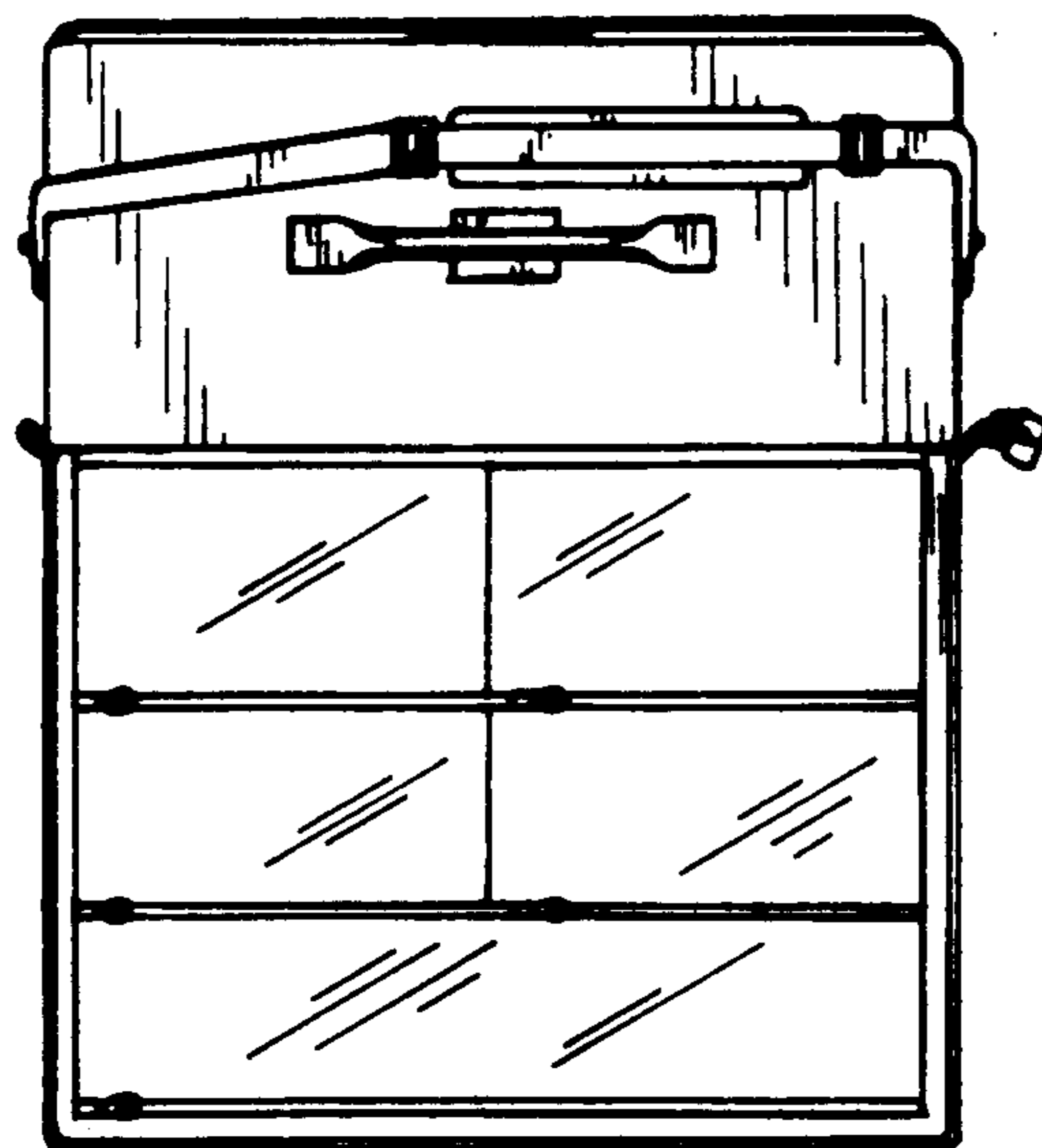


FIG. 3

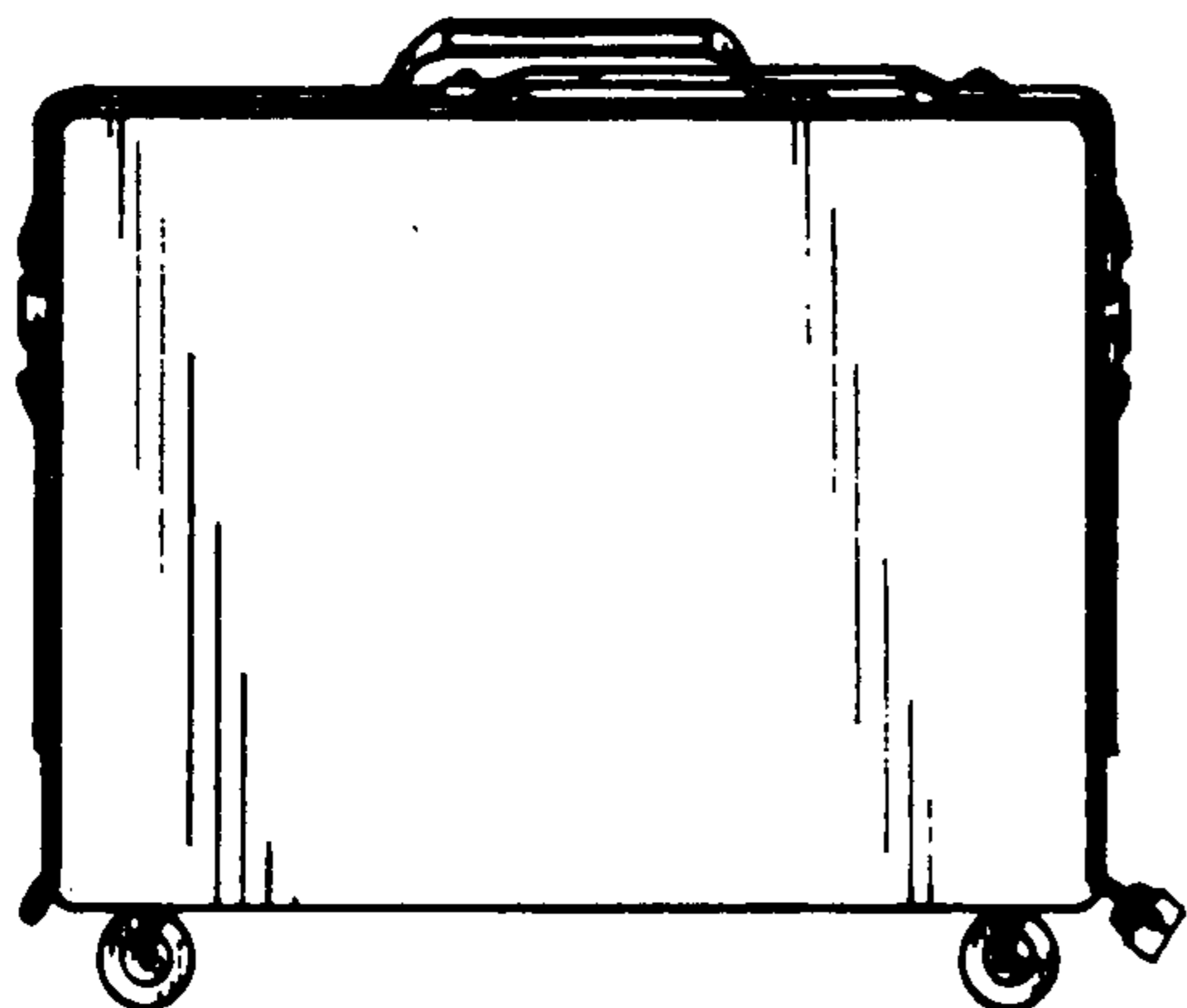


FIG. 4

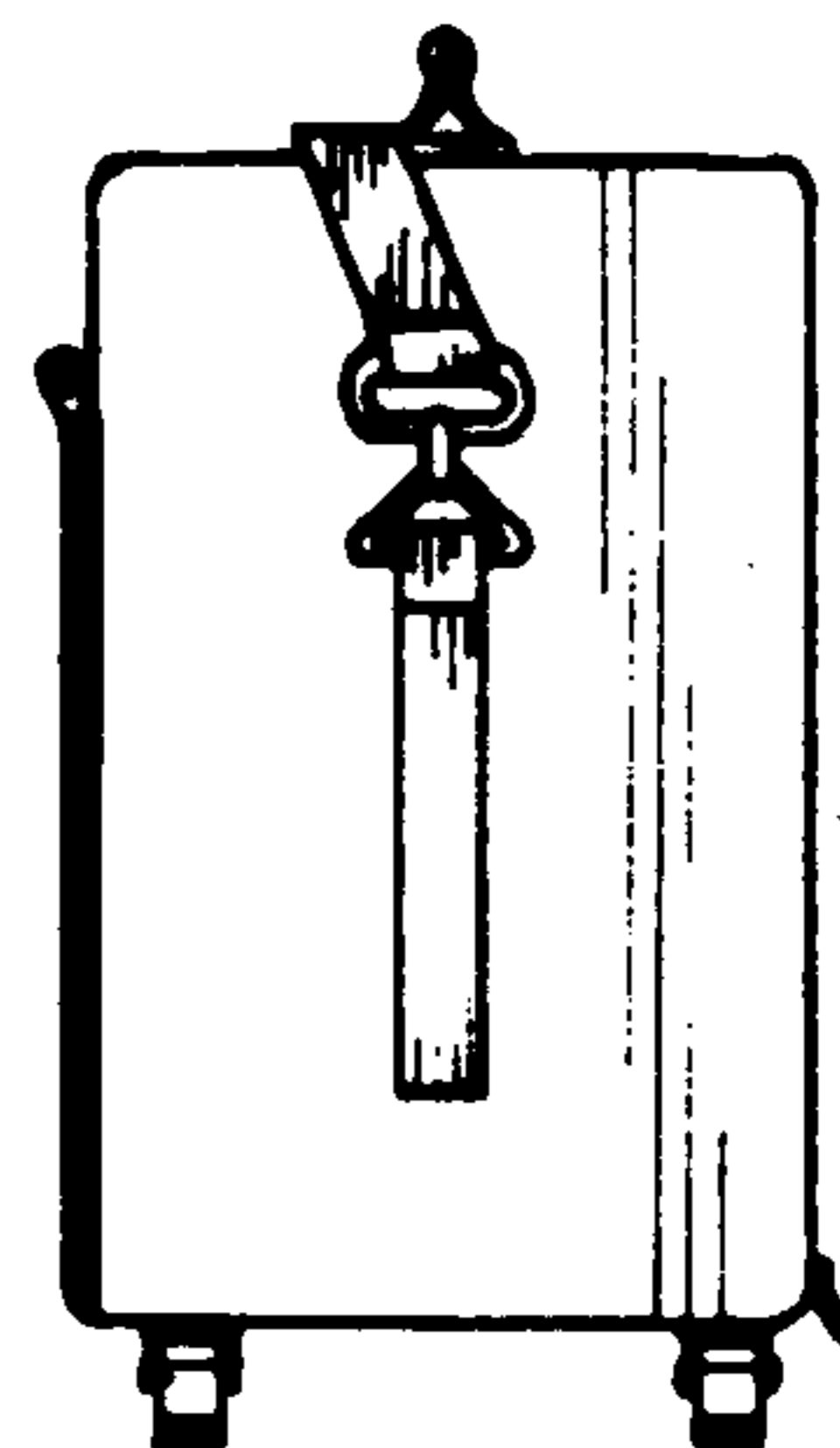


FIG. 5

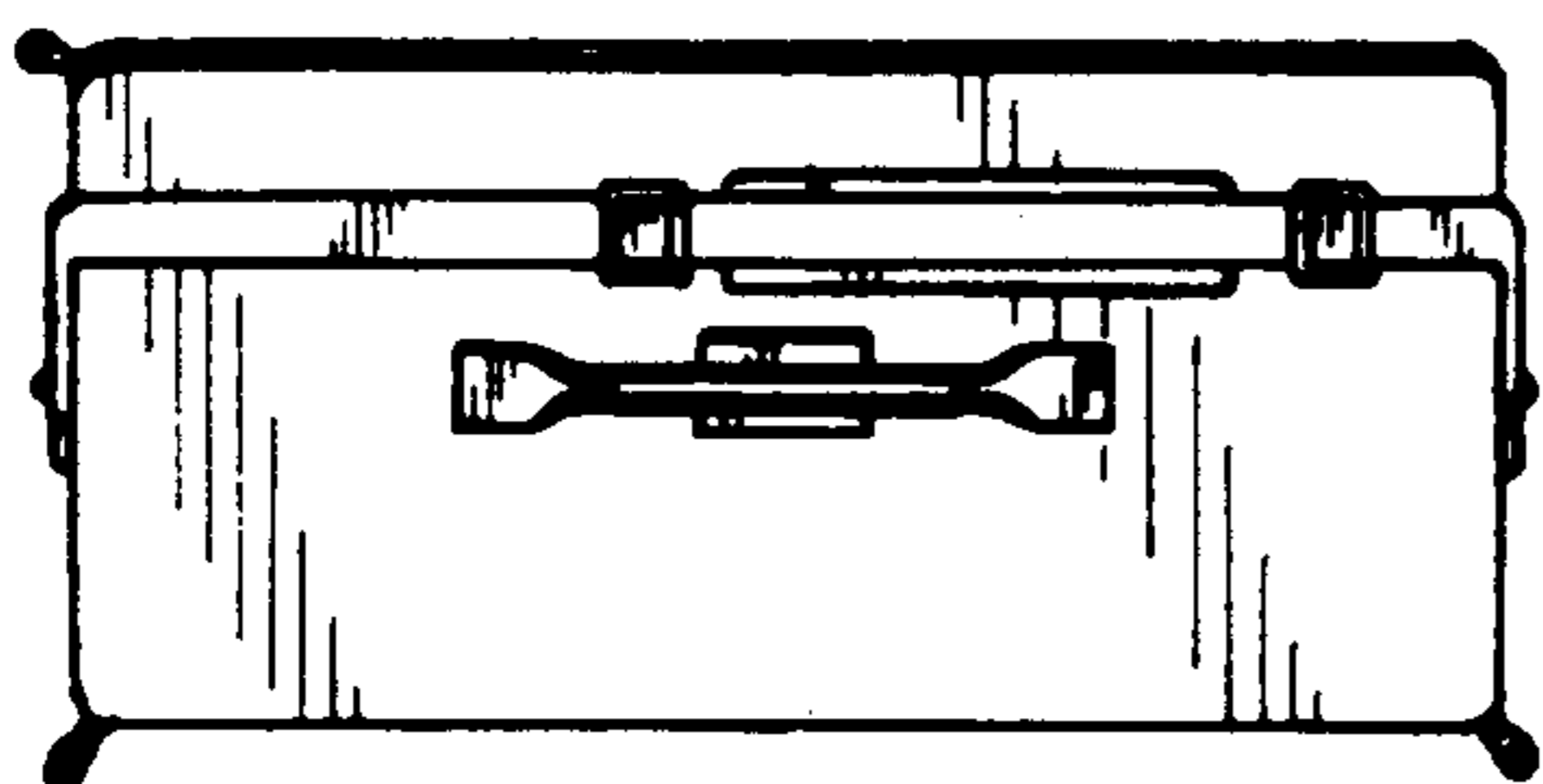


FIG. 6

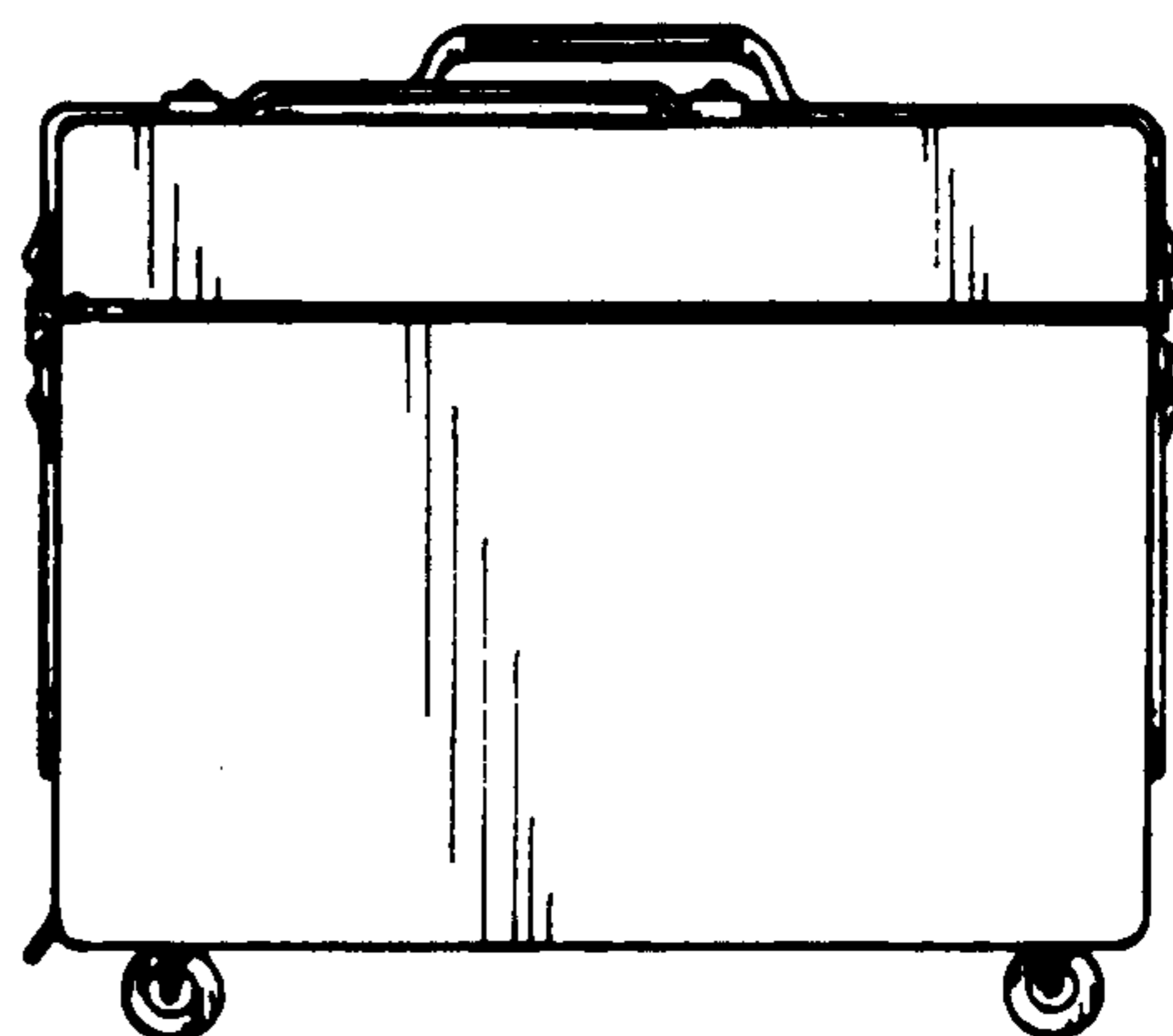


FIG. 7

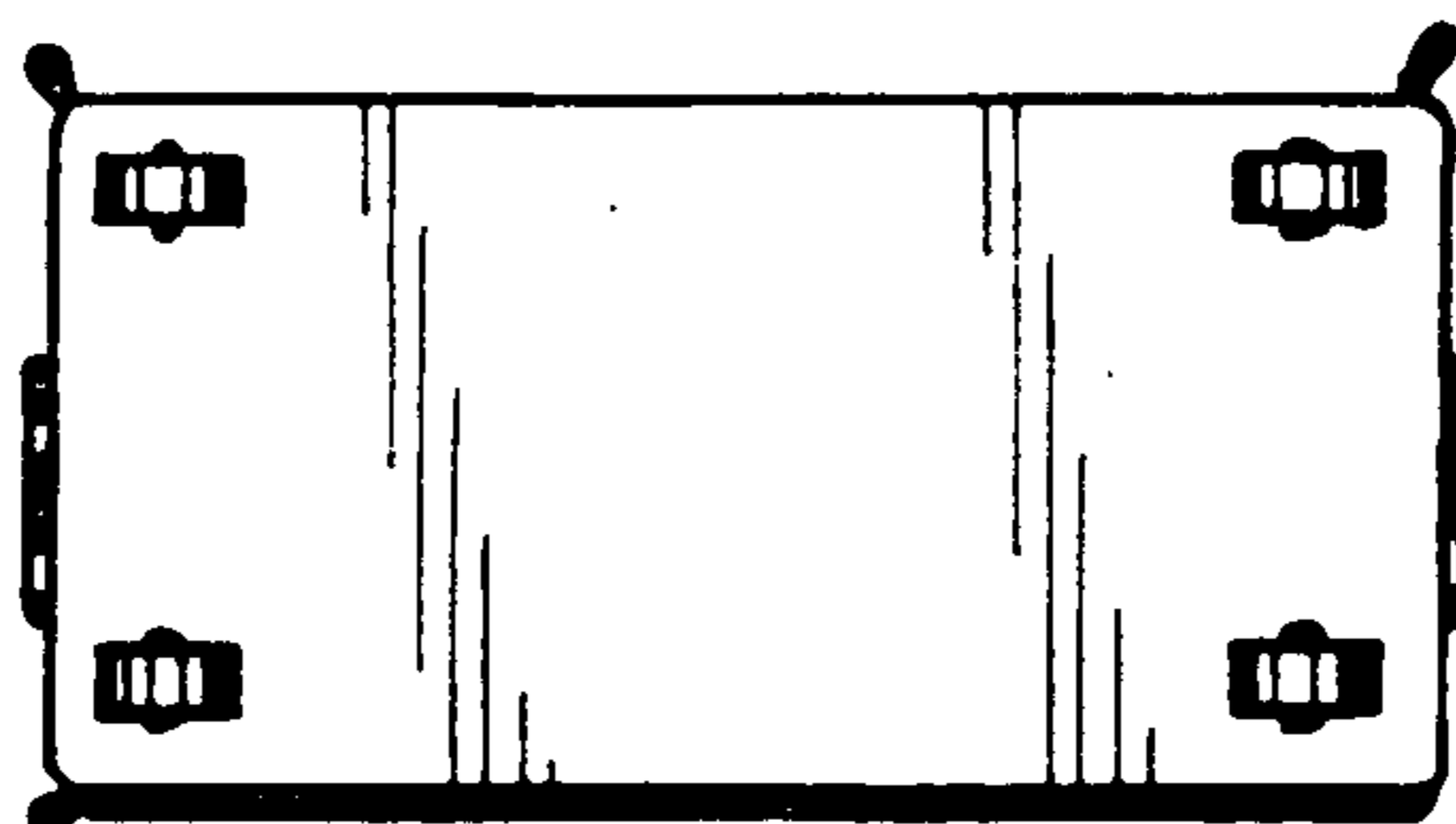


FIG. 8