

[54] REEL CASE

[75] Inventor: Gerald J. Niles, St. Paul, Minn.

[73] Assignee: Minnesota Mining and Manufacturing Company, Saint Paul, Minn.

[**] Term: 14 Years

[21] Appl. No.: 121,585

[22] Filed: Nov. 16, 1987

[52] U.S. Cl. D3/35; D3/73

[58] Field of Search D3/35, 30.1, 78, 33, D3/73; D9/424, 341; 206/387, 389, 309, 310, 444, 509, 316.1; 190/117

[56] References Cited

U.S. PATENT DOCUMENTS

D. 189,267	11/1960	Silten	D3/35
D. 214,819	7/1969	Goldberg	D3/35
D. 218,922	10/1970	De Vore et al.	D3/35
D. 222,012	9/1971	Harris	D3/35
D. 247,459	3/1978	Tennison	D3/73

D. 264,398	5/1982	Basili et al.	D3/78 X
D. 268,380	3/1983	Thiele	D3/35
D. 296,386	6/1988	McConnell, III et al.	D3/35
3,612,233	10/1971	Nagpal	206/389 X
3,845,916	11/1974	Livinston et al.	206/387

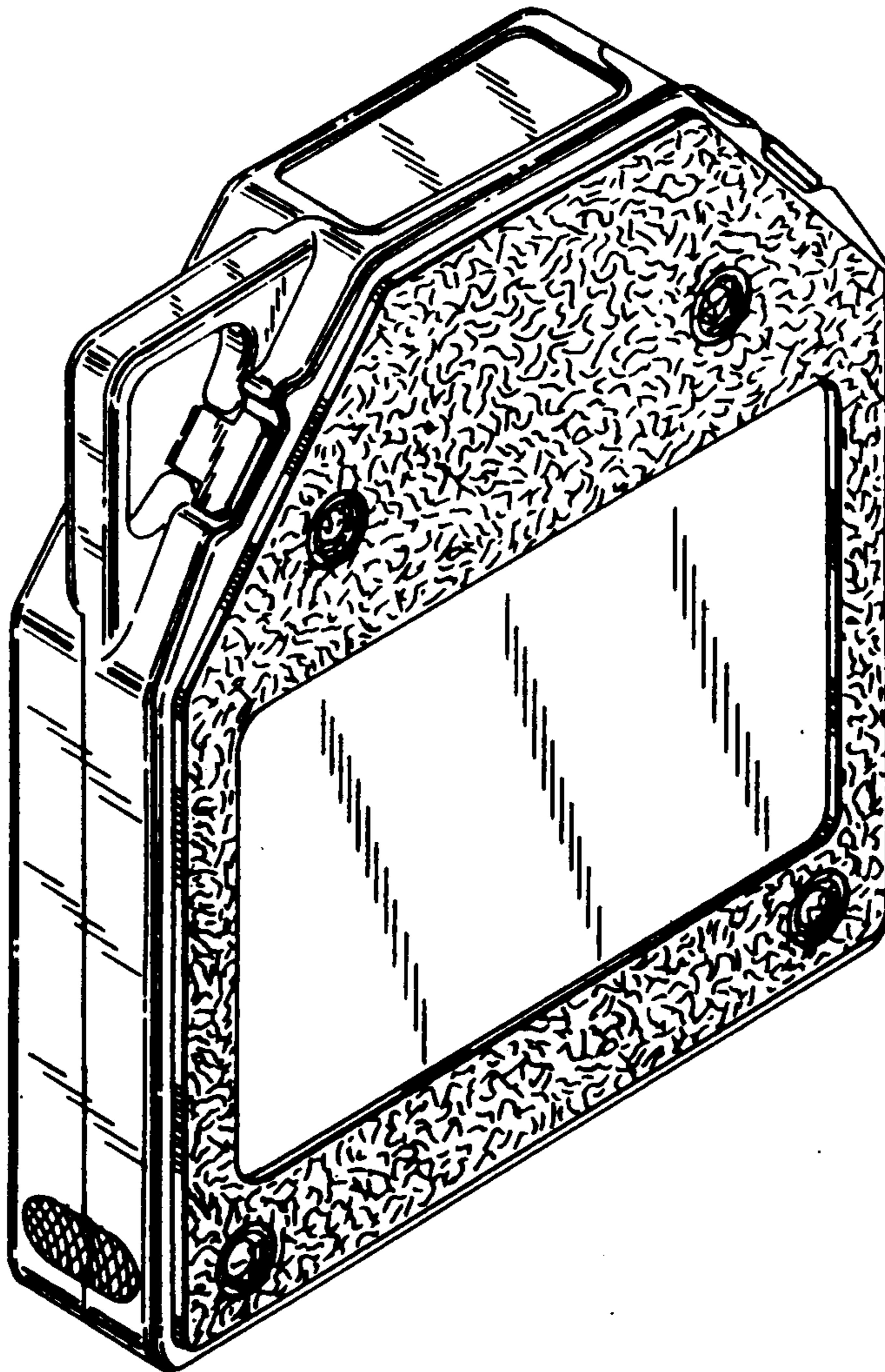
Primary Examiner—A. Hugo Word
Assistant Examiner—Doris V. Coles
Attorney, Agent, or Firm—Gary L. Griswold; Walter N. Kirn; David W. Anderson

[57] CLAIM

The ornamental design for a reel case, as shown and described.

DESCRIPTION

FIG. 1 is a perspective view of a reel case showing my new design;
FIG. 2 is a front elevational view thereof;
FIG. 3 is a rear elevational view thereof;
FIG. 4 is a right side elevational view thereof;
FIG. 5 is a left side elevational view thereof;
FIG. 6 is a top plan view thereof; and
FIG. 7 is a bottom plan view thereof.



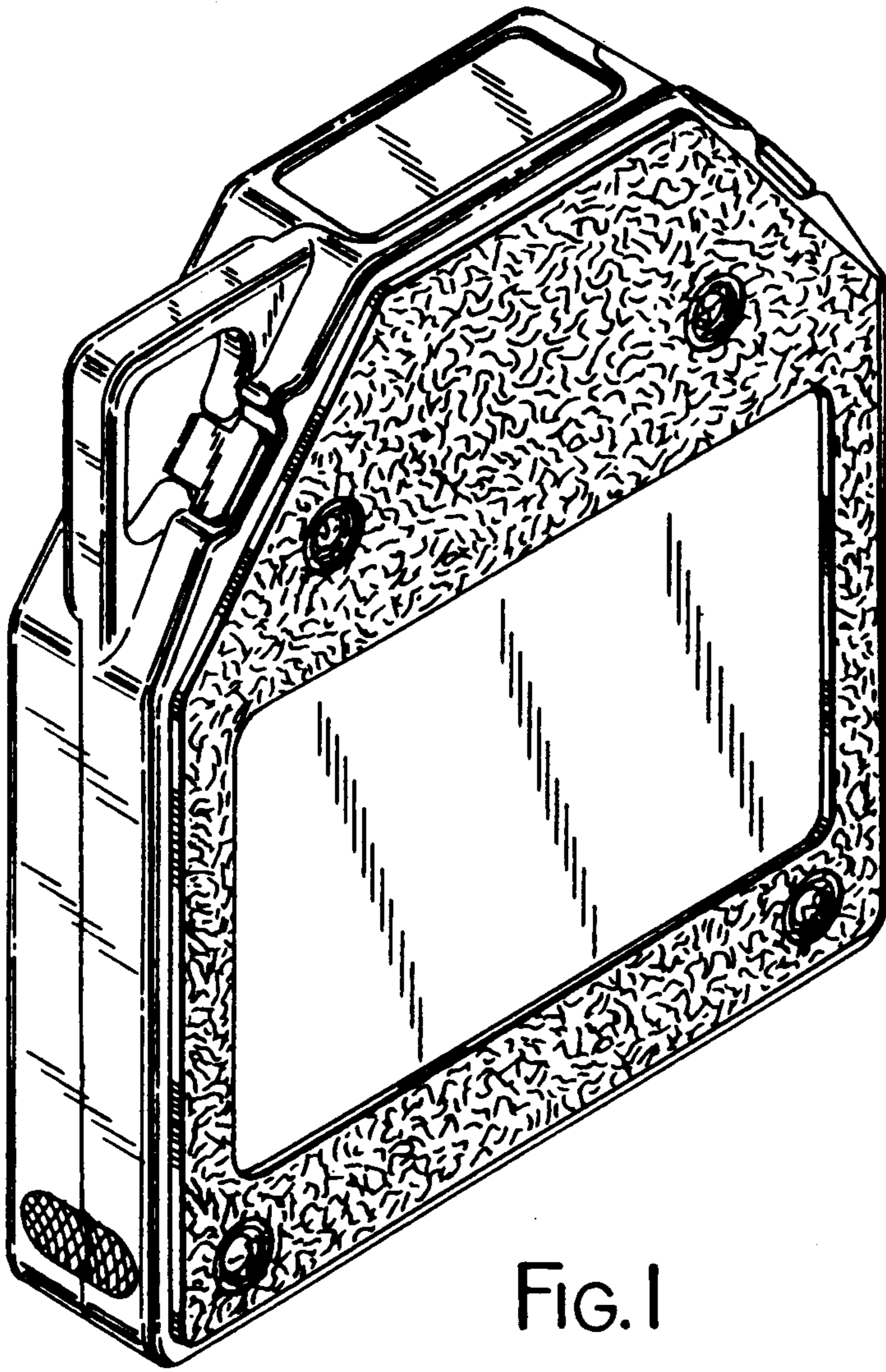


FIG. 1

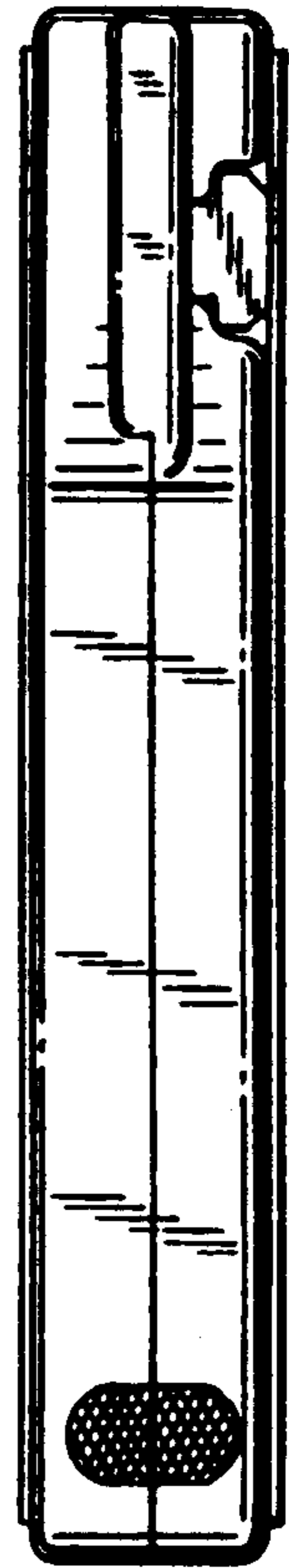


FIG. 5

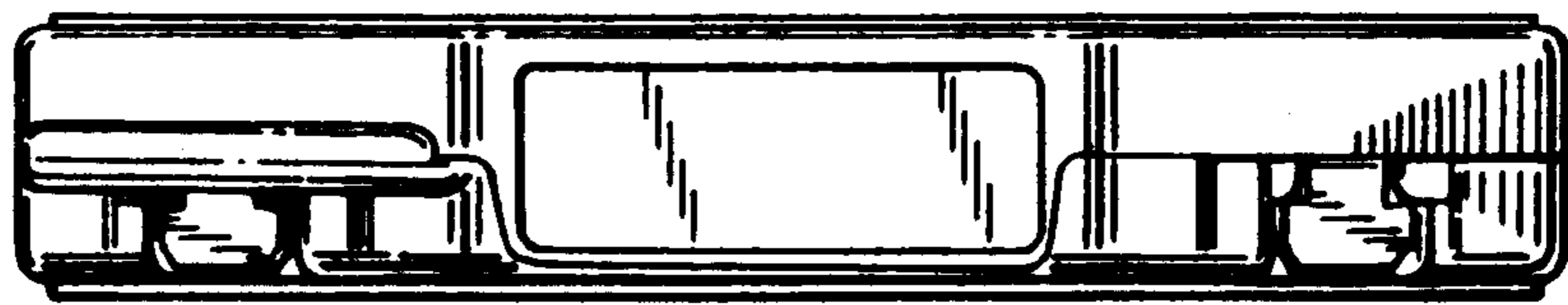


FIG. 6

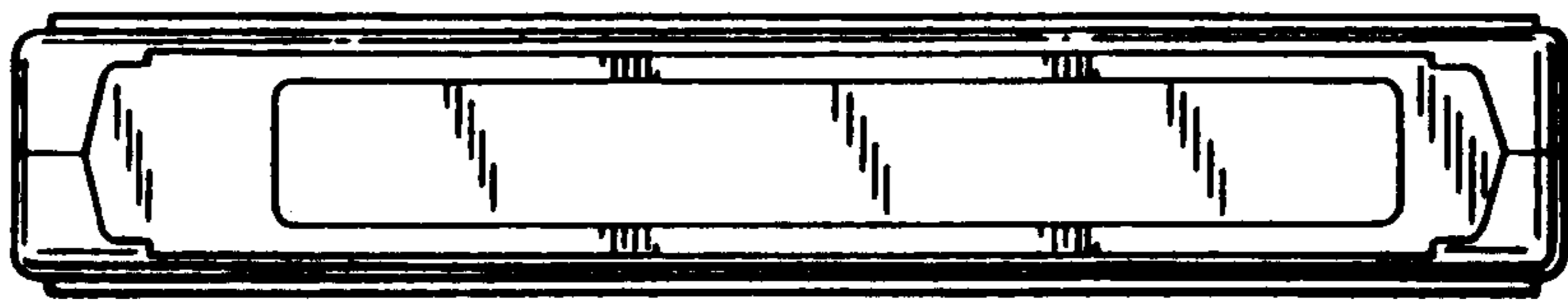


FIG. 7

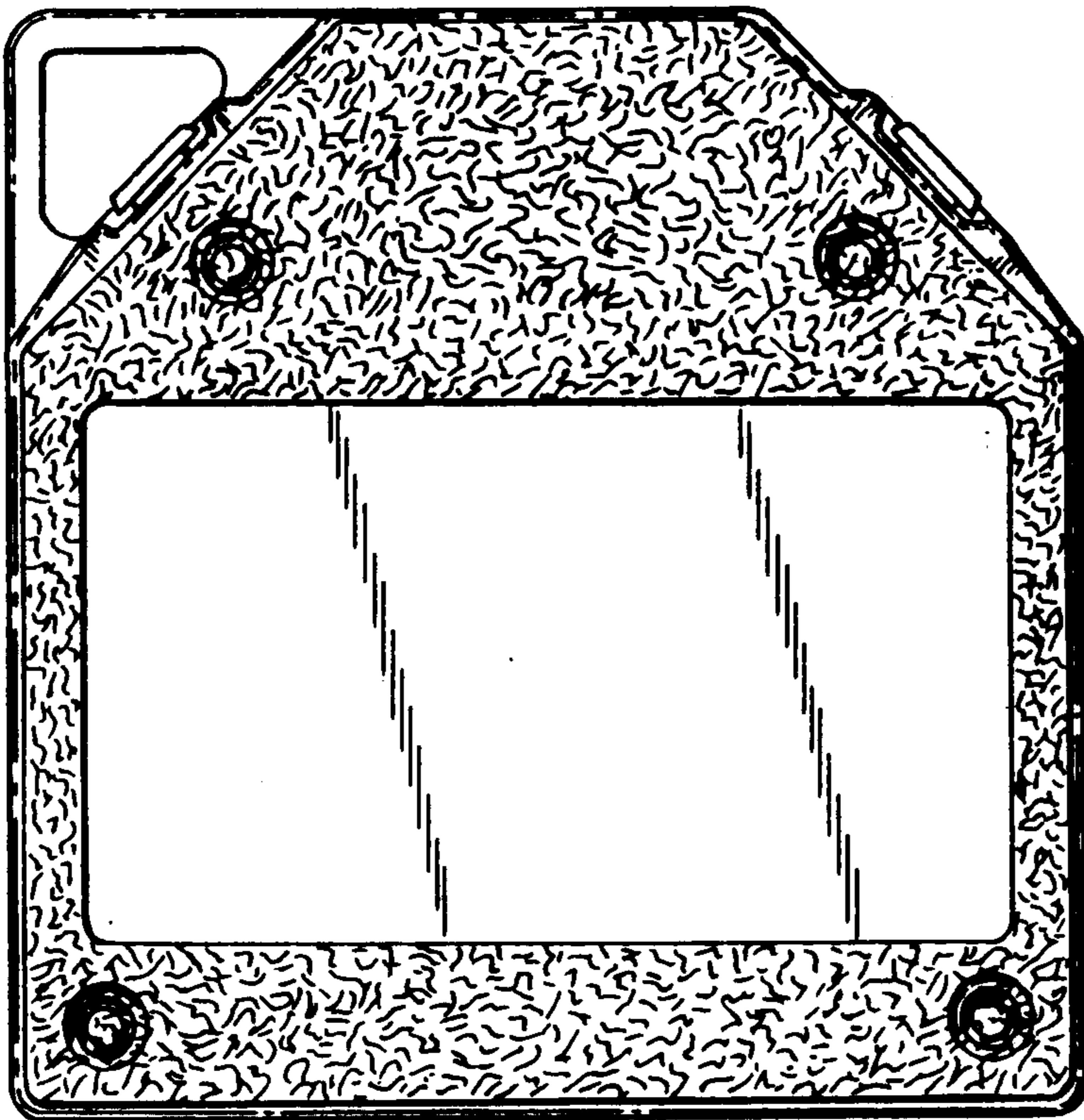


FIG. 2

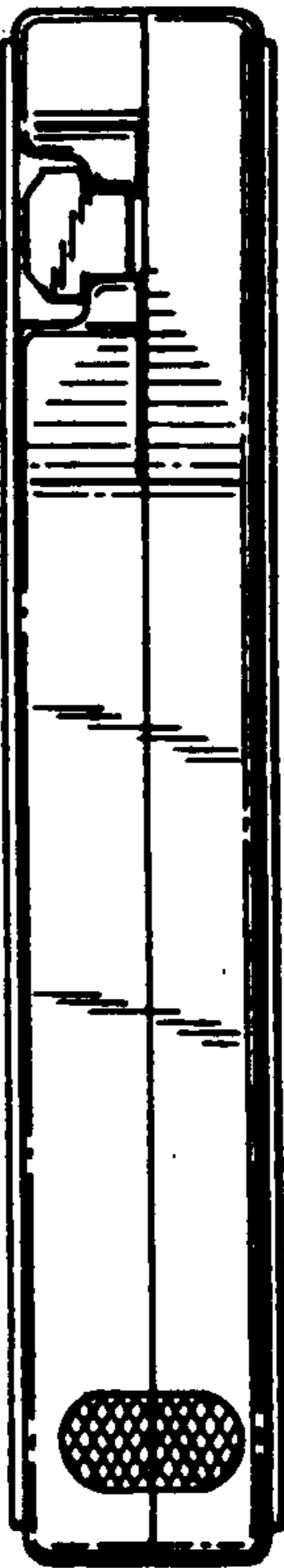


FIG. 4

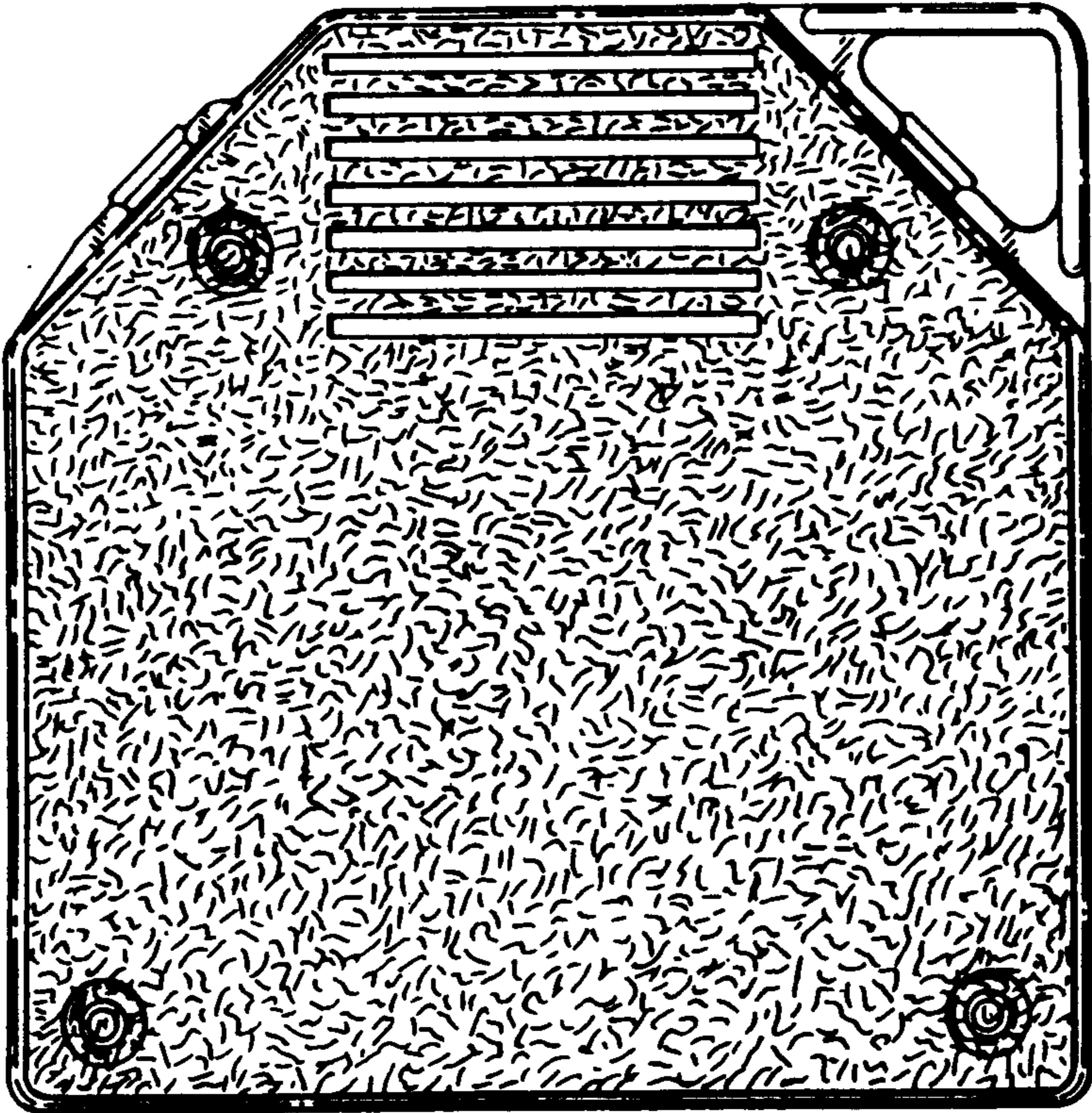


FIG. 3