

United States Patent [19]

Schulz

[11] Patent Number: Des. 317,077

[45] Date of Patent: ** May 28, 1991

[54] **COMBINED BOOT JACK AND HOOK**

[76] Inventor: **Orland L. Schulz**, R.R. 1, Box 39,
Bushton, Kans. 67427

[**] Term: **14 Years**

[21] Appl. No.: **75,853**

[22] Filed: **Jul. 20, 1987**

[52] U.S. Cl. **D2/642**

[58] Field of Search **D7/335; D2/641, 642;**
223/111-119

4,066,194 1/1978 Leland 223/111
4,284,216 8/1981 Leland 223/111
4,355,744 10/1982 Dudley D2/642 X

Primary Examiner—Louis S. Zarfes
Attorney, Agent, or Firm—Kokjer, Kircher, Bradley,
Wharton, Bowman & Johnson

[57] **CLAIM**

The ornamental design for a combined boot jacket and hook, as shown and described.

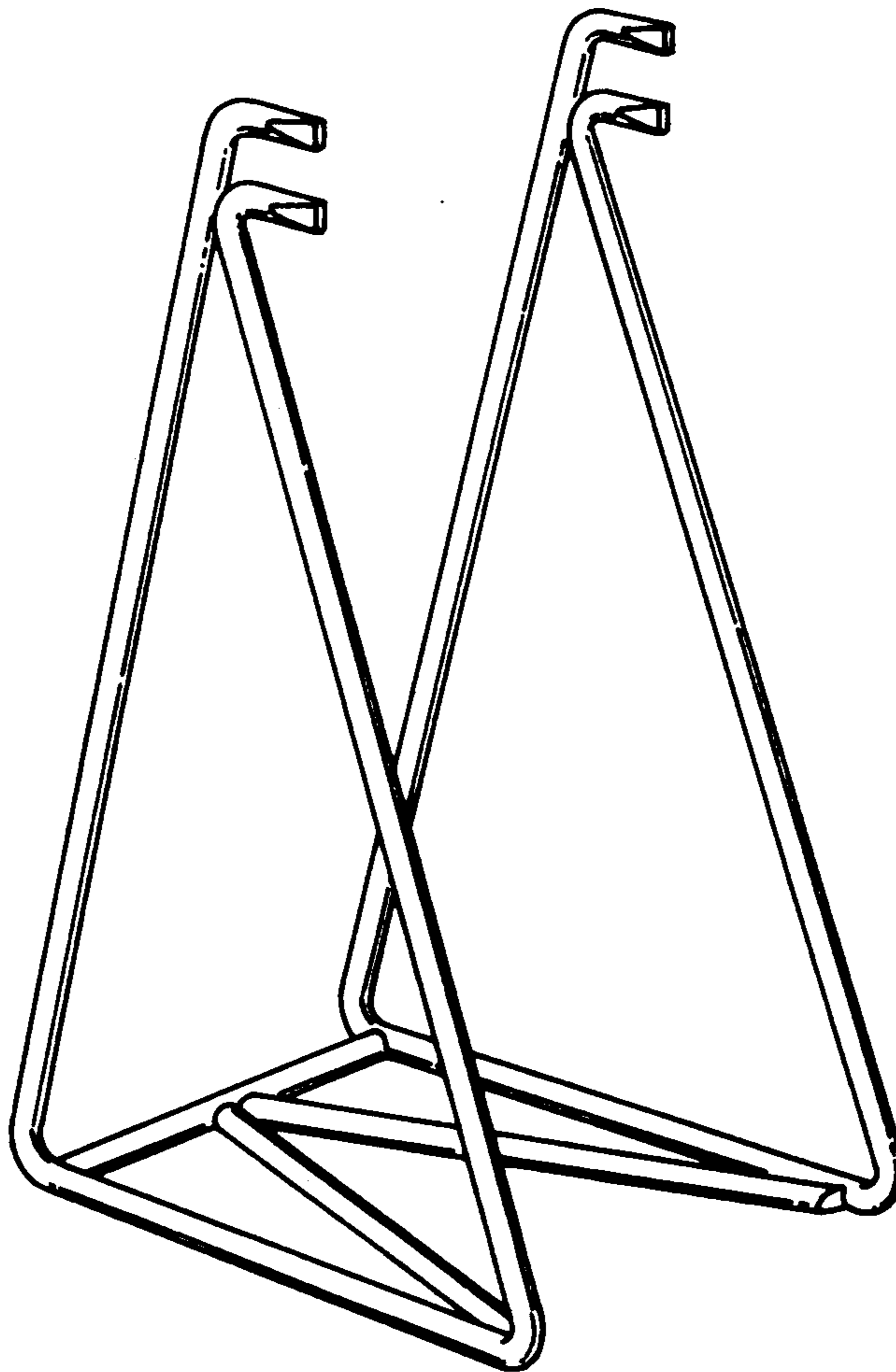
DESCRIPTION

FIG. 1 is a perspective view of a combined boot jack and hook showing my new design;
FIG. 2 is a left side elevational view thereof;
FIG. 3 is a rear elevational view thereof;
FIG. 4 is a front elevational view;
FIG. 5 is a top plan view thereof; and
FIG. 6 is a bottom plan view thereof.

[56] **References Cited**

U.S. PATENT DOCUMENTS

D. 216,451 1/1970 Fox D2/642
D. 259,300 5/1981 Vreeken D2/641
1,293,318 2/1919 Boissiere et al. 223/113
2,522,223 9/1950 Hardin et al. D7/335 X
3,231,160 1/1966 Glanville 223/111



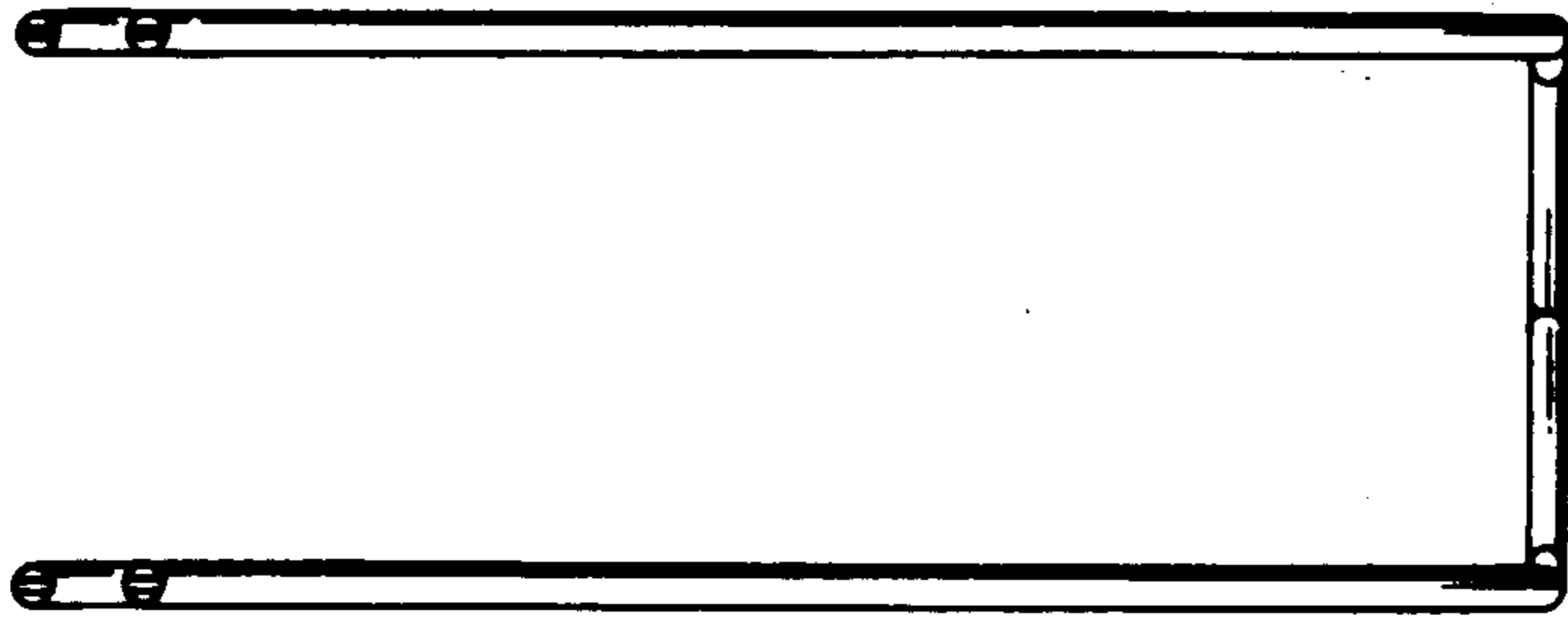


Fig. 4.

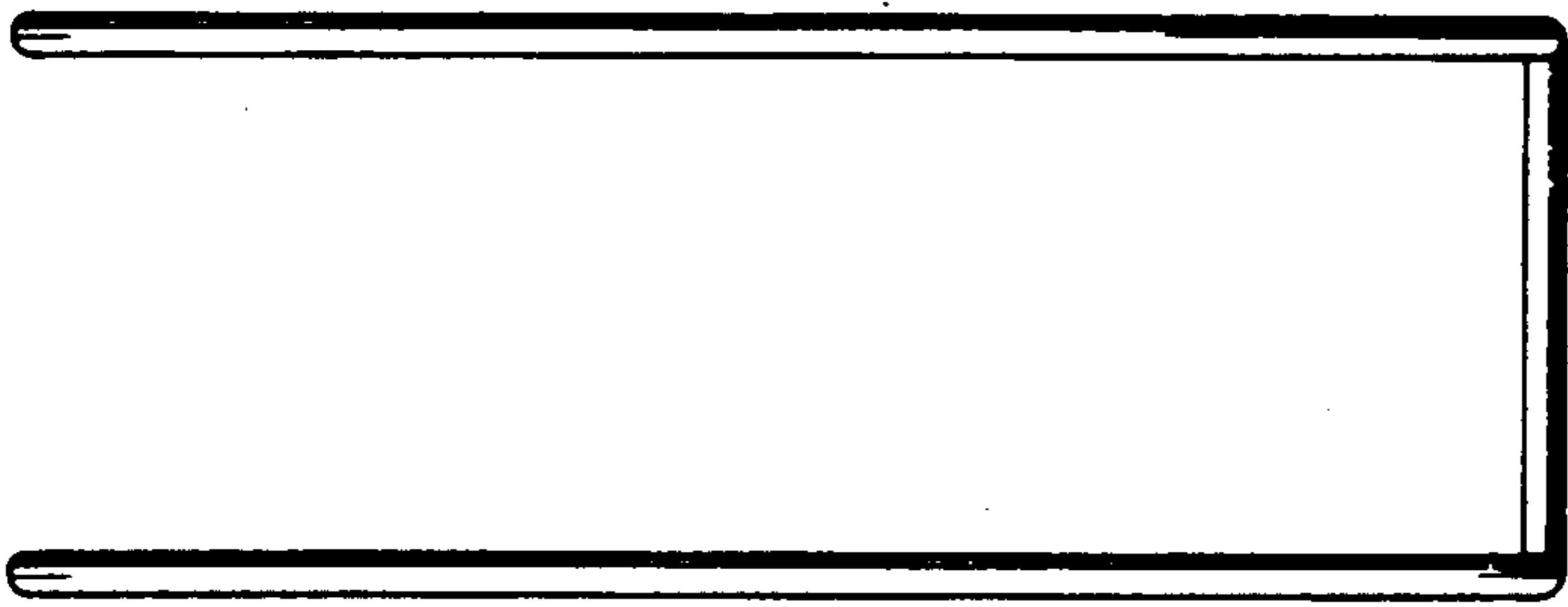


Fig. 3.

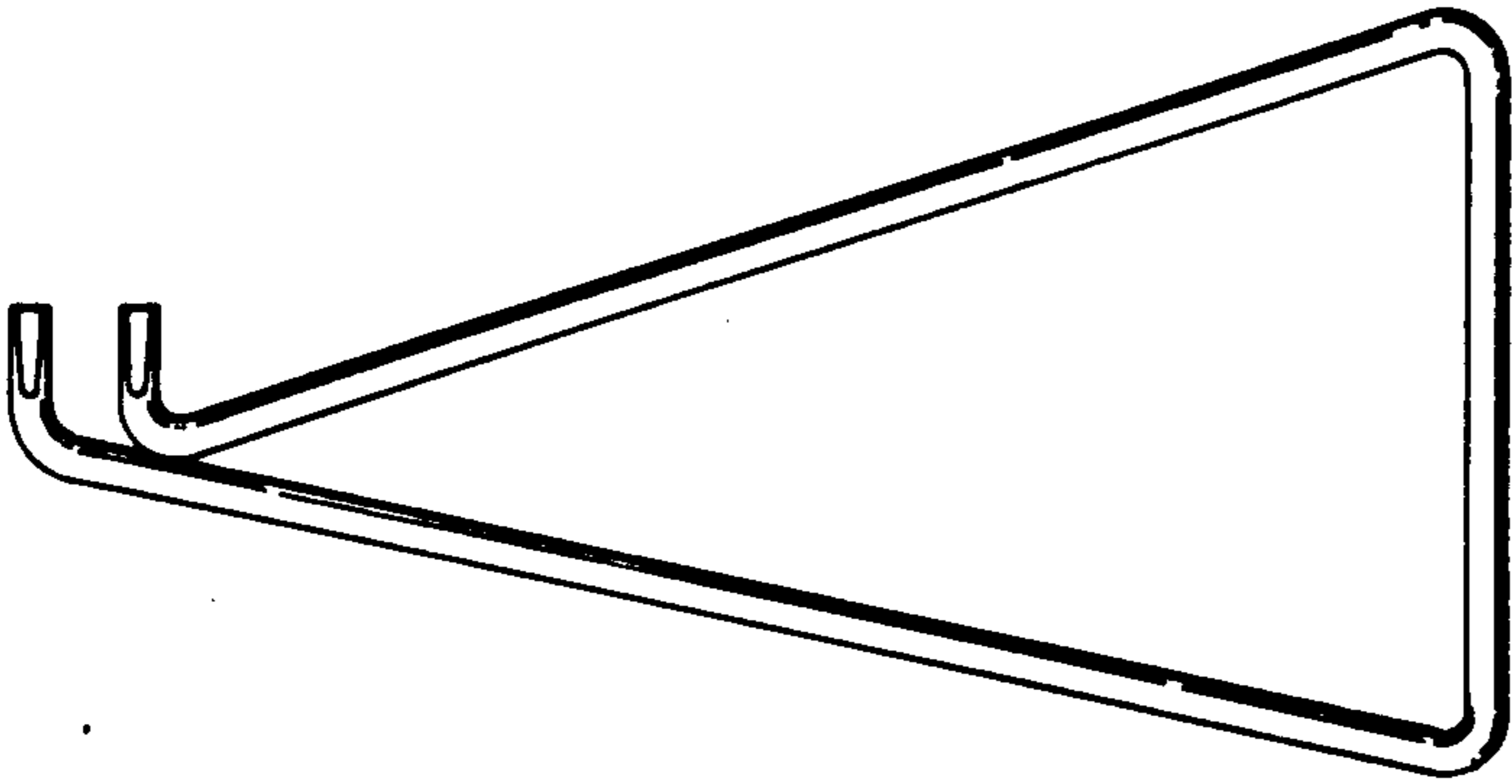


Fig. 2.

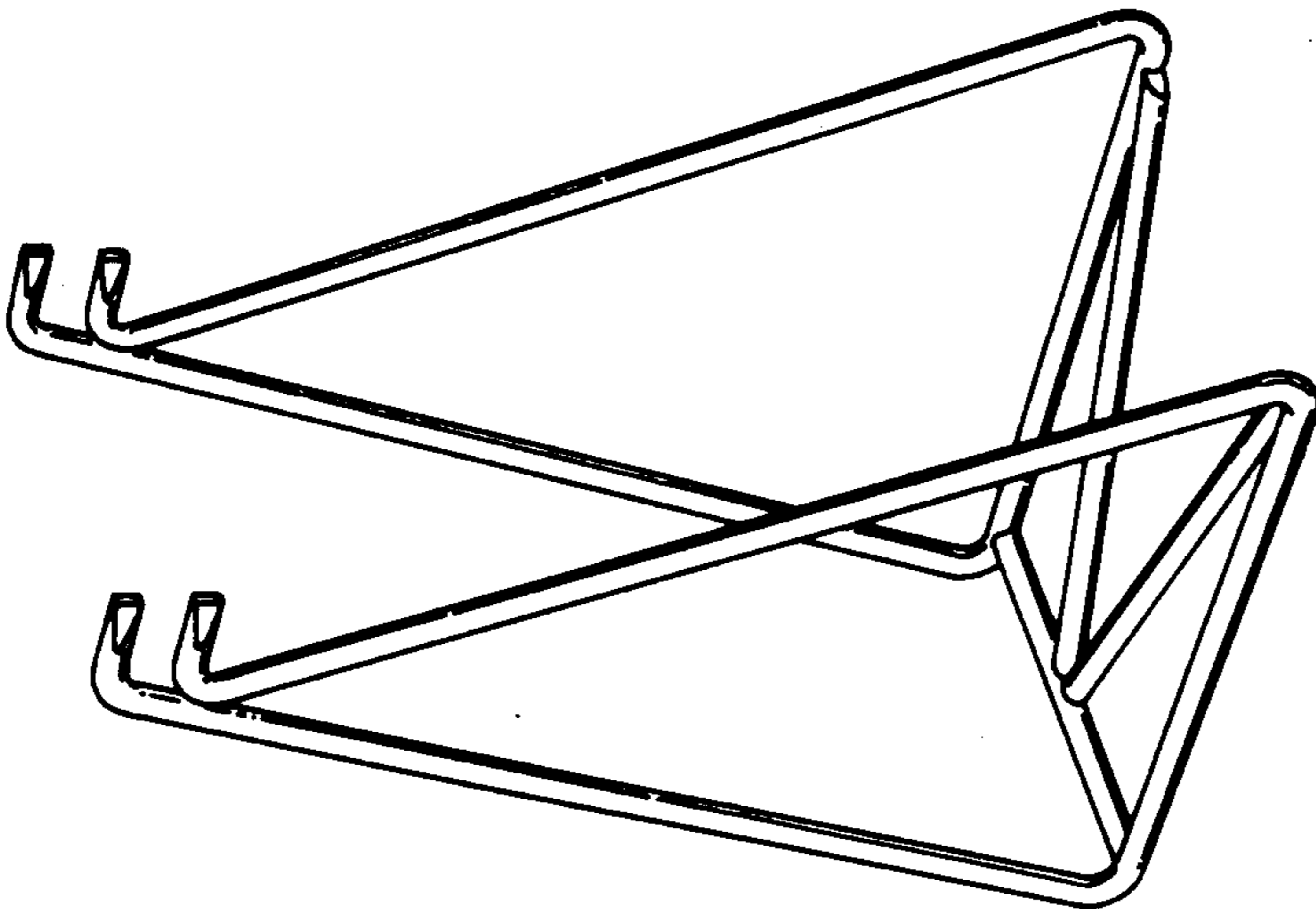


Fig. 1.

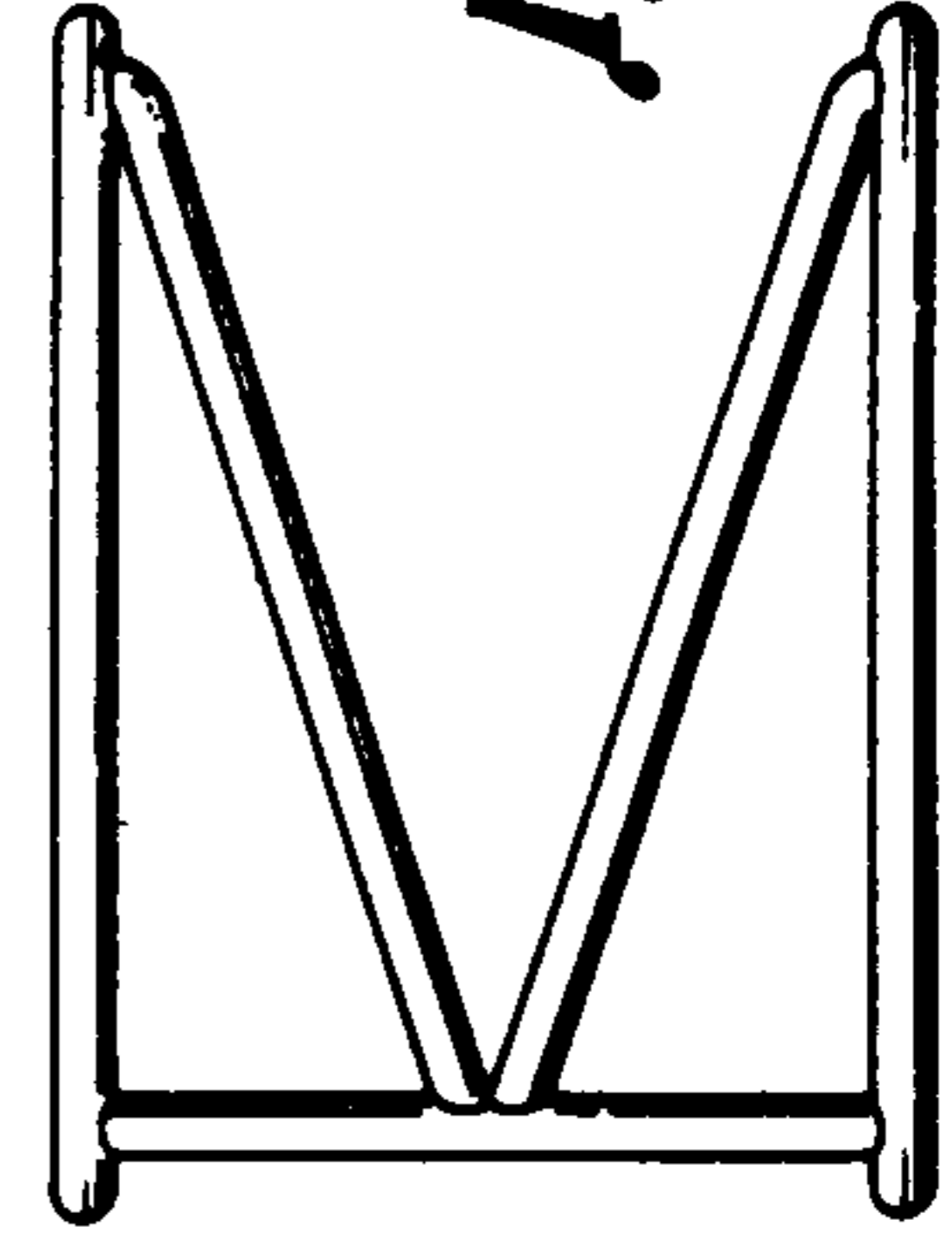


Fig. 6.

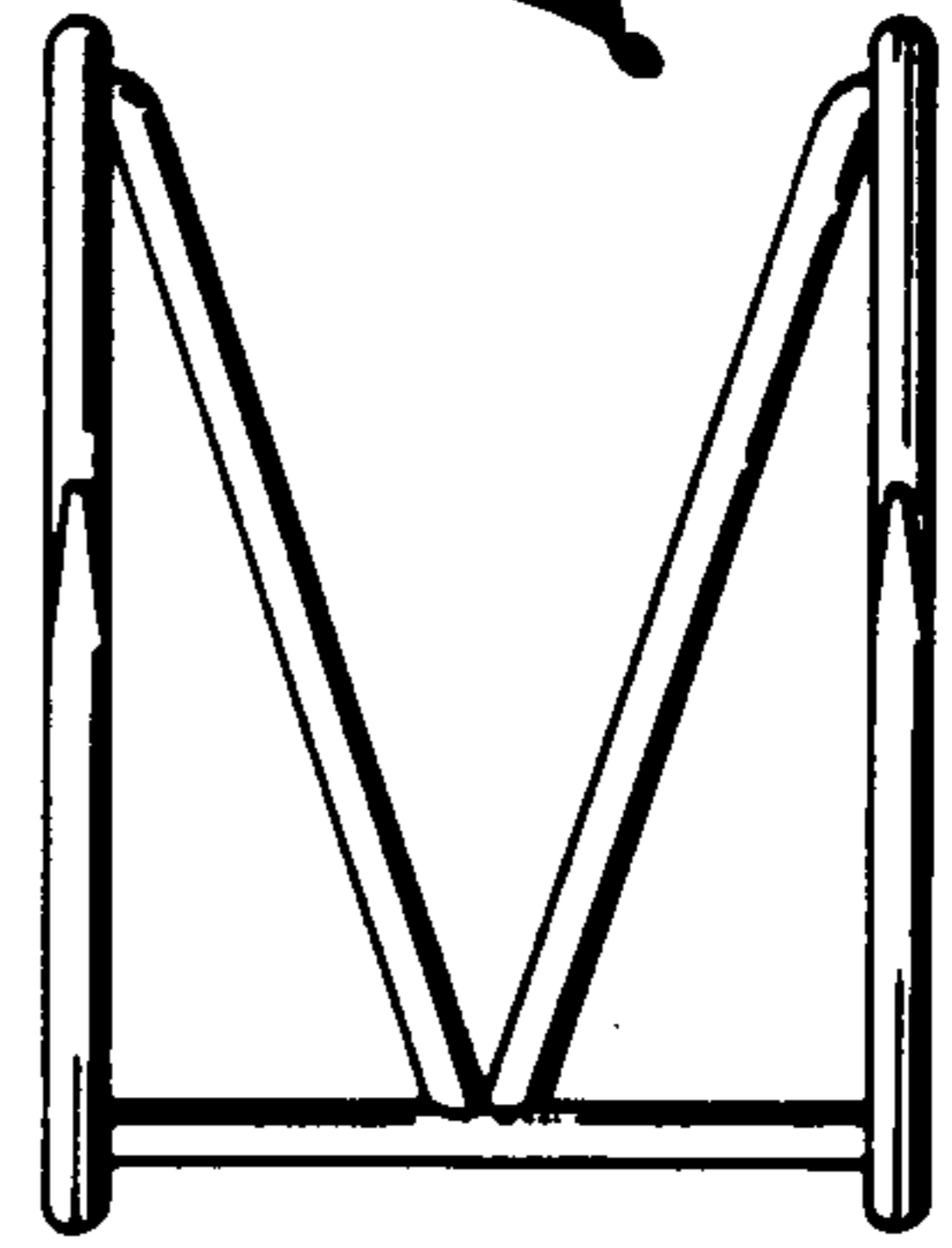


Fig. 5.