

[54] VACUUM CLEANER

[75] Inventors: Haruo Miyazaki, Osaka; Kazuo Takada, Nara, both of Japan

[73] Assignee: Sanyo Electric Co., Ltd., Osaka, Japan

[**] Term: 14 Years

[21] Appl. No.: 475,651

[22] Filed: Feb. 5, 1990

[30] Foreign Application Priority Data

Aug. 11, 1989 [JP]	Japan	1-29604
[52] U.S. Cl.		D32/18
[58] Field of Search		D32/17-18;
		15/344, 329; 294/1.4, 1.3, 1.5

[56]

References Cited

U.S. PATENT DOCUMENTS

D. 81,678	7/1930	Tuteur	D32/18
D. 82,003	9/1930	Smellic	D32/18
D. 162,312	3/1951	Karstadt	D32/18
D. 303,170	8/1989	Hirano	D32/18
D. 306,657	3/1990	Fushiya et al.	D32/17

Primary Examiner—A. Hugo Word
Assistant Examiner—Ruth McInroy
Attorney, Agent, or Firm—Darby & Darby

[57]

CLAIM

The ornamental design for a vacuum cleaner, as shown.

DESCRIPTION

FIG. 1 is a top, front and left side perspective view of a vacuum cleaner showing our new design; FIG. 2 is a left side elevational view thereof; FIG. 3 is a right side elevational view thereof; FIG. 4 is a top plan view thereof; FIG. 5 is a bottom plan view thereof; FIG. 6 is a front elevational view thereof; FIG. 7 is a rear elevational view thereof.

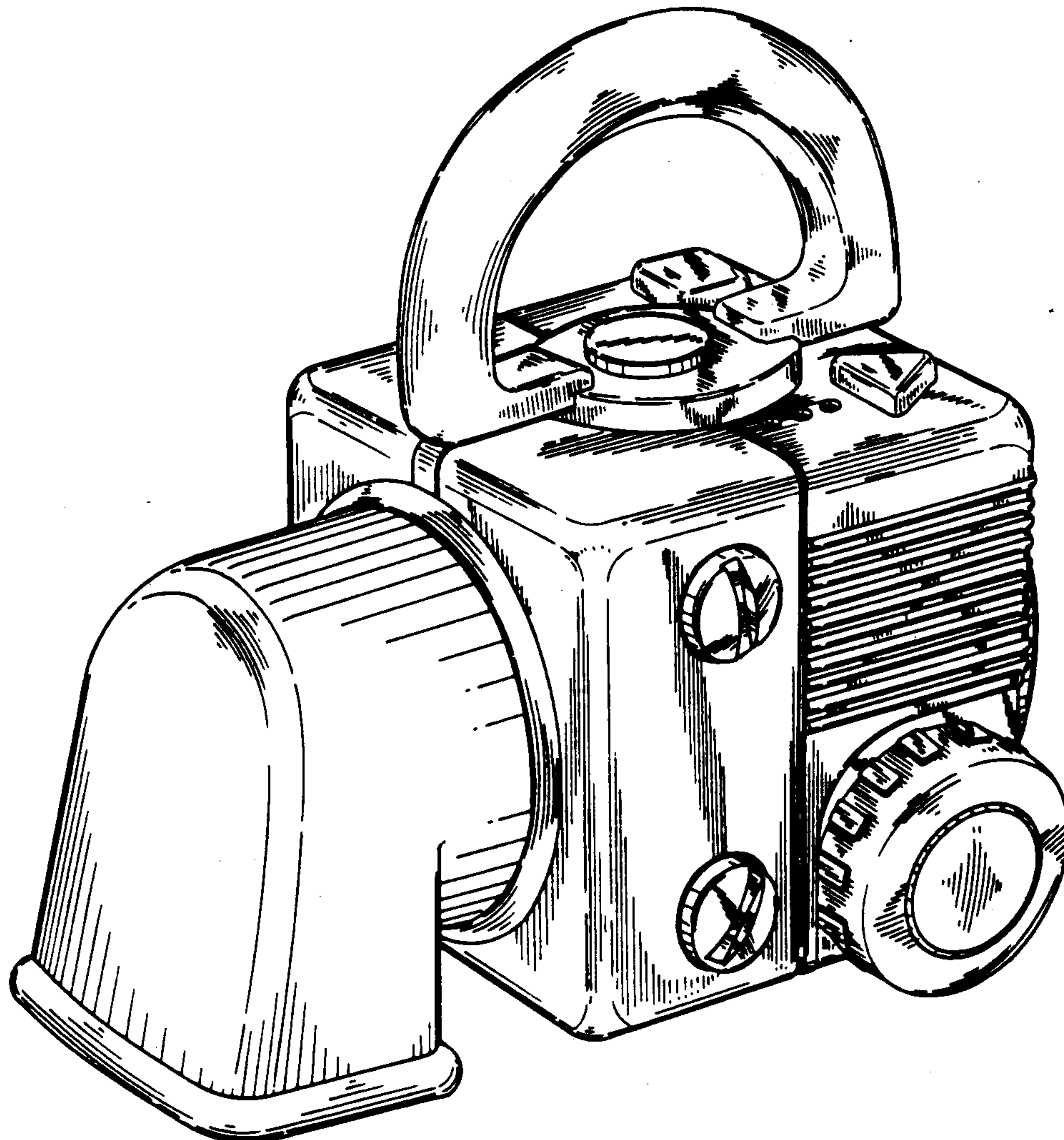
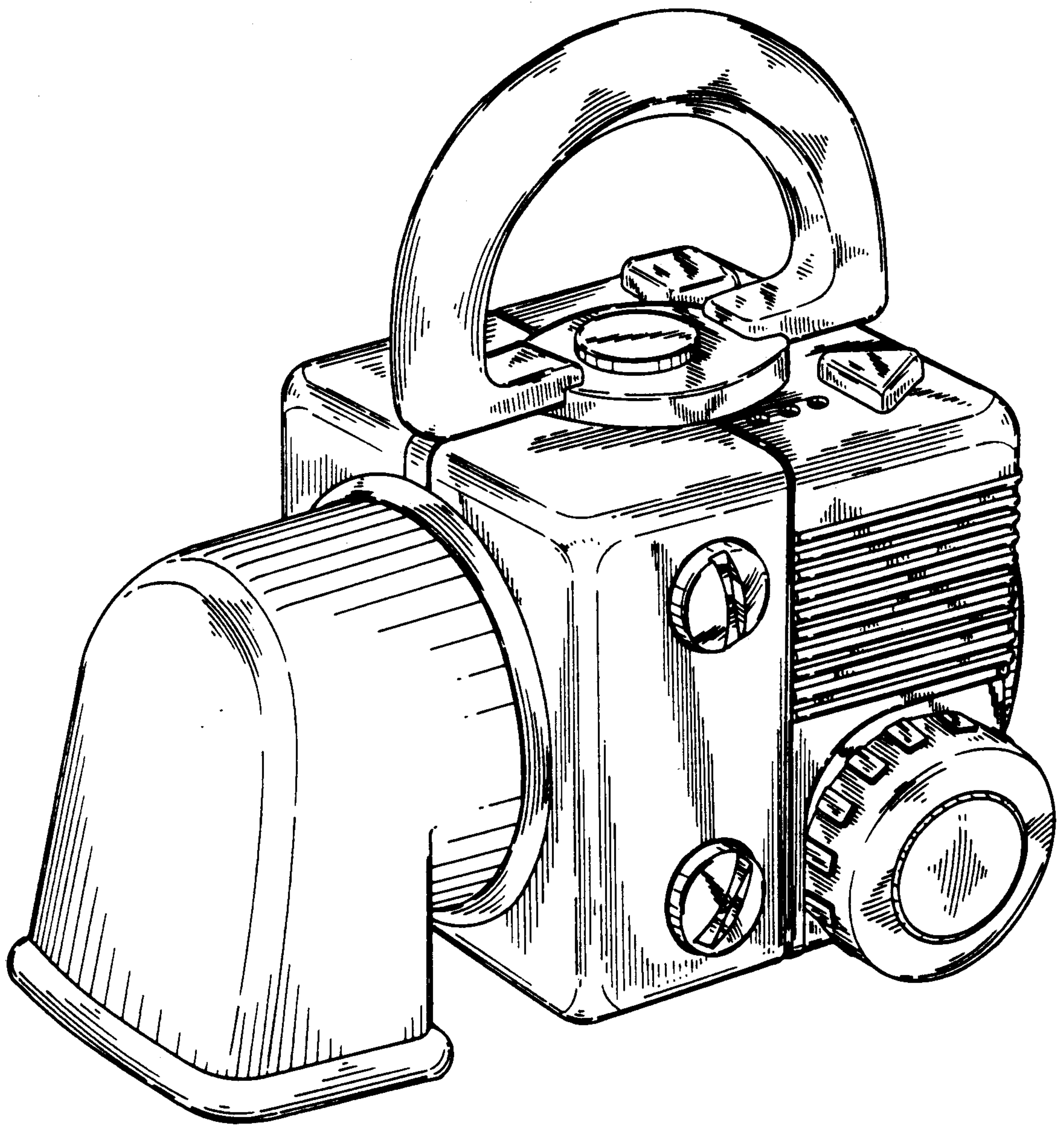


FIG. 1



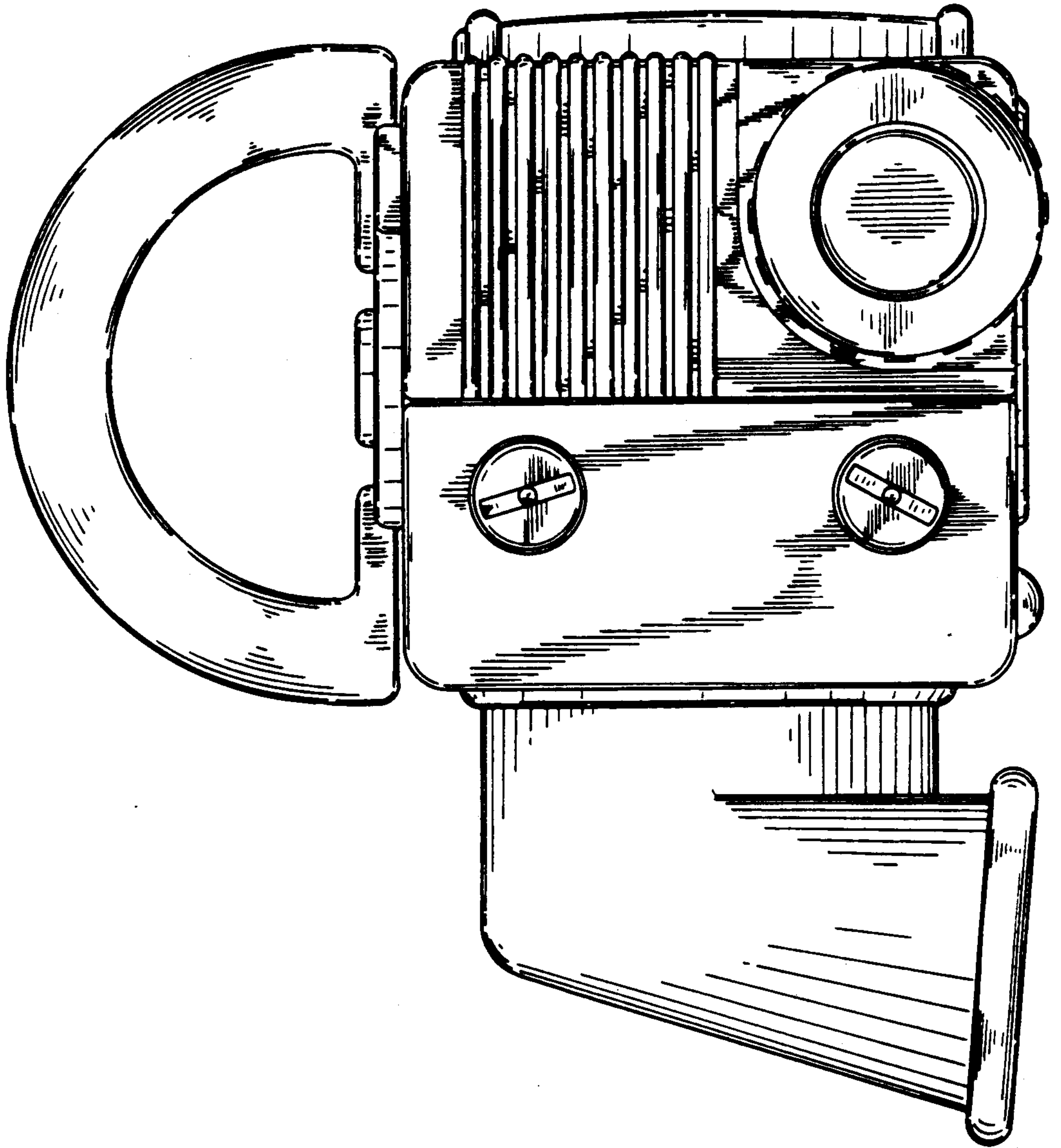


FIG. 2

FIG. 3

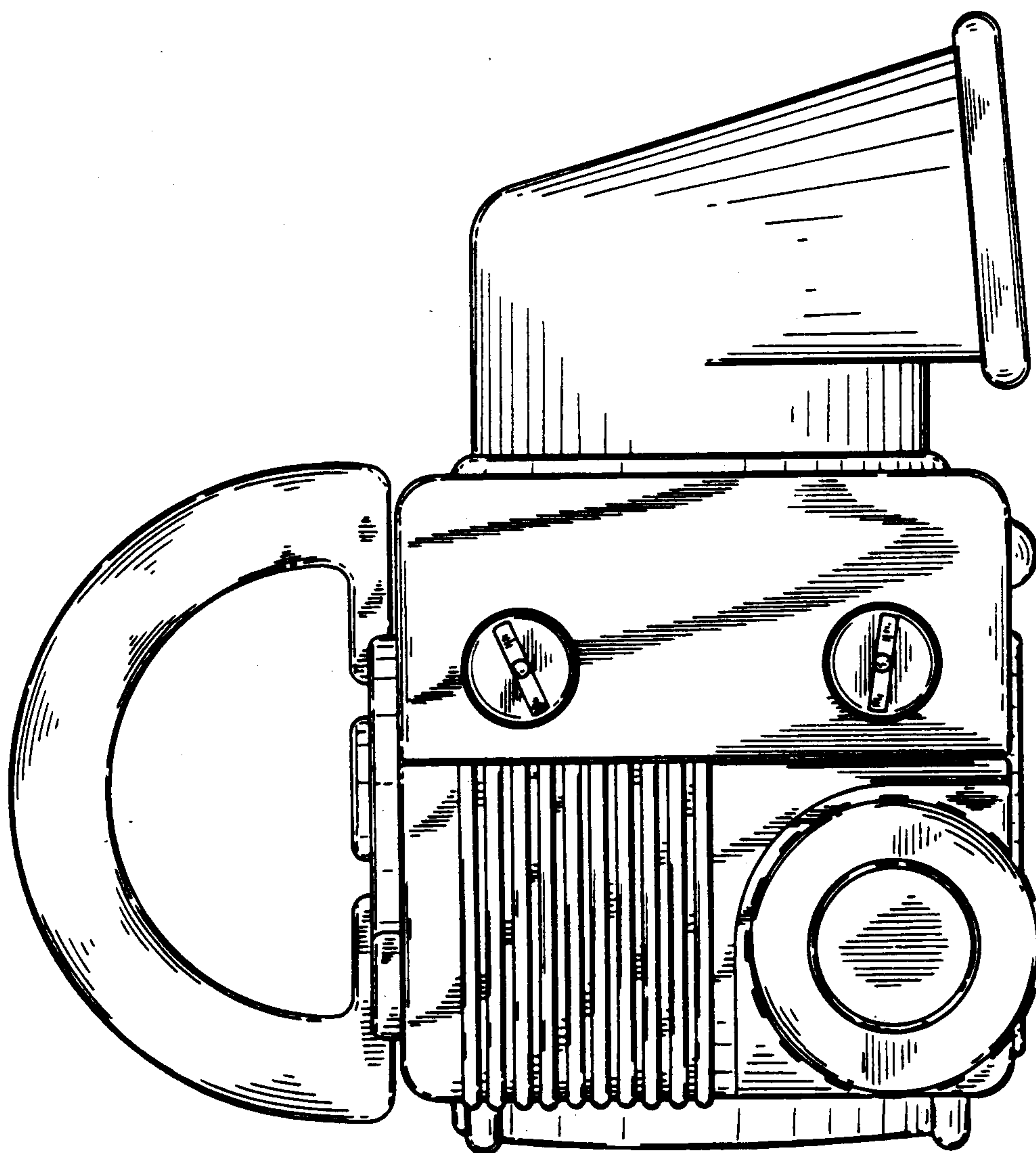


FIG. 4

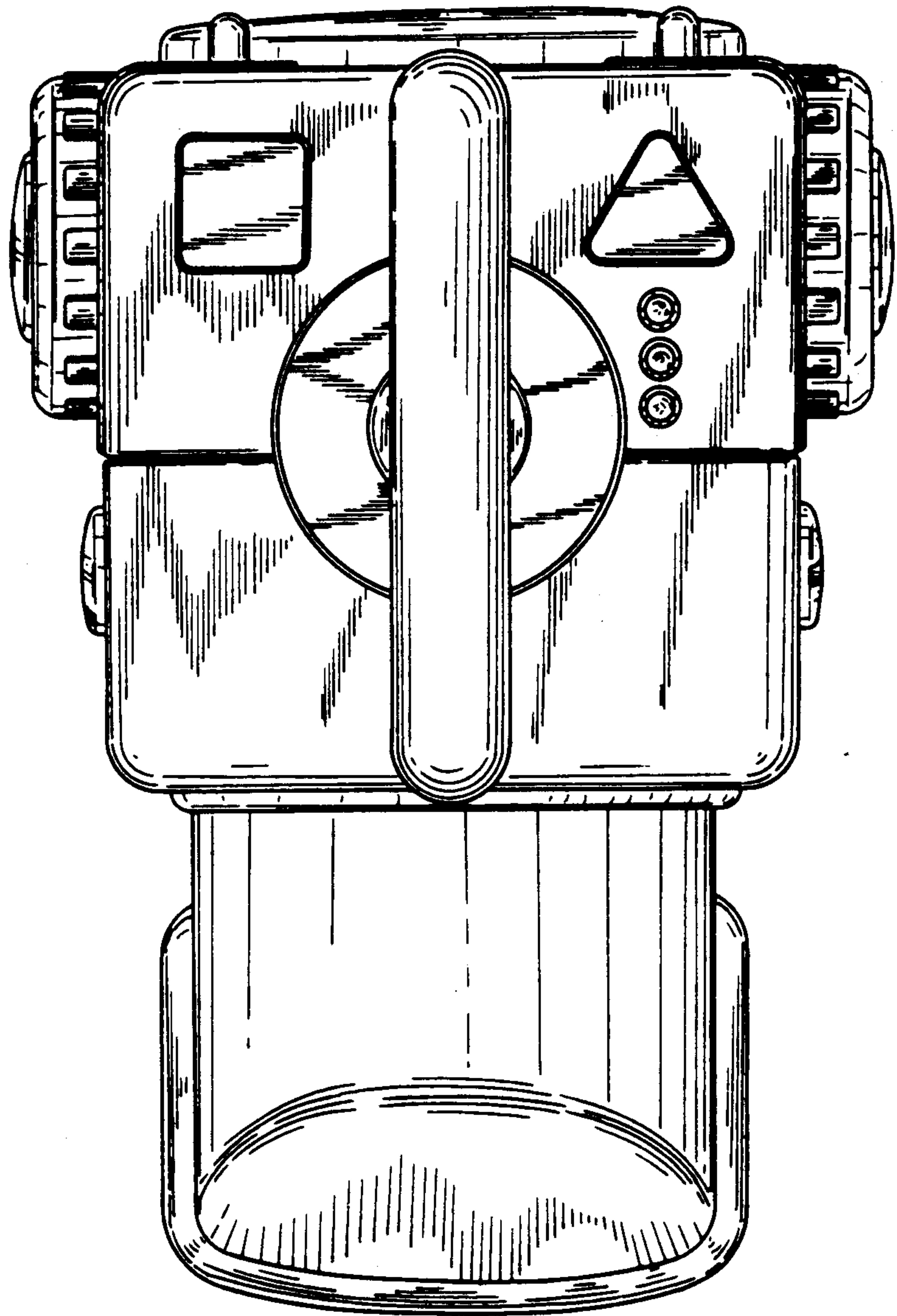


FIG. 5

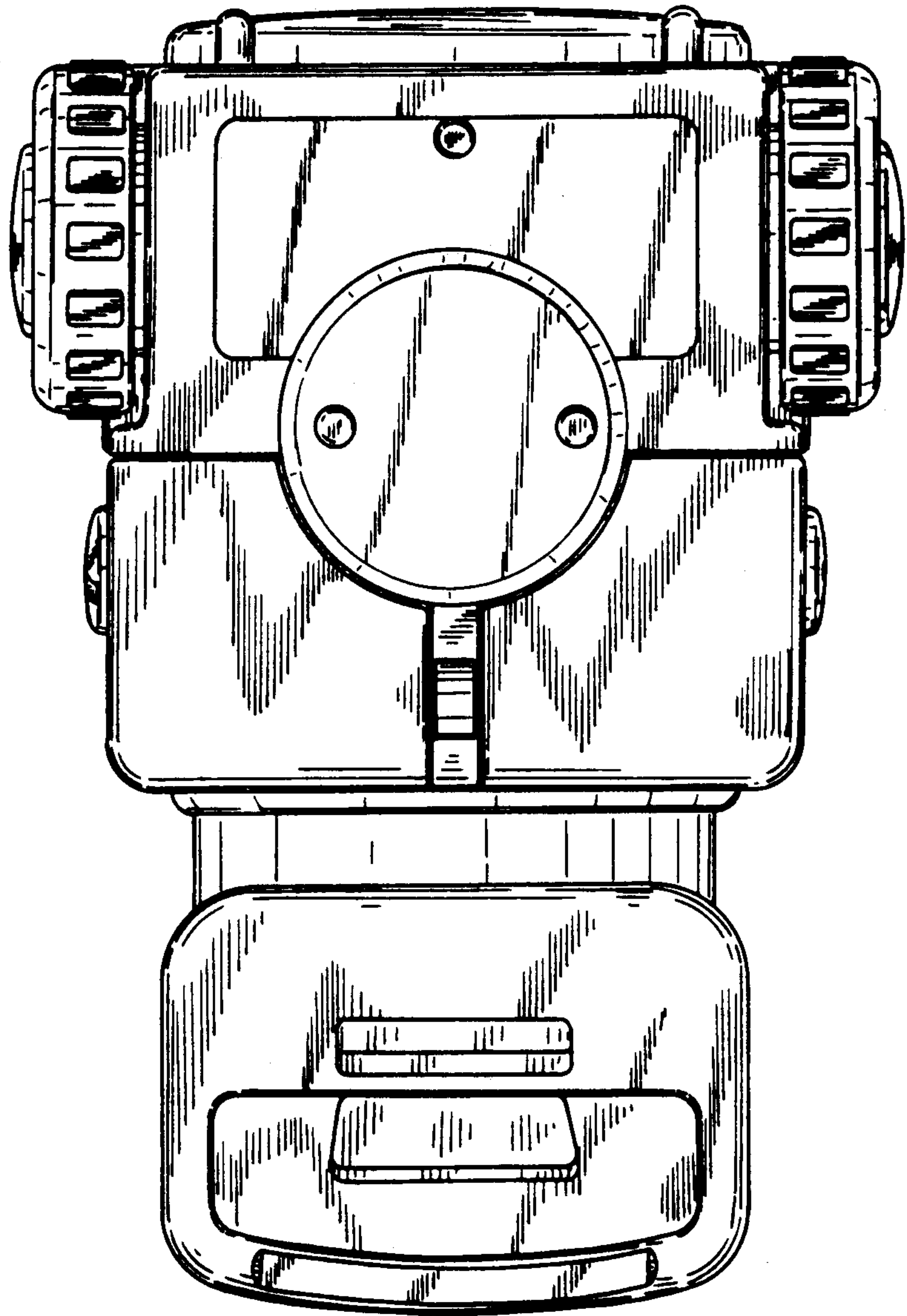


FIG. 6

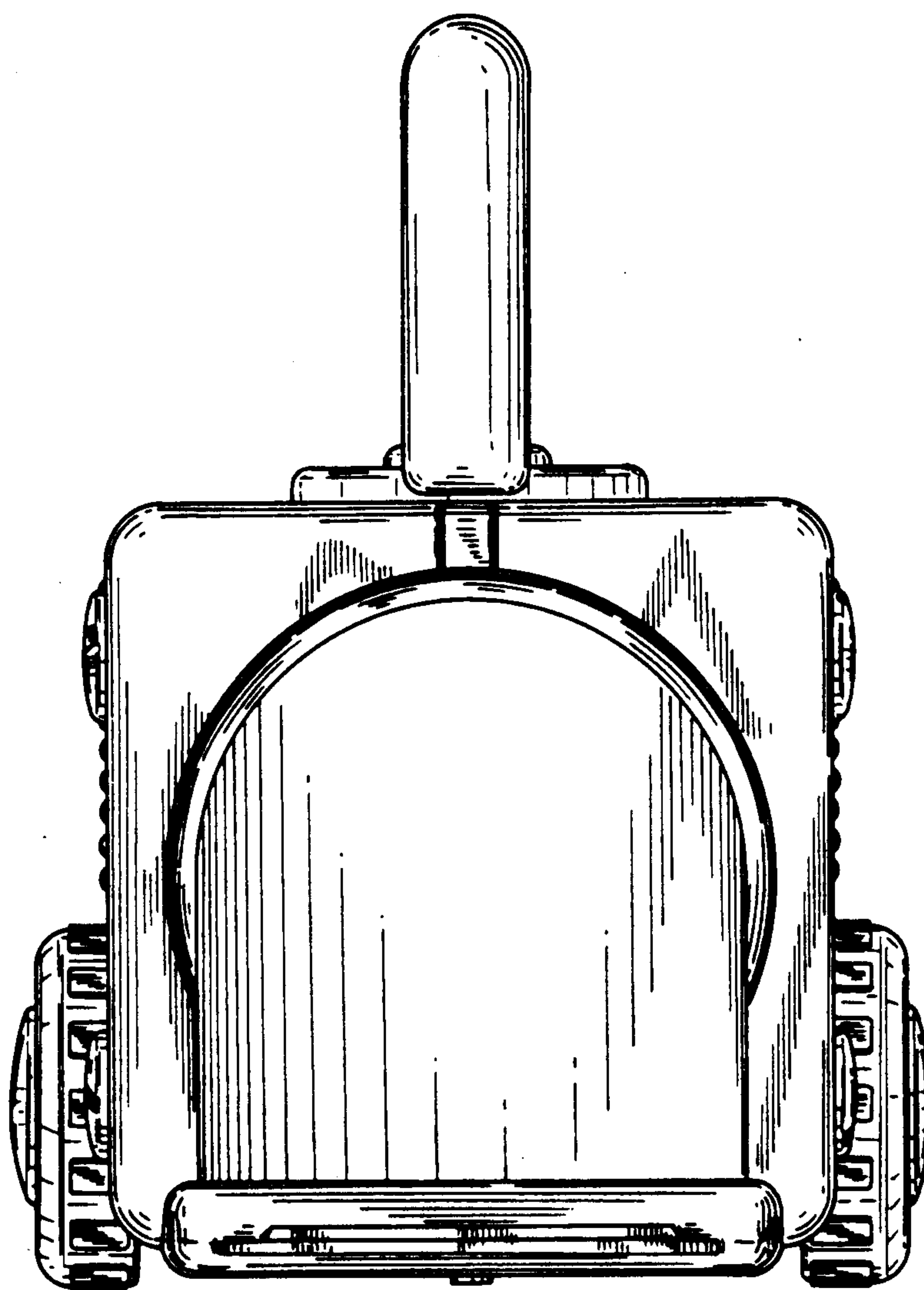


FIG. 7

