

[54] **MASK FOR PAINT BALL TAG GAMES**

[76] **Inventor: Larry R. Johnson, R.R. 1, Box 15,
Zimmerman, Minn. 55398**

[**] **Term: 14 Years**

[21] **Appl. No.: 944,826**

[22] **Filed: Dec. 22, 1986**

[52] **U.S. Cl. D29/17**

[58] **Field of Search D29/7-10,
D29/12, 15-18**

[56] **References Cited**

U.S. PATENT DOCUMENTS

- D. 220,376 4/1971 Brown D29/15
- D. 229,375 11/1973 Beaudin D29/8
- D. 257,073 9/1980 Jenkins D29/15

D. 257,698 12/1980 Skottheim D29/16

Primary Examiner—A. Hugo Word
Assistant Examiner—Ruth McInroy
Attorney, Agent, or Firm—Peterson, Wicks, Nemer &
Kamrath

[57] **CLAIM**

The ornamental design for a mask for paint ball tag games, as shown.

DESCRIPTION

FIG. 1 is a front perspective view of a mask for paint ball tag games showing my new design; FIG. 2 is a front elevational view thereof; FIG. 3 is a left side elevational view thereof; FIG. 4 is a top plan view thereof; and FIG. 5 is a bottom plan view thereof;

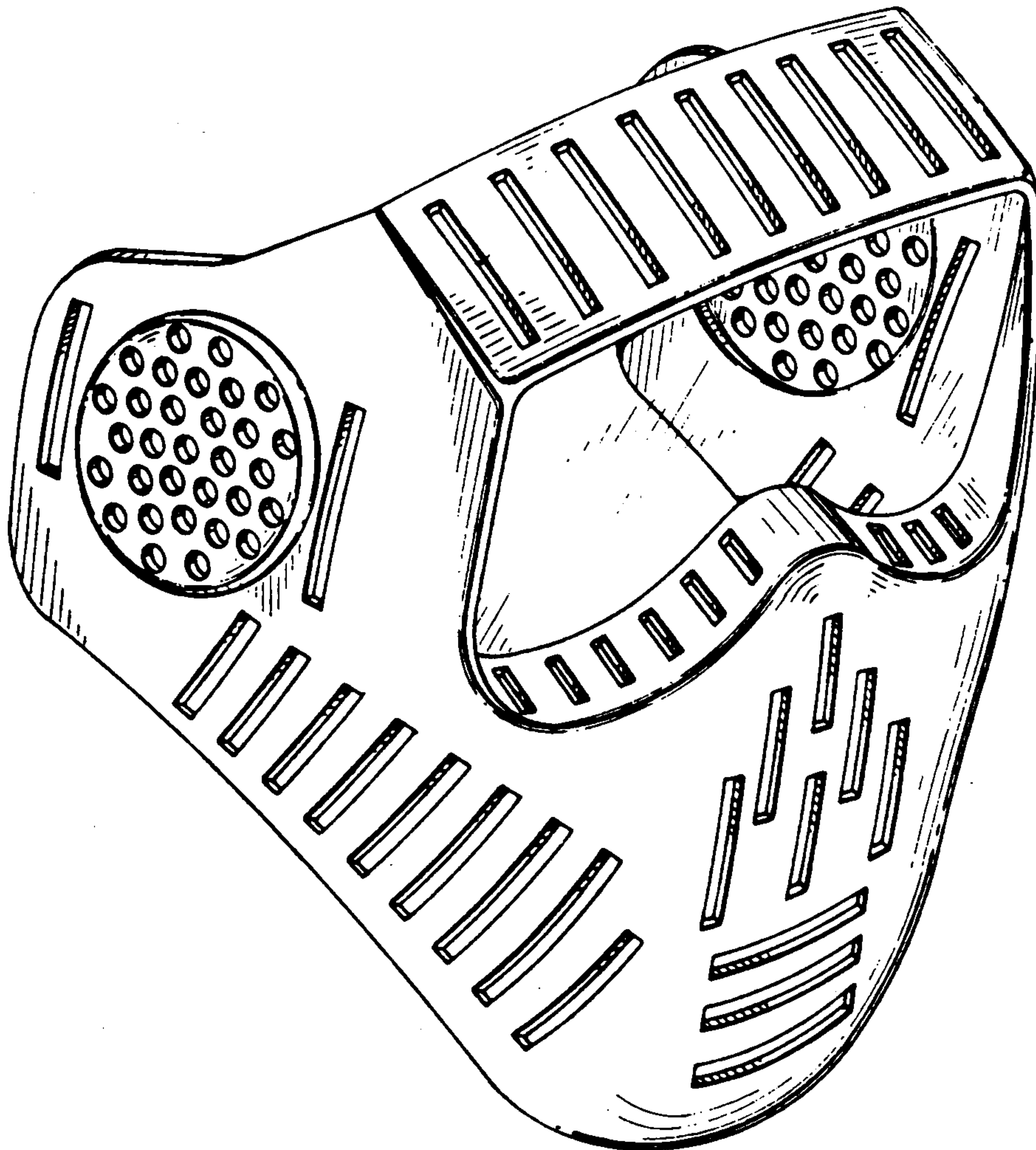


Fig. -1

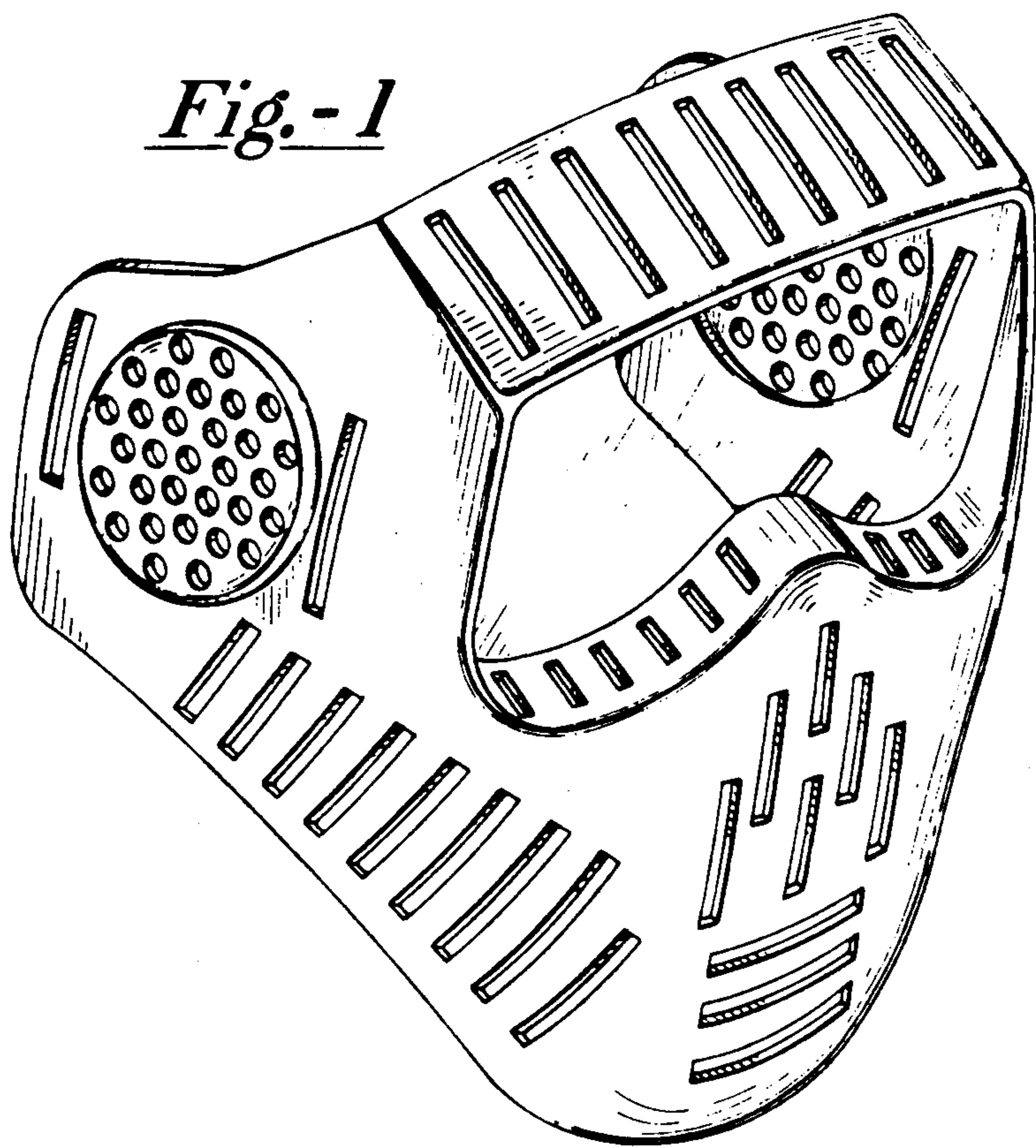
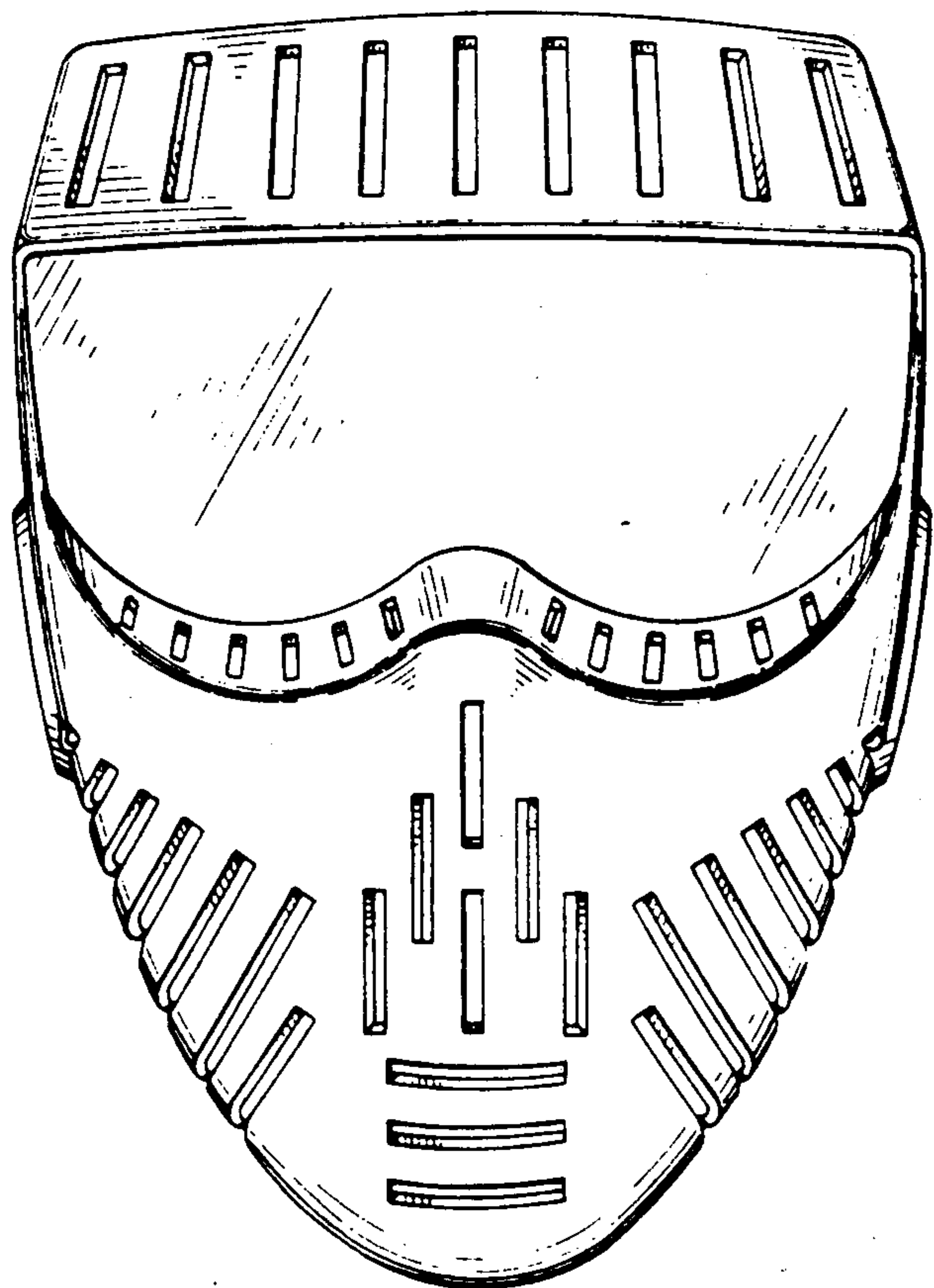


Fig. -2



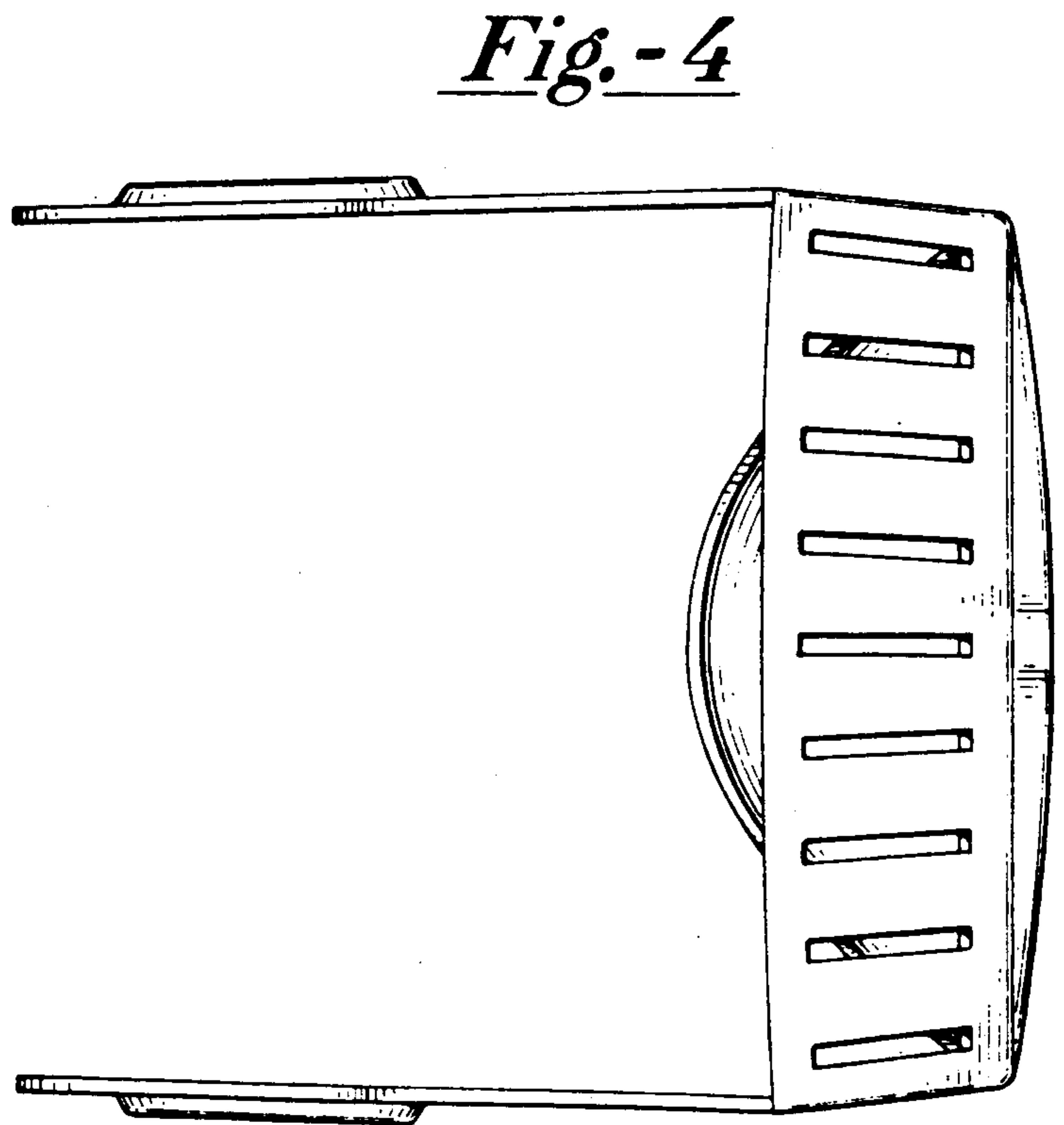
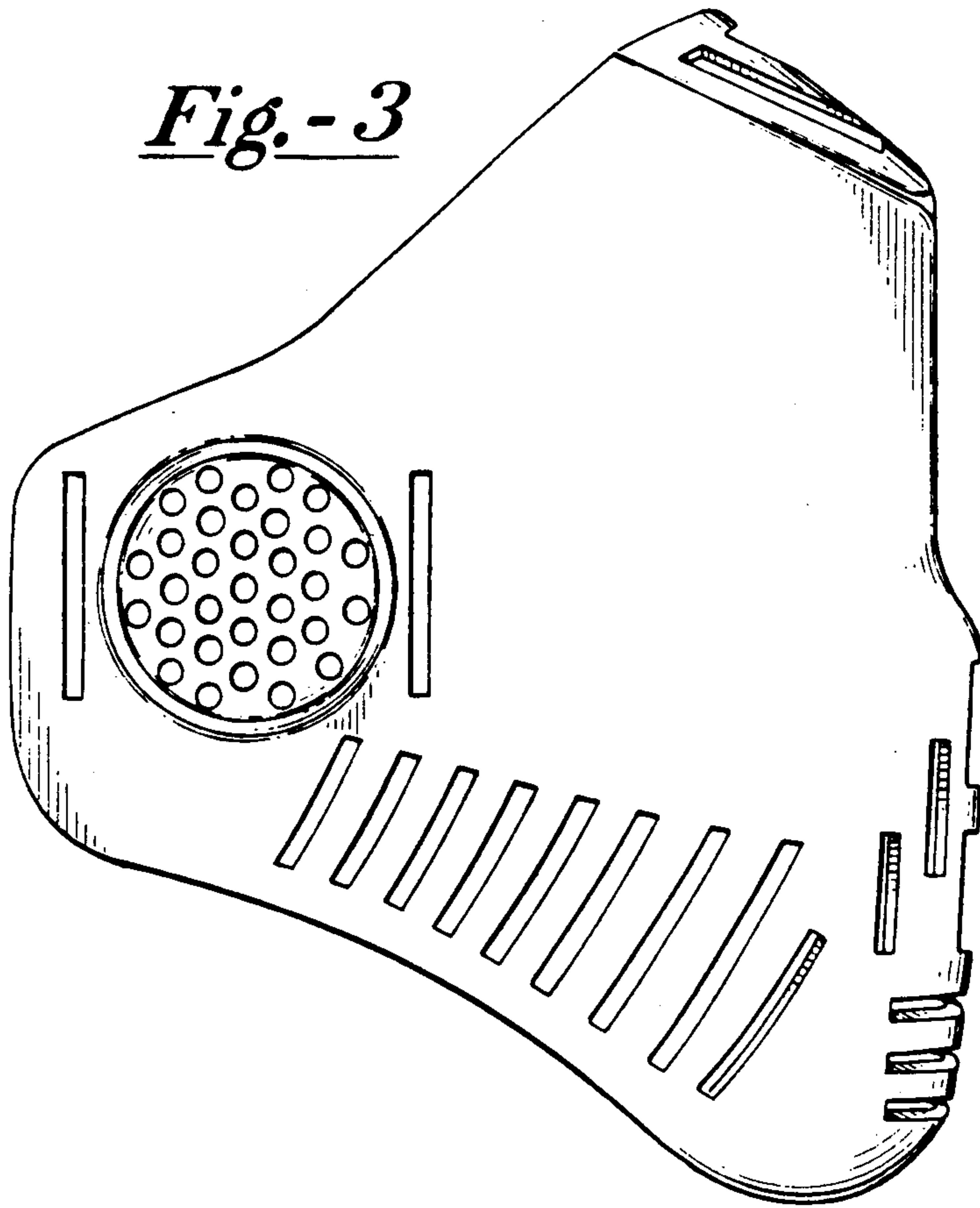


Fig. - 5

