

[54] COMBINED SPOKE-MOUNTED STRING OF BICYCLE LIGHTS AND SWITCH THEREFOR

[76] Inventor: Terrence J. Moore, 4 Parkside Way, Ormond Beach, Fla. 32074

[**] Term: 14 Years

[21] Appl. No.: 328,602

[22] Filed: Mar. 27, 1989

[52] U.S. Cl. D26/35; D26/25

[58] Field of Search D26/28-36, D26/25; 362/61, 80, 80.1, 81, 82, 83, 83.2, 83.3, 72, 227, 235-241; 340/432; 249/246, 247, 240; 341/37 R, 37 SA

[56] References Cited

U.S. PATENT DOCUMENTS

D. 221,682	8/1971	Wyatt	D26/36
3,987,409	10/1976	Freeman	340/432
4,135,229	1/1979	Modurkay	301/37 R X
4,656,564	4/1987	Felder	340/475 X
4,800,469	1/1989	Leon	362/72

OTHER PUBLICATIONS

J. C. Whitney Catalog #376A, ©1978, p. 109, Directional Signal Lights.

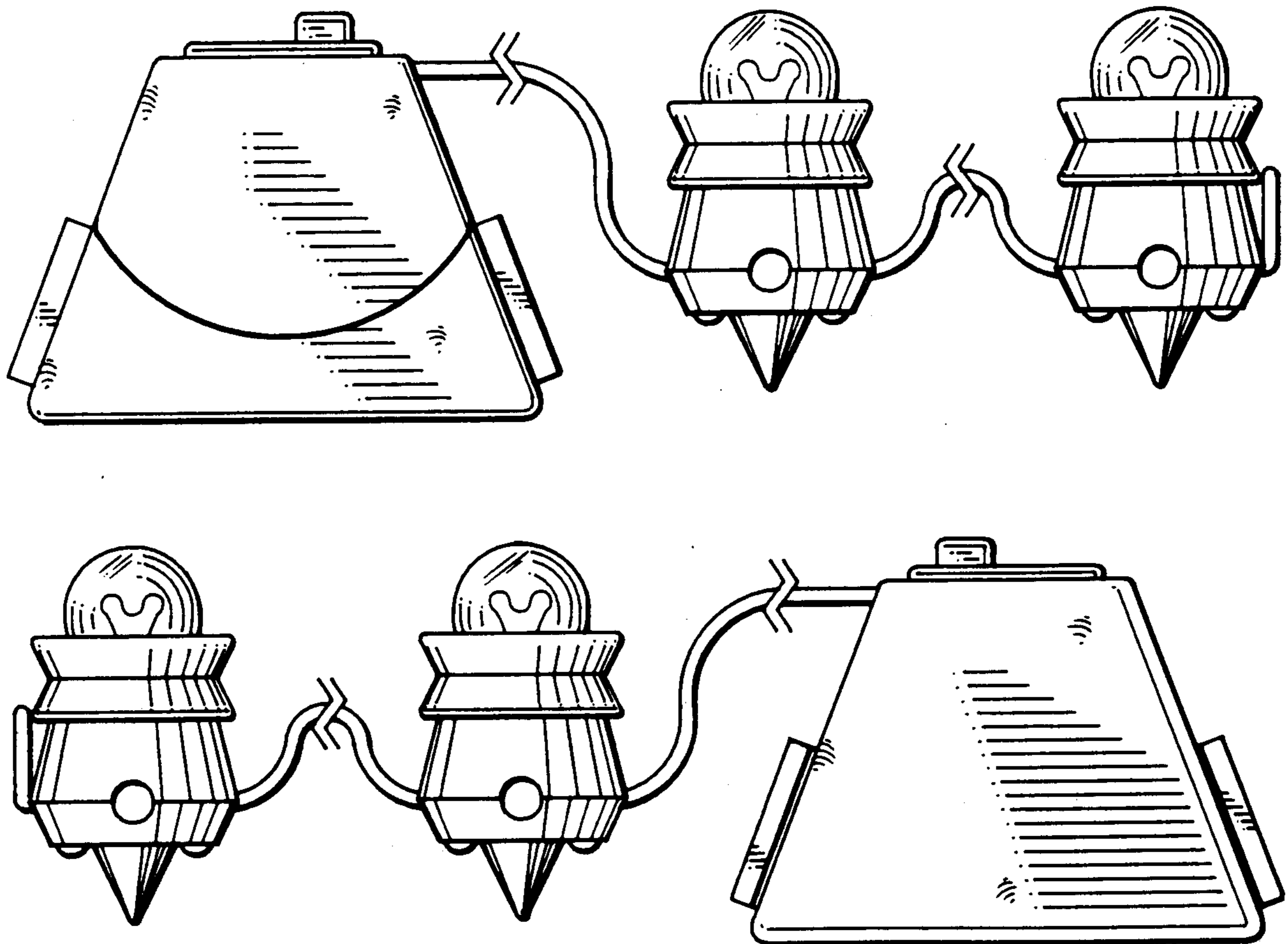
Primary Examiner—Susan J. Lucas
Attorney, Agent, or Firm—Jerry T. Kearns

[57] CLAIM

The ornamental design for a combined spoke-mounted string of bicycle lights and switch therefor, as shown and described.

DESCRIPTION

FIG. 1 is a front elevational view of a combined spoke-mounted string of bicycle lights and switch therefor showing my new design;
FIG. 2 is a rear elevational view thereof;
FIG. 3 is a left side elevational view thereof;
FIG. 4 is a right side elevational view thereof;
FIG. 5 is a top plan view thereof; and,
FIG. 6 is a bottom plan view thereof.
The cable connecting the lights and switch is broken away to indicate indeterminate length.



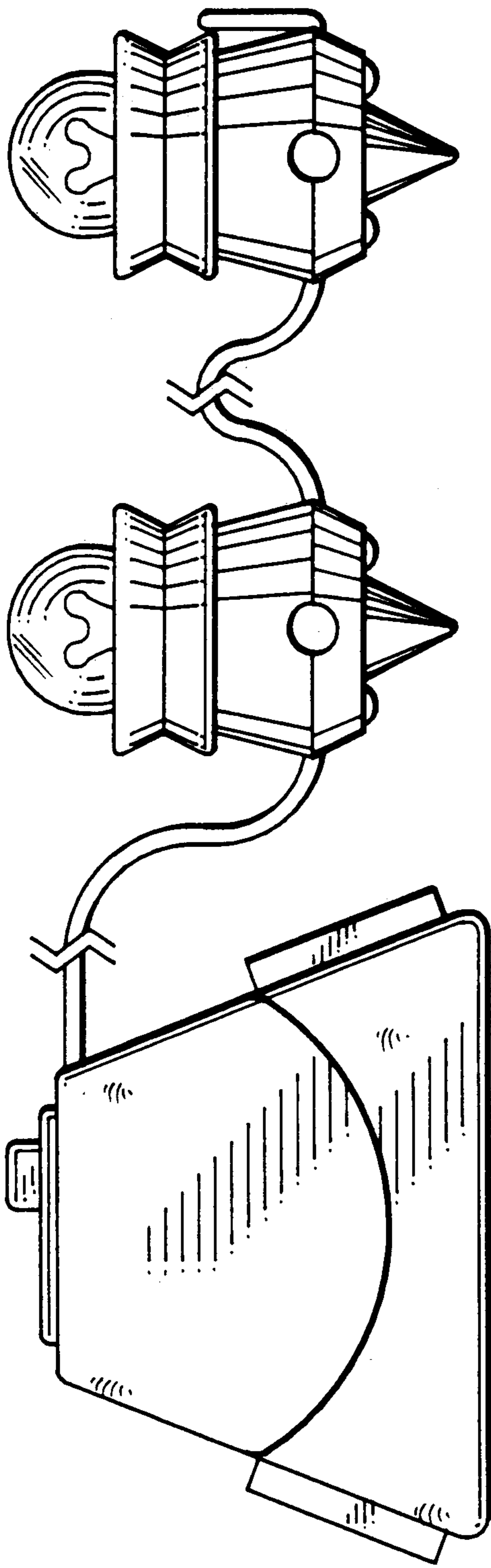


Fig. 1

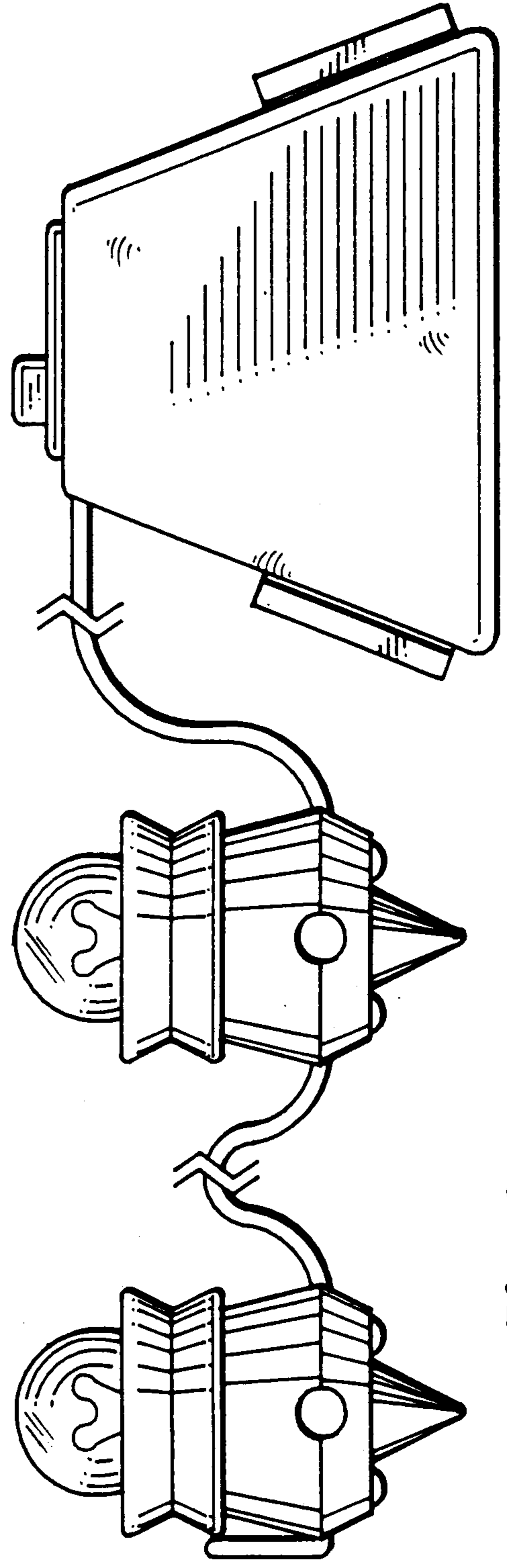


Fig. 2

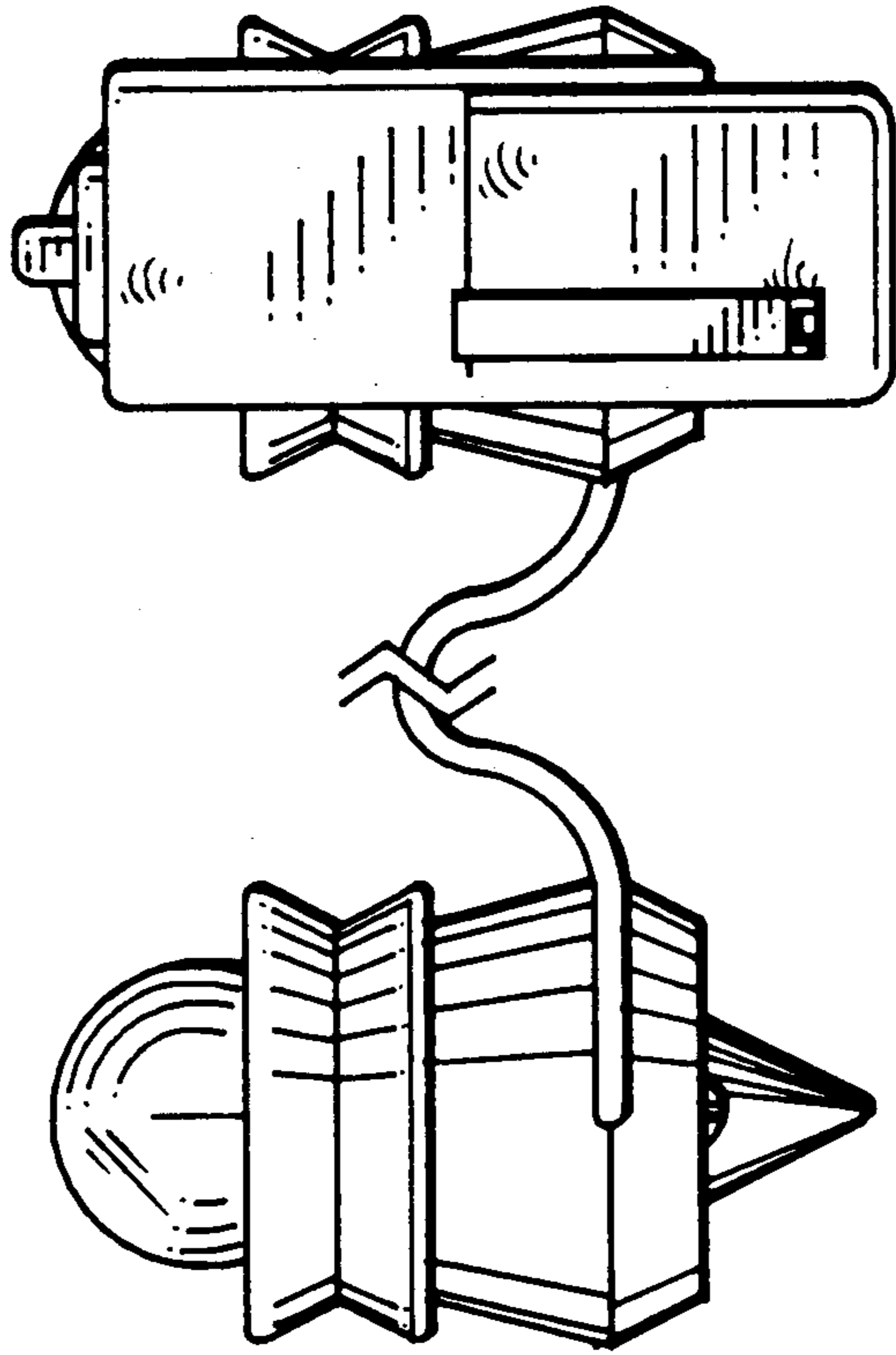


Fig. 4

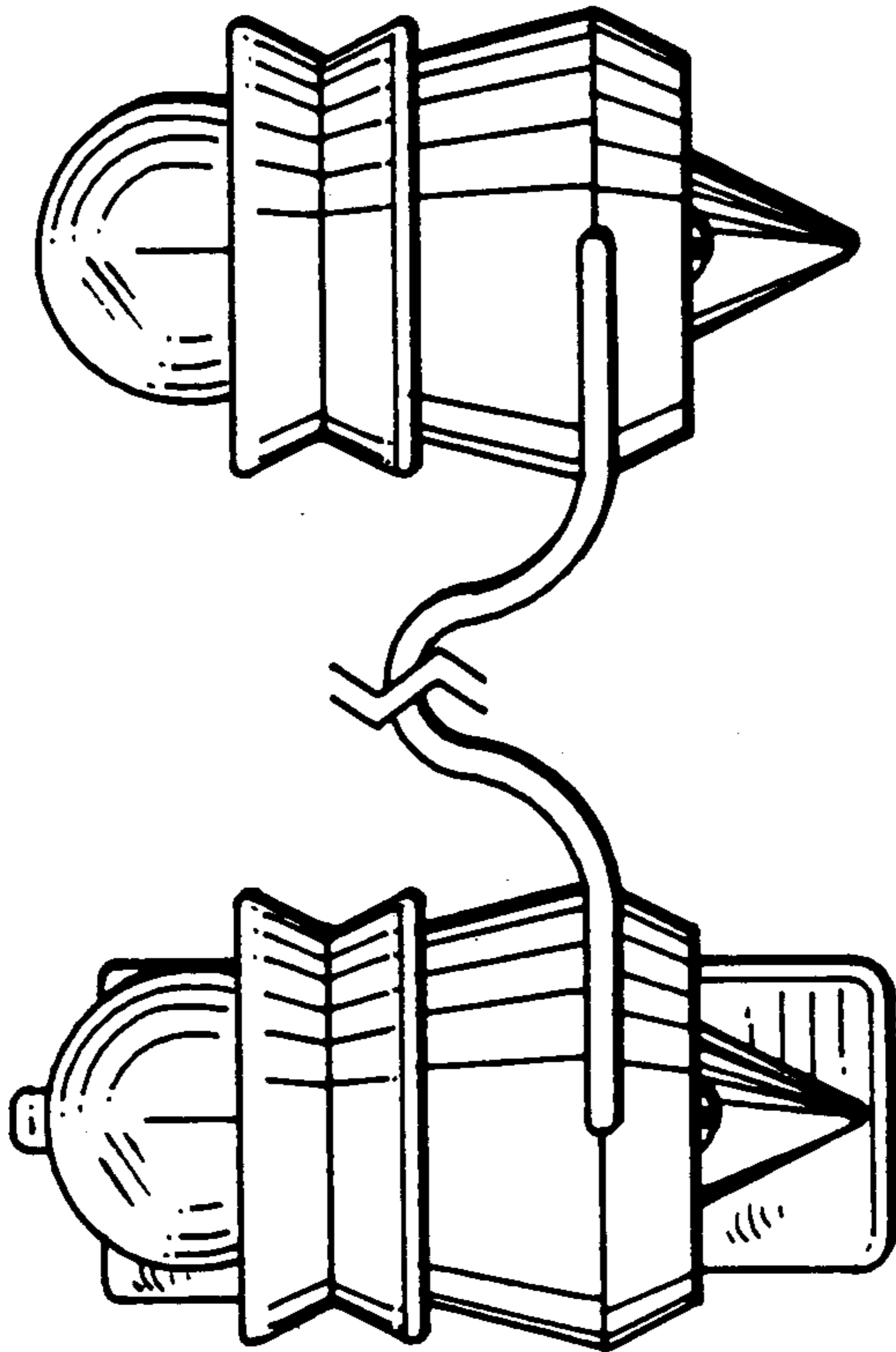


Fig. 3

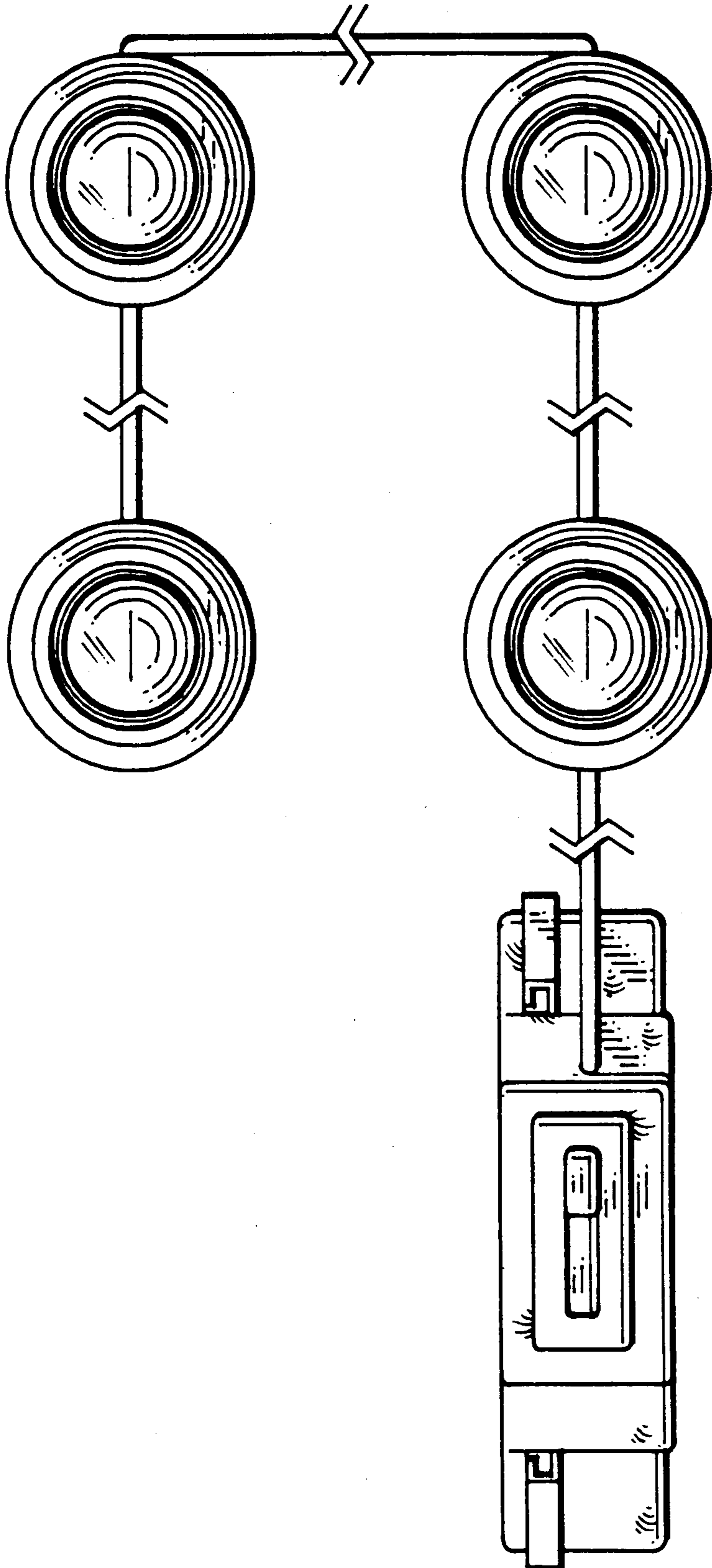


Fig. 5

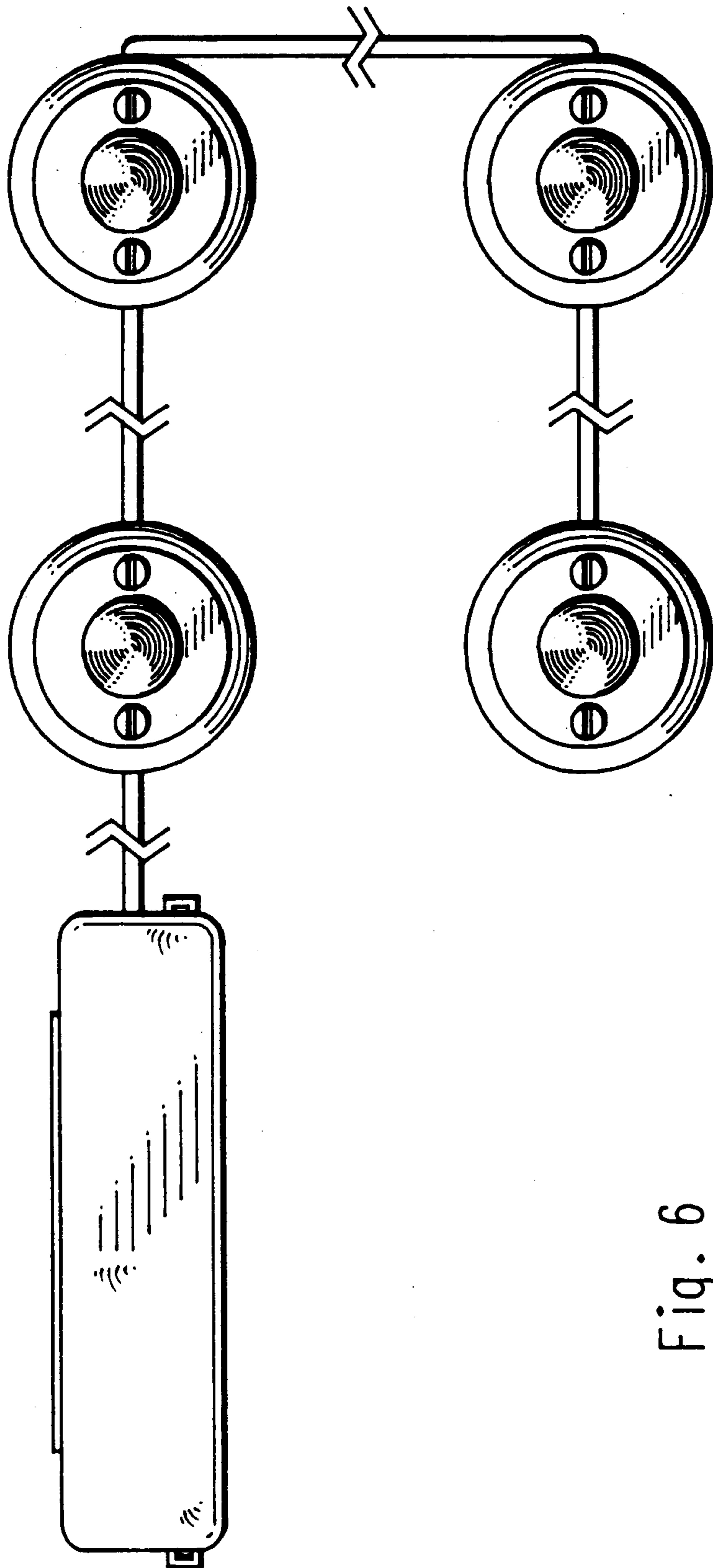


Fig. 6