

[54] PORTABLE HOT AIR HEATER

[76] Inventor: George Hall, 224 Salem Rd.,  
Tewksbury, Mass. 01876

[\*\*] Term: 14 Years

[21] Appl. No.: 353,508

[22] Filed: May 18, 1989

[52] U.S. Cl. .... D23/332

[58] Field of Search ..... D23/332, 338; 431/261,  
431/262; 126/204, 208, 259 R

[56] References Cited

U.S. PATENT DOCUMENTS

D. 288,958 3/1987 Smith ..... D23/332  
4,676,223 6/1987 Peterson ..... 126/208  
4,860,726 8/1989 Barker ..... 126/208

FOREIGN PATENT DOCUMENTS

440895 2/1927 Fed. Rep. of Germany ..... 126/208

Primary Examiner—James M. Gandy  
Assistant Examiner—Lisa Lichtenstein  
Attorney, Agent, or Firm—Jerry T. Kearns

[57] CLAIM

The ornamental design for a portable hot air heater, as shown and described.

DESCRIPTION

FIG. 1 is a front elevational view of a portable hot air heater showing my new design;

FIG. 2 is a rear elevational view thereof;

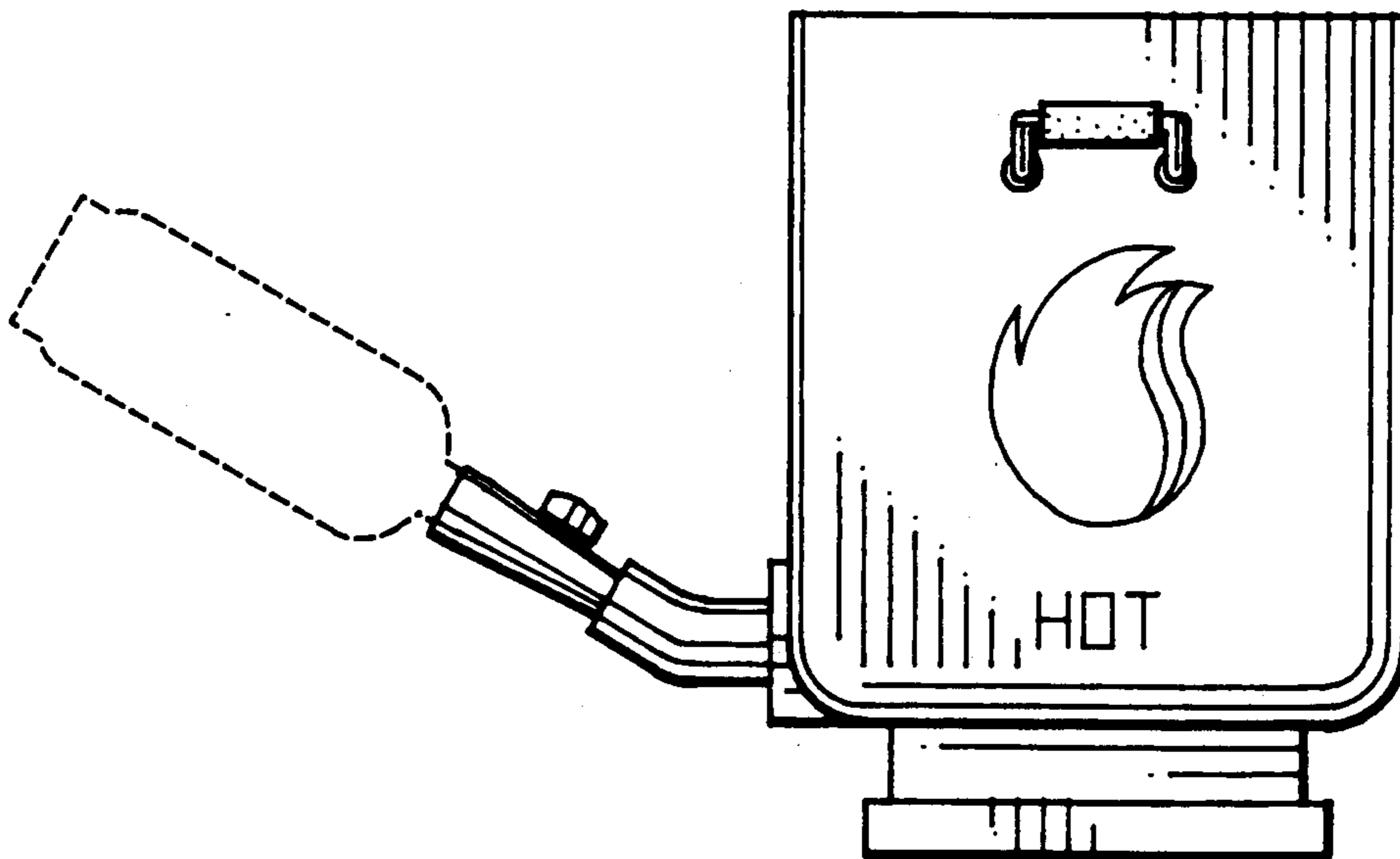
FIG. 3 is a left side elevational view thereof;

FIG. 4 is a right side elevational view thereof;

FIG. 5 is a top plan view thereof; and,

FIG. 6 is a bottom plan view thereof.

The broken-line showing of a fuel gas bottle in FIGS. 1, 2, 3, and 5, is for illustrative purposes only and forms no part of the claimed design.



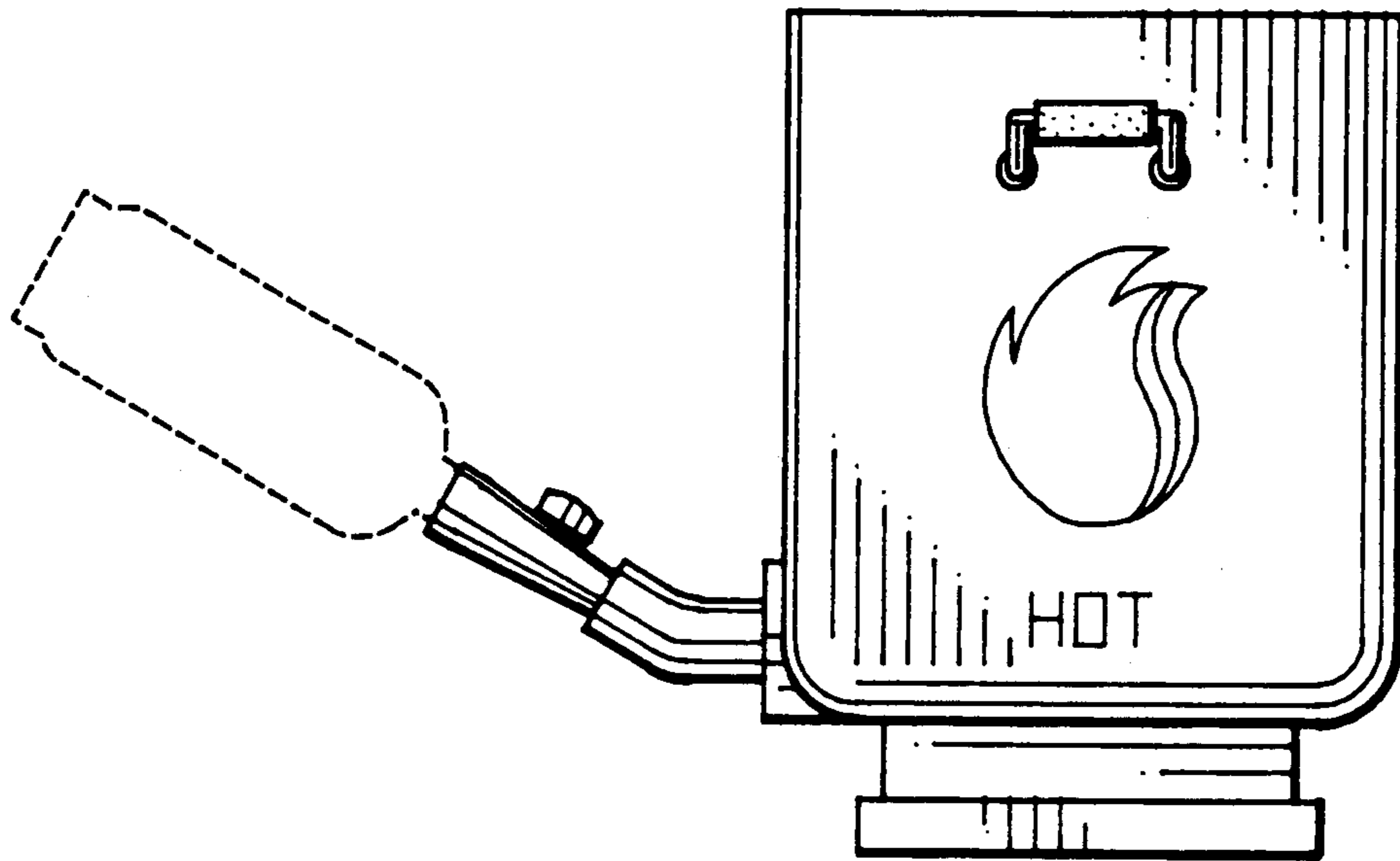


Fig. 1

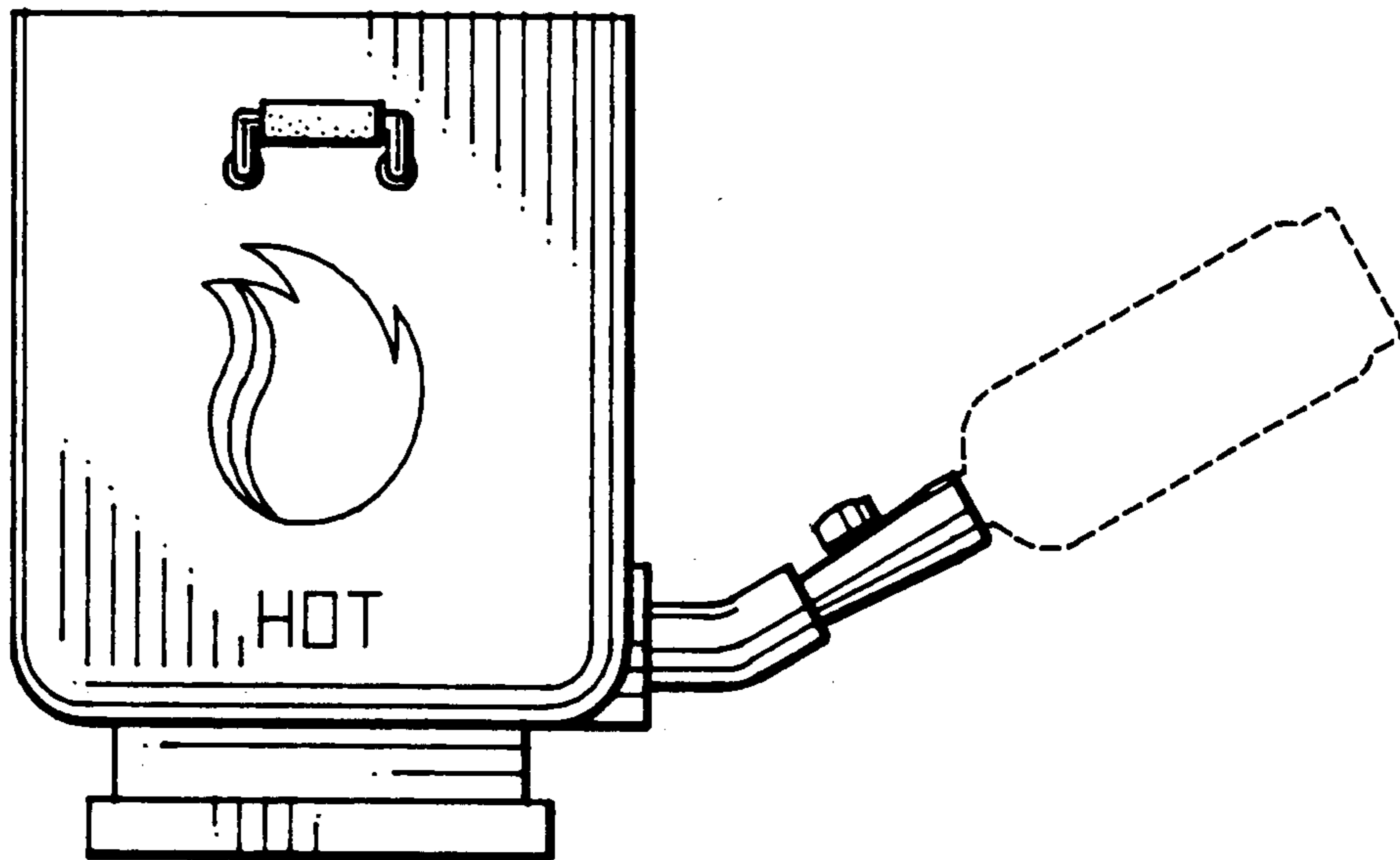


Fig. 2

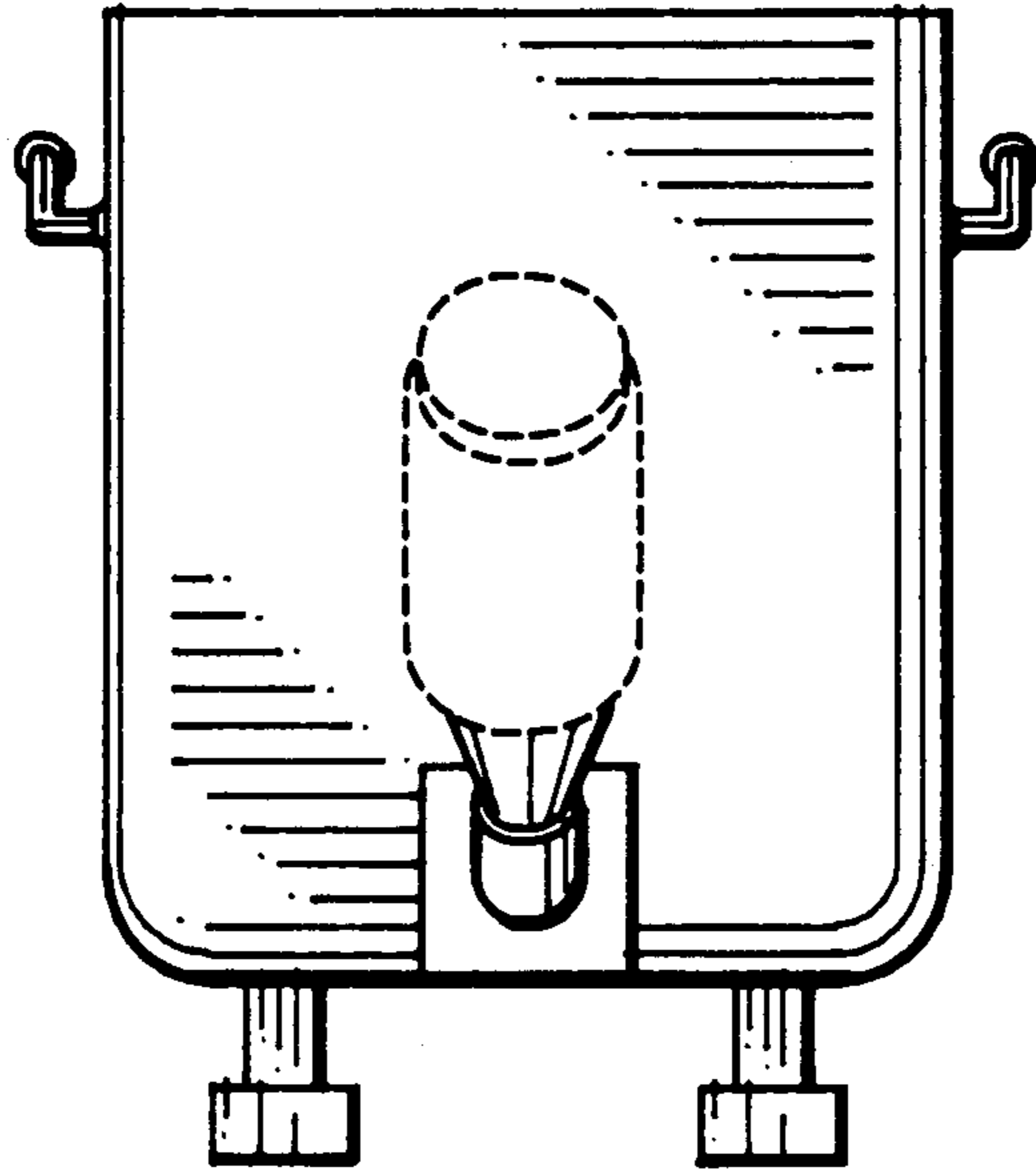


Fig. 3

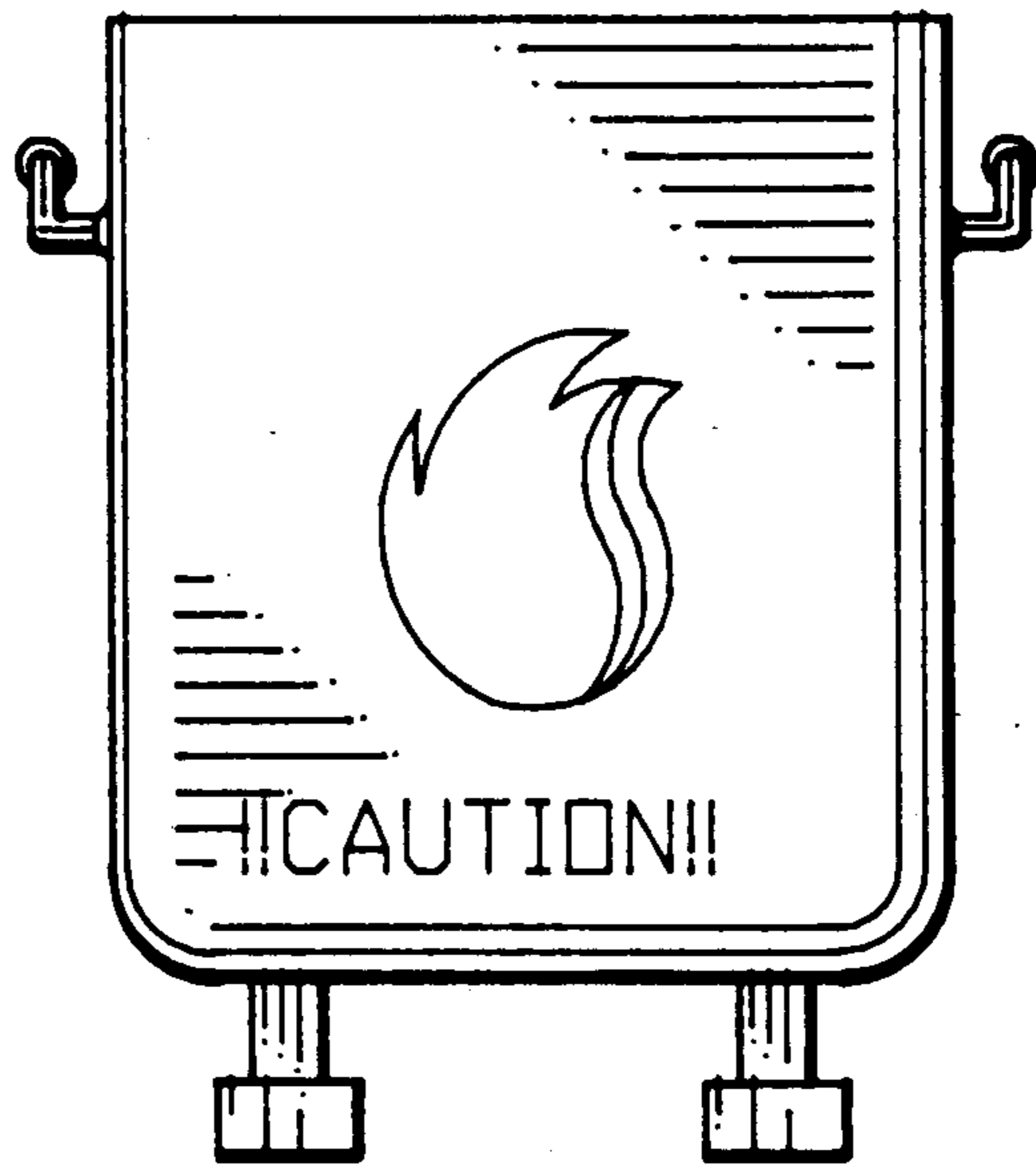


Fig. 4

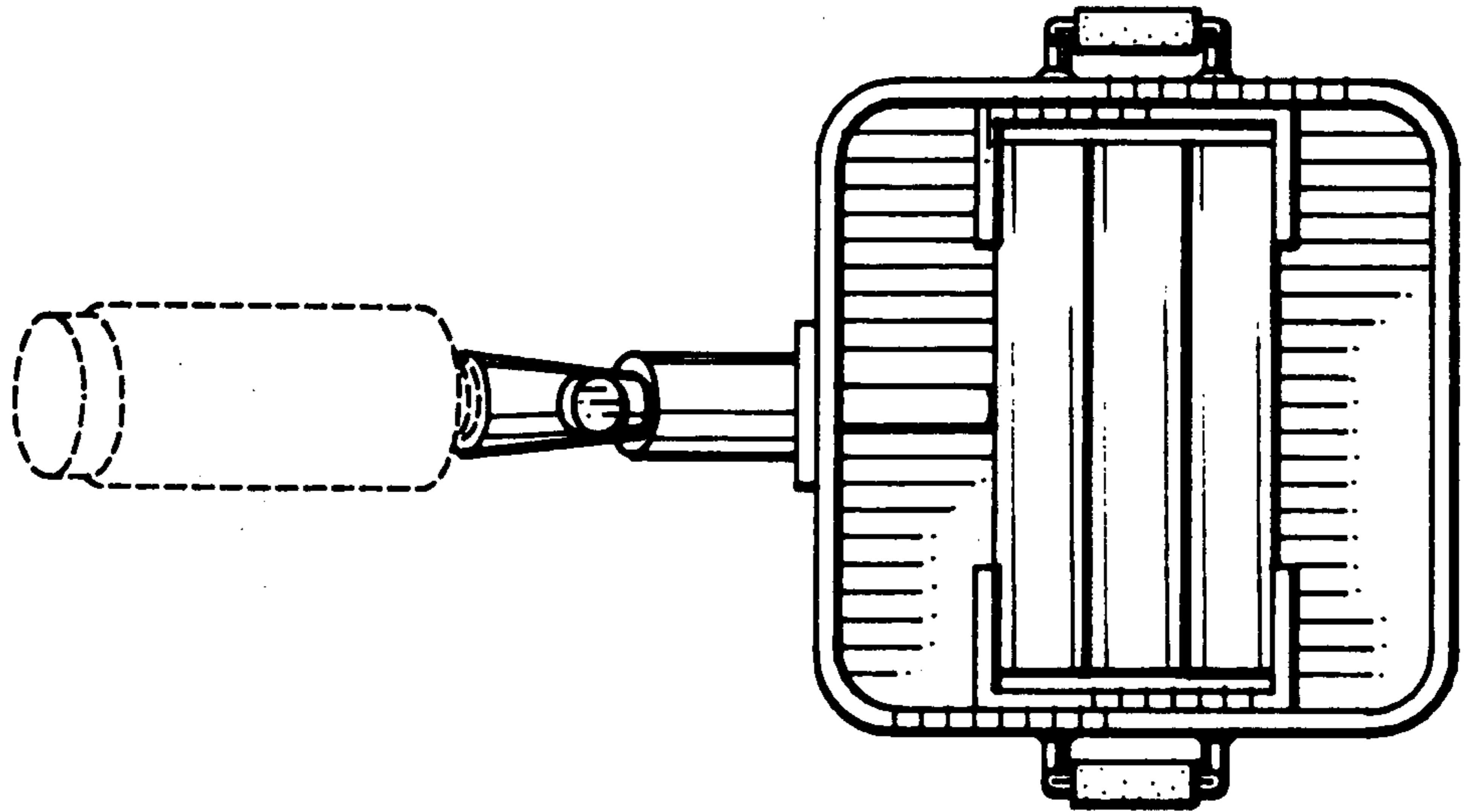


Fig. 5

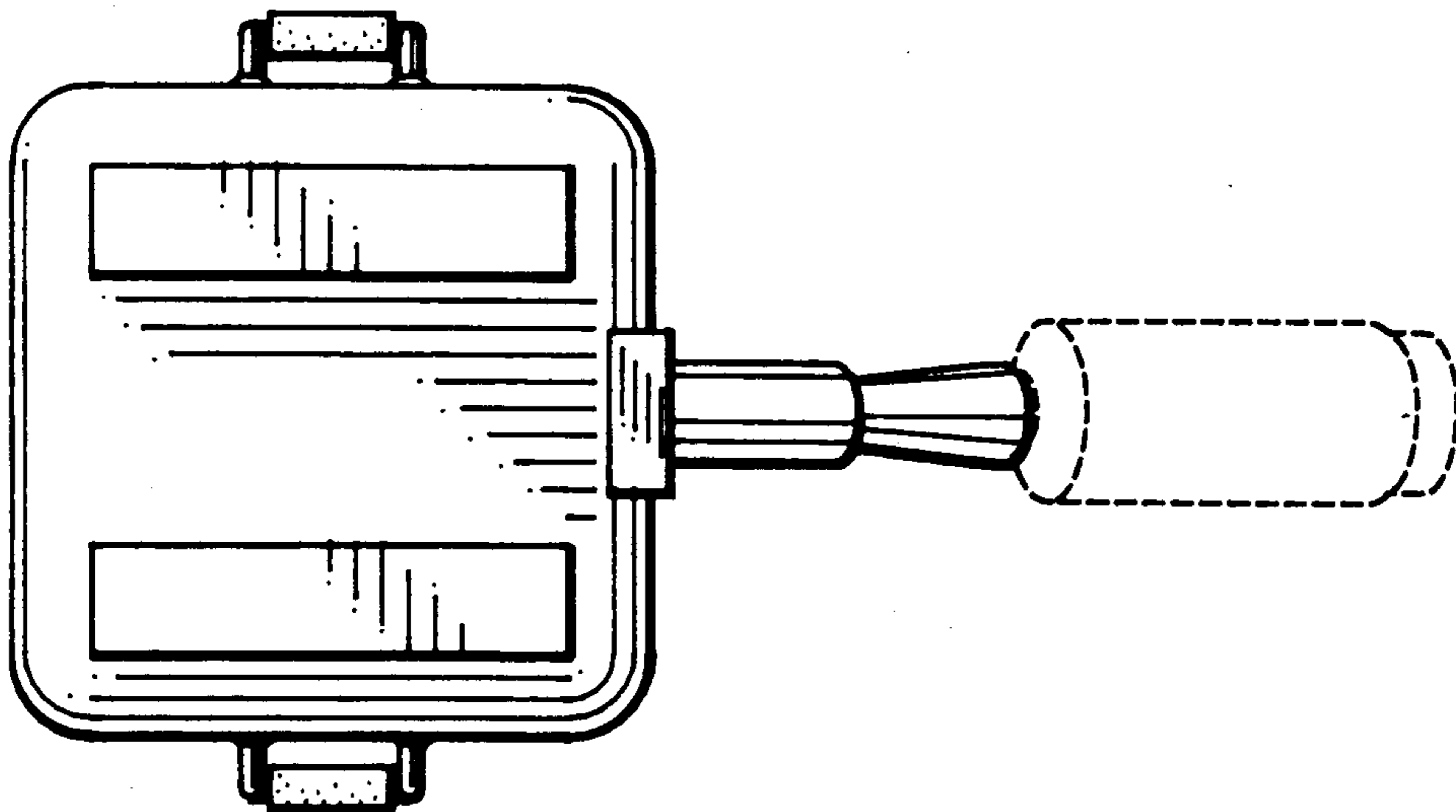


Fig. 6