

[54] **FAUCET**

[76] **Inventor: Alfons Knapp, Bleicherstrasse 3,
Biberach/Riss, Fed. Rep. of
Germany**

[**] **Term: 14 Years**

[21] **Appl. No.: 57,438**

[22] **Filed: Jun. 2, 1987**

[30] **Foreign Application Priority Data**

Dec. 11, 1986 [IT] Italy 54185-B86
[52] **U.S. Cl. D23/241**
[58] **Field of Search D23/238-243,
D23/255, 256, 257; 4/191, 192; 137/801**

[56] **References Cited**

U.S. PATENT DOCUMENTS

D. 243,240 2/1977 Dreibelbis D23/241
D. 281,097 10/1985 Arnold et al. D23/241
D. 288,835 3/1987 Yost D23/241

FOREIGN PATENT DOCUMENTS

39852 12/1985 Italy .

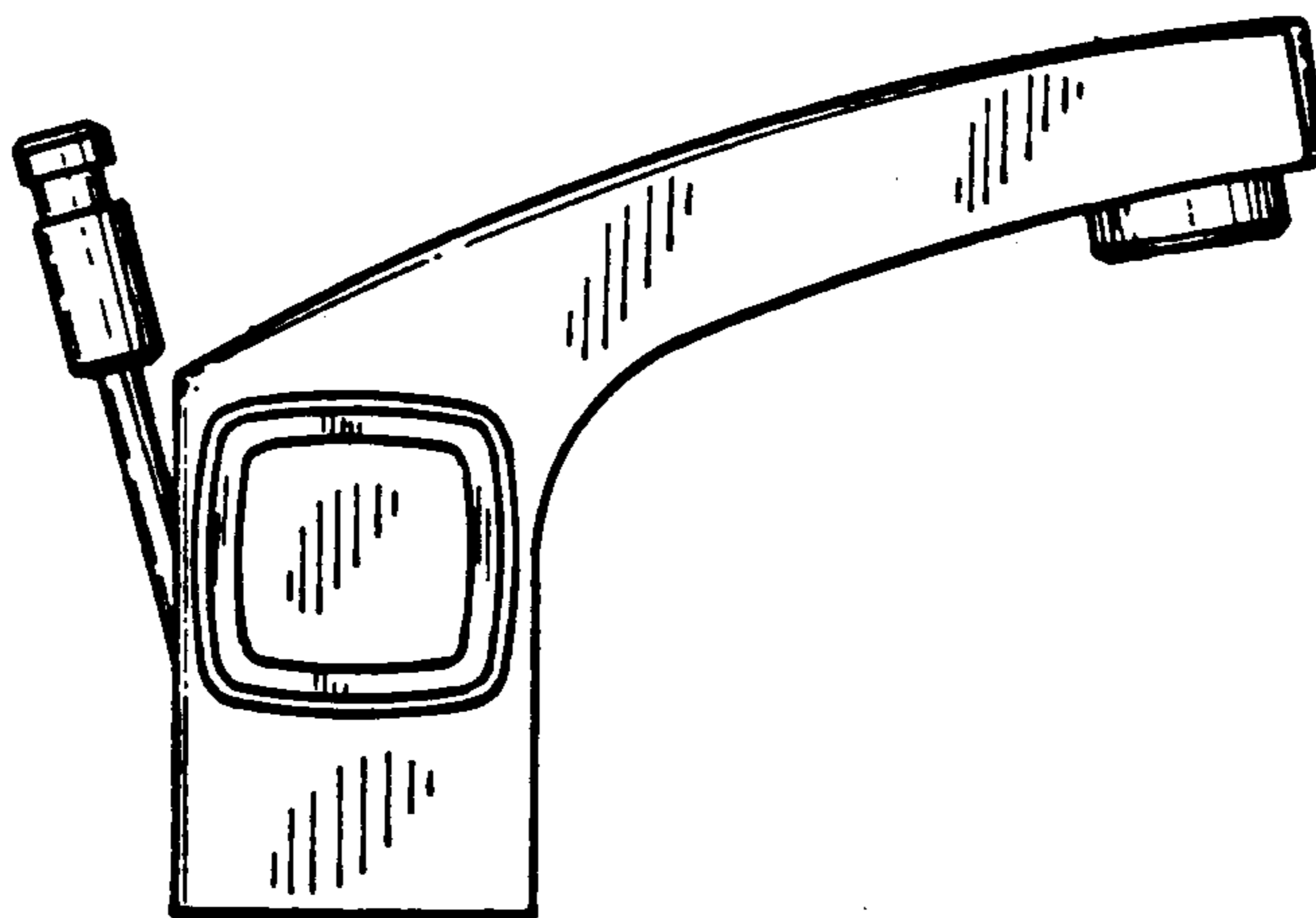
Primary Examiner—Stella Reid
Attorney, Agent, or Firm—Young & Thompson

[57] **CLAIM**

The ornamental design for a faucet, as shown.

DESCRIPTION

FIG. 1 is a front elevational view of a faucet showing my new design;
FIG. 2 is a rear elevational view thereof;
FIG. 3 is a left side elevational view thereof;
FIG. 4 is a right side elevational view thereof;
FIG. 5 is a top plan view thereof; and
FIG. 6 is a bottom plan view thereof.



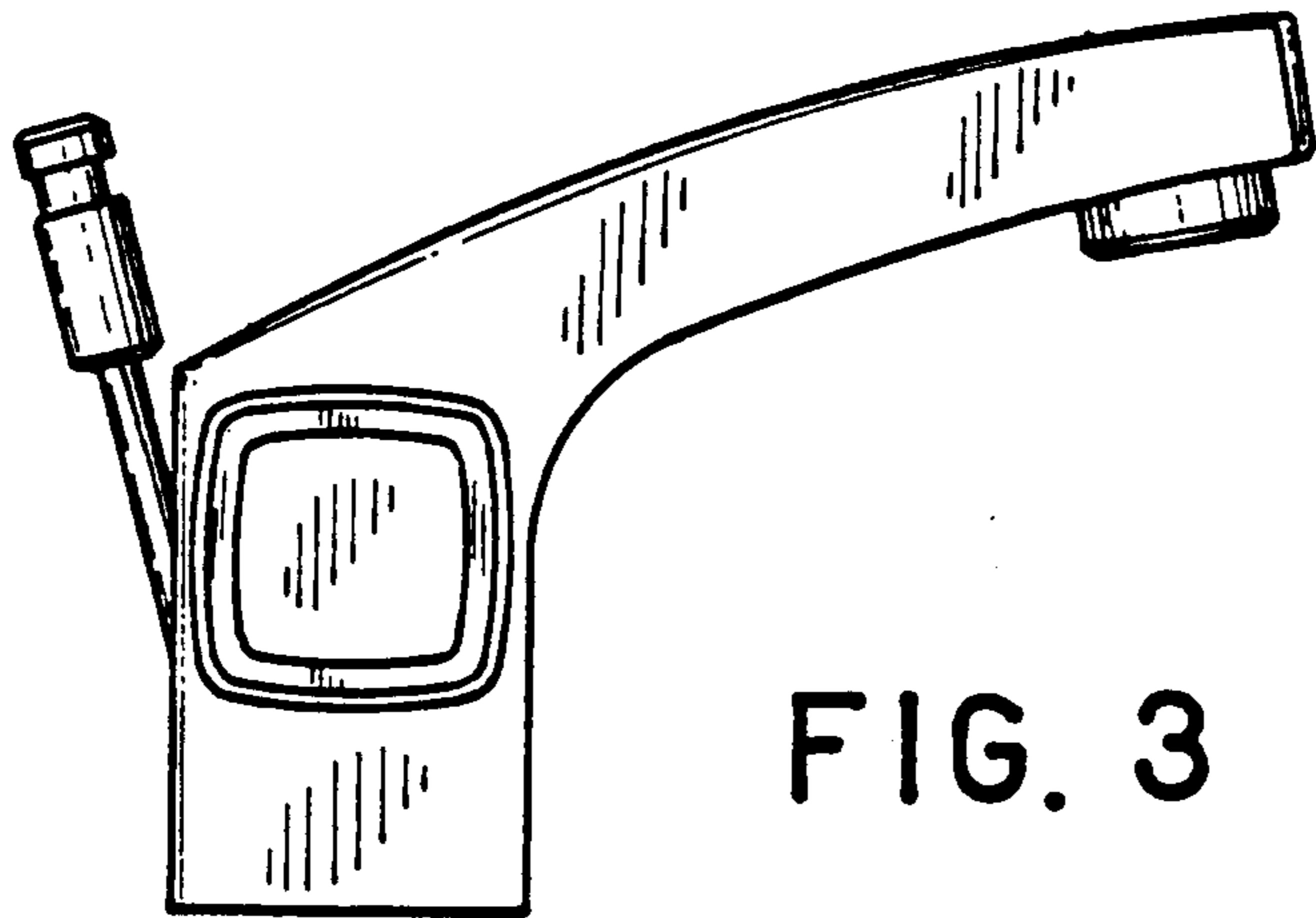


FIG. 3

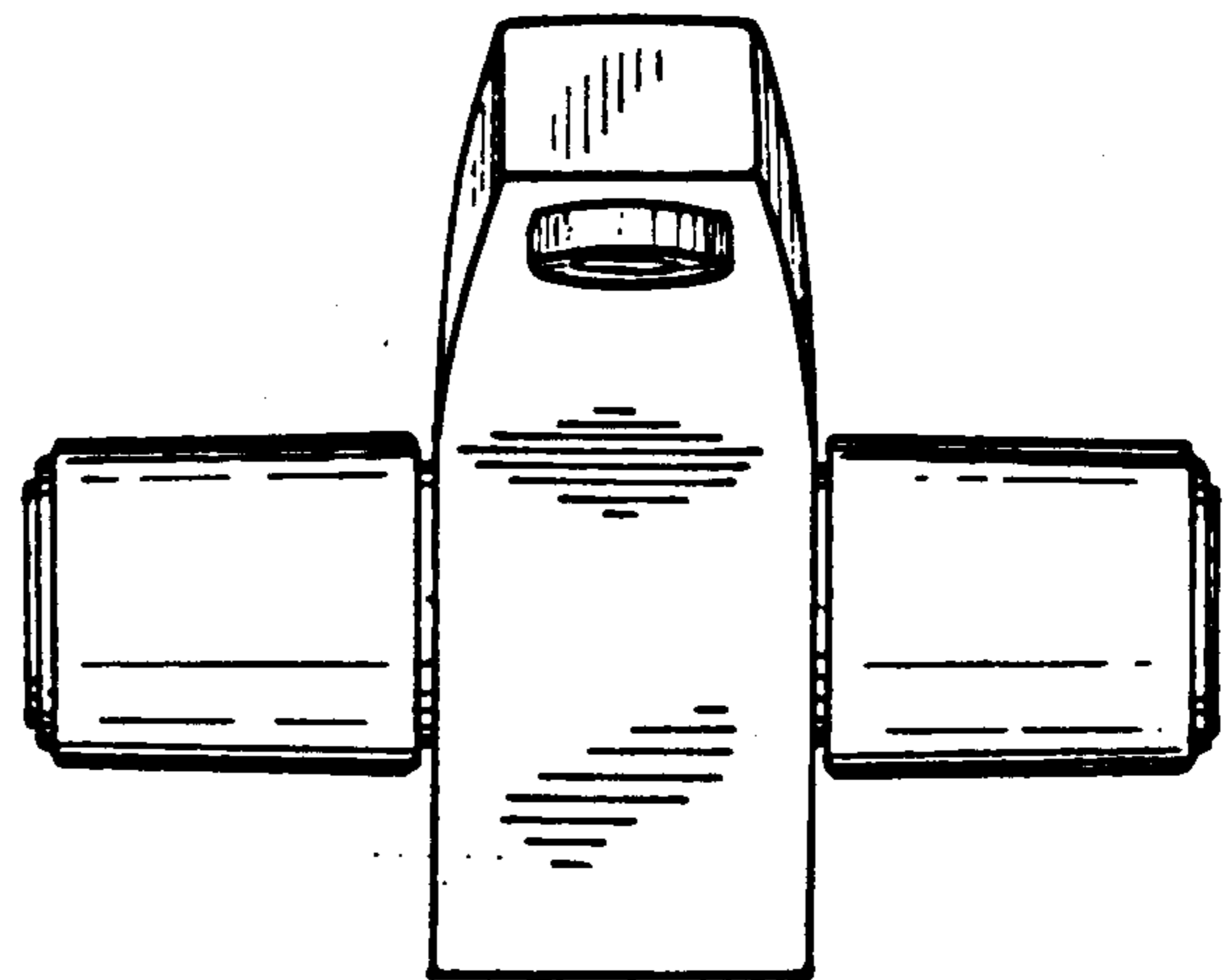


FIG. 1

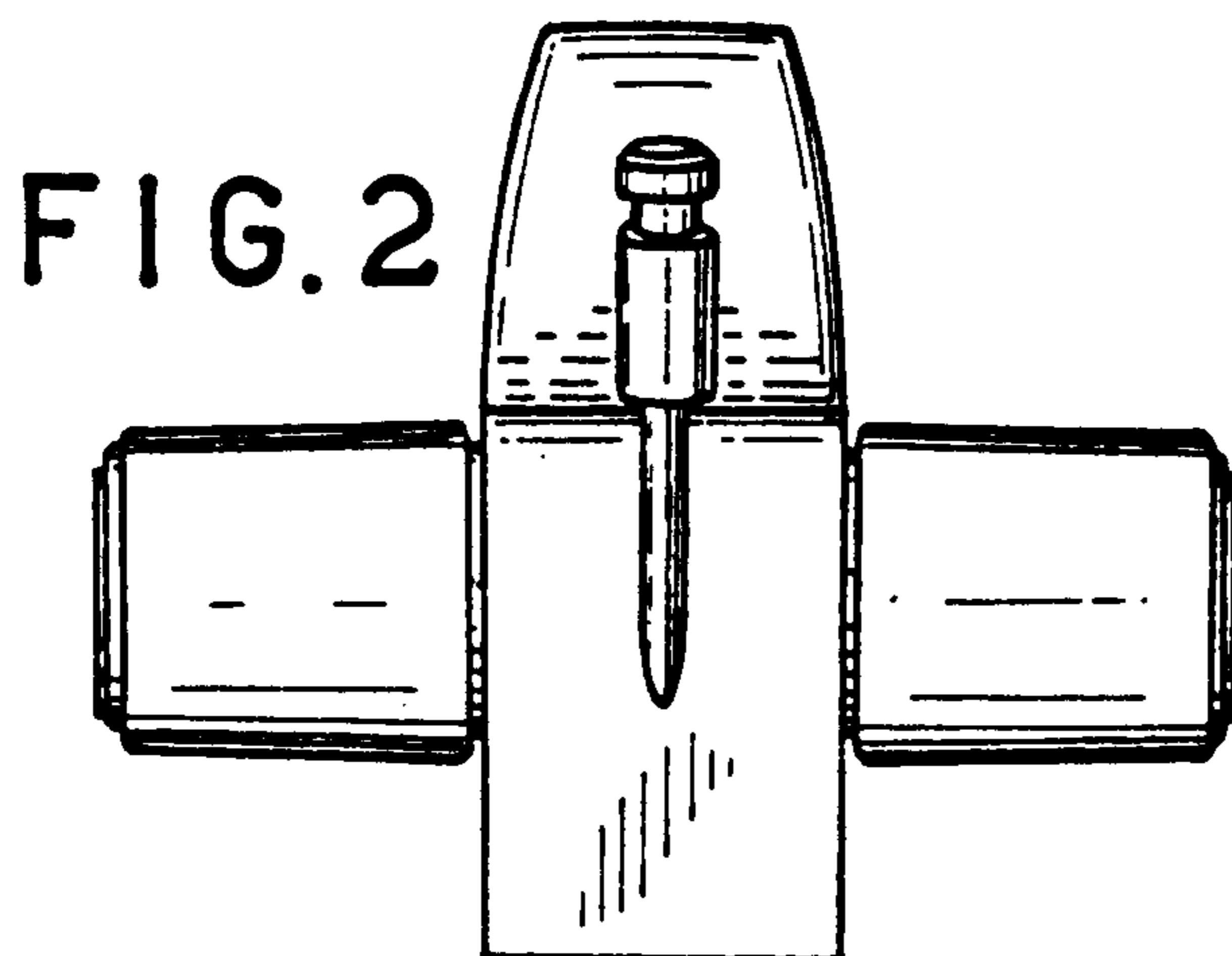


FIG. 2

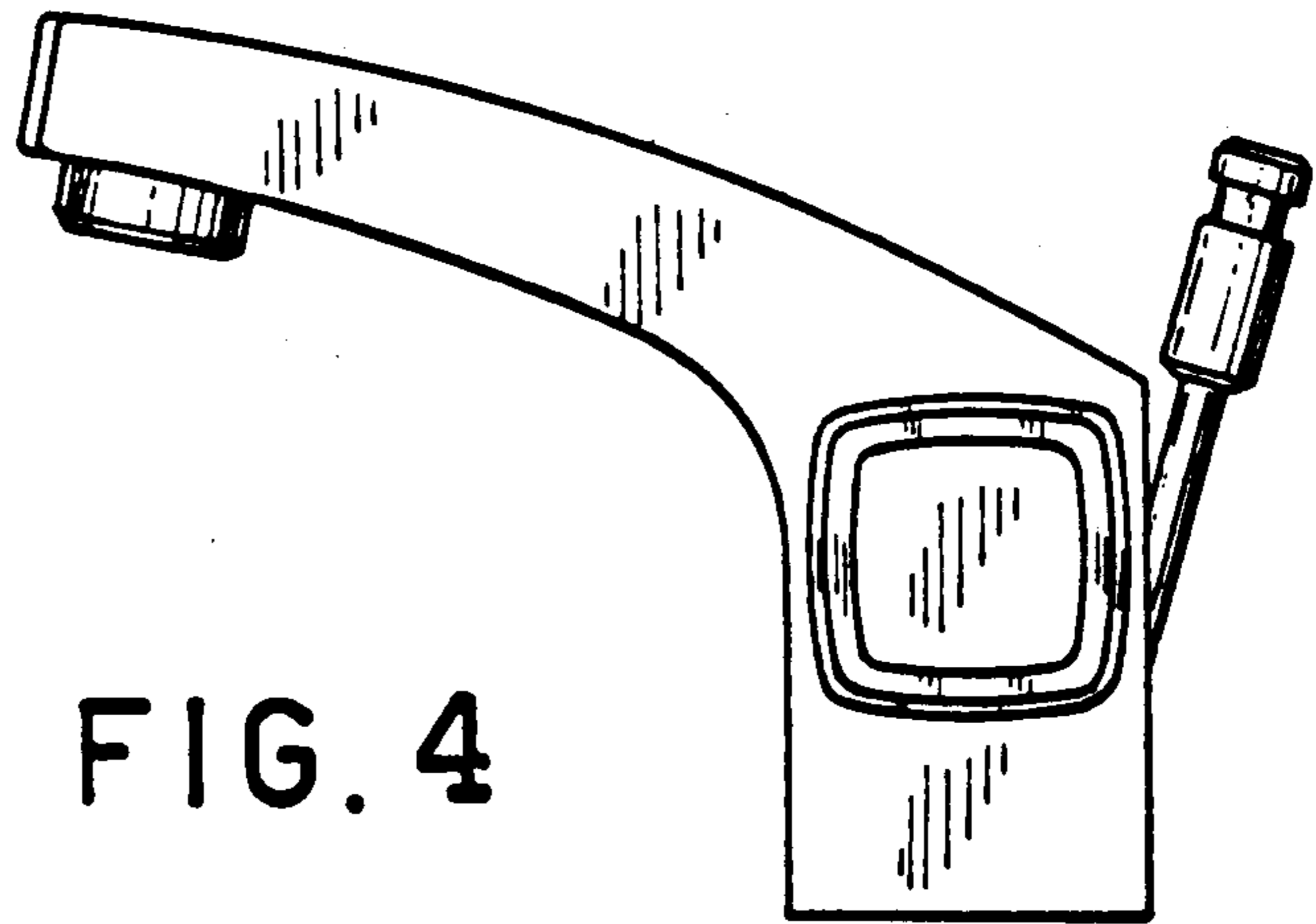


FIG. 4

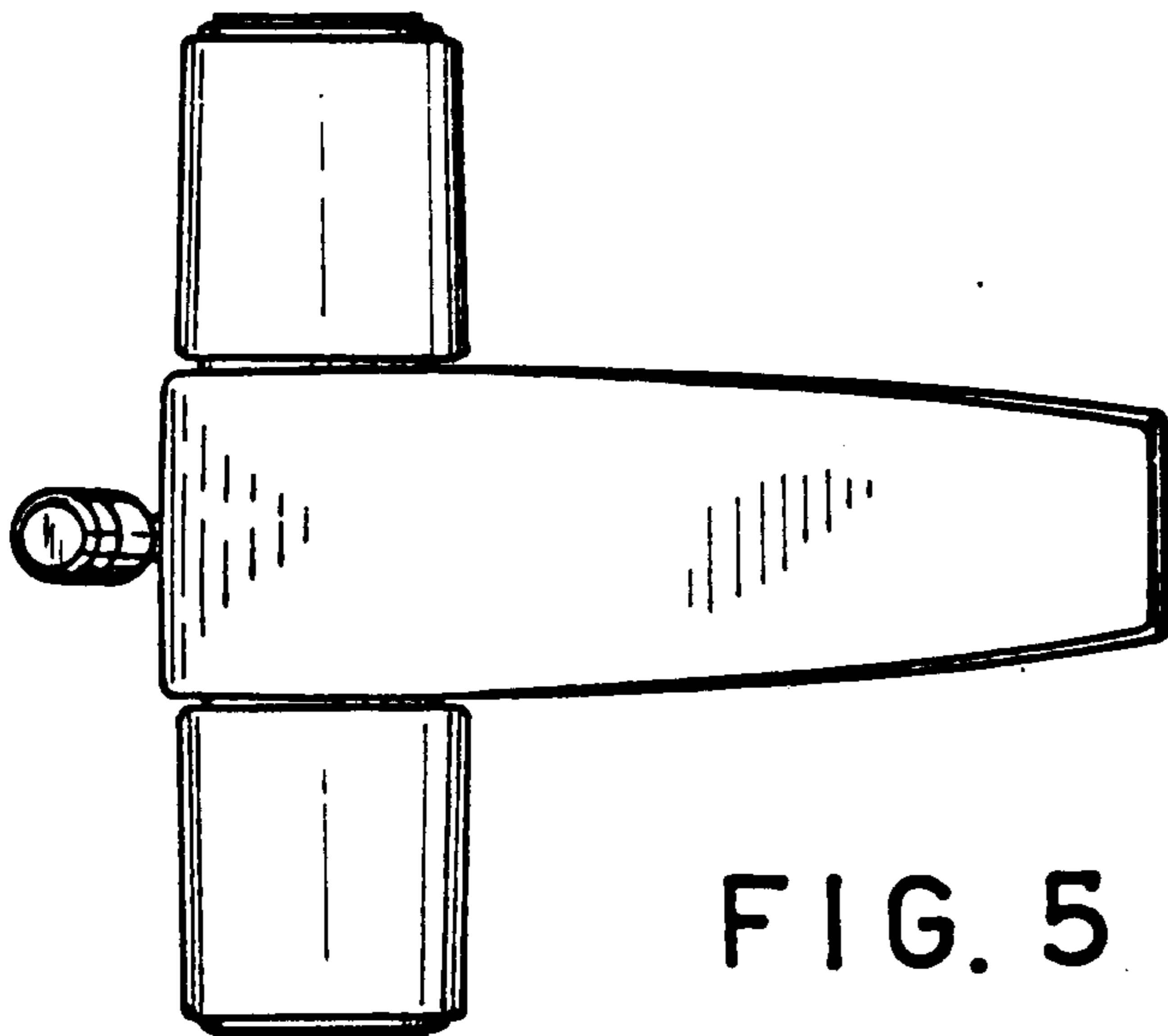


FIG. 5

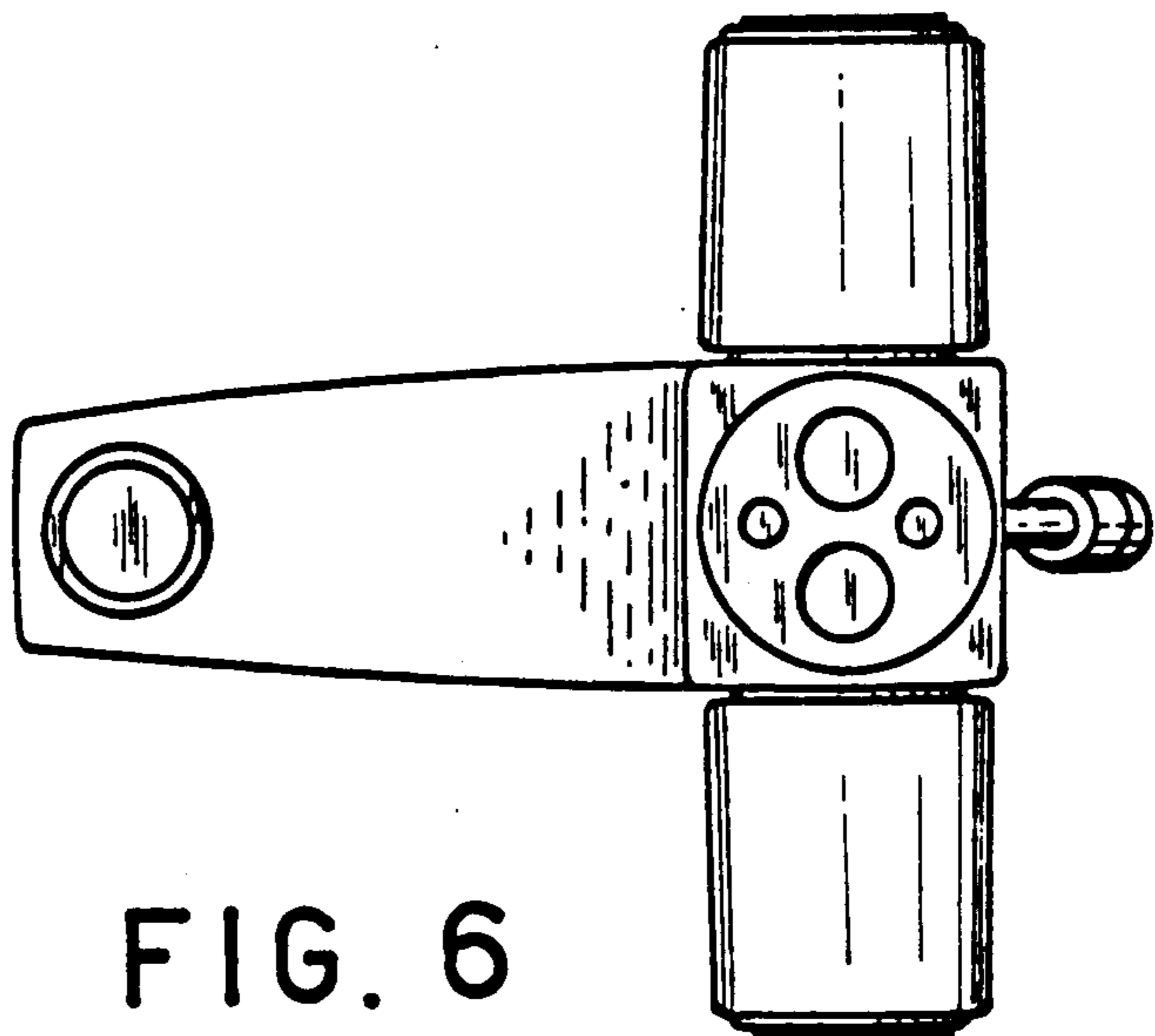


FIG. 6