

[54] COMBINED QUICK-CHANGE FILTER CARTRIDGE AND HEAD

[75] Inventors: Raymond M. Petrucci, Middlebury; Bruce G. Taylor, Kensington; Edward C. Giordano, Manchester, all of Conn.; James M. Padilla, Covina Heights; Carl Palmer, La Habra Heights, both of Calif.

[73] Assignee: Cuno, Incorporated, Meriden, Conn.

[**] Term: 14 Years

[21] Appl. No.: 412,872

[22] Filed: Sep. 27, 1989

Related U.S. Application Data

[60] Division of Ser. No. 128,504, Dec. 3, 1987, Pat. No. Des. 306,754, which is a continuation-in-part of Ser. No. 822,548, Jan. 27, 1986, abandoned.

[52] U.S. Cl. D23/209

[58] Field of Search D23/207-210; 210/136, 238, 282, 234, 440, 444, 446, 448, 457, 492

[56] References Cited

U.S. PATENT DOCUMENTS

- D. 188,688 8/1960 Sicard D23/209
D. 199,075 9/1964 Kudlaty D23/209
D. 199,139 9/1964 Kudlaty D23/209

- D. 220,263 3/1971 Hughes D23/209
D. 251,380 3/1979 Casanutjanra D23/209
D. 295,438 4/1988 Bray et al. D23/207
1,624,526 4/1927 Bohmsack D23/209 X
2,955,712 10/1960 Gutkowski 210/234
3,237,770 3/1966 Humbert, Jr. 210/94
4,192,750 3/1980 Elfes et al. 210/232 X

OTHER PUBLICATIONS

Brookstone catalog advertisement item Water Filter System, Jan. 1986, p. 42.

Primary Examiner—Susan J. Lucas
Assistant Examiner—M. H. Tung
Attorney, Agent, or Firm—Renner, Kenner, Greive, Bobak, Taylor & Weber

[57] CLAIM

The ornamental design for a combined quick-change filter cartridge and head, as shown and described.

DESCRIPTION

FIG. 1 is a top, rear, right side perspective view of a combined quick-change filter cartridge and head showing our new design; FIG. 2 is a top plan view thereof; FIG. 3 is a bottom plan view thereof; FIG. 4 is a right side elevational view thereof; FIG. 5 is a front elevational view thereof; FIG. 6 is a left side elevational view thereof; and FIG. 7 is a rear elevational view thereof. The cartridge is partially drawn in FIGS. 4-6 for convenience of illustration.

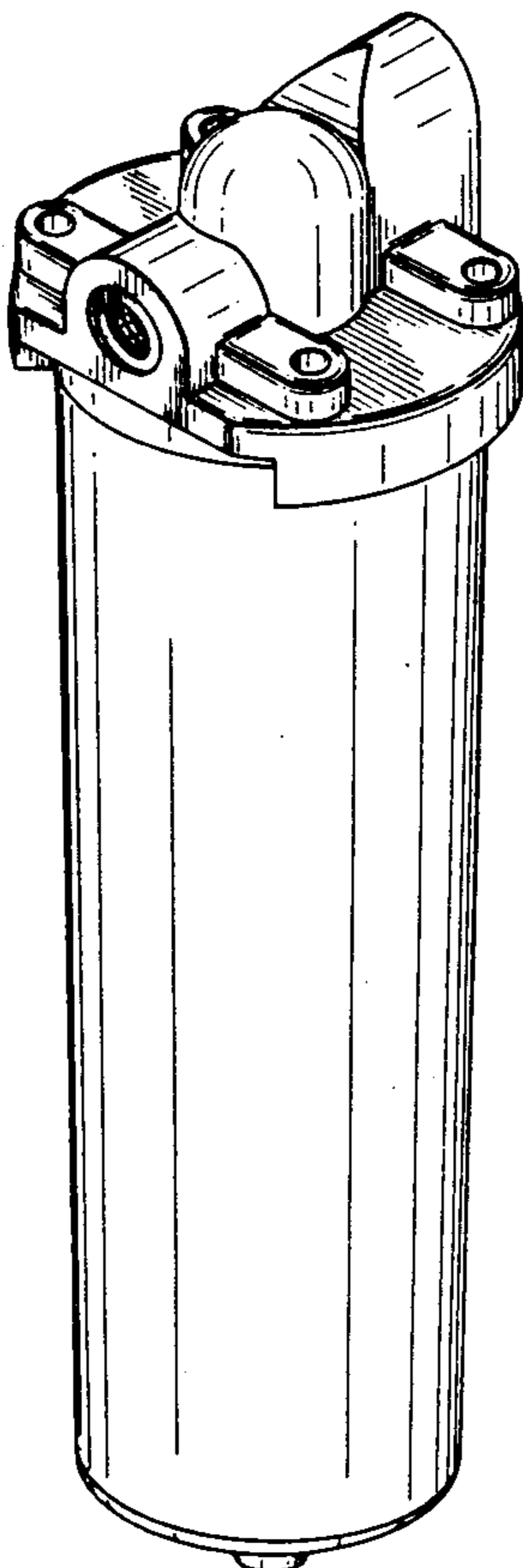


FIG-1

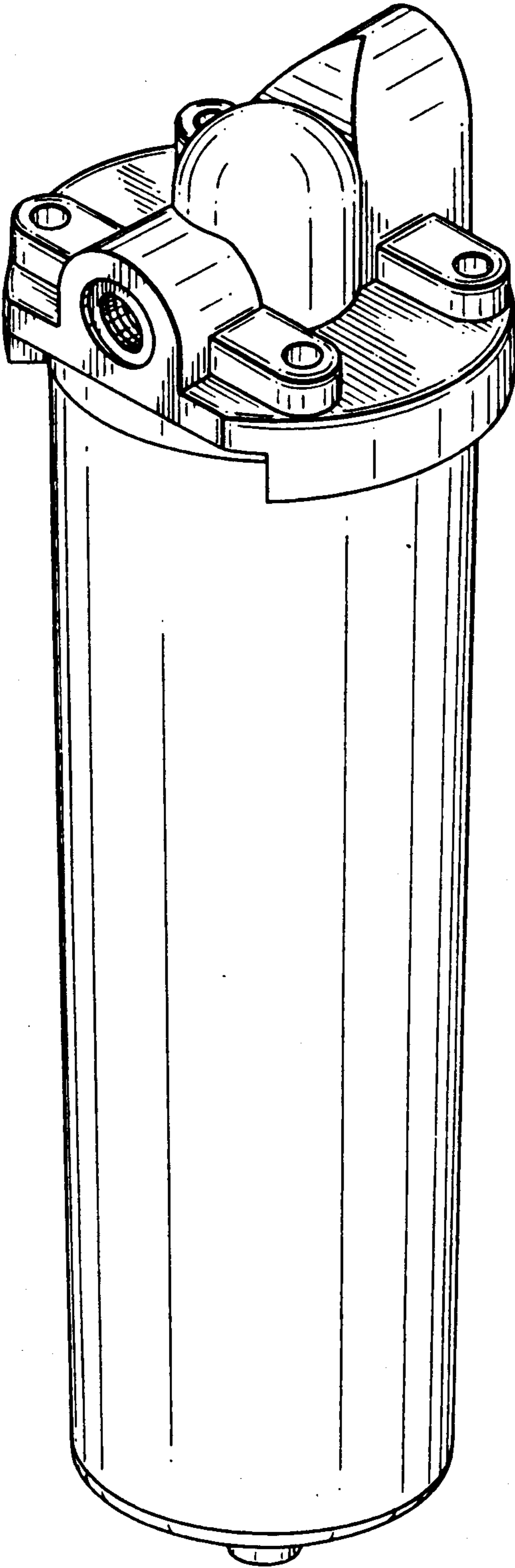


FIG-2

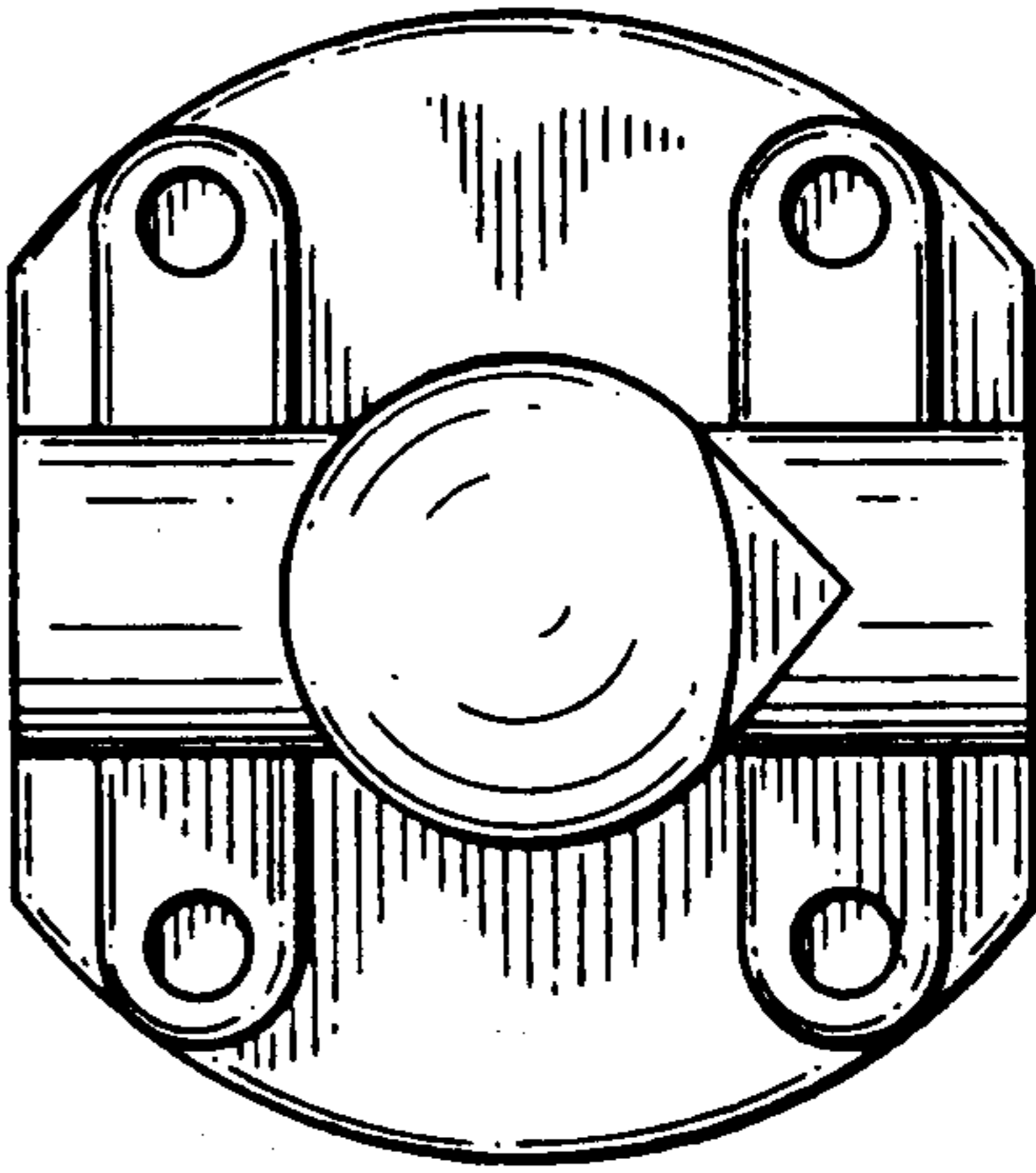


FIG-3

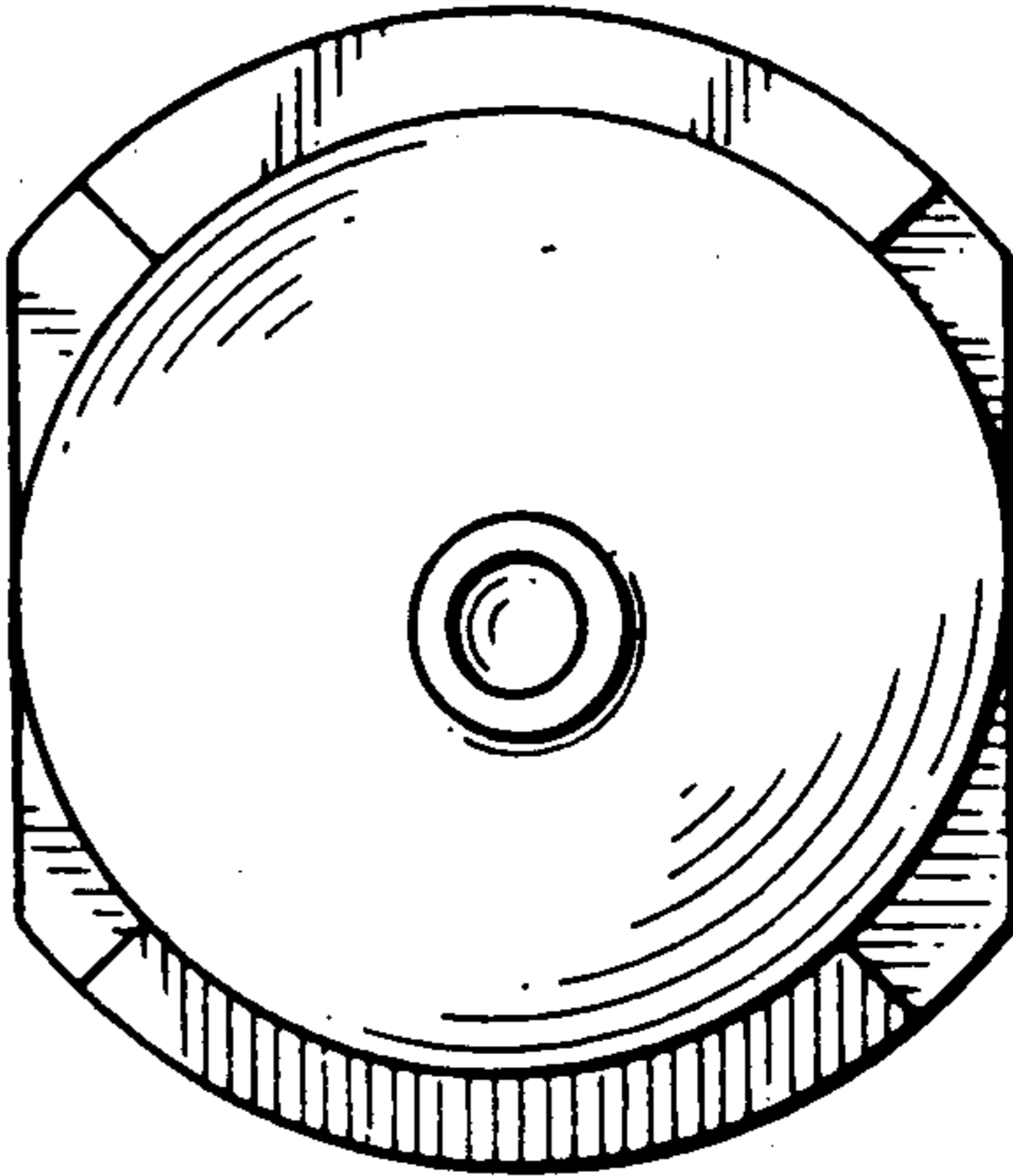


FIG-4

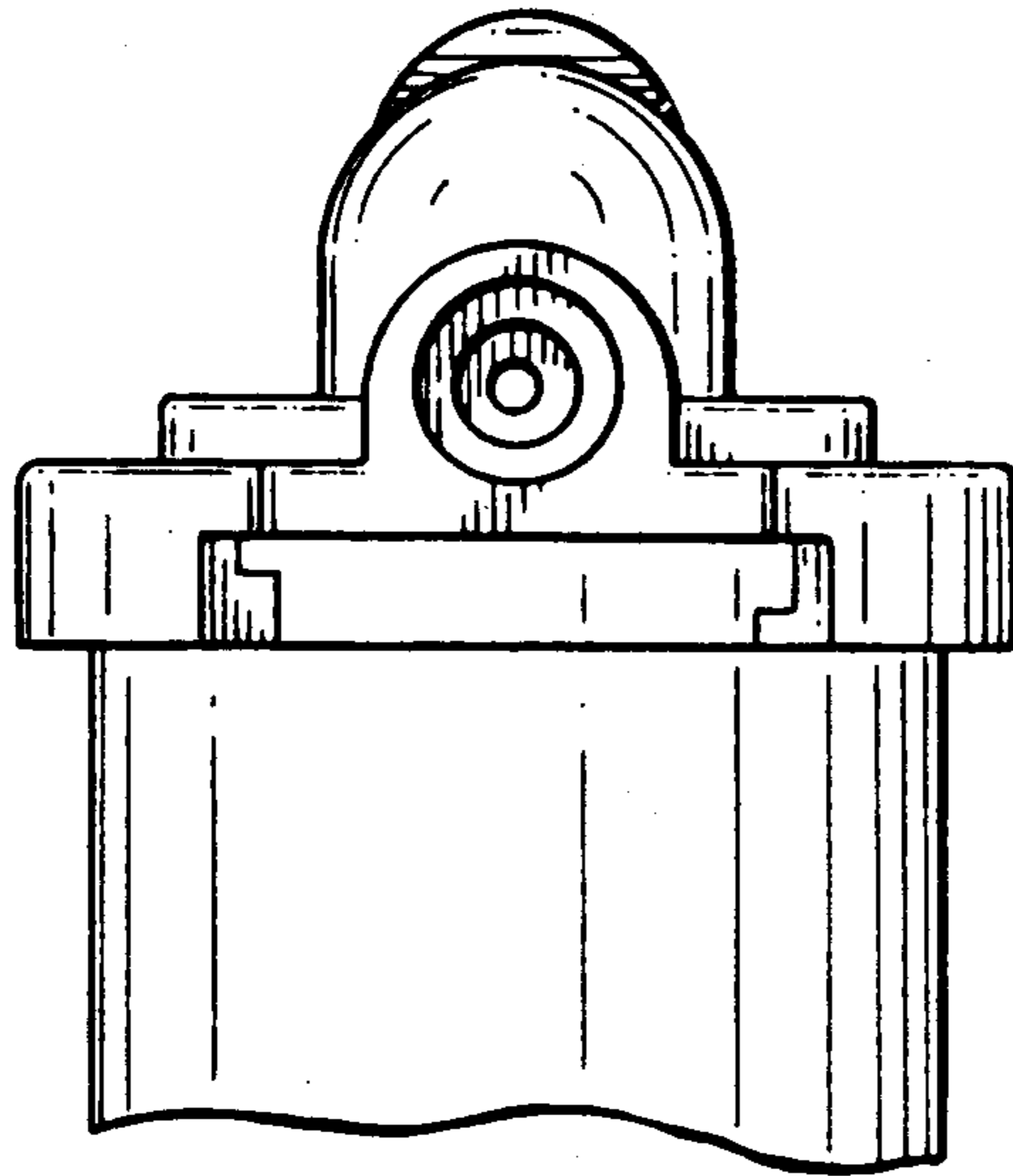


FIG-6

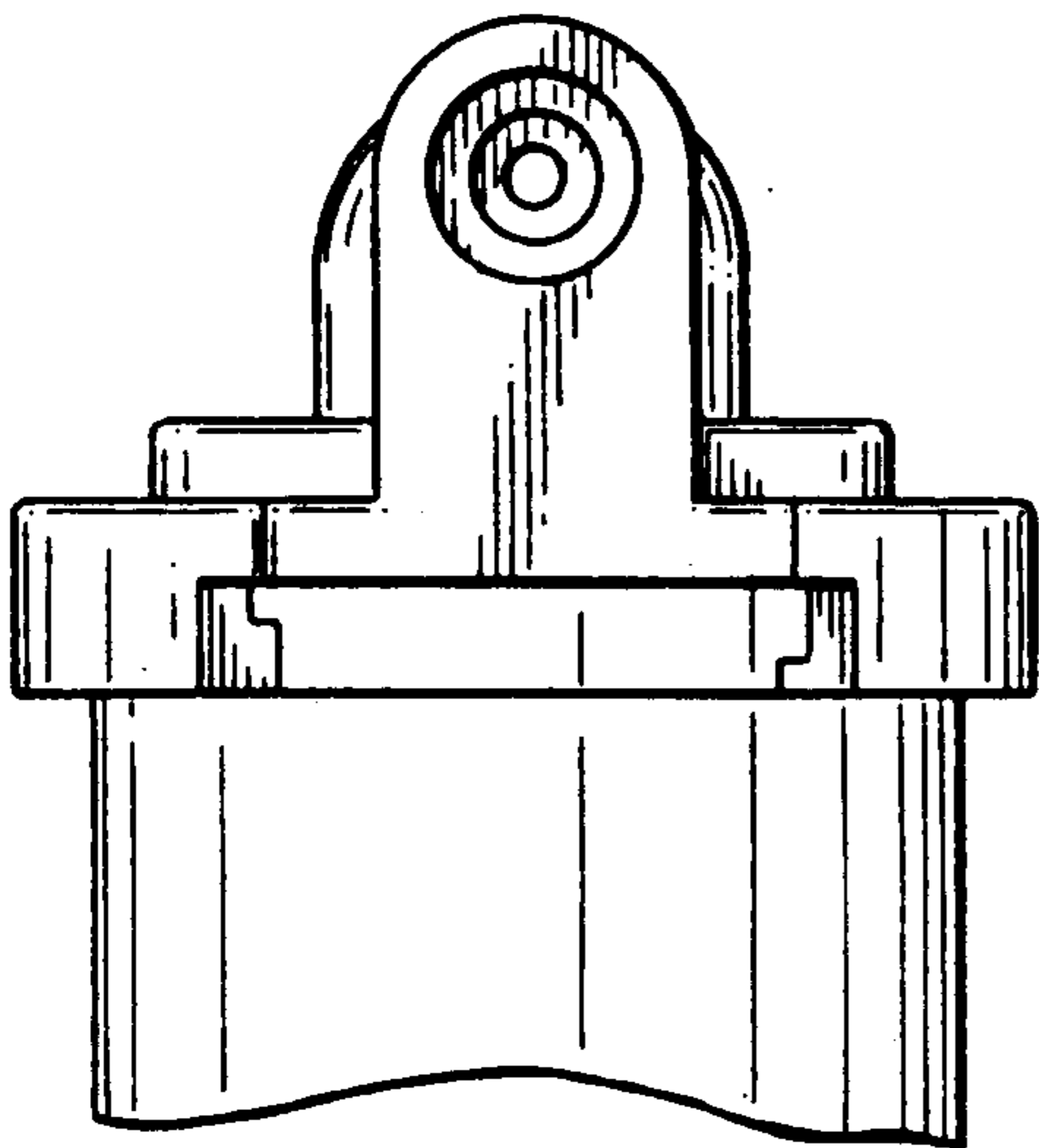


FIG-5

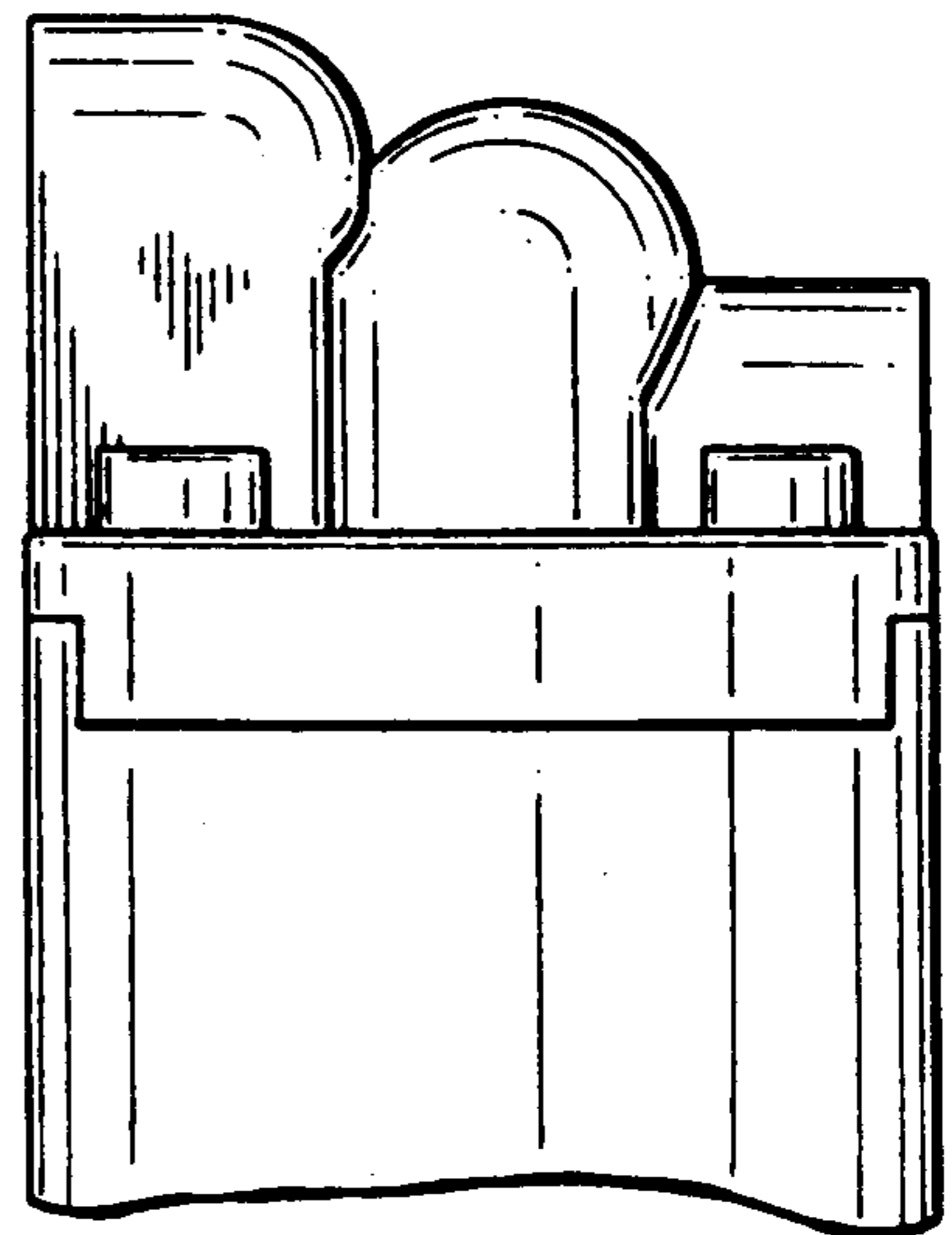


FIG-7

