

[54] COMBINED KNIFE AND SHEATH

[75] Inventor: Eiichi Koshiishi, Tokyo, Japan

[73] Assignee: Kabushi kikaisha Harisan, Tokyo, Japan

[\*\*] Term: 14 Years

[21] Appl. No.: 186,975

[22] Filed: Apr. 22, 1988

[30] Foreign Application Priority Data

Dec. 23, 1987 [JP] Japan ..... 62-52100

[52] U.S. CL ..... D22/118; D3/102

[58] Field of Search ..... D22/118; 30/143, 151, 30/162, 295, 298, 340; 224/232, 233, 242, 904; D3/100, 102, 104; 206/317

[56] References Cited

U.S. PATENT DOCUMENTS

D. 177,590	5/1956	Randall	.....	D22/118
D. 296,498	7/1988	Collins et al.	.....	D3/102
D. 299,375	1/1989	Pipes	.....	D22/118
D. 303,001	8/1989	Su	.....	D22/118
3,524,570	8/1970	Seguine	.....	30/151
3,533,540	10/1970	Carinci	.....	224/253 X
4,622,707	11/1986	Finn	.....	D22/118 X
4,726,498	2/1988	Esposito	.....	224/232
4,803,745	2/1989	Izquierdo	.....	206/317 X

FOREIGN PATENT DOCUMENTS

1031170	5/1958	Fed. Rep. of Germany	.....	30/151
2136341	9/1984	United Kingdom	.....	224/232

OTHER PUBLICATIONS

The Bass Pro Shops, ©1986, p. 284, Buckmaster LT Knife.

Primary Examiner—A. Hugo Word  
Assistant Examiner—Doris V. Coles  
Attorney, Agent, or Firm—Armstrong, Nikaido, Marmelstein, Kubovcik, & Murray

[57] CLAIM

The ornamental design for a combined knife and sheath, as shown and described.

DESCRIPTION

FIG. 1 is a perspective, exploded view of a combined knife and sheath, showing my new design; FIG. 2 is a front elevational view thereof; FIG. 3 is a rear elevational view thereof; FIG. 4 is a left side elevational view thereof; FIG. 5 is a top plan view thereof; FIG. 6 is a bottom plan view thereof; FIG. 7 is a front elevational view of the knife; FIG. 8 is a rear elevational view thereof; FIG. 9 is a left side elevational view thereof; FIG. 10 is a right side elevational view thereof.

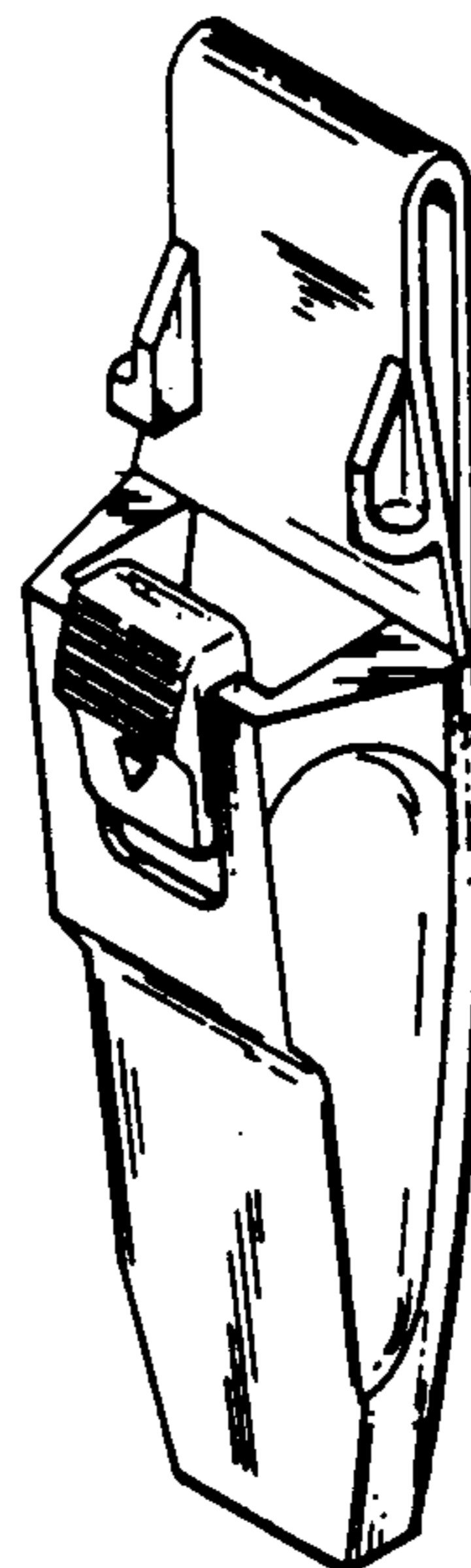
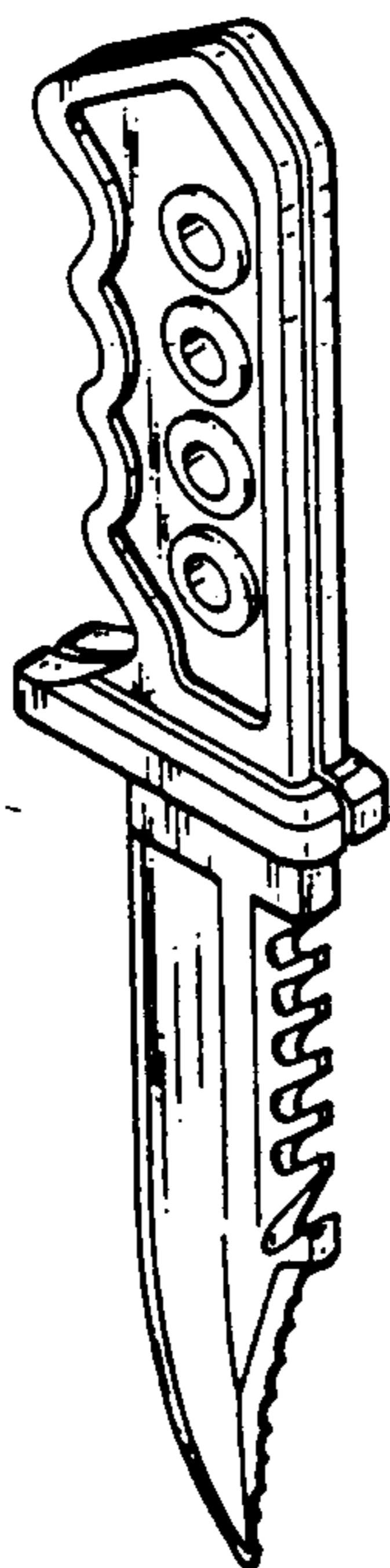


FIG. 1

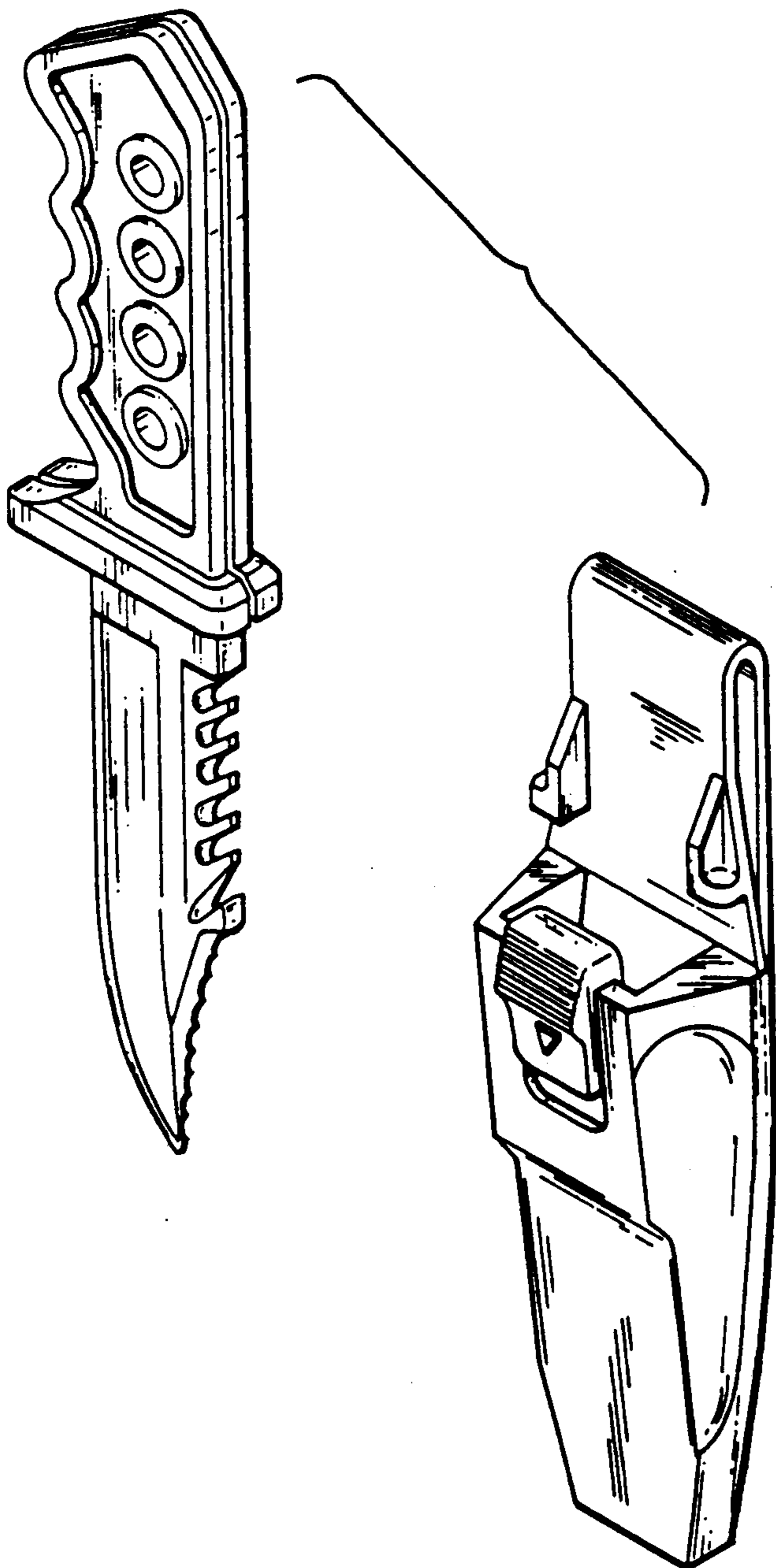


FIG. 2

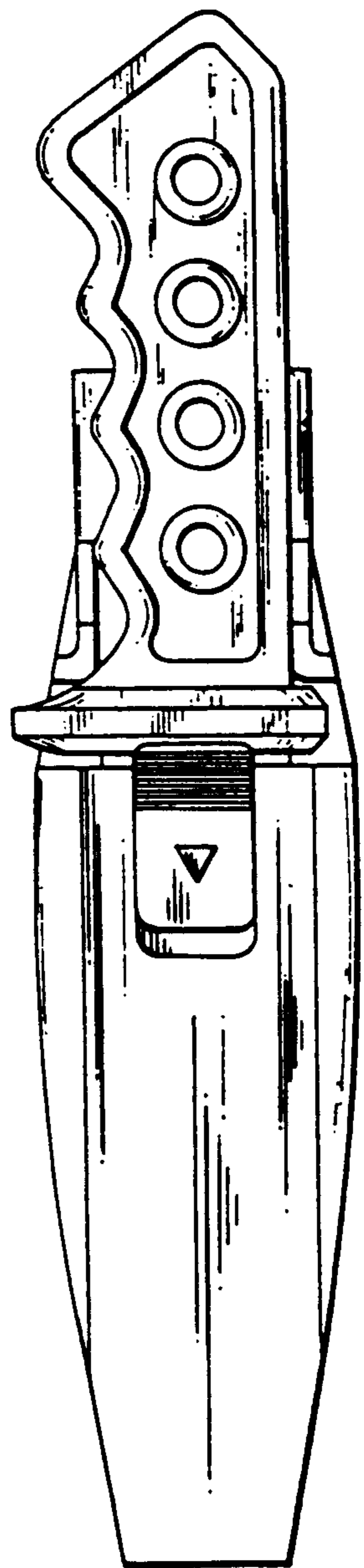


FIG. 3

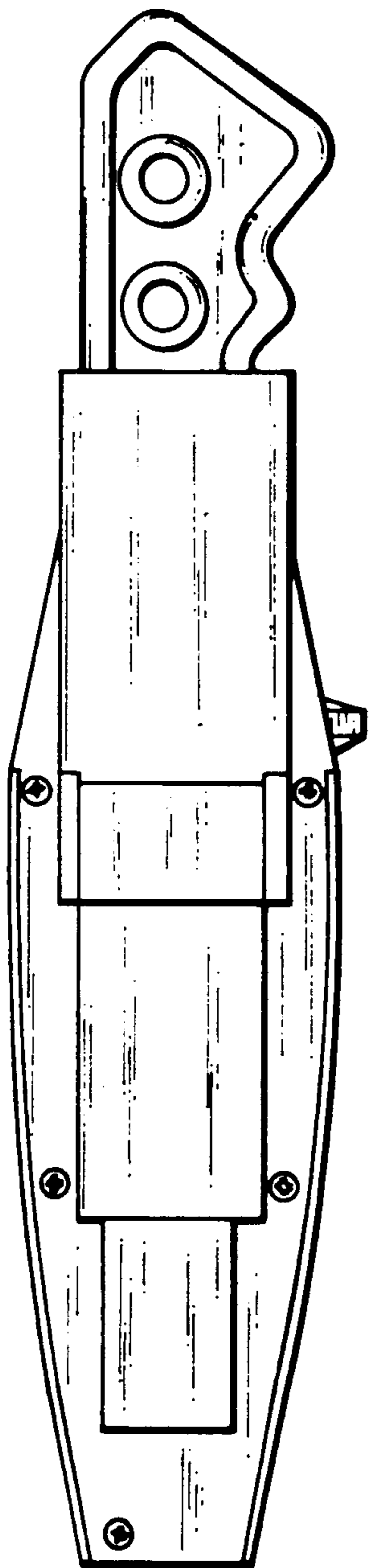


FIG. 4

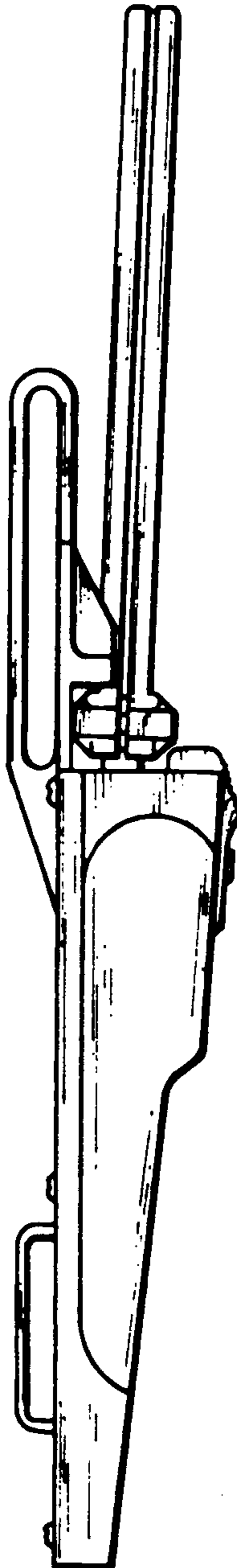


FIG. 5

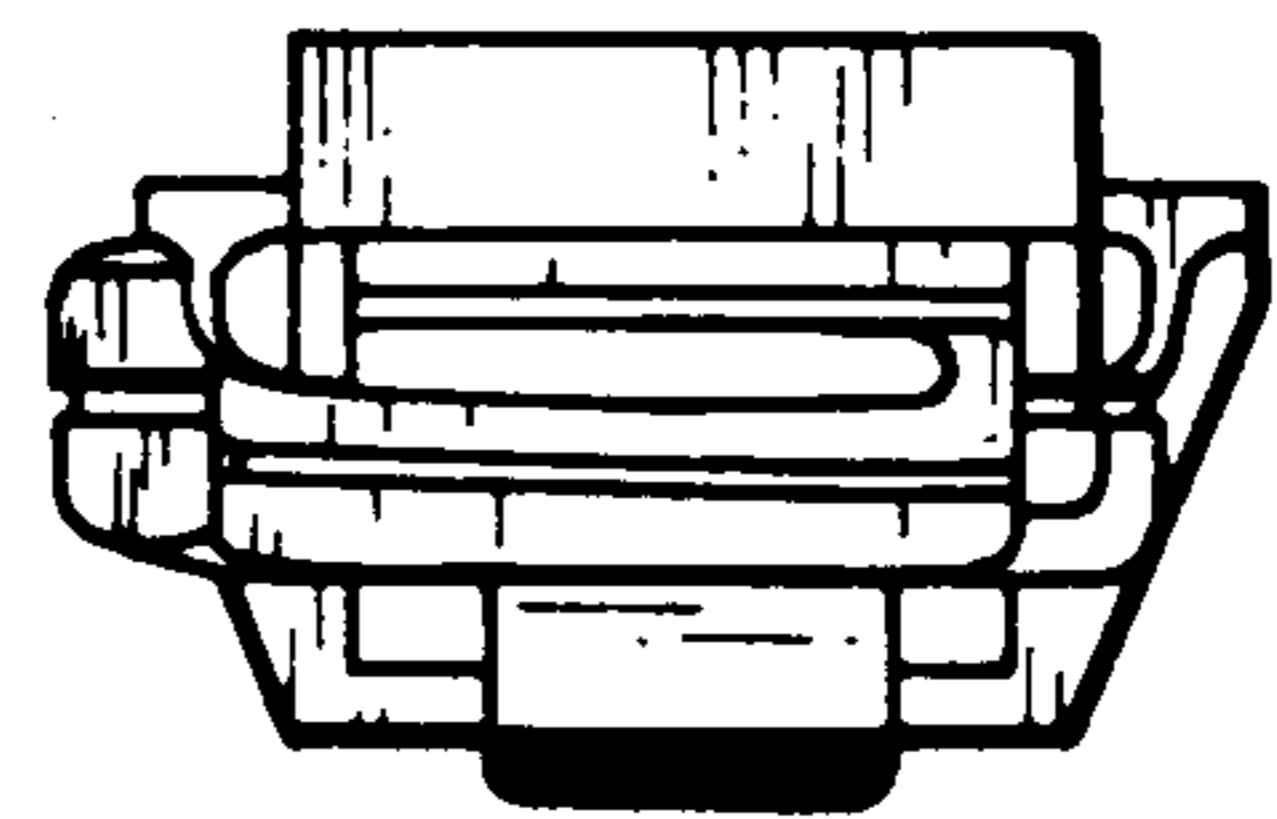


FIG. 6

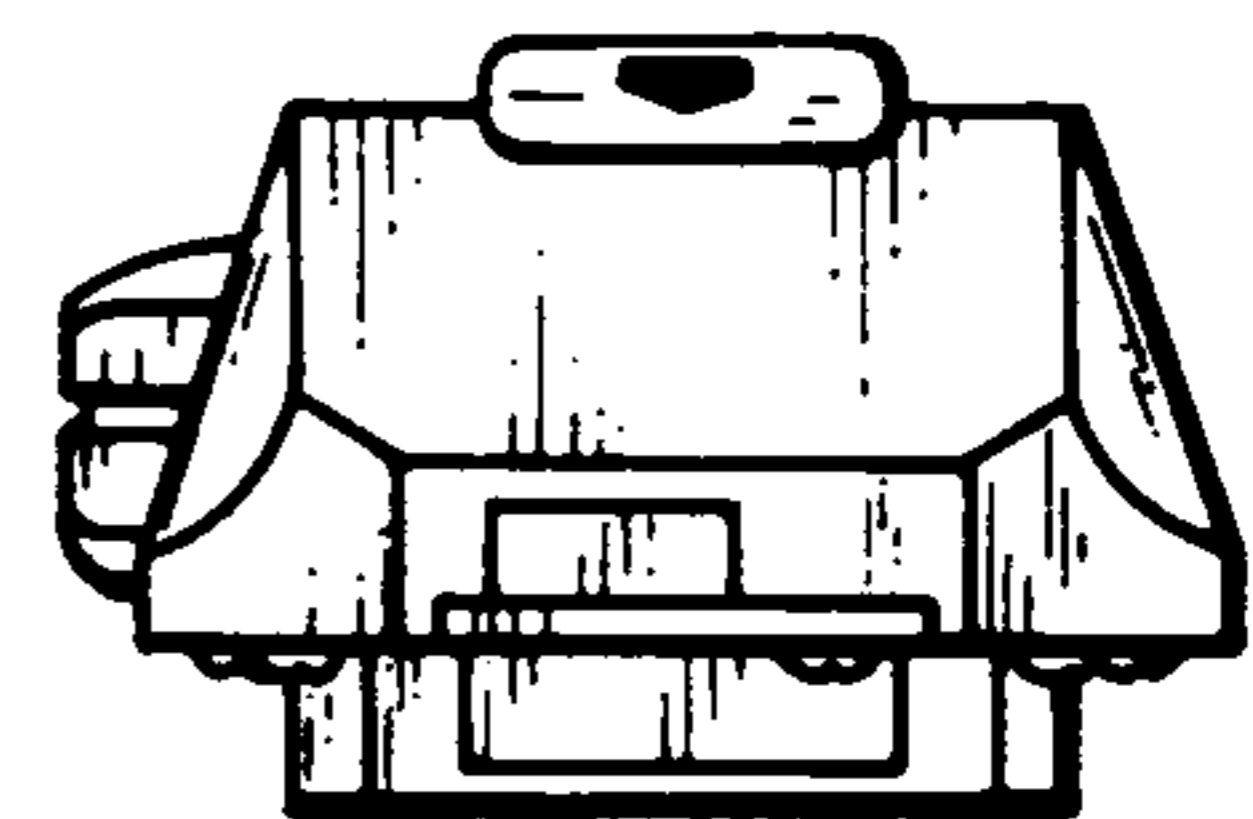


FIG. 7

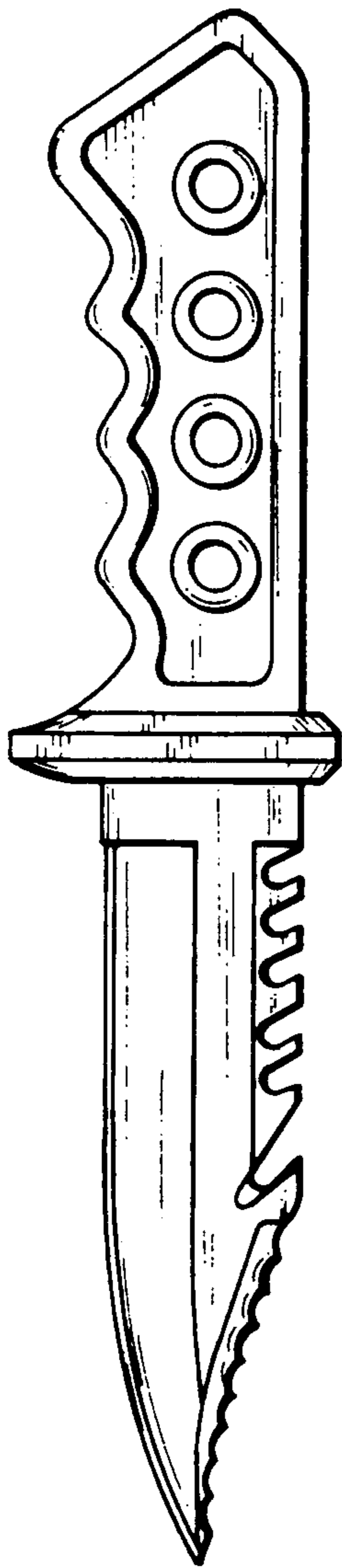


FIG. 8

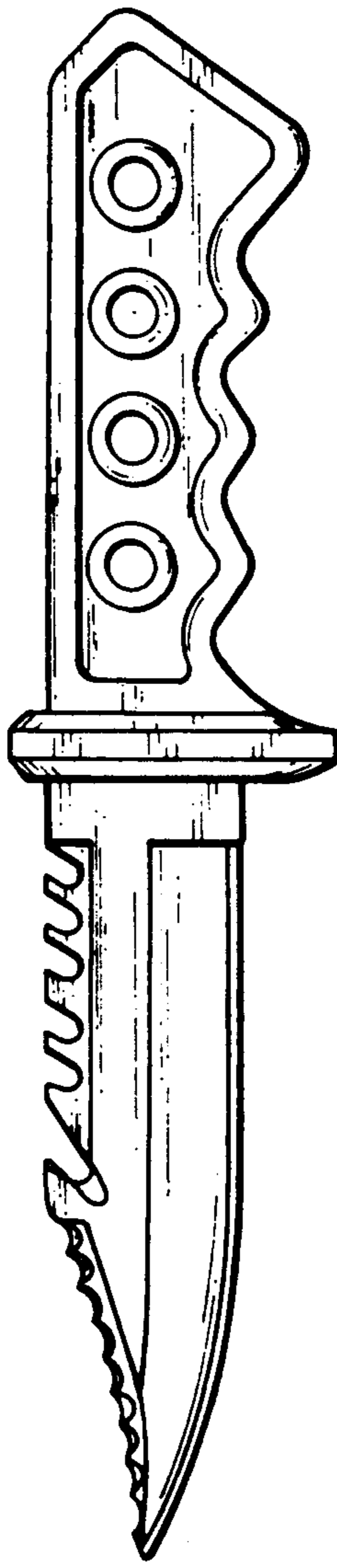


FIG. 9



FIG. 10

