

United States Patent [19]

Crivello

[11] Patent Number: Des. 317,036

[45] Date of Patent: ** May 21, 1991

[54] SNOW SKATE

[76] Inventor: Theresa L. Crivello, 9034 W.
Orchard, West Allis, Wis. 53214

[**] Term: 14 Years

[21] Appl. No.: 210,761

[22] Filed: Jun. 22, 1988

[52] U.S. Cl. D21/225

[58] Field of Search D21/225, 226; D2/276,
D2/312; 280/11.12, 11.13, 11.17, 11.18

[56] **References Cited**

U.S. PATENT DOCUMENTS

D. 102,779 1/1937 Dunne D21/225
D. 182,518 4/1958 Jones et al. D21/225
D. 285,820 9/1986 Bourque D21/225

1,444,673 2/1923 Eames D21/225
3,879,047 4/1975 MacDonald D21/225

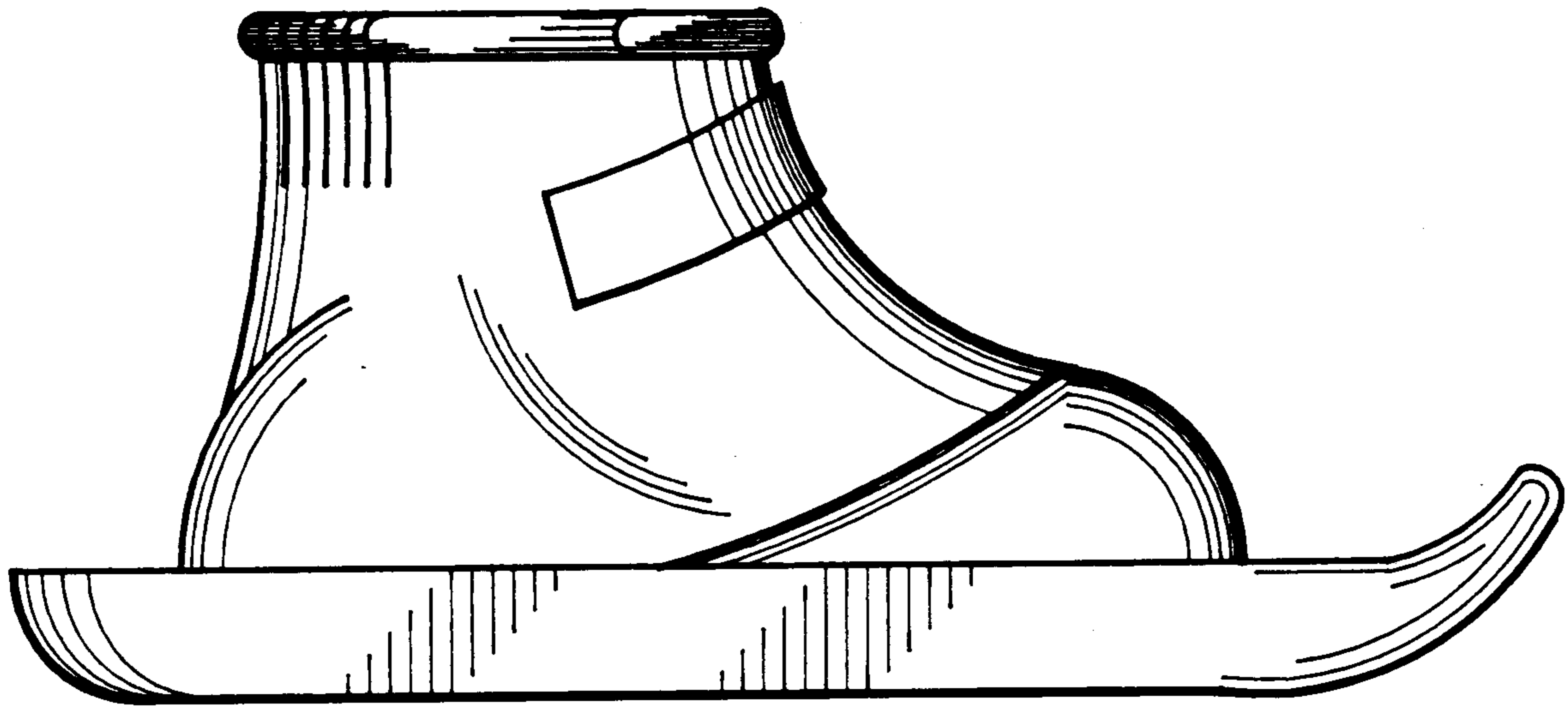
Primary Examiner—Charles A. Rademaker
Attorney, Agent, or Firm—Jerry T. Kearns

[57] **CLAIM**

The ornamental design for a snow skate, as shown and described.

DESCRIPTION

FIG. 1 is a front elevational view of a snow skate showing my new design;
FIG. 2 is a rear elevational view thereof;
FIG. 3 is a left side elevational view thereof;
FIG. 4 is a right side elevational view thereof;
FIG. 5 is a top plan view thereof; and,
FIG. 6 is a bottom plan view thereof.



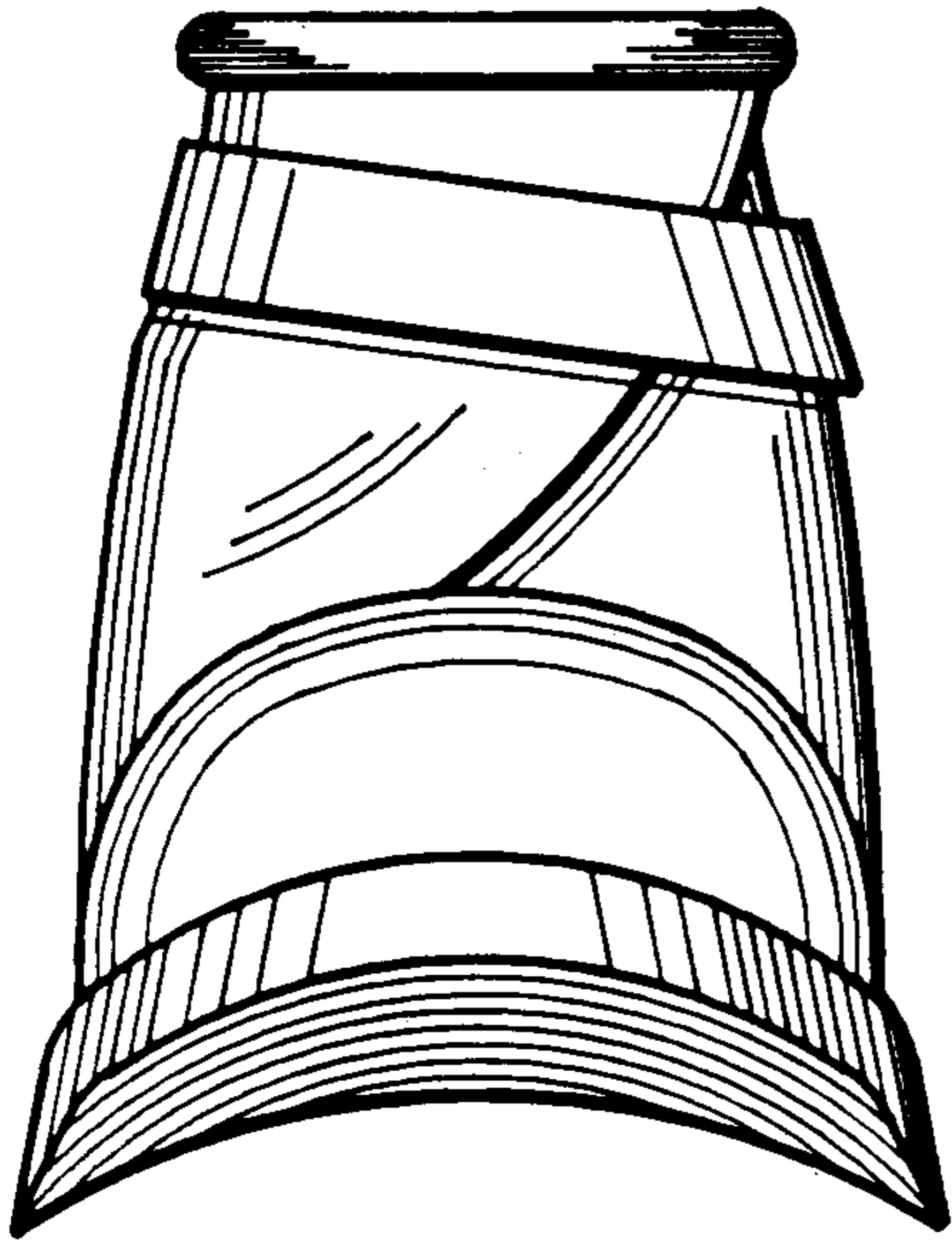


Fig. 1

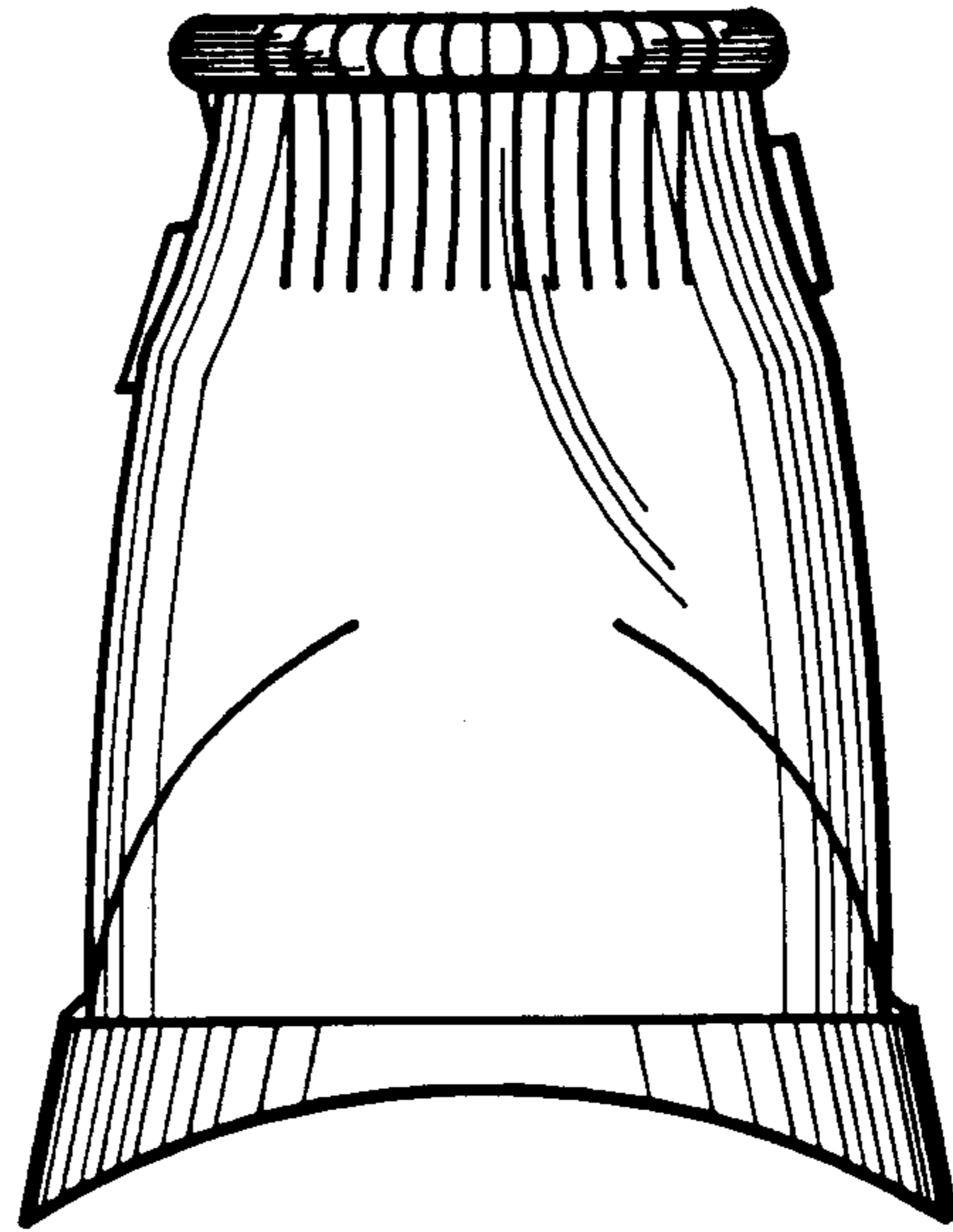


Fig. 2

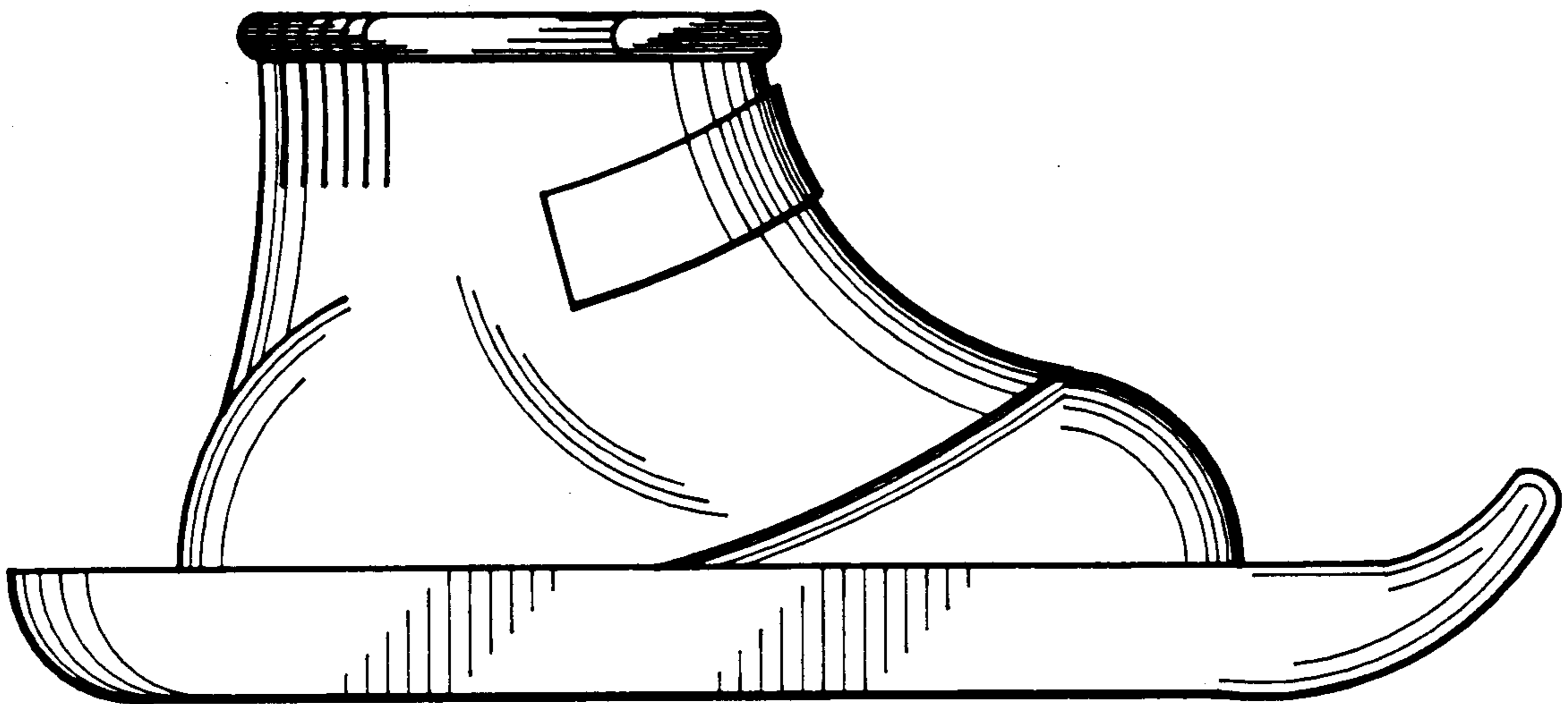


Fig. 3

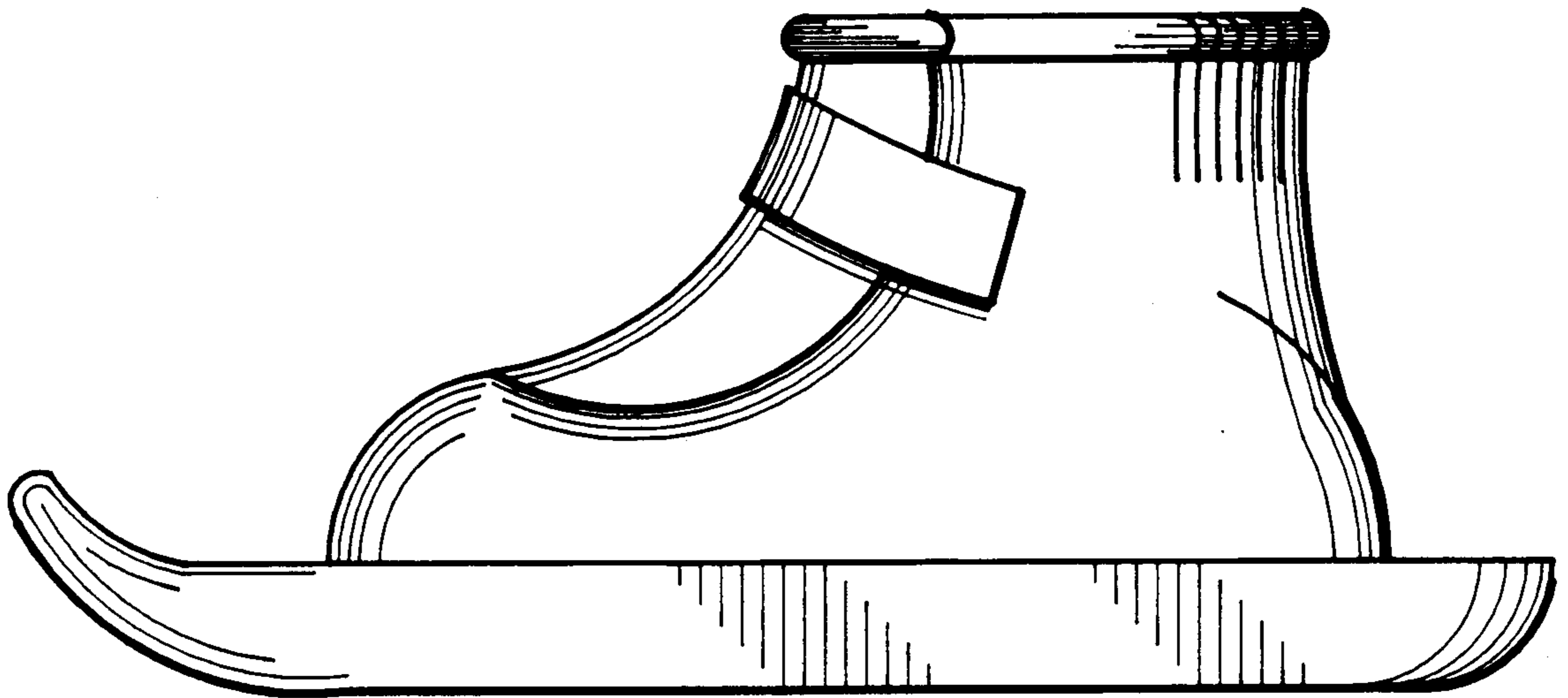


Fig. 4

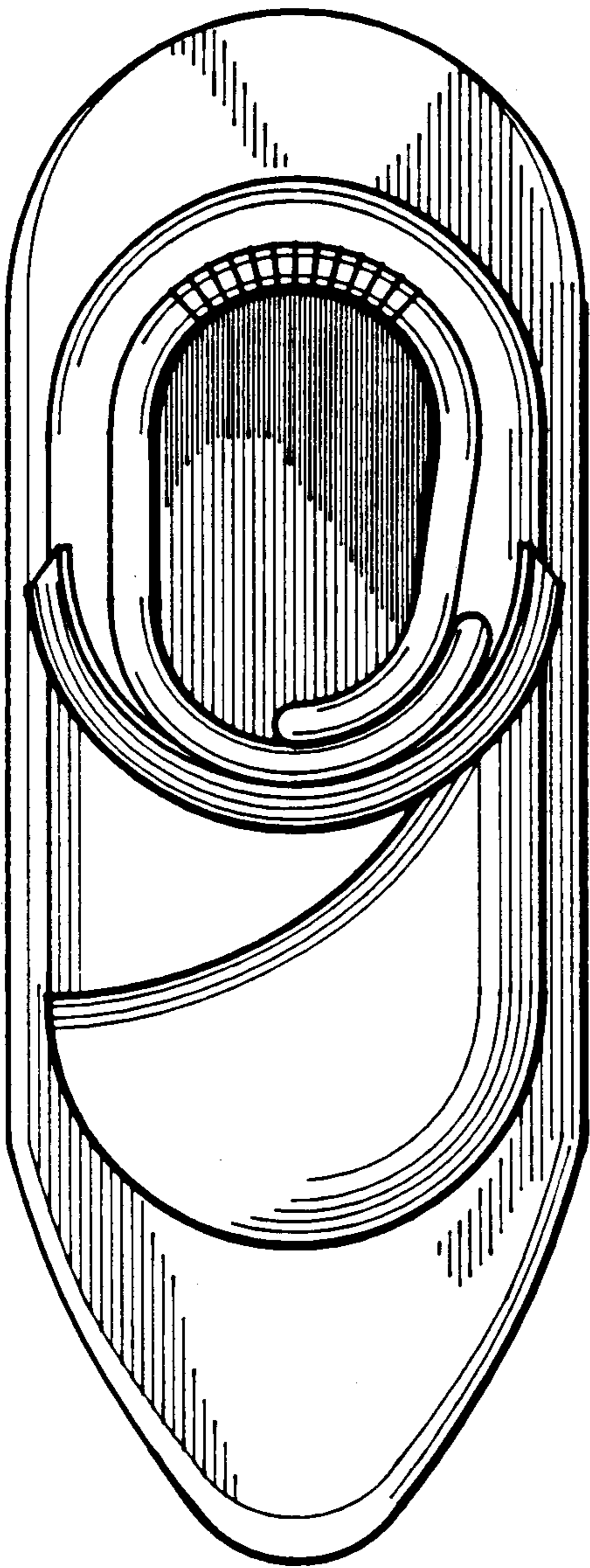


Fig. 5

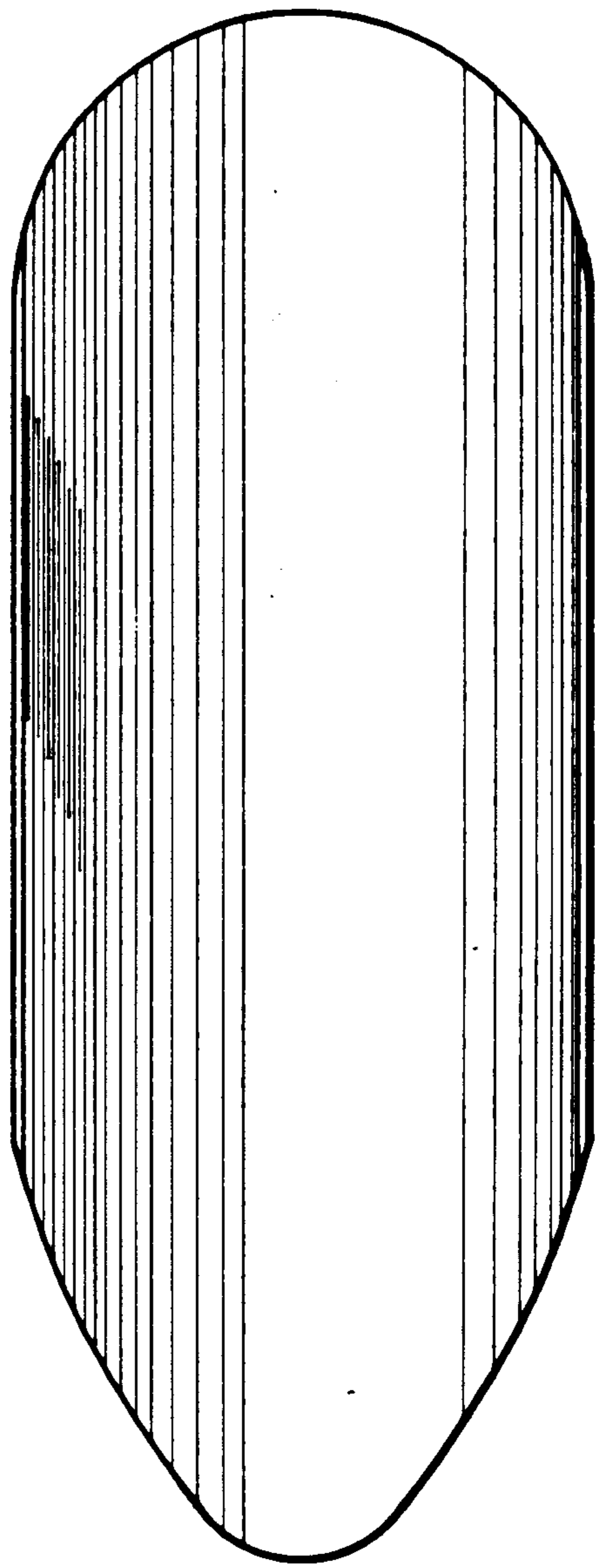


Fig. 6