

[54] **GOLF CLUB HEAD**

*Primary Examiner—Melvin B. Feifer
Attorney, Agent, or Firm—N. J. Aquilino*

[76] **Inventor: David T. Pelz, 436 Seawind, Austin, Tex. 78746**

[57] **CLAIM**

The ornamental design for a golf club head, as shown and described.

[**] **Term: 14 Years**

[21] **Appl. No.: 225,155**

DESCRIPTION

[22] **Filed: Jul. 28, 1988**

FIG. 1 is a perspective view of the golf club head showing my new design;

[52] **U.S. Cl. D21/219**

FIG. 2 is a front elevational view thereof;

[58] **Field of Search D21/214-220;
273/167-175, 163 R, 164**

FIG. 3 is a side elevational view thereof;

FIG. 4 is a rear elevational view thereof;

FIG. 5 is a side elevational view taken from the opposite side of FIG. 3;

[56] **References Cited**

U.S. PATENT DOCUMENTS

- D. 196,736 10/1963 DeCarlo D21/217
- D. 229,204 11/1973 Romero D21/217
- D. 244,303 5/1977 Cabot D21/219

FIG. 6 is a top plan view thereof;

FIG. 7 is a bottom view thereof.

The broken line showing of a fragmented shaft is for illustrative purposes only.

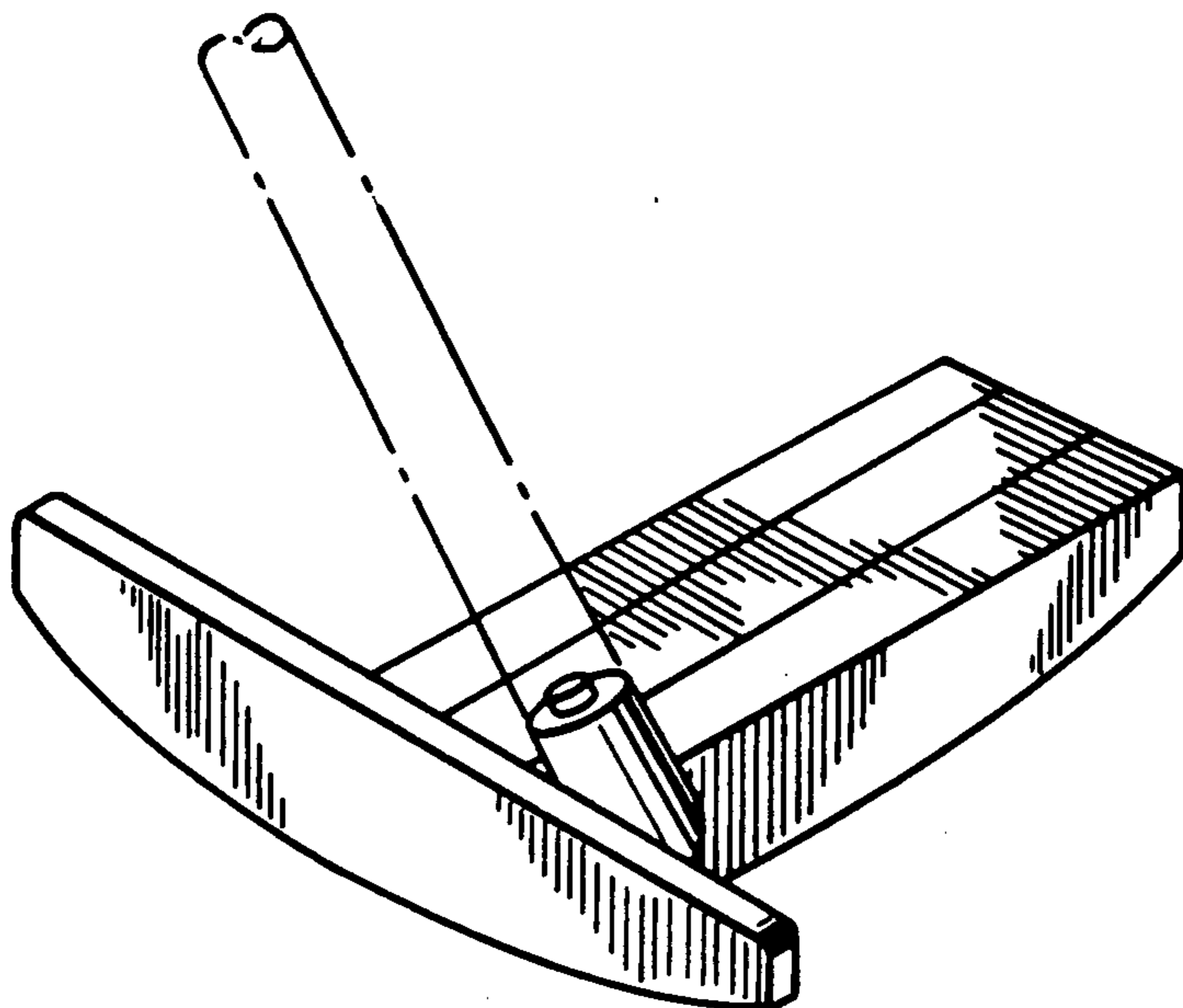


FIG. 1

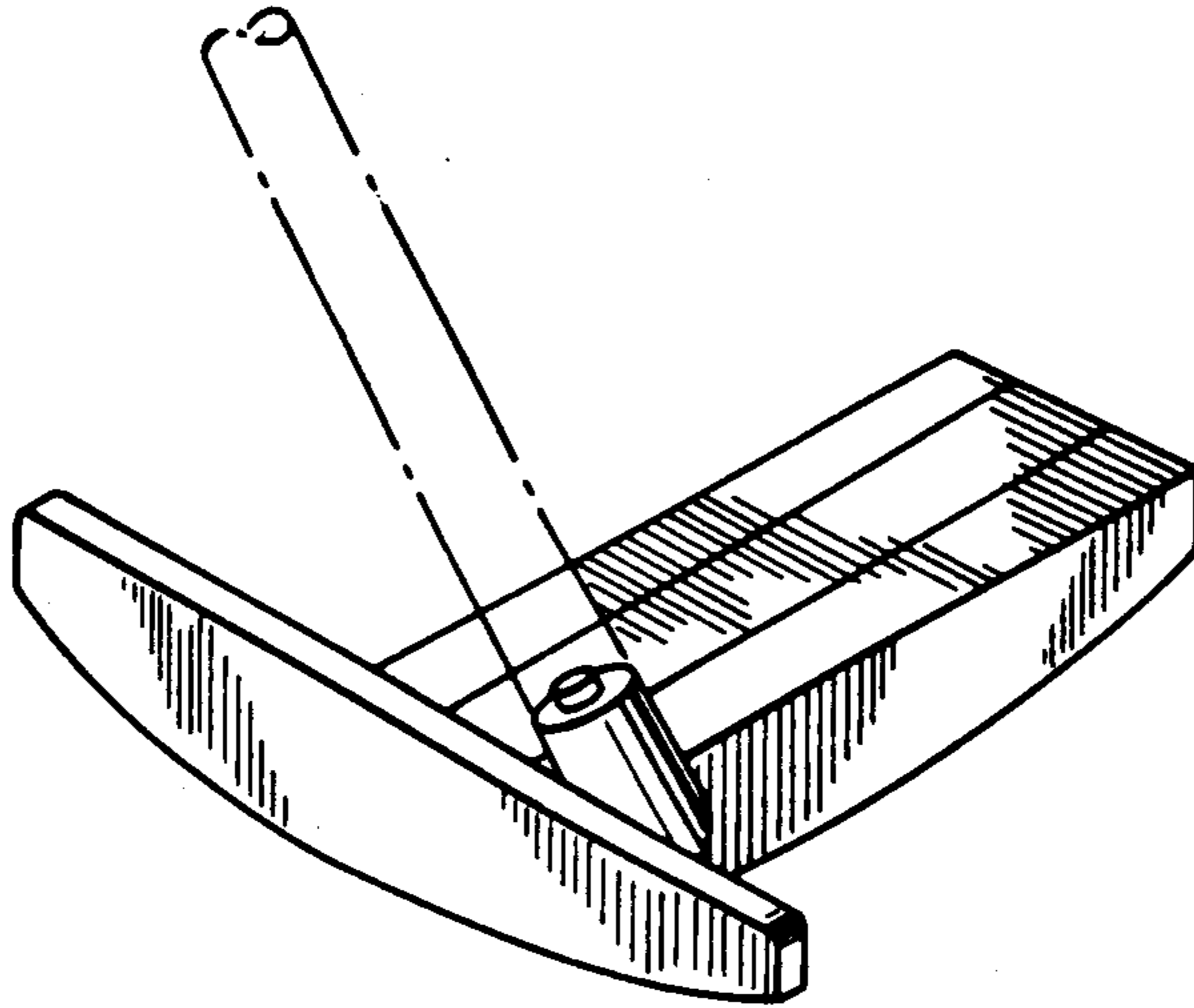


FIG. 2

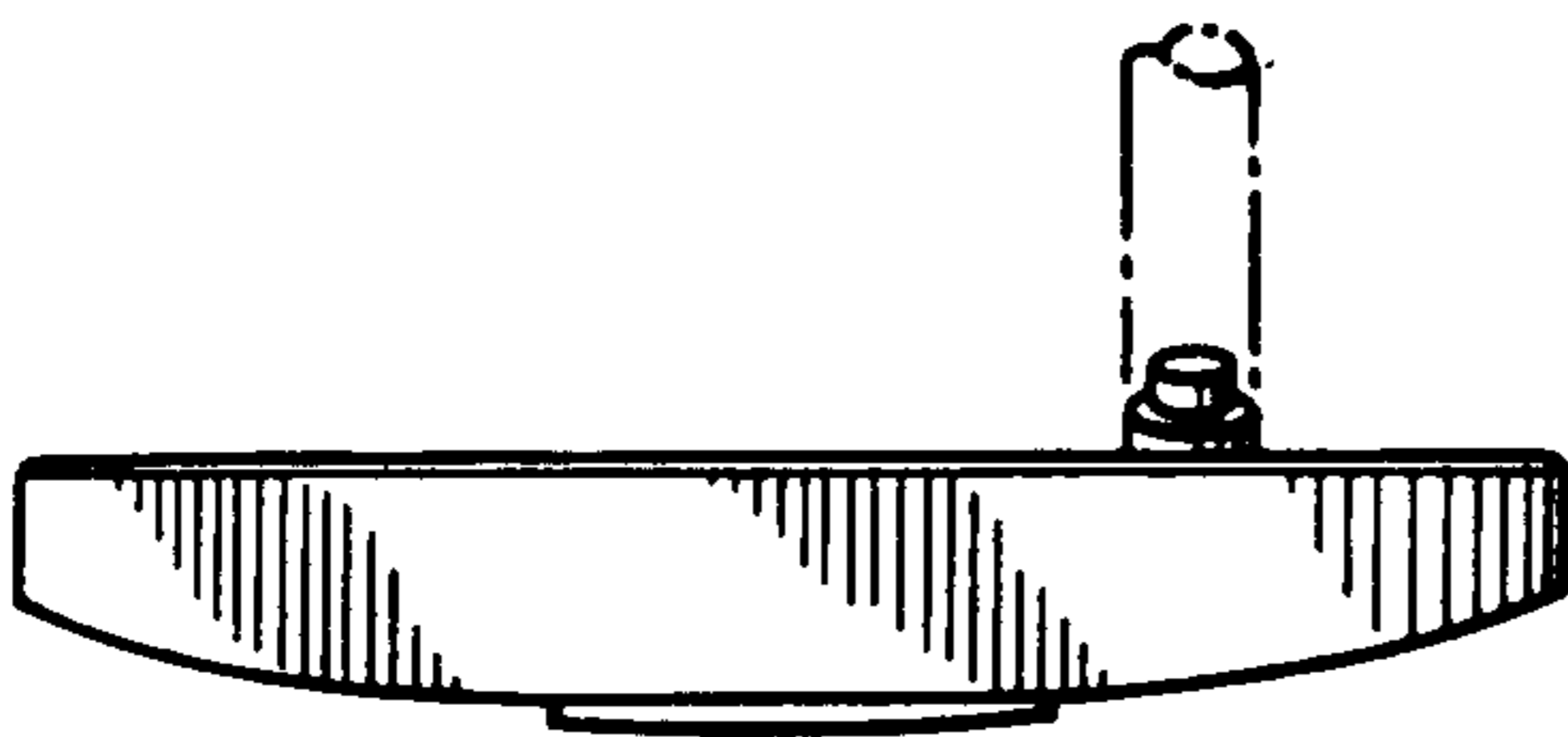


FIG. 3

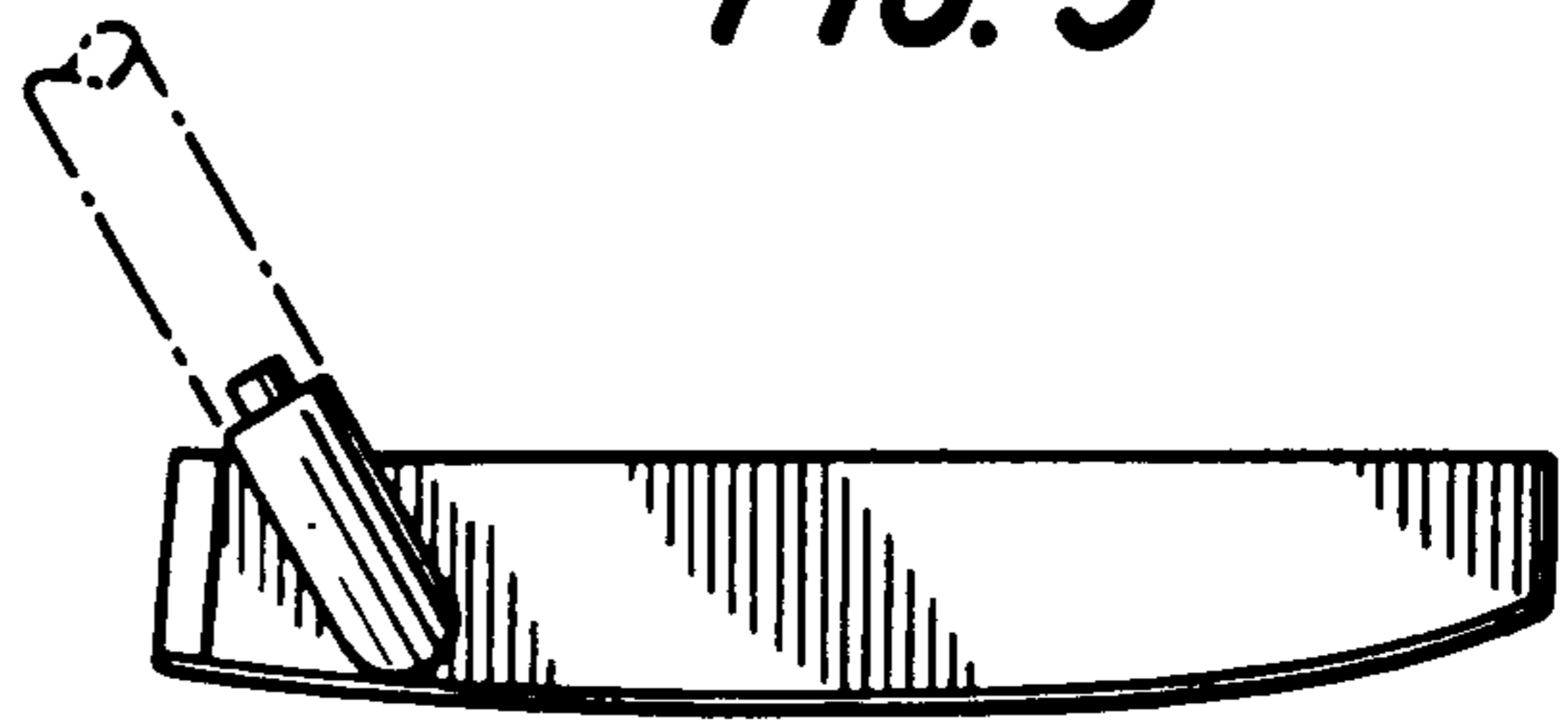


FIG. 4



FIG. 5

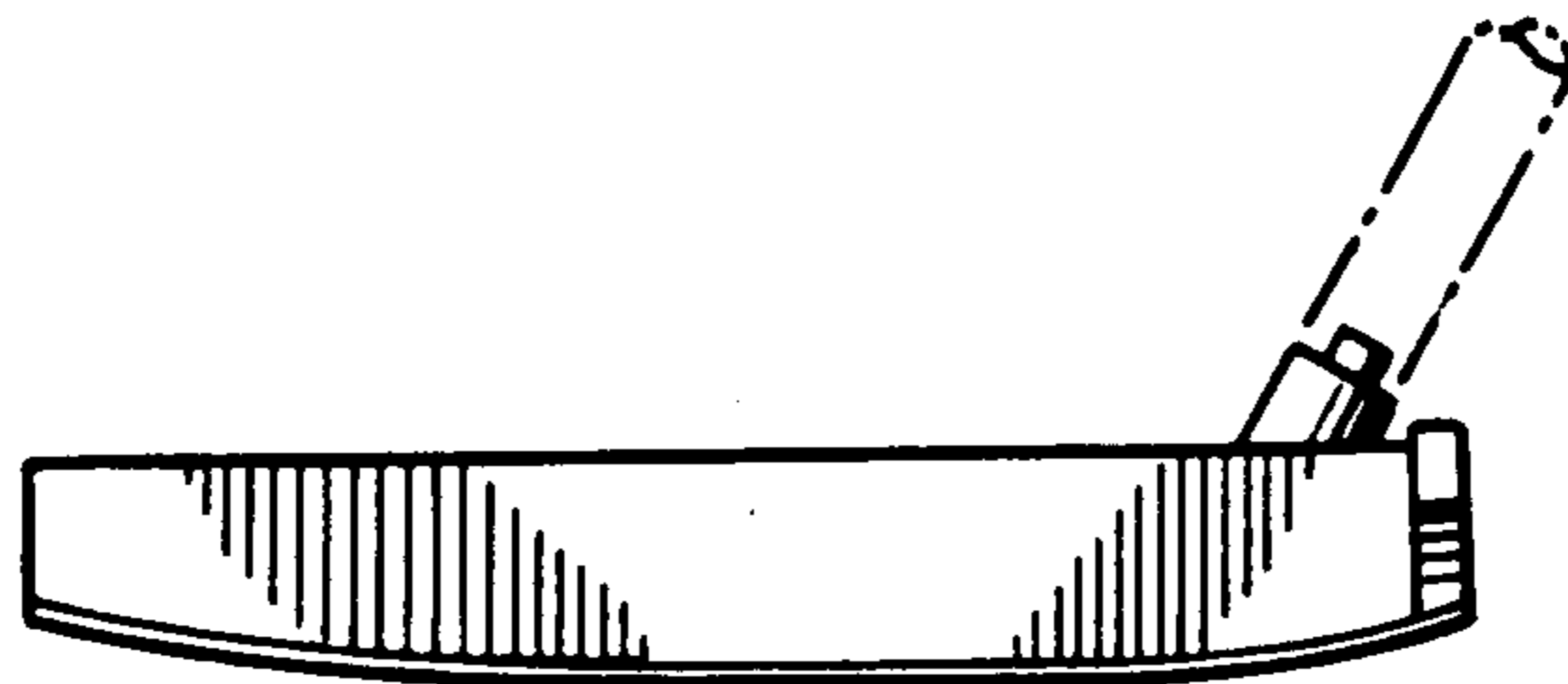


FIG. 6

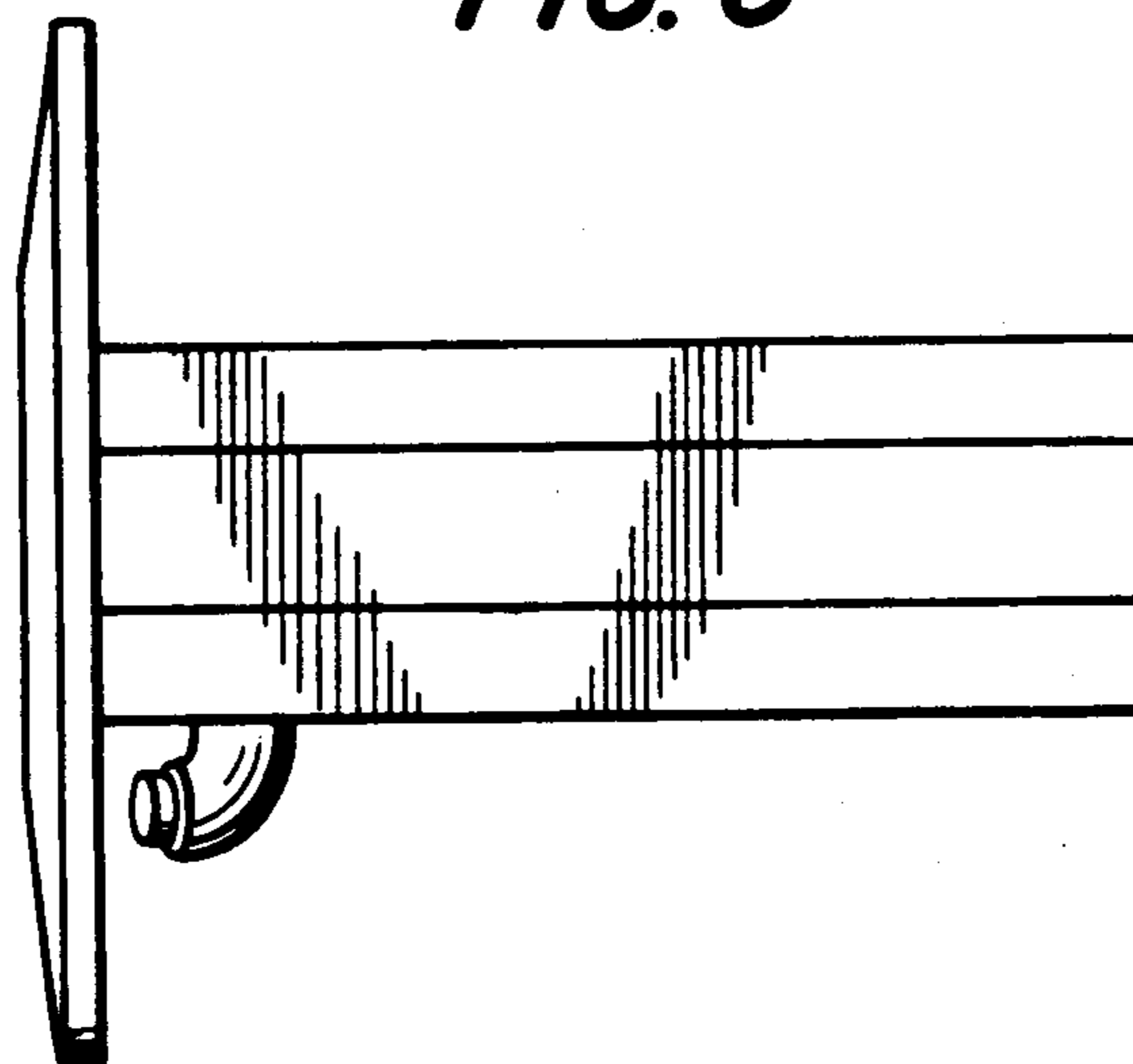


FIG. 7

