

[54] SAFETY SPOTTER SUPPORT FOR BARBELLS

[76] Inventor: Louis Ceppo, 210 E. Tampa Ave., Cherry Hill, N.J. 08034

[**] Term: 14 Years

[21] Appl. No.: 171,513

[22] Filed: Mar. 21, 1988

[52] U.S. CL. D21/191; D6/431; D6/449

[58] Field of Search D6/449, 349, 355, 462, D6/429, 430, 431; D21/191; 211/60.1, 175; 273/29 A

[56] References Cited

U.S. PATENT DOCUMENTS

- D. 226,771 4/1973 Jacobs D21/191
- D. 251,460 4/1979 Albert D6/349 X
- D. 261,909 11/1981 Heatwole D21/191 X
- D. 262,921 2/1982 Poole D6/349 X
- D. 277,400 1/1985 Inoue D21/191

- D. 290,033 5/1987 Policastro D21/191
- D. 291,338 8/1987 Ringel et al. D21/191

OTHER PUBLICATIONS

Intrex Furniture Catalog, 7/1977, p. 49, #91214.

Primary Examiner—Bruce W. Dunkins

Assistant Examiner—Jeffrey Asch

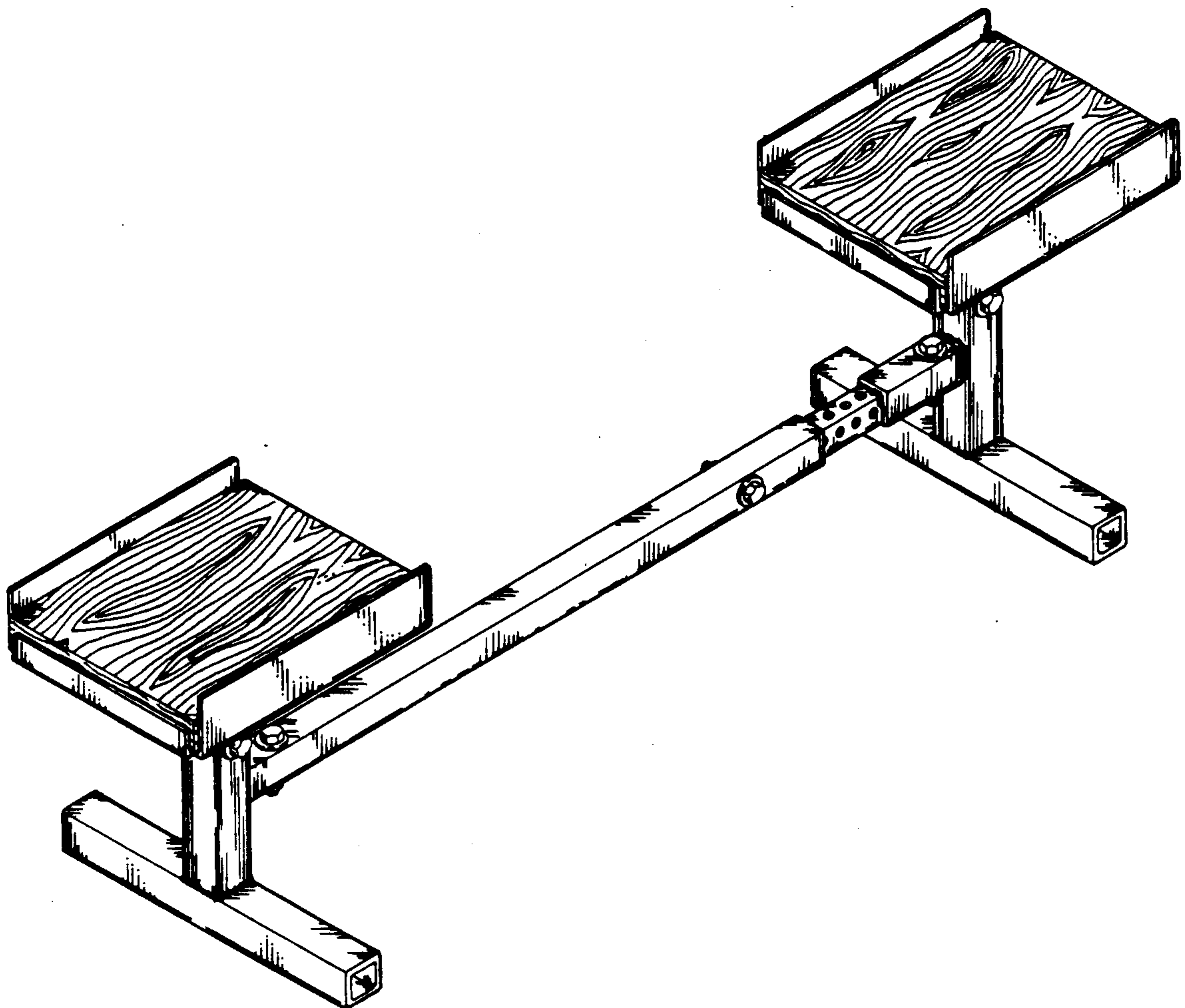
Attorney, Agent, or Firm—Norman E. Lehrer

[57] CLAIM

The ornamental design for a safety spotter support for barbells, as shown and described.

DESCRIPTION

FIG. 1 is a perspective view of a safety spotter support for barbells showing my new design;
 FIG. 2 is a left side elevational view thereof;
 FIG. 3 is a right side elevational view thereof;
 FIG. 4 is a front elevational view thereof;
 FIG. 5 is a rear elevational view thereof;
 FIG. 6 is a top plan view thereof, and
 FIG. 7 is a bottom plan view thereof.



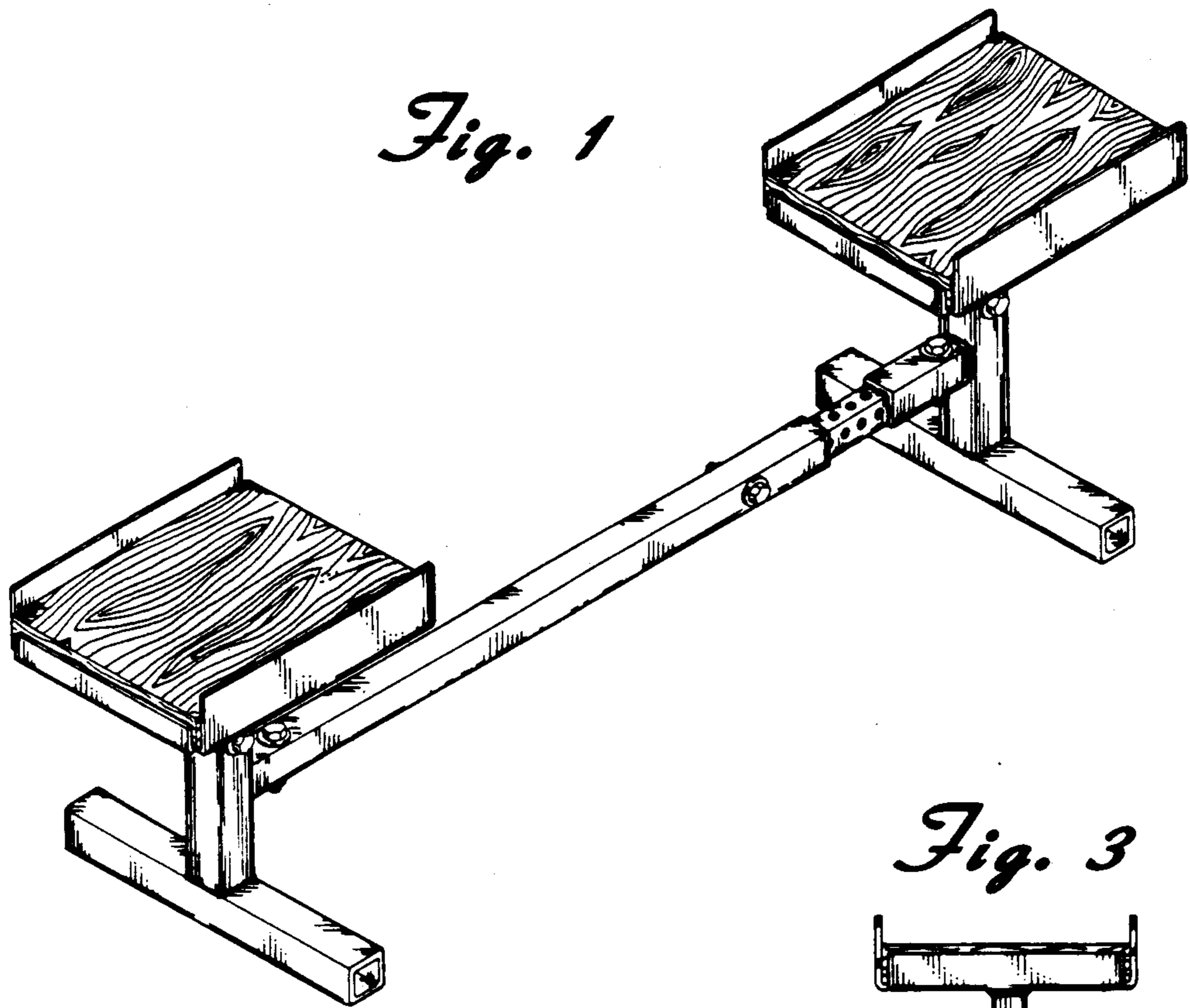


Fig. 2

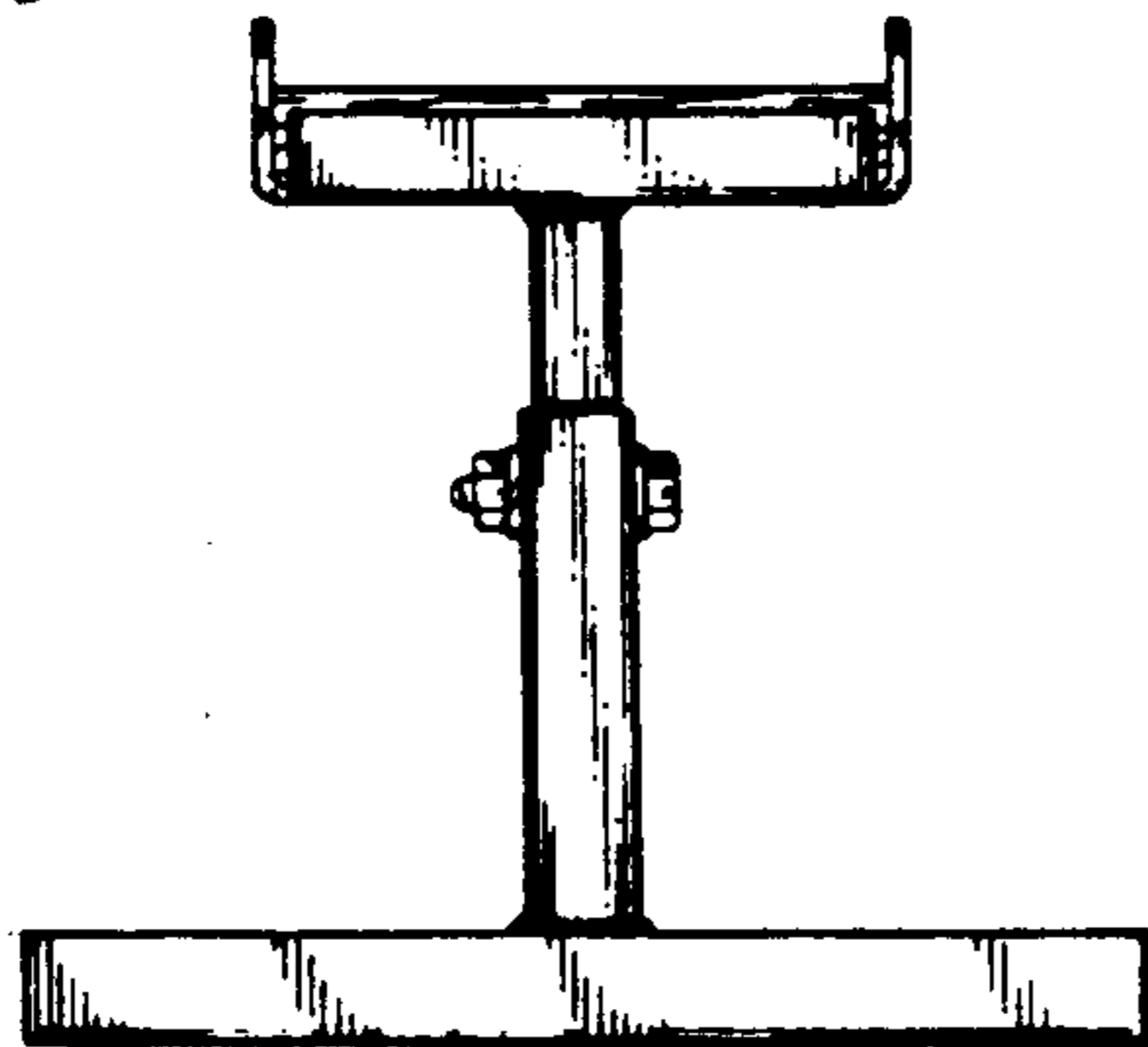


Fig. 3

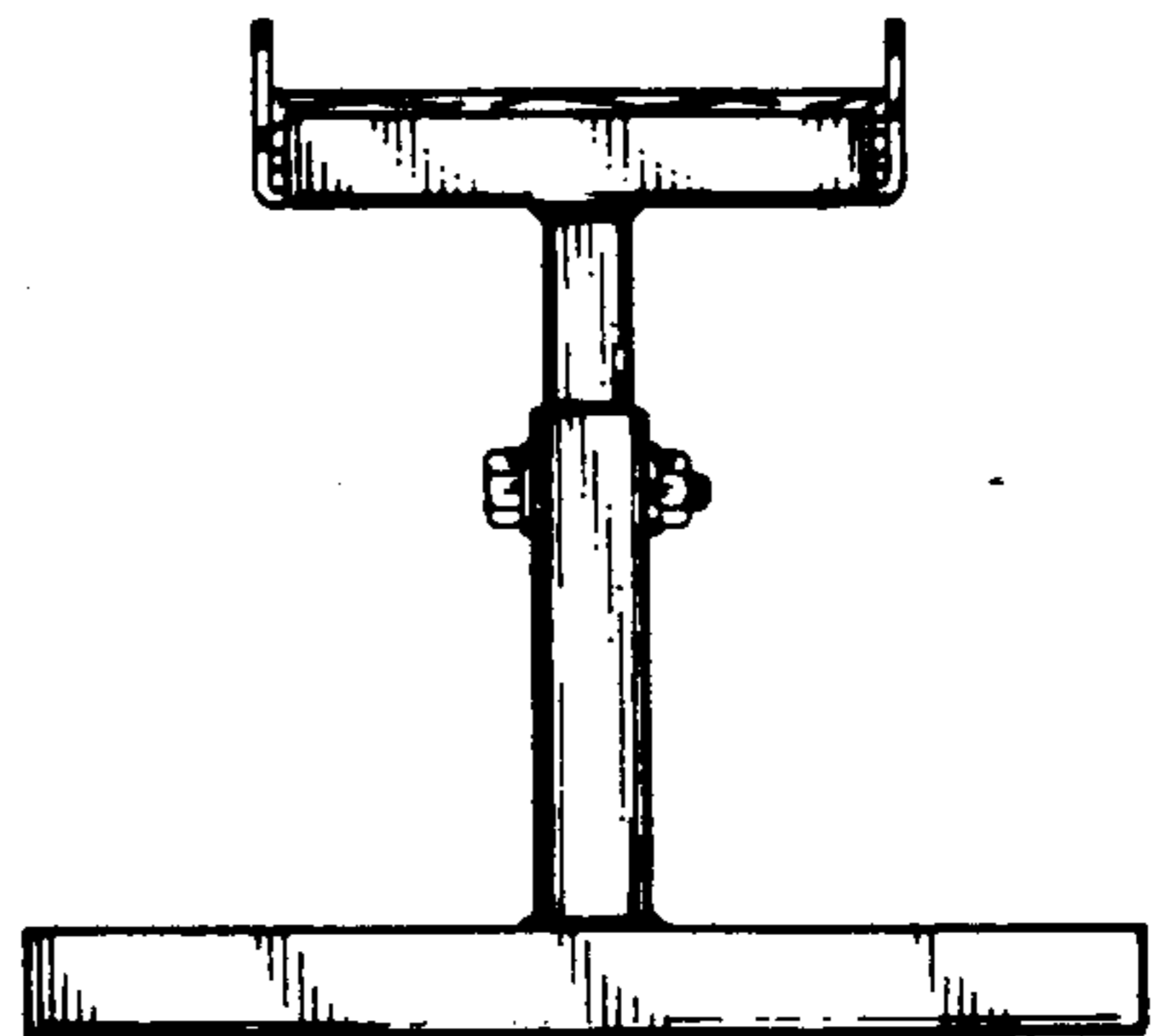


Fig. 4

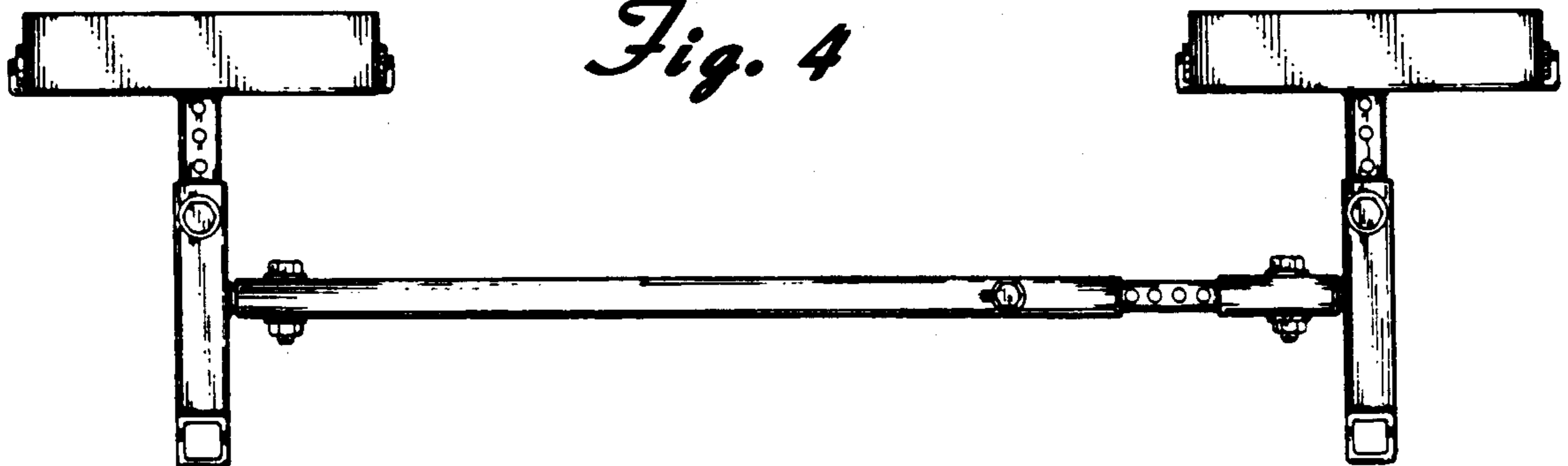


Fig. 5

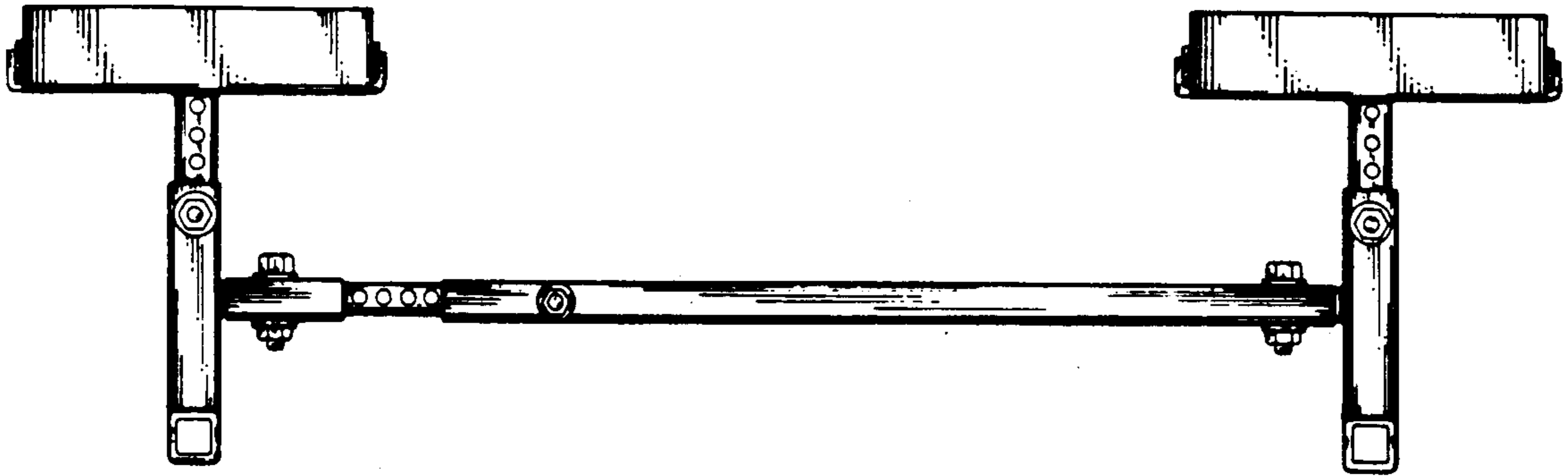


Fig. 6

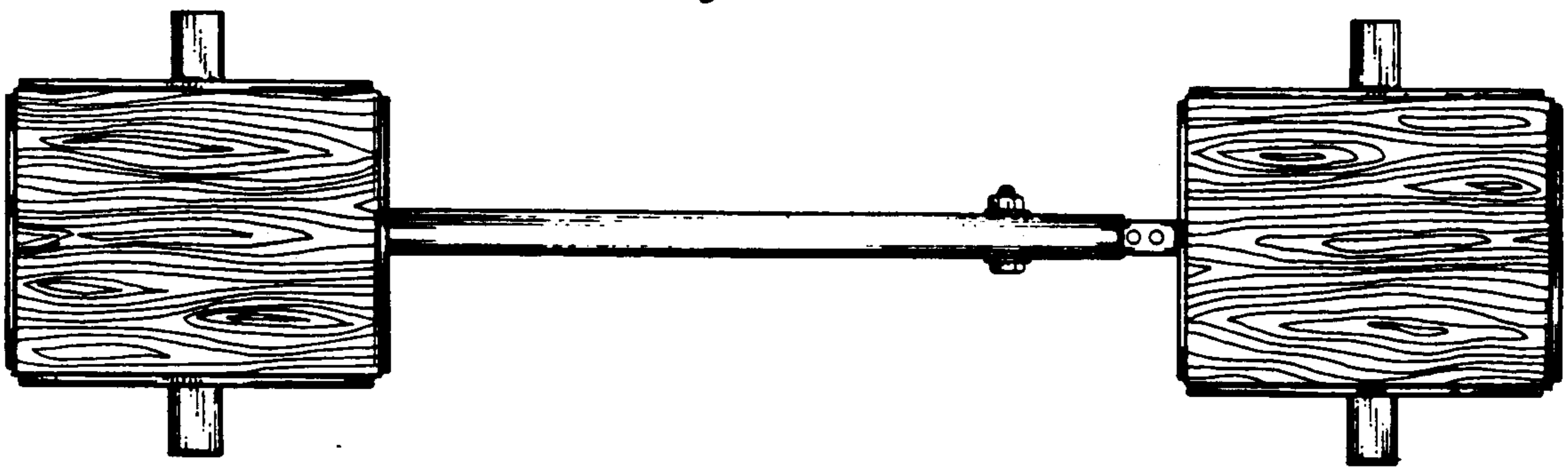


Fig. 7

