

[54] TOY RACING CAR

[75] Inventor: Kiyoshi Yajima, Shizuoka, Japan

[73] Assignee: Kabushiki Kaisha Tamiya Mokei, Shizuoka, Japan

[\*\*] Term: 14 Years

[21] Appl. No.: 375,516

[22] Filed: Jul. 5, 1989

[30] Foreign Application Priority Data

Mar. 6, 1989 [JP] Japan ..... 1-7929

[52] U.S. Cl. .... D21/137

[58] Field of Search ..... D21/136, 137; D12/88, D12/86; 446/470, 471, 454, 456, 444, 446

[56] References Cited

PUBLICATIONS

Hong Kong Toys '88, p. 405, center.

Hong Kong Toys '88, p. 86, lower right.  
Hong Kong Toys '88, p. 32, No. 4463.  
Hong Kong Toys '88, p. 48, top.

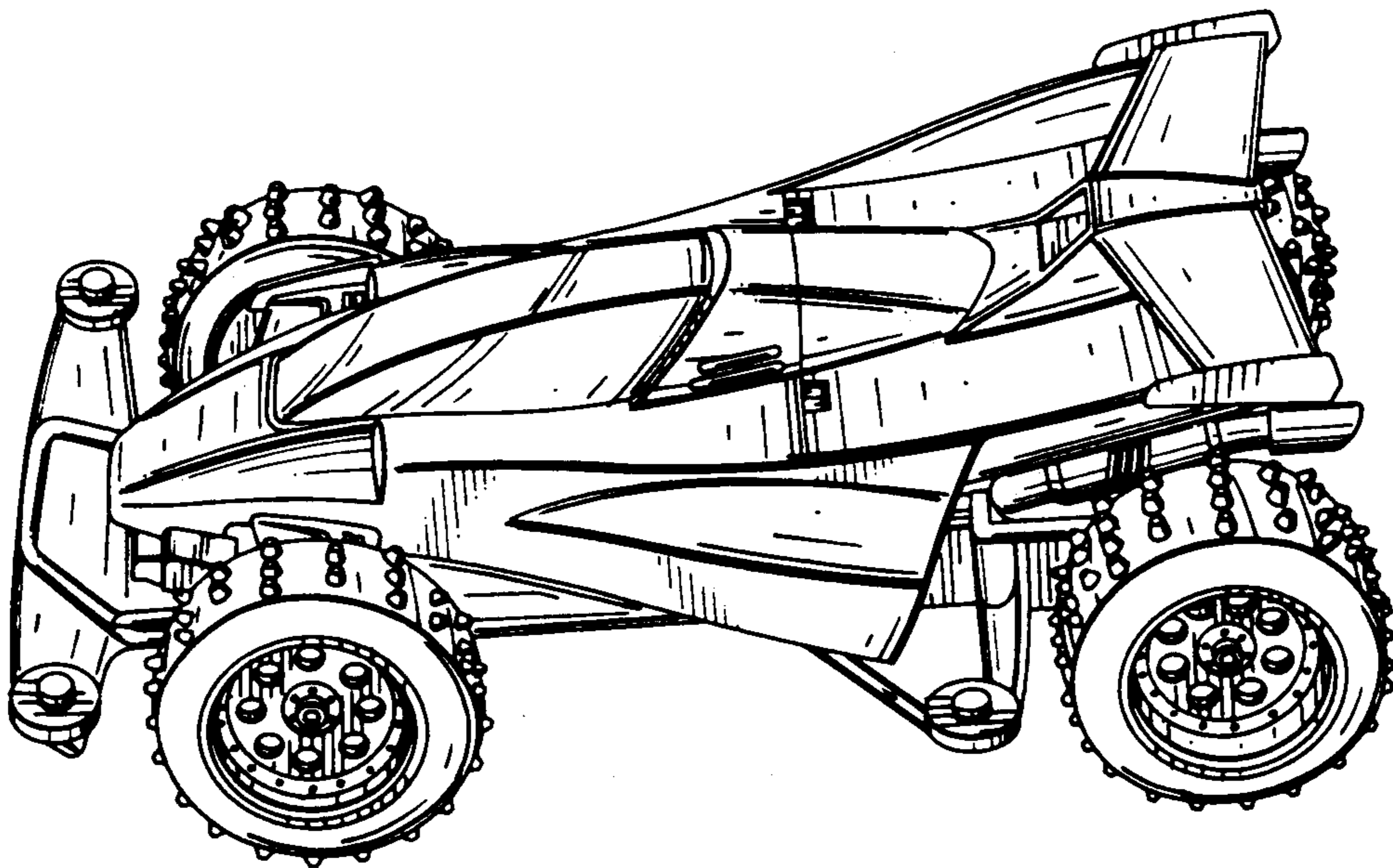
Primary Examiner—Charles A. Rademaker  
Assistant Examiner—Raphael Barkai  
Attorney, Agent, or Firm—Finnegan, Henderson, Farabow, Garrett & Dunner

[57] CLAIM

The ornamental design for a toy racing car, as shown and described.

DESCRIPTION

FIG. 1 is a perspective view of a toy racing car showing my new design;  
FIG. 2 is a front elevational view thereof;  
FIG. 3 is a rear elevational view thereof;  
FIG. 4 is a top plan view thereof;  
FIG. 5 is a bottom plan view thereof;  
FIG. 6 is a right elevational view thereof; and  
FIG. 7 is a right side elevational view thereof.



*FIG. 1*

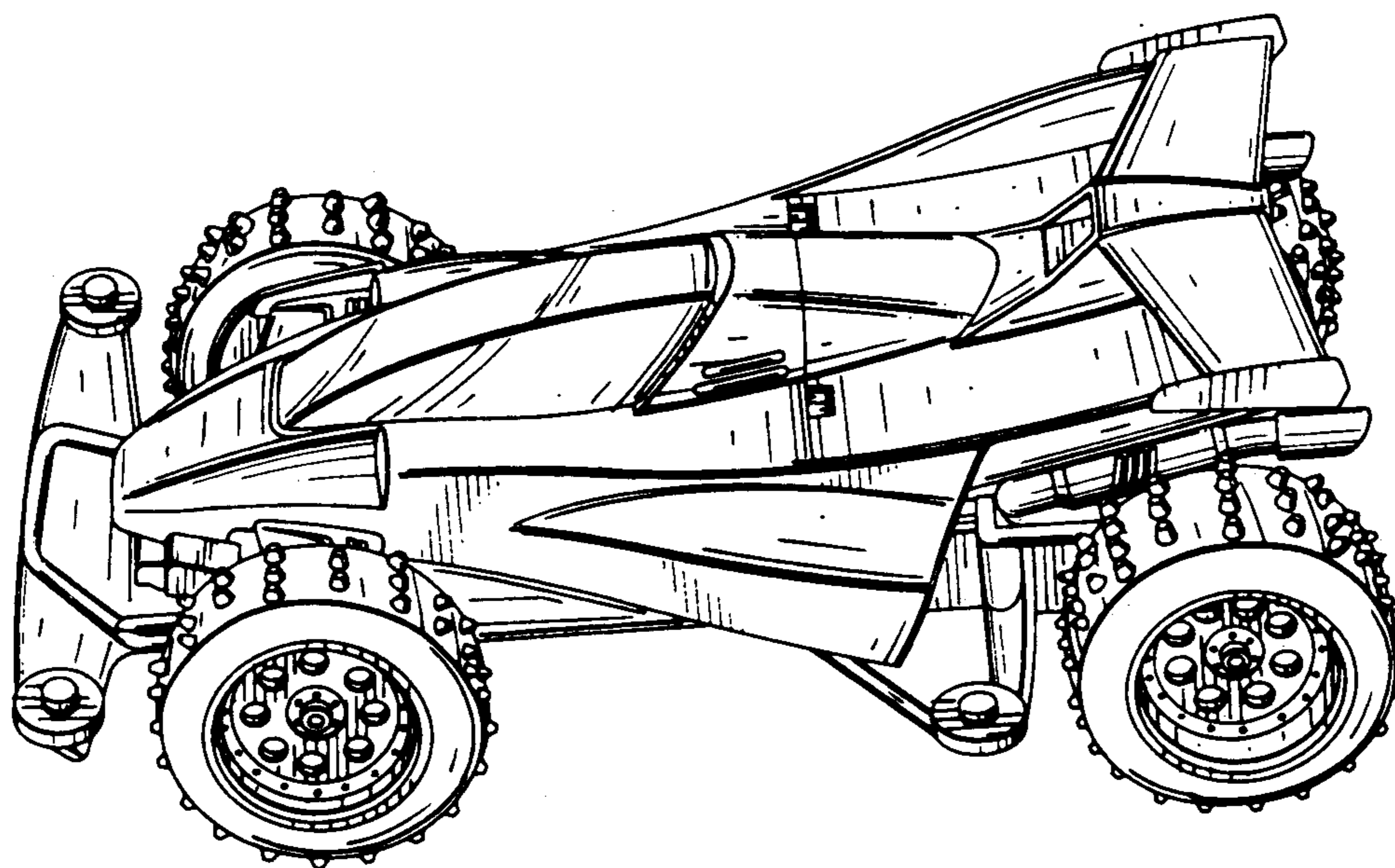


FIG. 2

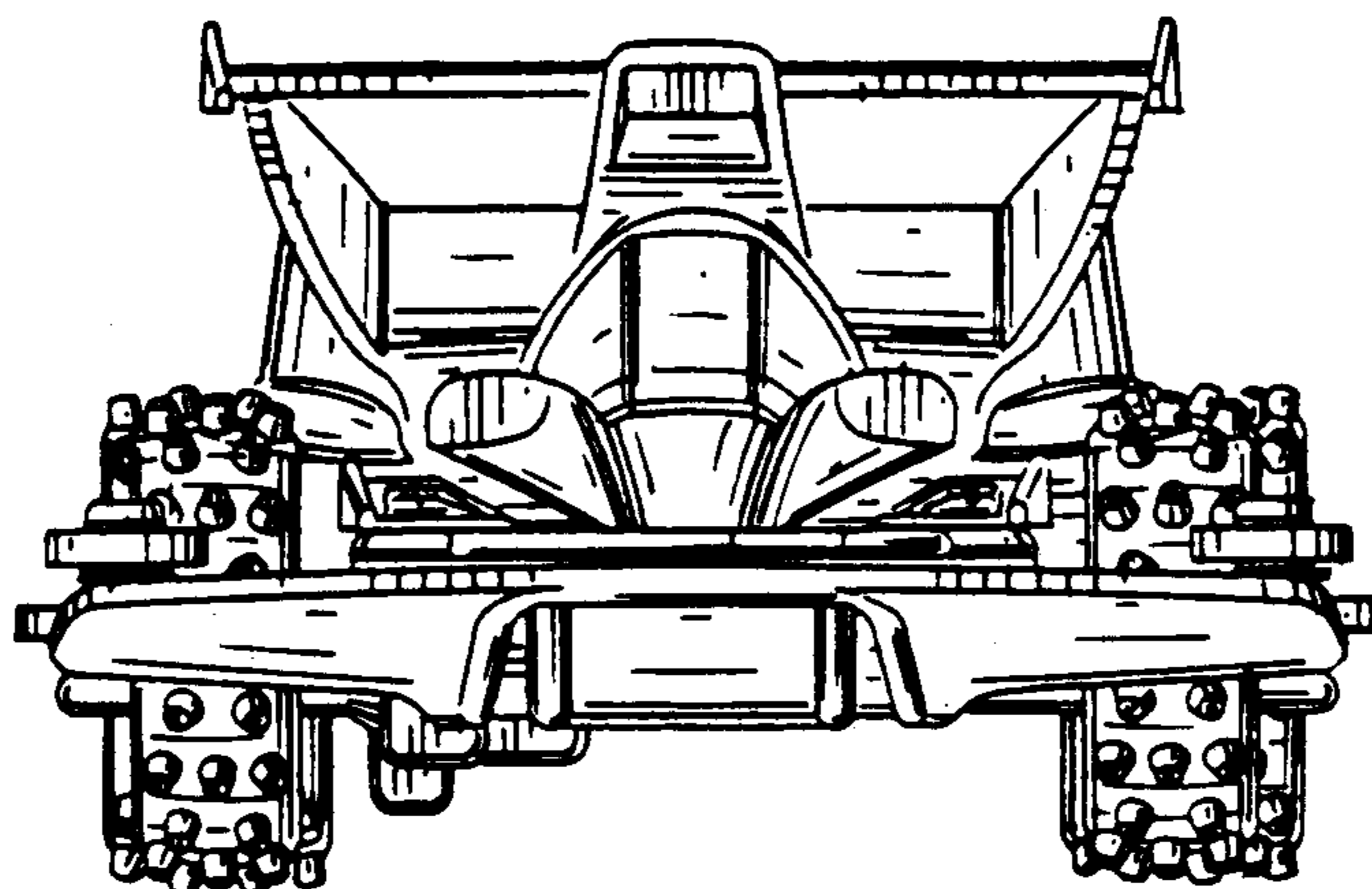


FIG. 3

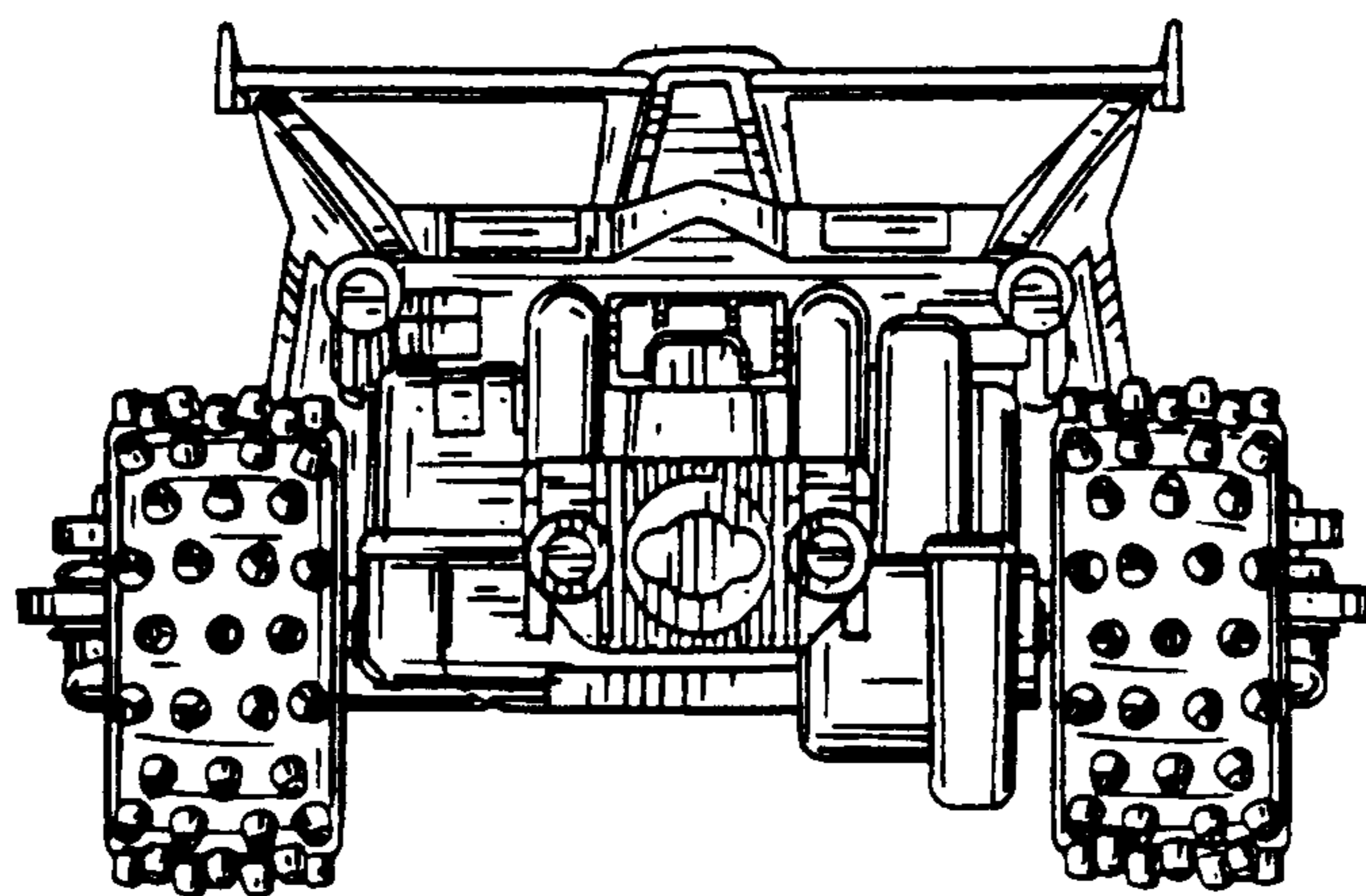


FIG. 4

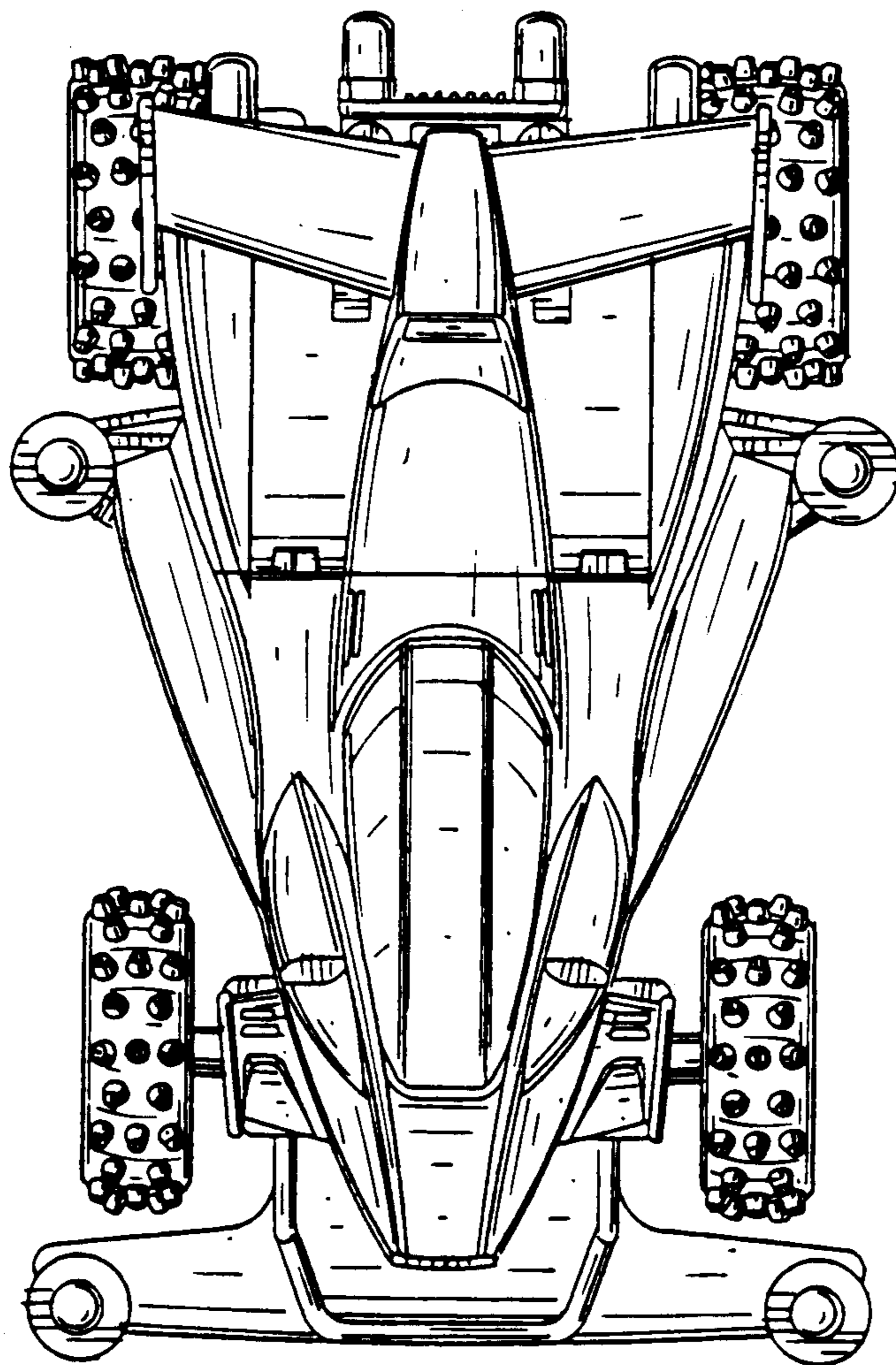


FIG. 5

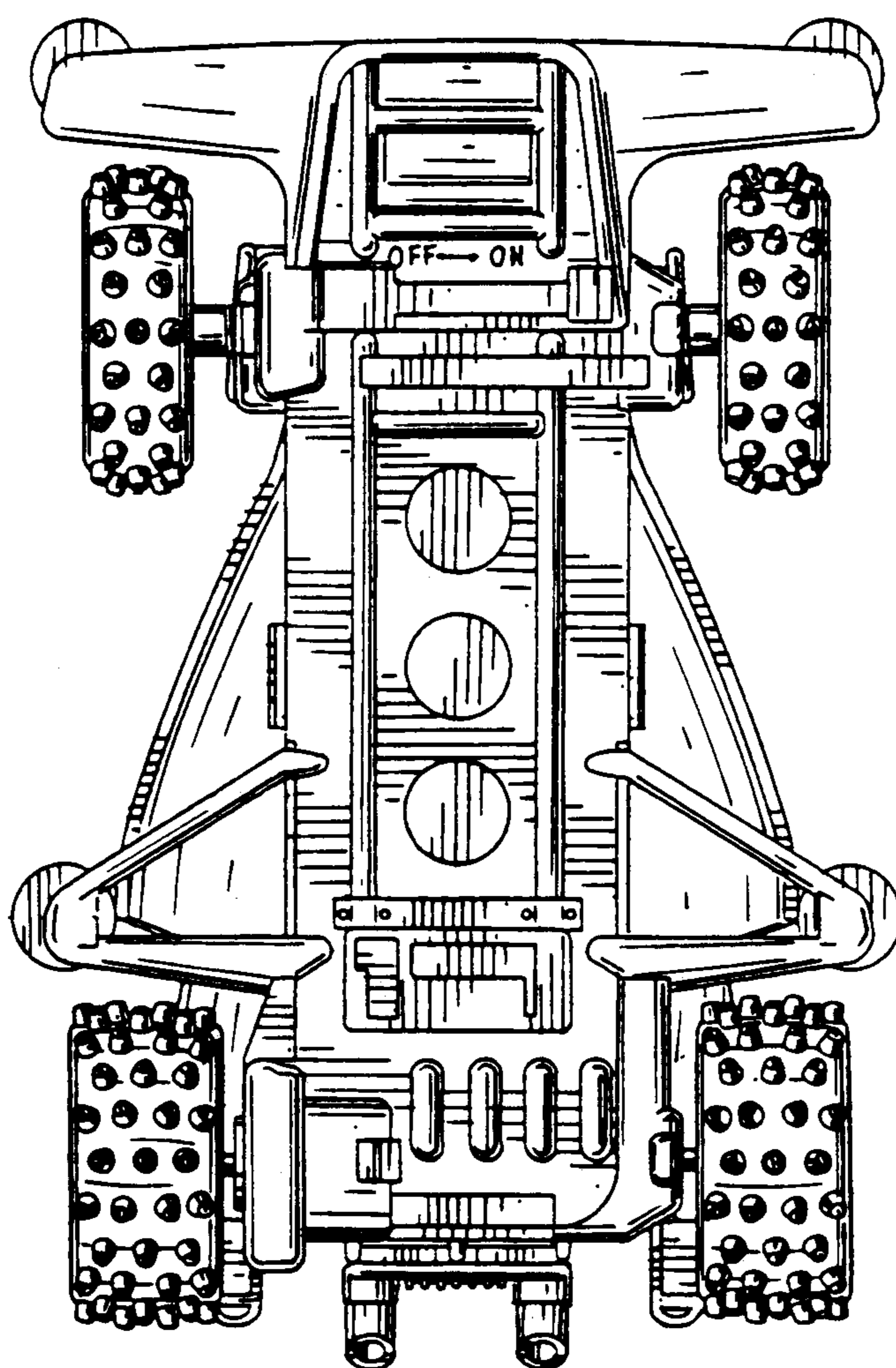


FIG. 6

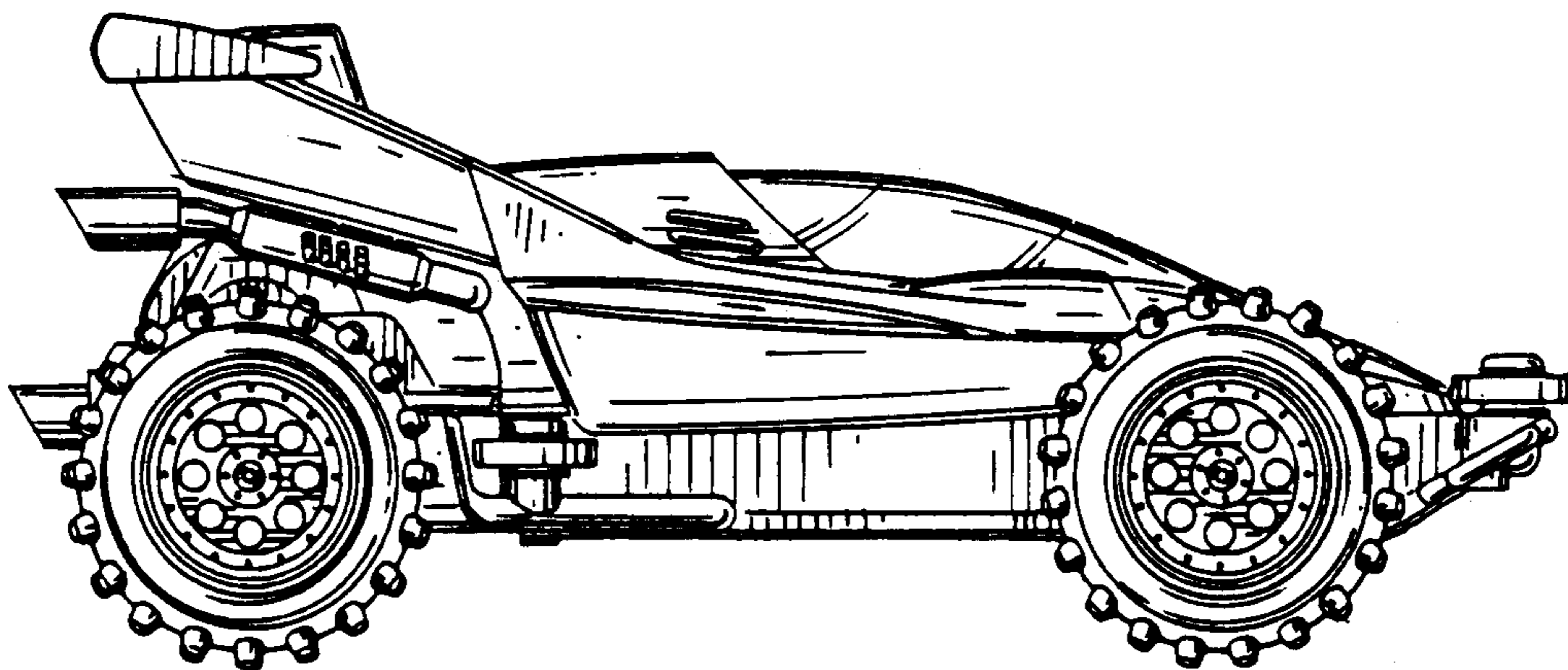


FIG. 7

