

United States Patent [19]

Tachikawa

[11] Patent Number: **Des. 317,023**

[45] Date of Patent: **** May 21, 1991**

[54] **TOY BLOCK VEHICLE**

[75] Inventor: **Hideki Tachikawa, Tokyo, Japan**

[73] Assignee: **Tomy Company, Ltd., Tokyo, Japan**

[**] Term: **14 Years**

[21] Appl. No.: **360,735**

[22] Filed: **Jun. 2, 1989**

[30] **Foreign Application Priority Data**

Dec. 9, 1988 [JP] Japan 63-48076

[52] U.S. Cl. **D21/124**

[58] Field of Search D21/71, 80, 81, 108,
D21/124, 128, 134, 135, 141; 280/1.13, 1.22,
87.041, 87.043, 87.01, 828; 446/95, 128, 440

[56] **References Cited**

U.S. PATENT DOCUMENTS

D. 91,256 10/1933 Van Doren et al. D21/81

D. 99,479 4/1936 Kraeft D21/81
D. 201,028 5/1965 George D21/71
D. 253,901 1/1980 Sansom D21/81
4,601,674 7/1986 Koizumi 446/440
4,764,149 8/1988 Yoneyama 446/440

Primary Examiner—Charles A. Rademaker
Assistant Examiner—R. Barkai
Attorney, Agent, or Firm—Staas & Halsey

[57] **CLAIM**

The ornamental design for a toy block vehicle, as shown.

DESCRIPTION

FIG. 1 is a front elevational view of a toy block vehicle showing my new design;
FIG. 2 is rear elevational view thereof;
FIG. 3 is a right-side elevational view thereof;
FIG. 4 is left-side elevational view thereof;
FIG. 5 is a top plan view thereof; and
FIG. 6 is a bottom plan view.

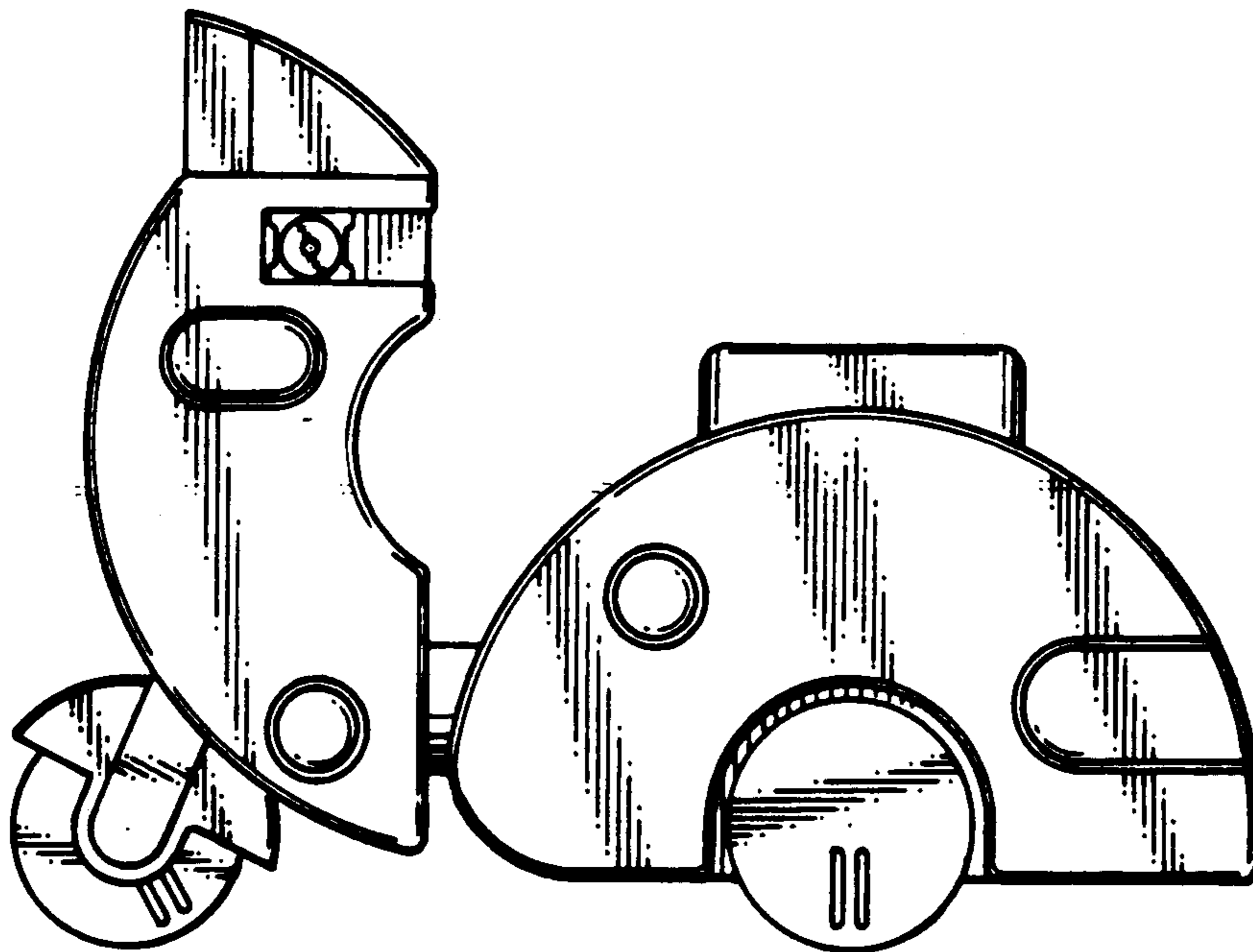


FIG. 1.

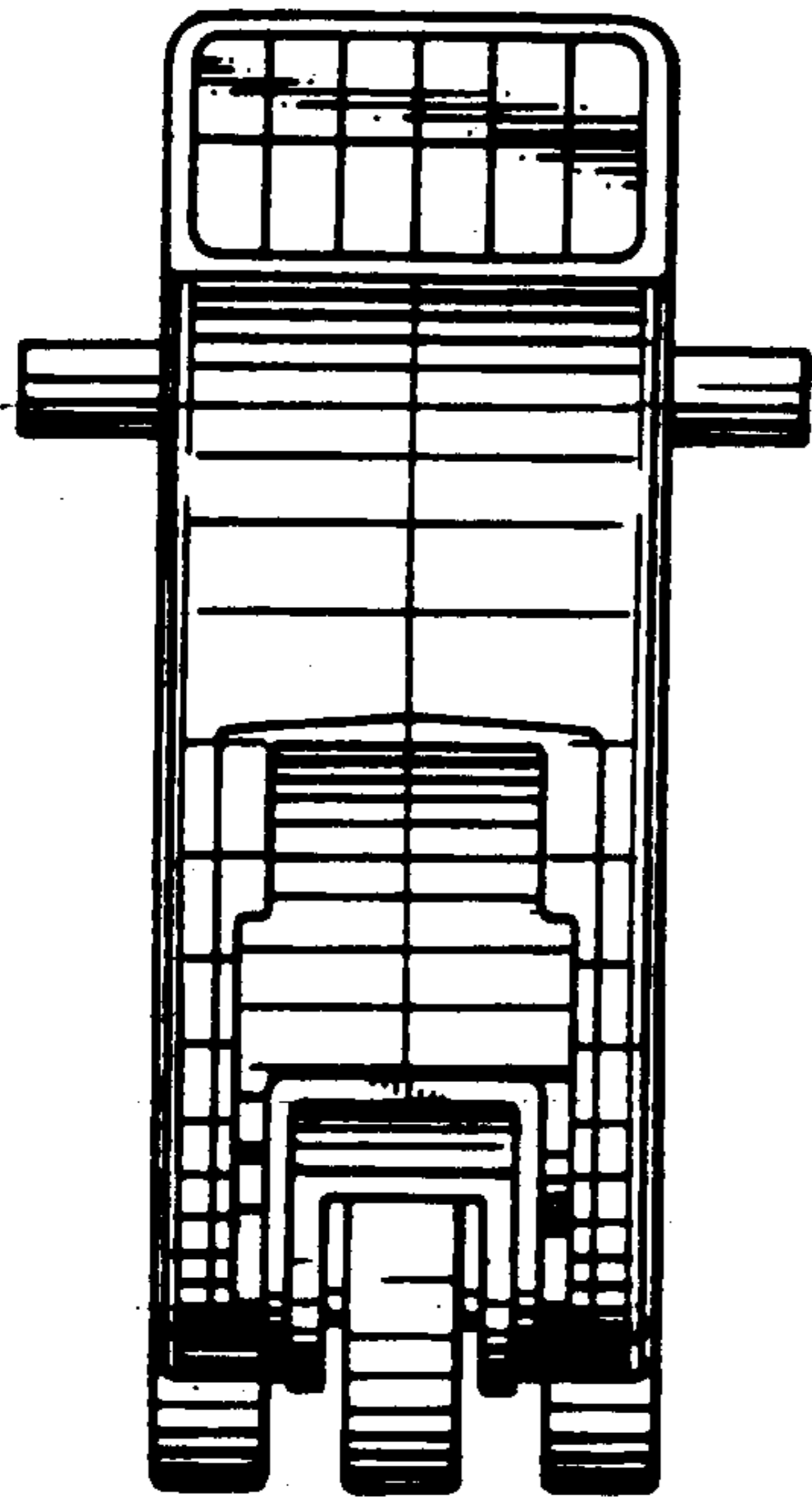


FIG. 2.

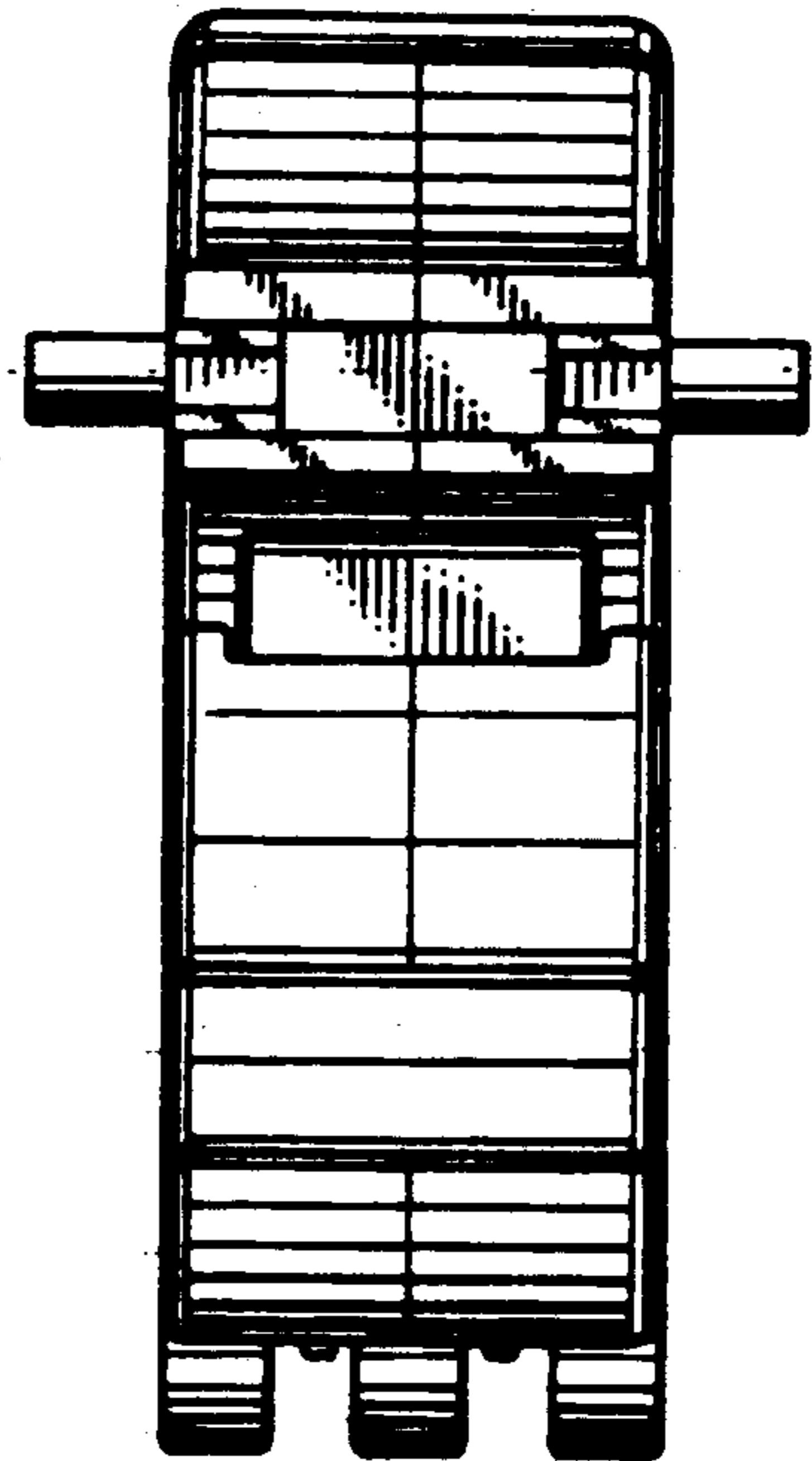


FIG. 3.

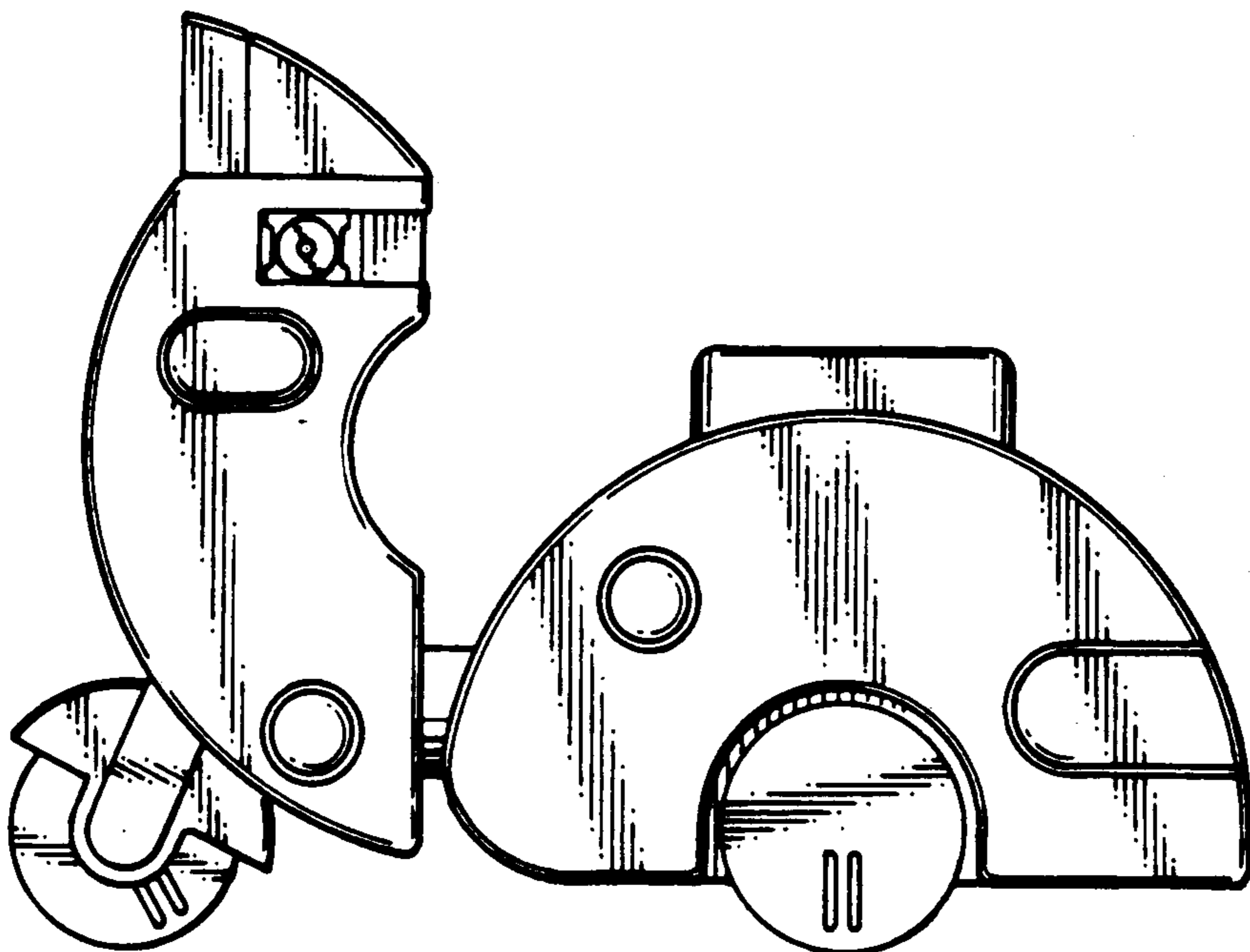


FIG. 4.

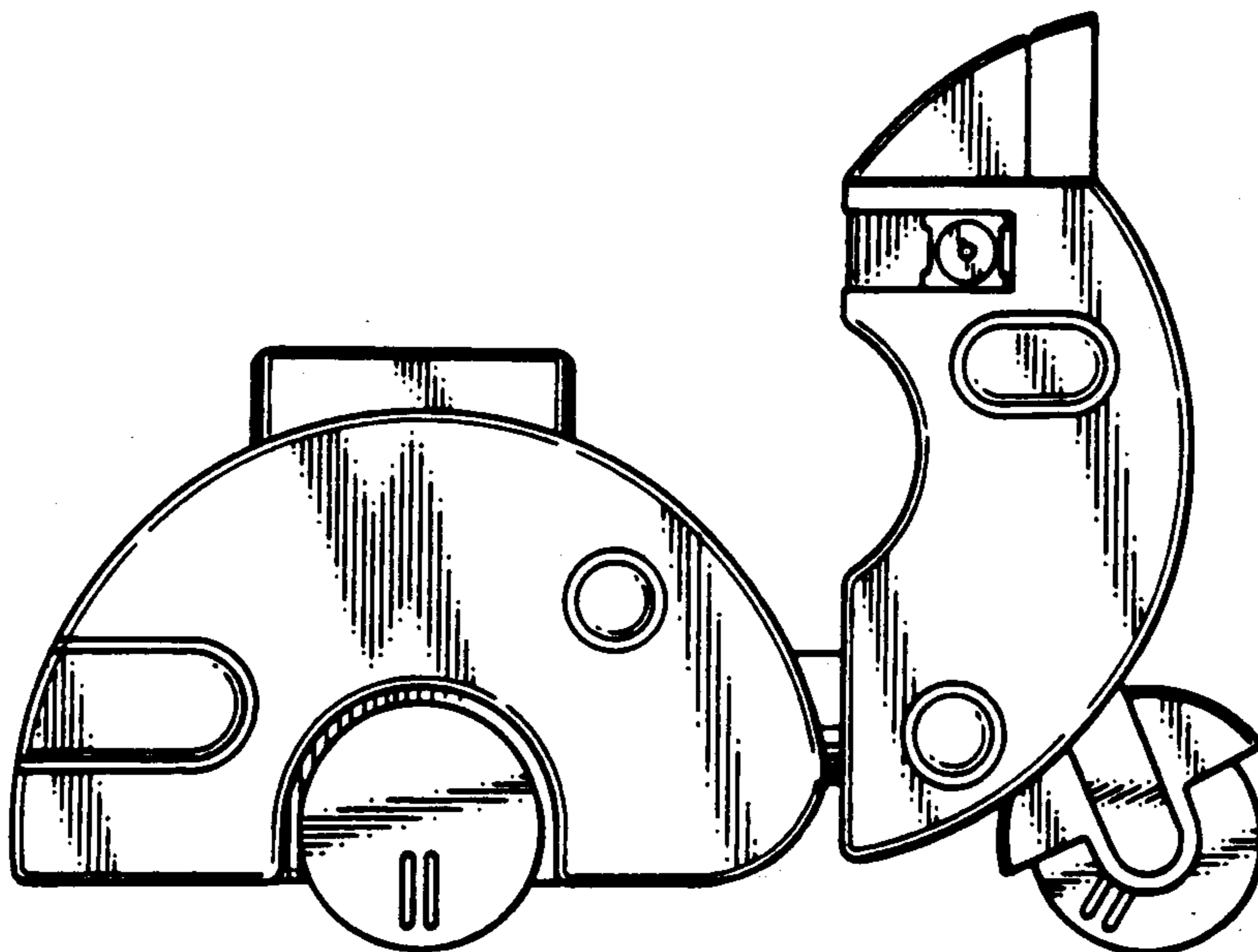


FIG. 5.

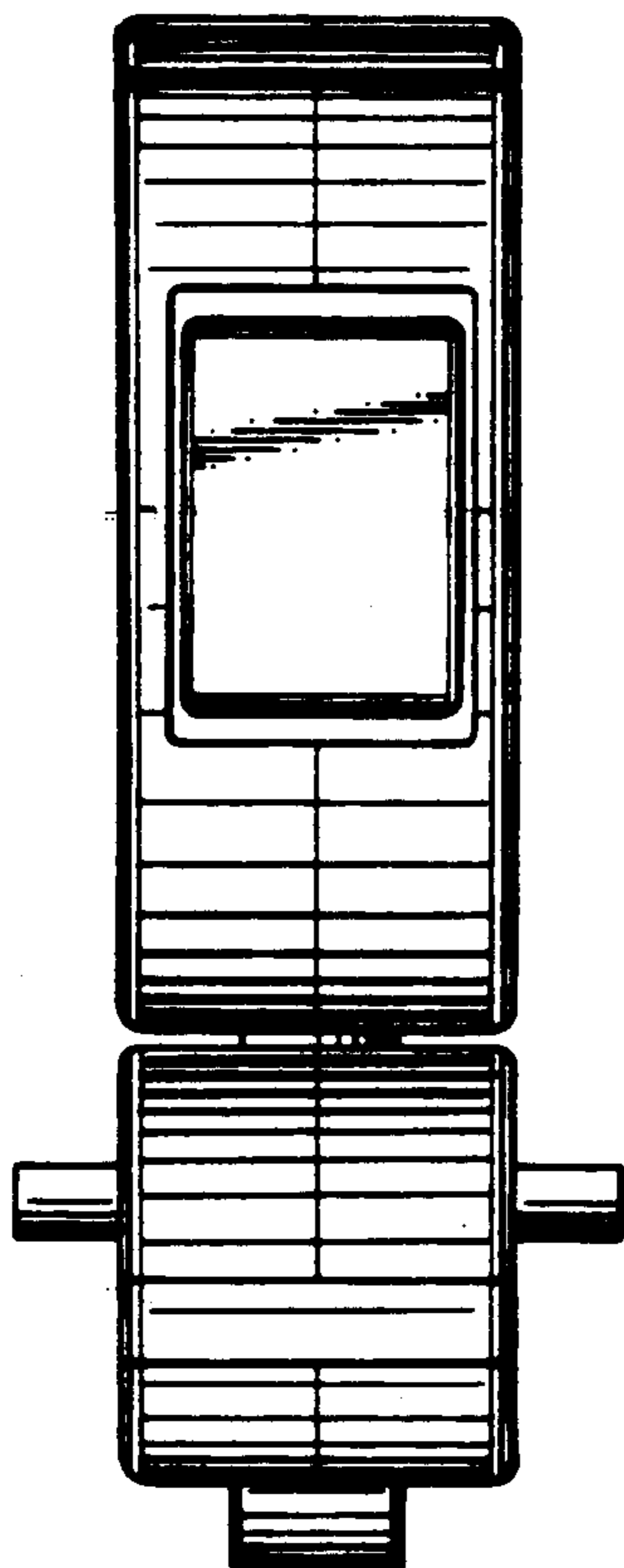


FIG. 6.

