

[54] **JOYSTICK HOUSING**

[76] **Inventors: Donald P. Shulman; Betty A. Shulman**, both of 440 Brentwood Dr., Piscataway, N.J. 08854

[\*\*] **Term: 14 Years**

[21] **Appl. No.: 156,196**

[22] **Filed: Feb. 16, 1988**

[52] **U.S. Cl. .... D21/48**

[58] **Field of Search ..... D13/12, 32; D18/7; D19/59, 60; D21/13, 48; 273/1 E, 1 GE, 1 GC, 85 G, 85 R, 85 CP, 88, 94, 148 B, 237, DIG. 28**

[56] **References Cited**

**U.S. PATENT DOCUMENTS**

D. 289,306 4/1987 Burnstein et al. .... D13/32 X

**OTHER PUBLICATIONS**

Hong Kong Toys, '85, p. 120, Joystick.  
Home Furnishings Daily, 2/15/88, p. 79, Joystick middle of page.

*Primary Examiner*—Terry A. Pfeffer  
*Attorney, Agent, or Firm*—Mathews, Woodbridge & Collins

[57] **CLAIM**

The ornamental design for a joystick housing, as shown and described.

**DESCRIPTION**

FIG. 1 is a perspective view of a joystick housing showing our new design.

FIG. 2 is a top plan view thereof.

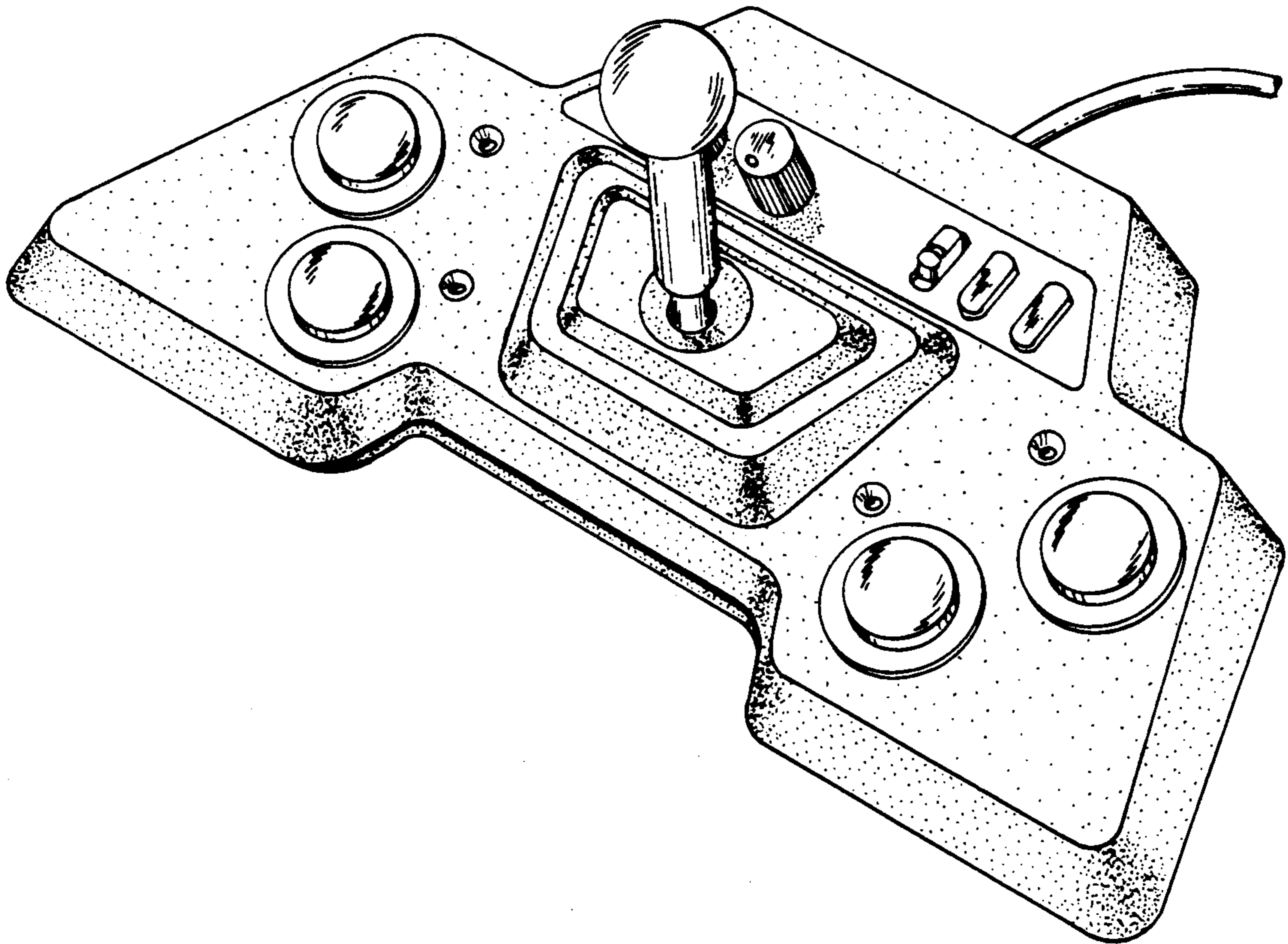
FIG. 3 is a bottom plan view thereof.

FIG. 4 is a front elevational view thereof.

FIG. 5 is a rear elevational view thereof.

FIG. 6 is a left side elevational view thereof.

FIG. 7 is a right side elevational view thereof.



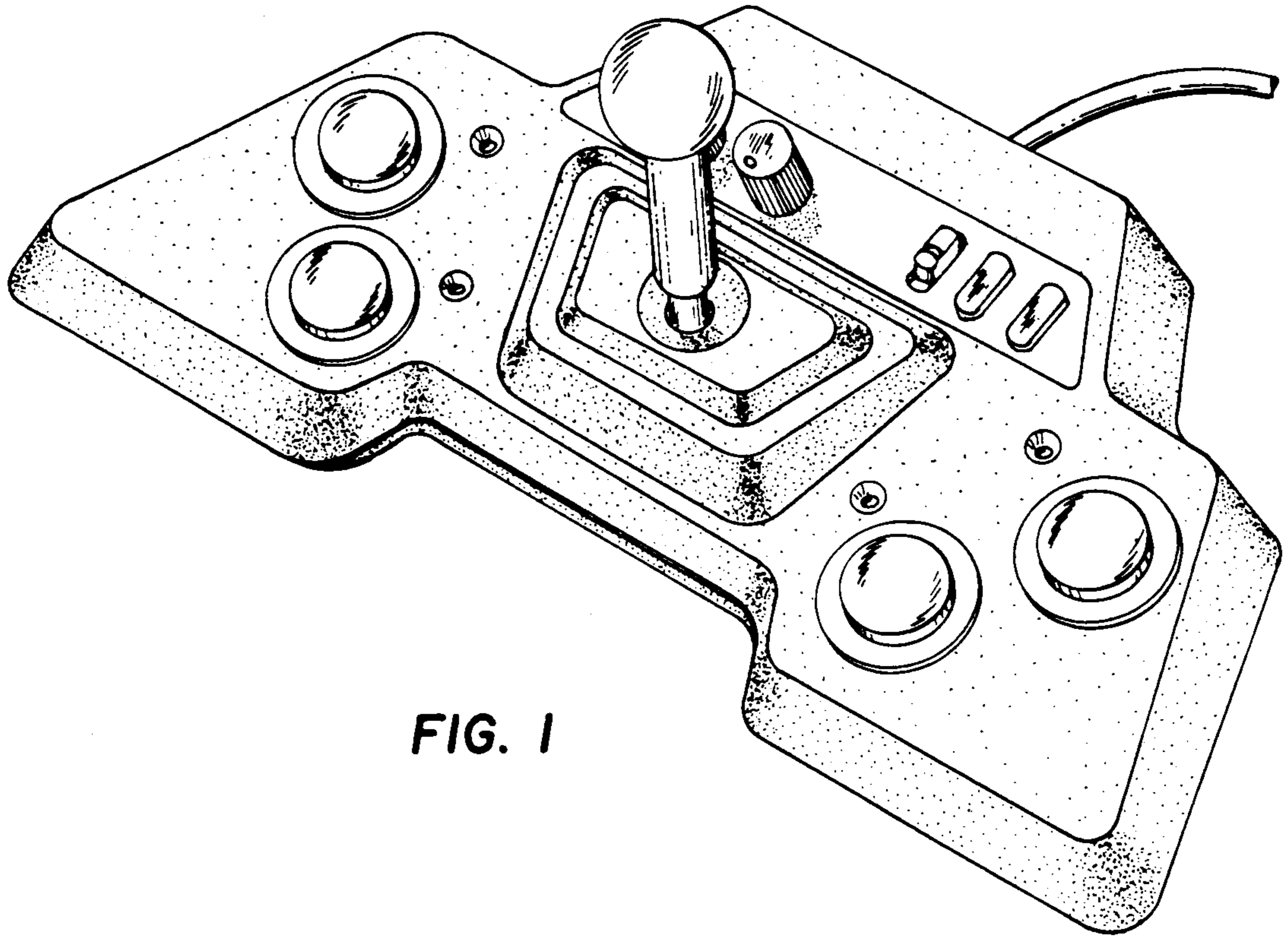


FIG. 1

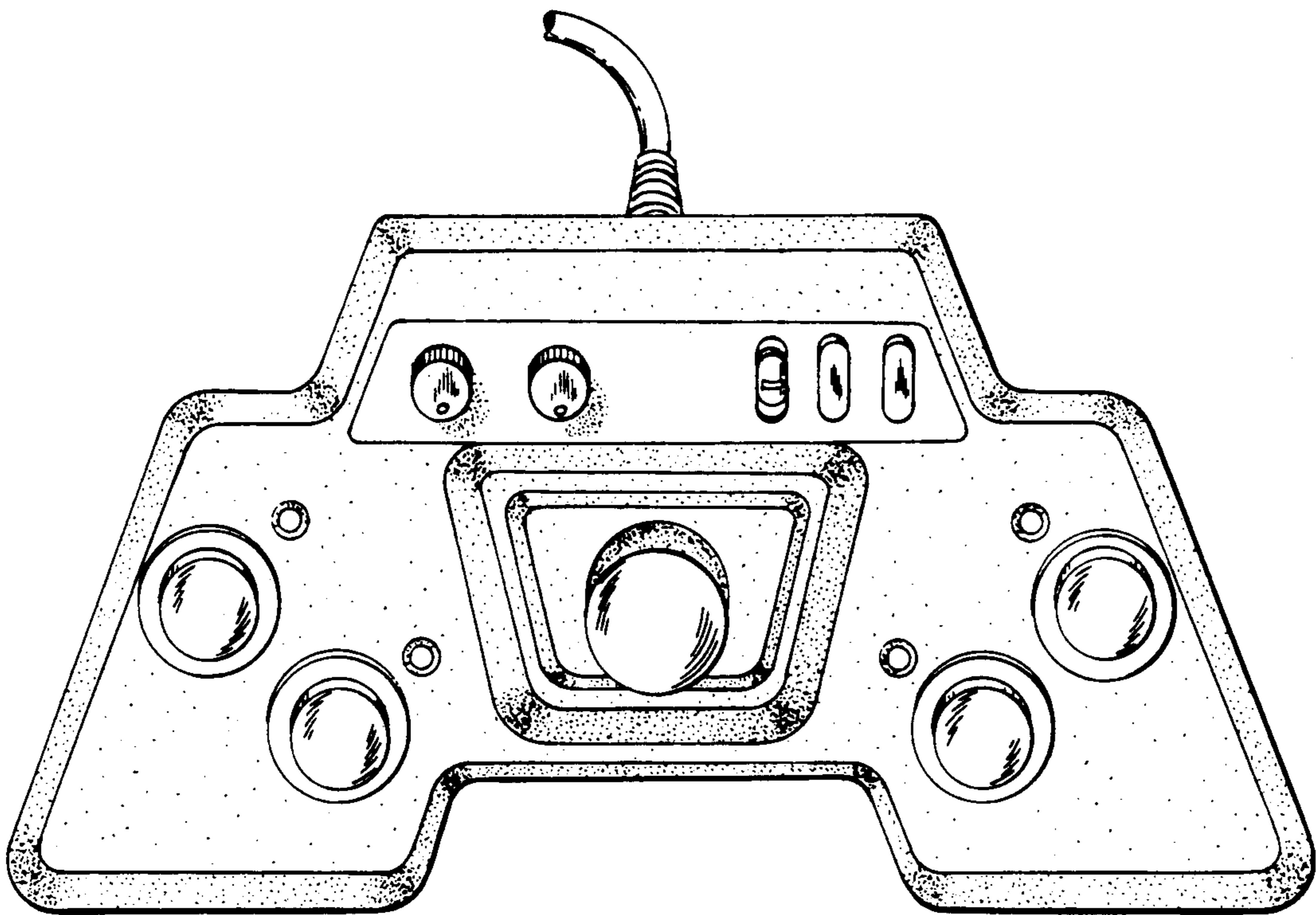


FIG. 2

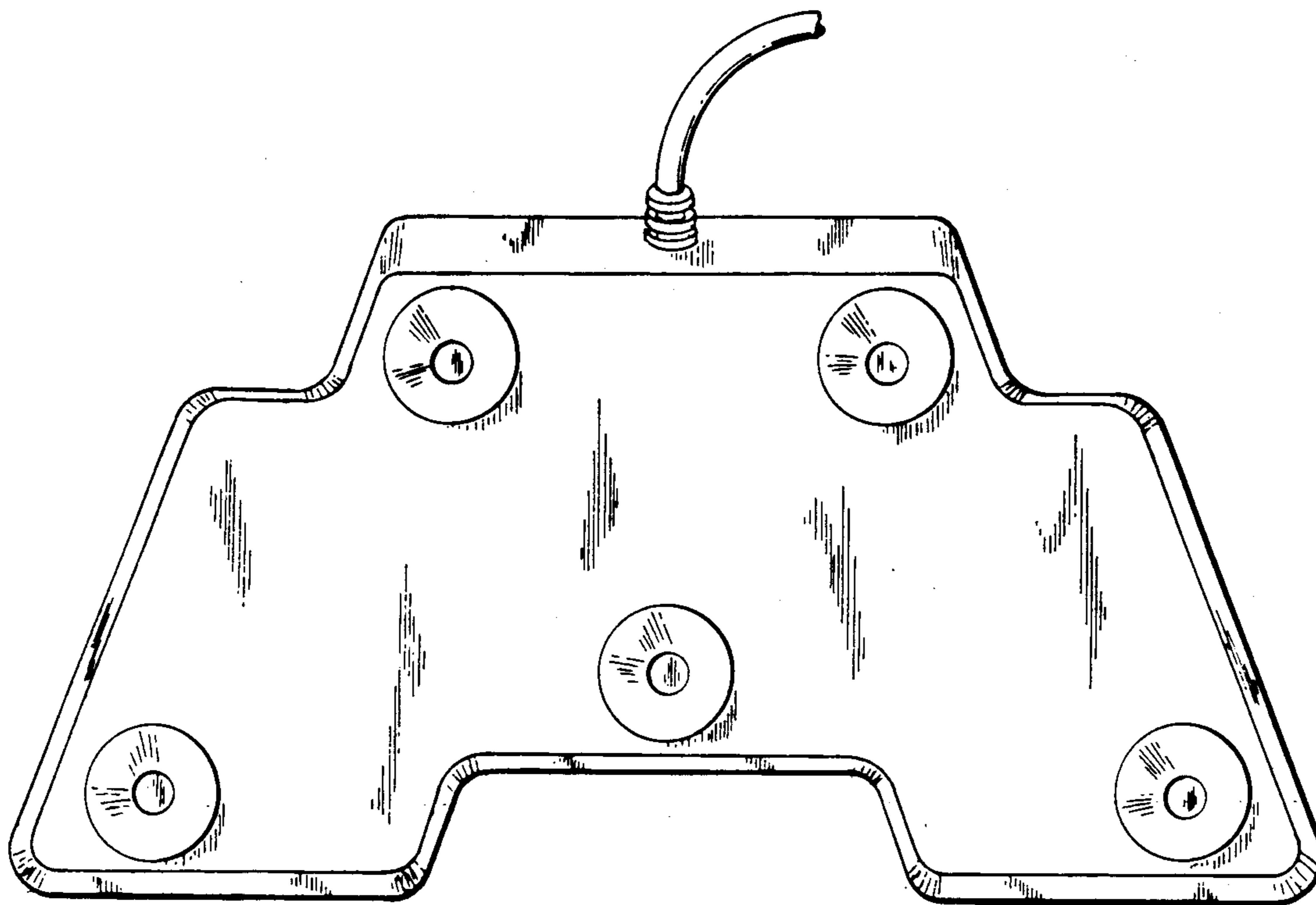


FIG. 3

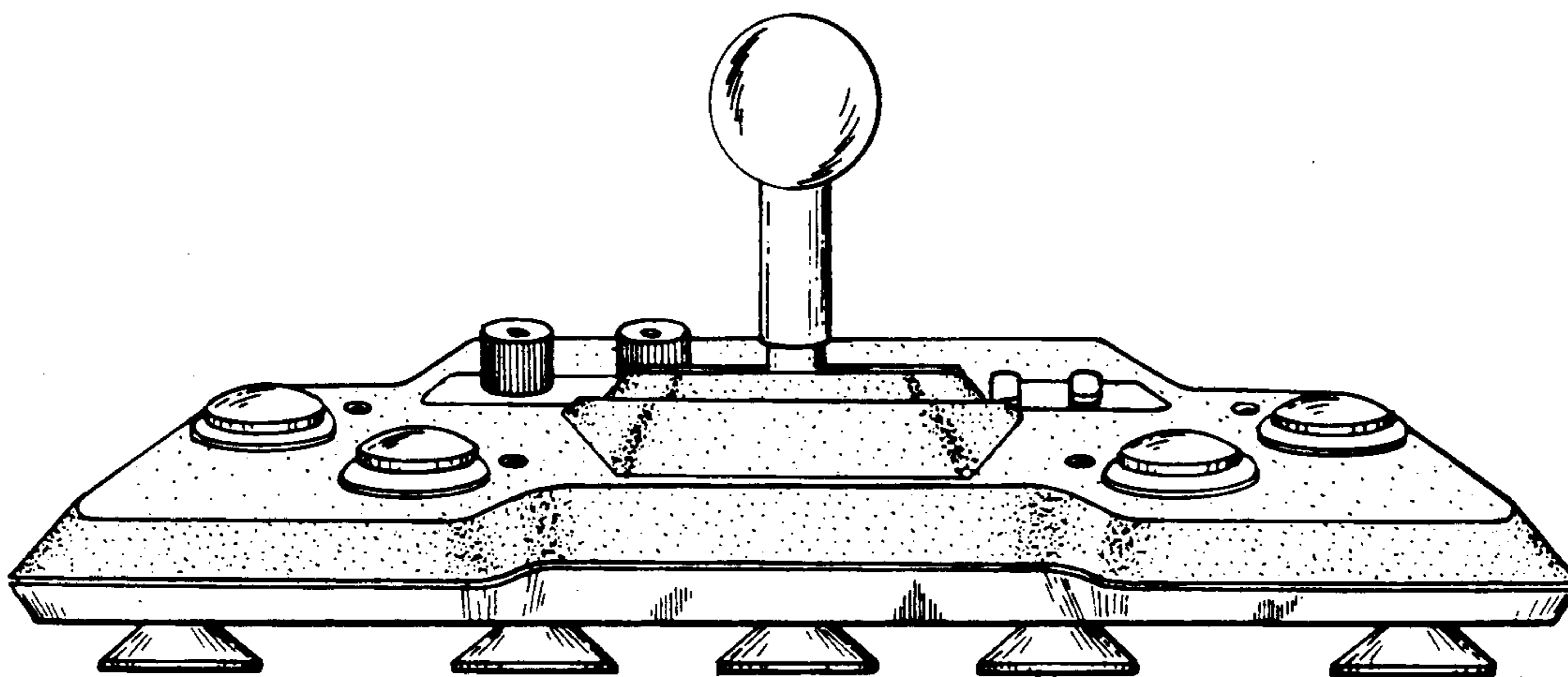


FIG. 4



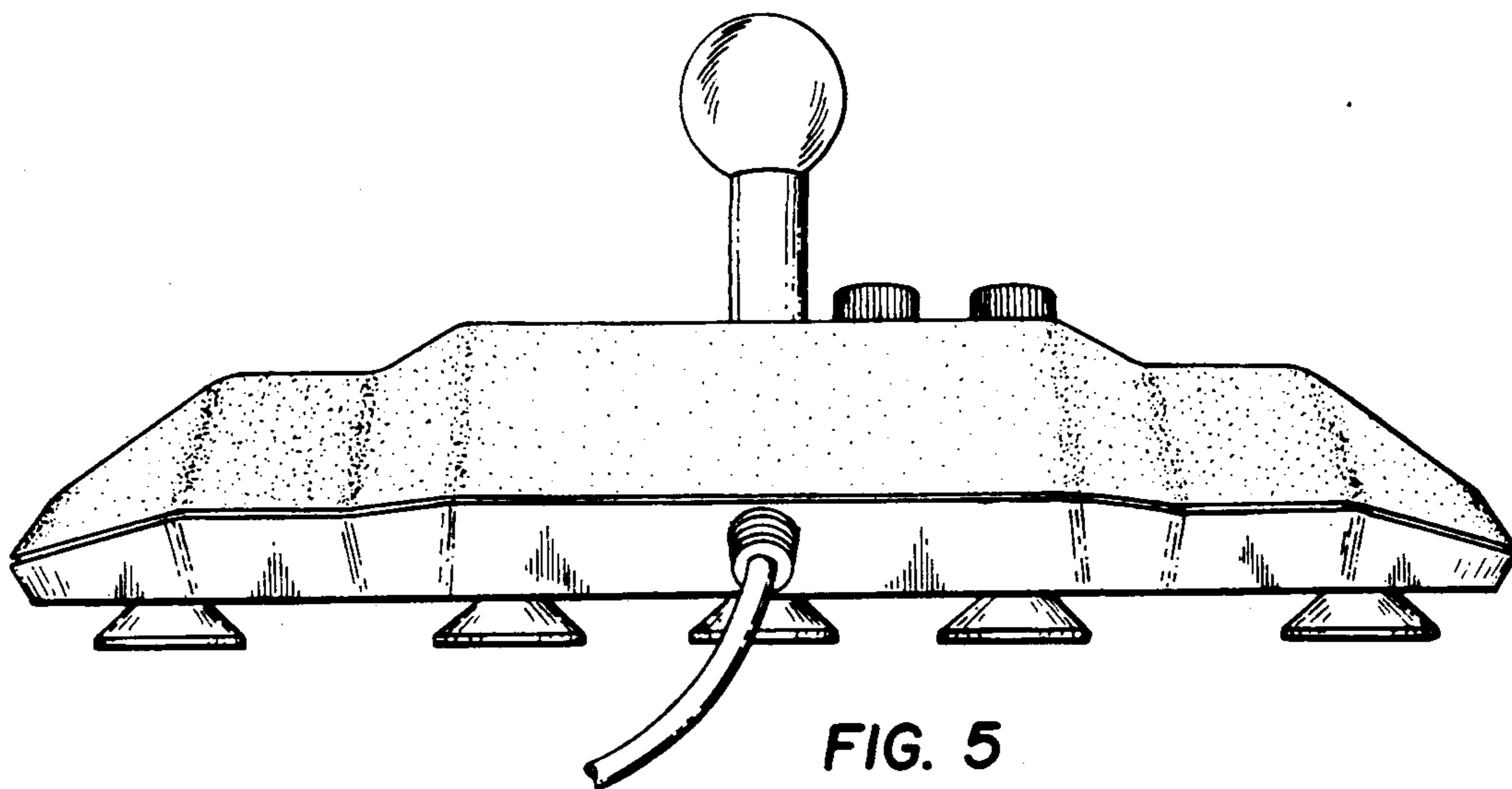


FIG. 5

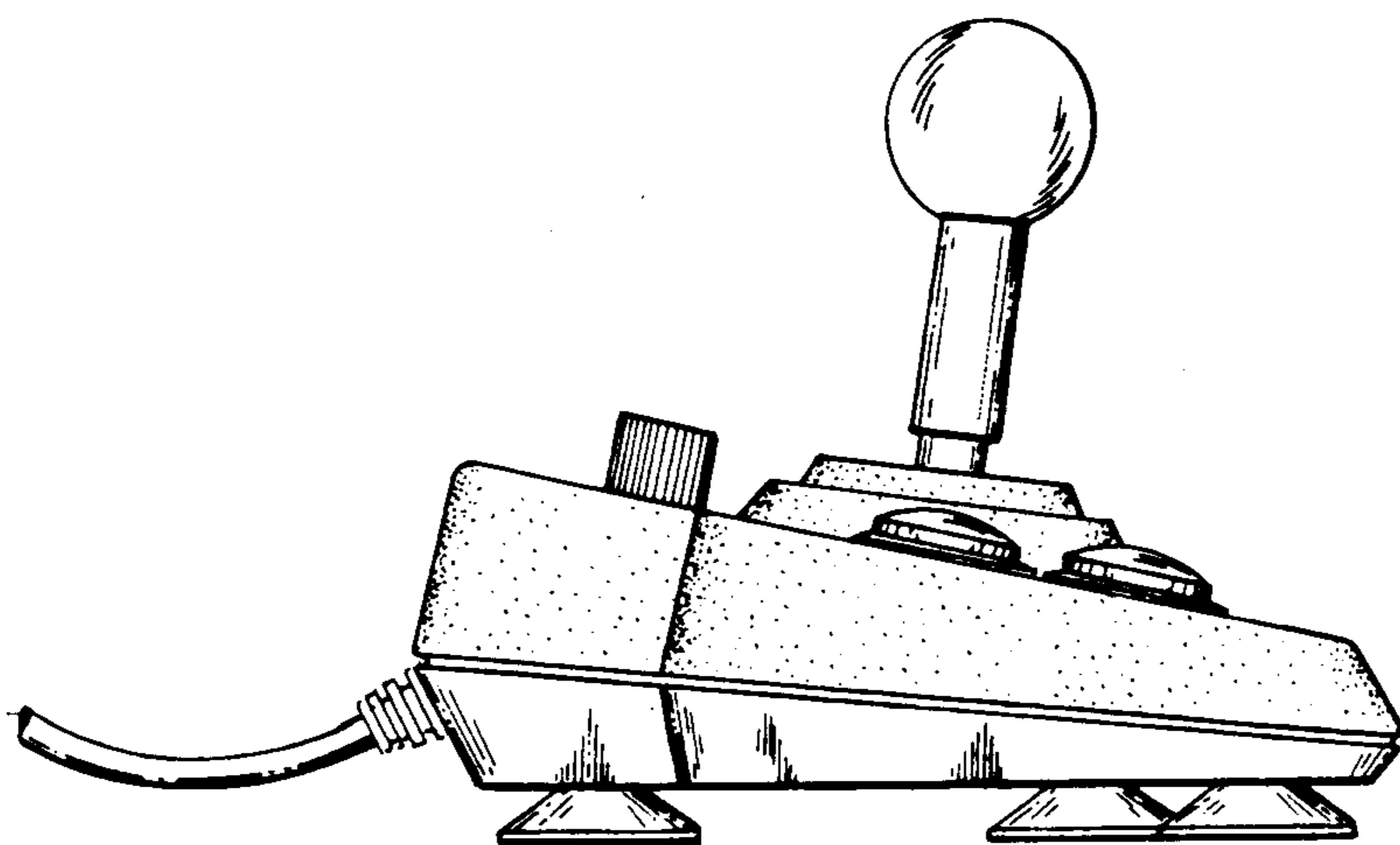


FIG. 6

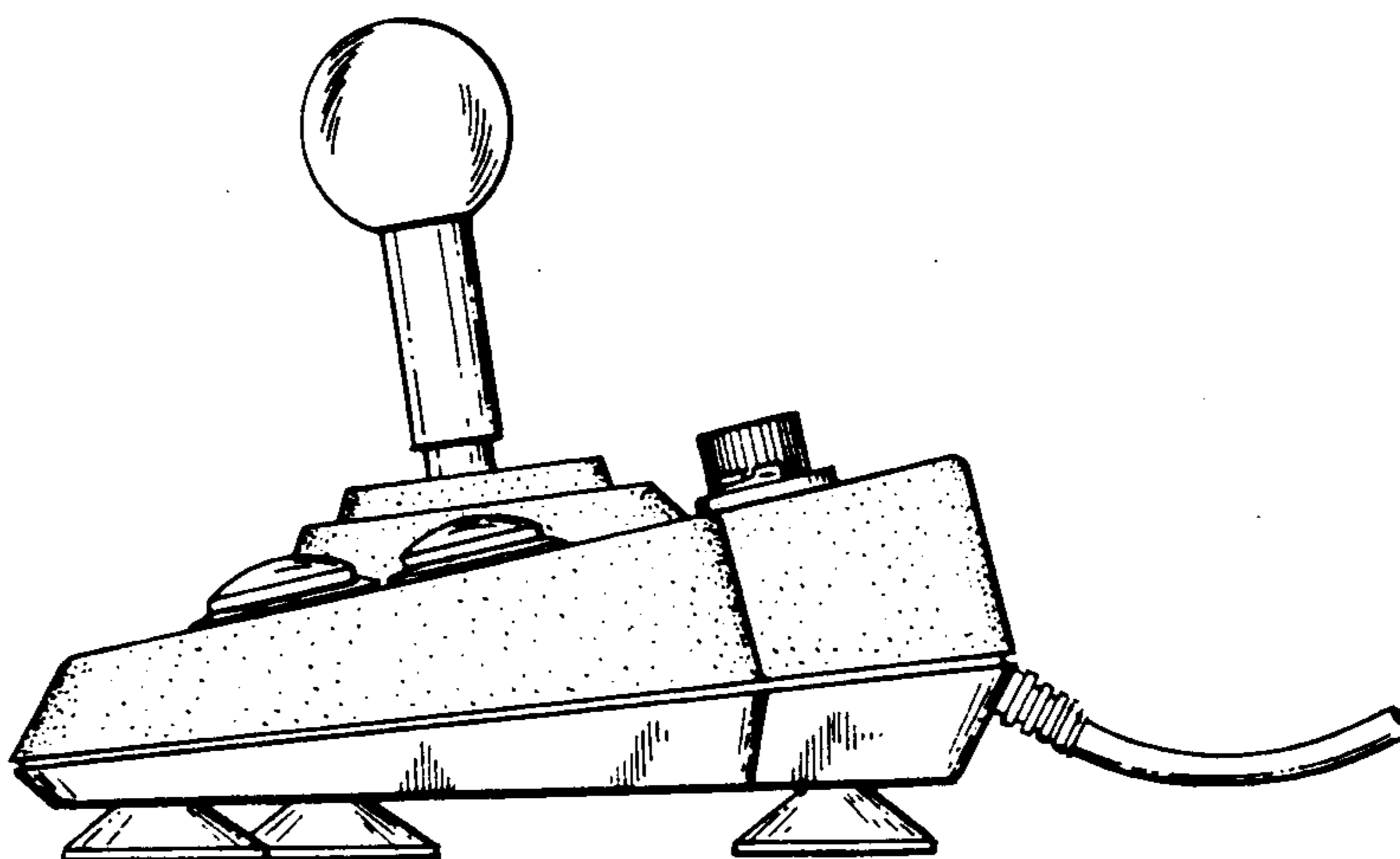


FIG. 7