

[54] **HANGING FILE FOLDER**  
 [75] **Inventors: Kenneth A. Tarlow, Playa del Rey, Calif.; Barbara D. Arner, 1901 Polaris Dr., Glendale, Calif. 91208**  
 [73] **Assignee: Barbara D. Arner, Oxnard, Calif.**  
 [\*\*] **Term: 14 Years**  
 [21] **Appl. No.: 98,128**  
 [22] **Filed: Sep. 18, 1987**  
 [52] **U.S. Cl. .... D19/90; D19/75; D19/86; D19/91**  
 [58] **Field of Search ..... D19/3, 52, 88, 90, 91, D19/92; 229/71, 1.5 R, 161, 68 R; 312/183, 263, 264; 220/82**

2,350,617 6/1944 Johnson ..... 229/71  
 2,974,854 3/1961 Moore ..... 229/161  
 3,017,987 1/1962 Marlo ..... 220/82 X  
 3,863,828 2/1975 King ..... 229/1.5 R  
 3,874,753 4/1975 Naito et al. .... 312/263 X  
 3,885,726 5/1975 Friedlund et al. .... 229/1.5 R  
 4,308,988 1/1982 Jiveman et al. .... 229/71  
 4,477,013 10/1984 Herrin ..... 229/1.5 R  
 4,576,328 3/1986 Snider et al. .... 229/1.5 R  
 4,640,030 2/1987 Wood et al. .... 229/71 X

*Primary Examiner*—Bruce W. Dunkins  
*Assistant Examiner*—Martha Thompson  
*Attorney, Agent, or Firm*—Poms, Smith, Lande & Rose

[57] **CLAIM**

The ornamental design for a hanging file folder, shown and described.

**DESCRIPTION**

FIG. 1 is a front perspective view of a hanging file folder showing my new design, the rear view being a mirror image thereof;  
 FIG. 2 is a bottom plan view;  
 FIG. 3 is a side elevational view, the opposite side being a mirror image thereof; and  
 FIG. 4 is a top plan view thereof.

[56] **References Cited**  
**U.S. PATENT DOCUMENTS**  
 D. 170,254 8/1953 Bookler ..... D19/3  
 D. 201,935 8/1965 Kelley ..... D19/86  
 650,699 5/1900 Williams ..... 312/264  
 1,917,980 7/1933 Kelsey ..... 312/183  
 2,291,724 8/1942 Jonas ..... 129/16  
 2,333,798 11/1943 Kner ..... 229/68 R

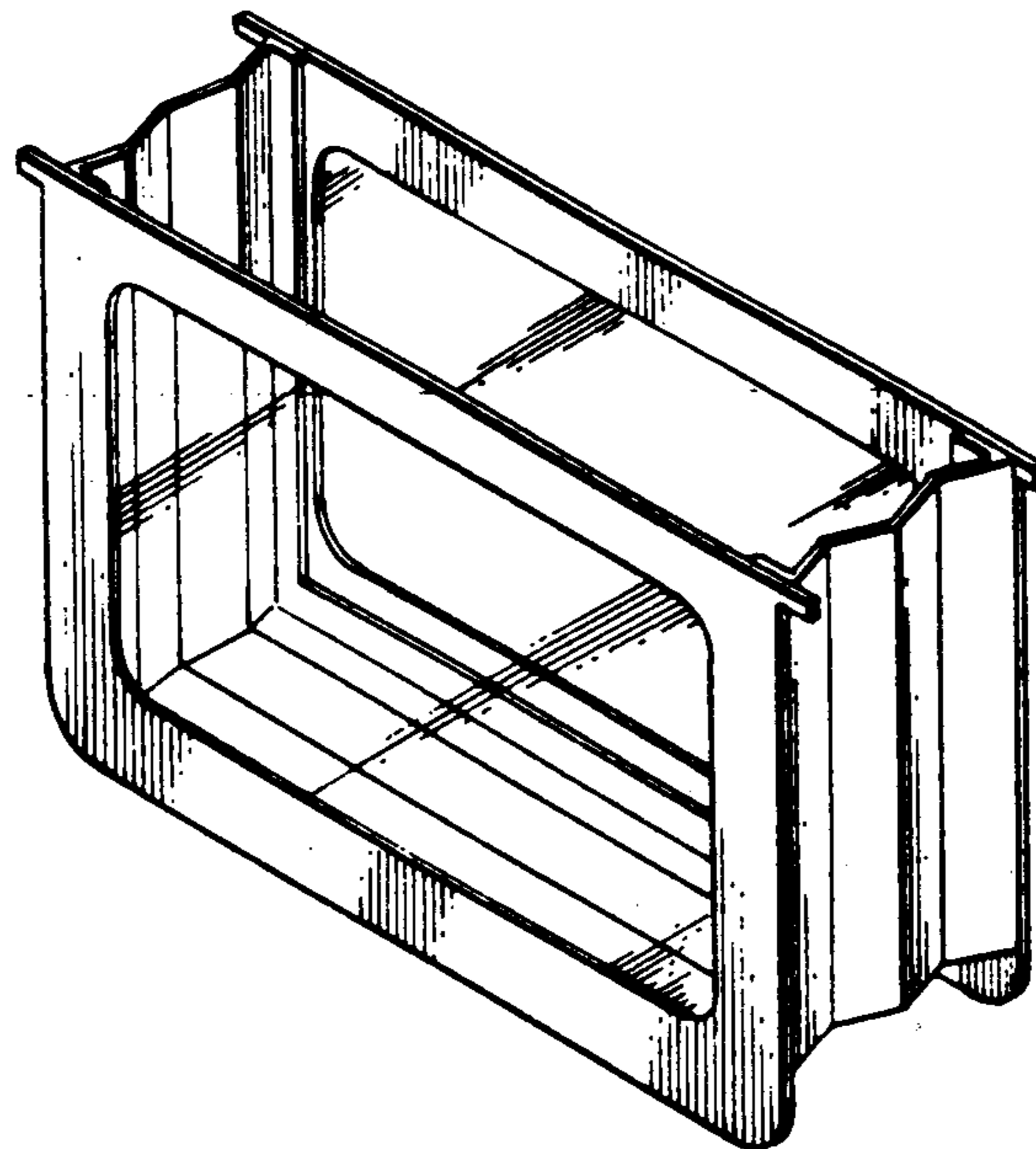


FIG. 1.

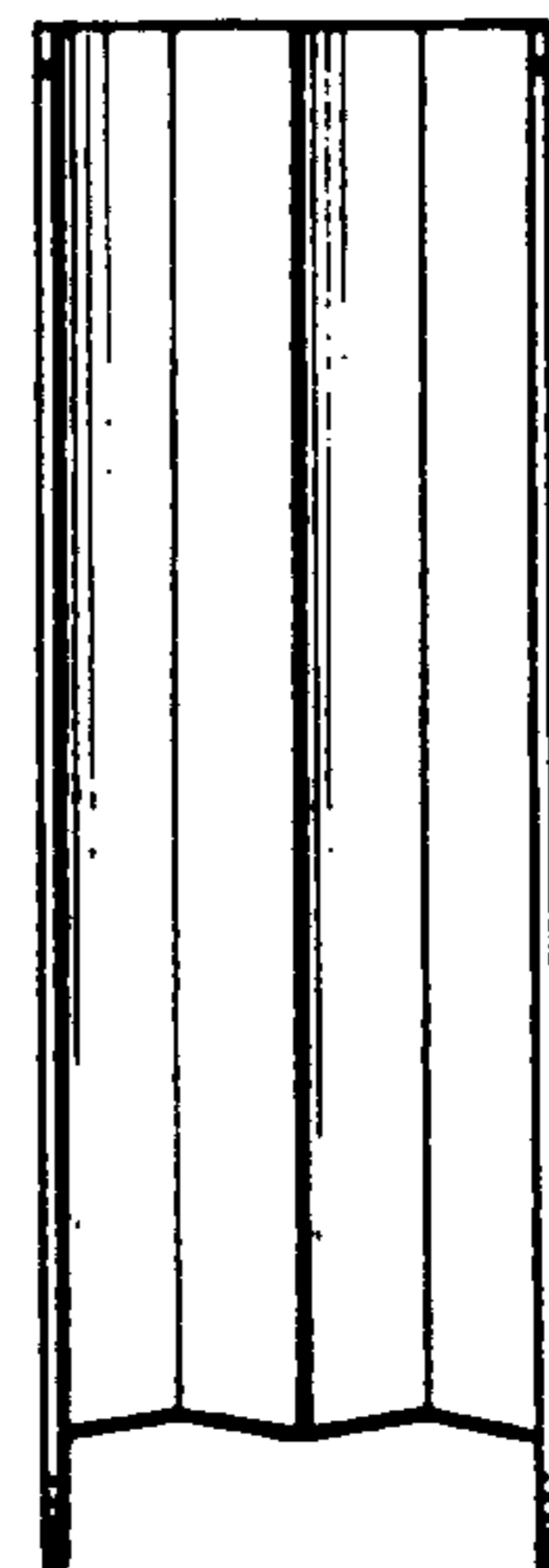
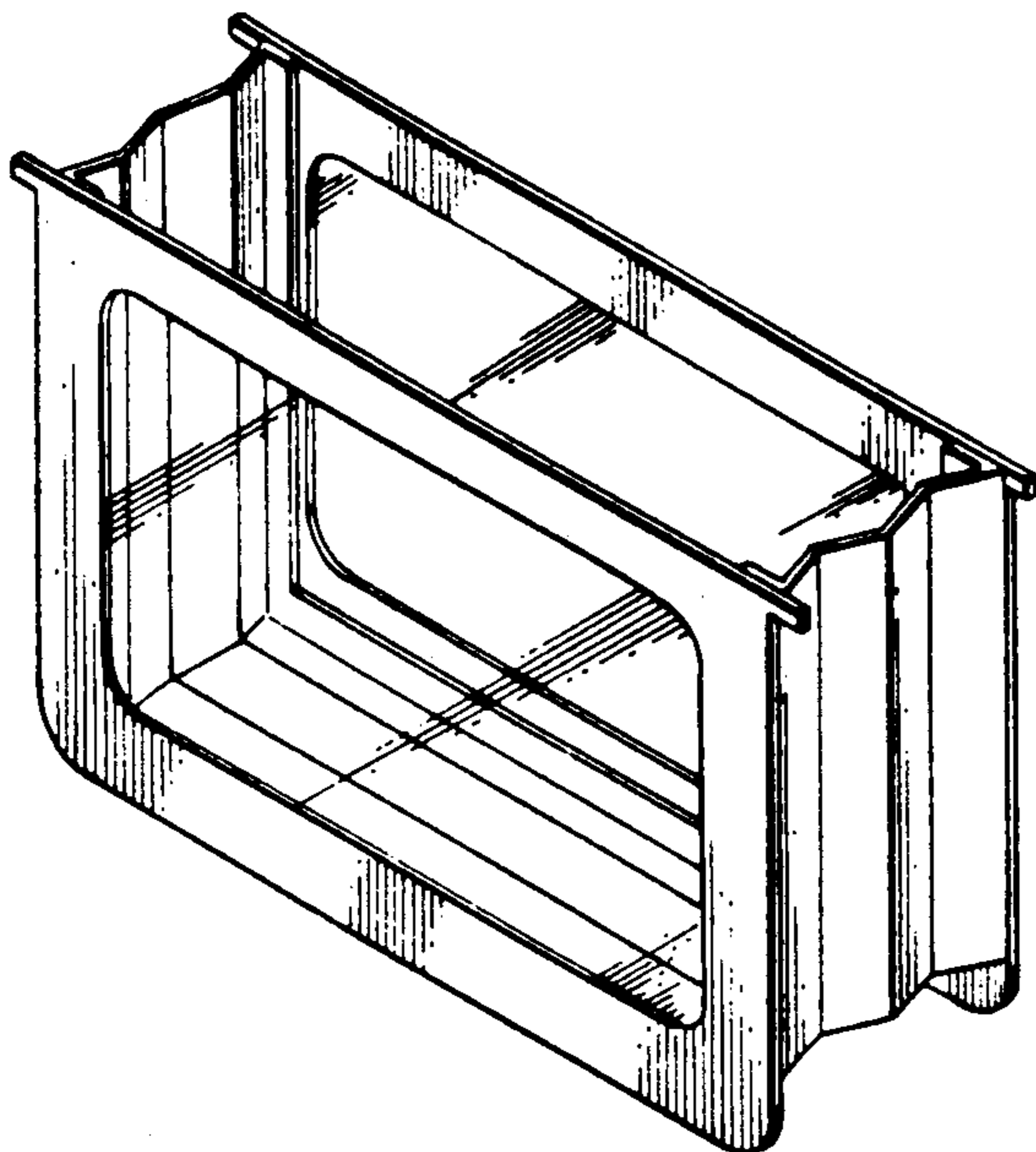


FIG. 3.

FIG. 2.

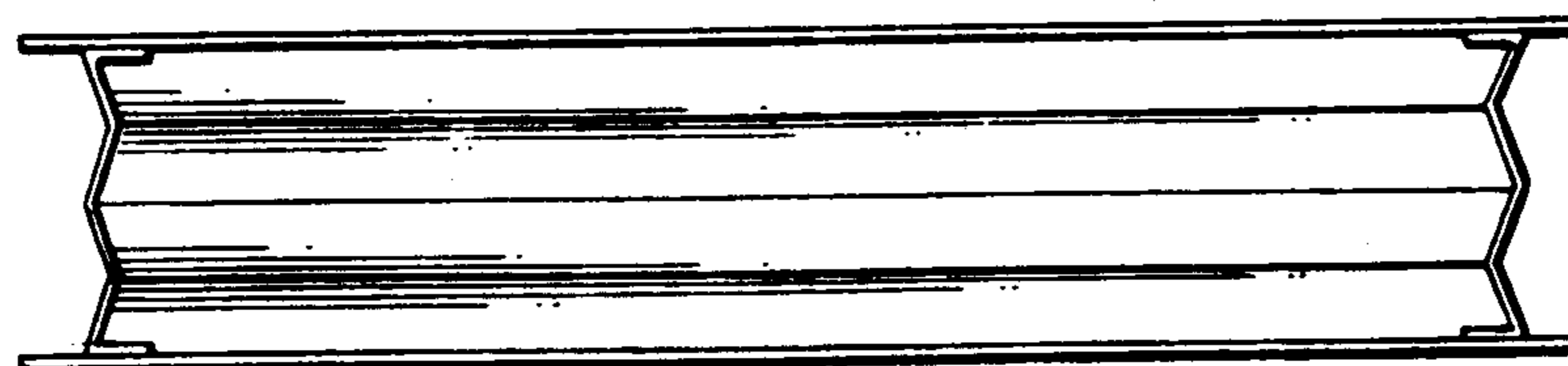
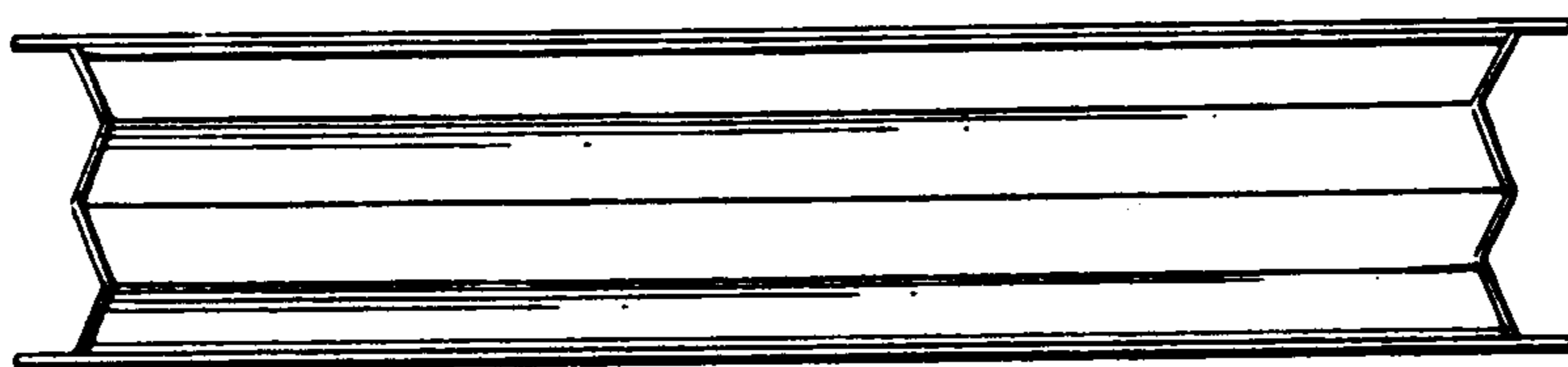


FIG. 4.