

[54] **OPERATOR CAB FOR AN AGRICULTURAL MACHINE WITH MOUNTING WINGS THEREFOR**

[56] **References Cited**
U.S. PATENT DOCUMENTS

D. 273,494 4/1984 Hurlburt et al. .

[75] **Inventors: Geert R. Boddin, Zedelgem; Jean-Pierre Vandendriessche, Denderleeuw; Daniel C. Witdoek, Hooglede, all of Belgium**

OTHER PUBLICATIONS

John Deere Model 1085 Combine Brochure published in 1984.

Primary Examiner—B. J. Bullock
Assistant Examiner—Sandra Morris
Attorney, Agent, or Firm—Larry W. Miller; Frank A. Seemar; Darrell F. Marquette

[73] **Assignee: Ford New Holland, Inc., New Holland, Pa.**

[57] **CLAIM**

[**] **Term: 14 Years**

The ornamental design for an operator cab for an agricultural machine with mounting wings therefor, as shown and described.

[21] **Appl. No.: 168,346**

DESCRIPTION

[22] **Filed: Mar. 14, 1988**

FIG. 1 is a left front perspective view of the operator cab for an agricultural machine with mounting wings therefor, showing our new design;

[30] **Foreign Application Priority Data**

Sep. 15, 1987 [GB] United Kingdom 1004894

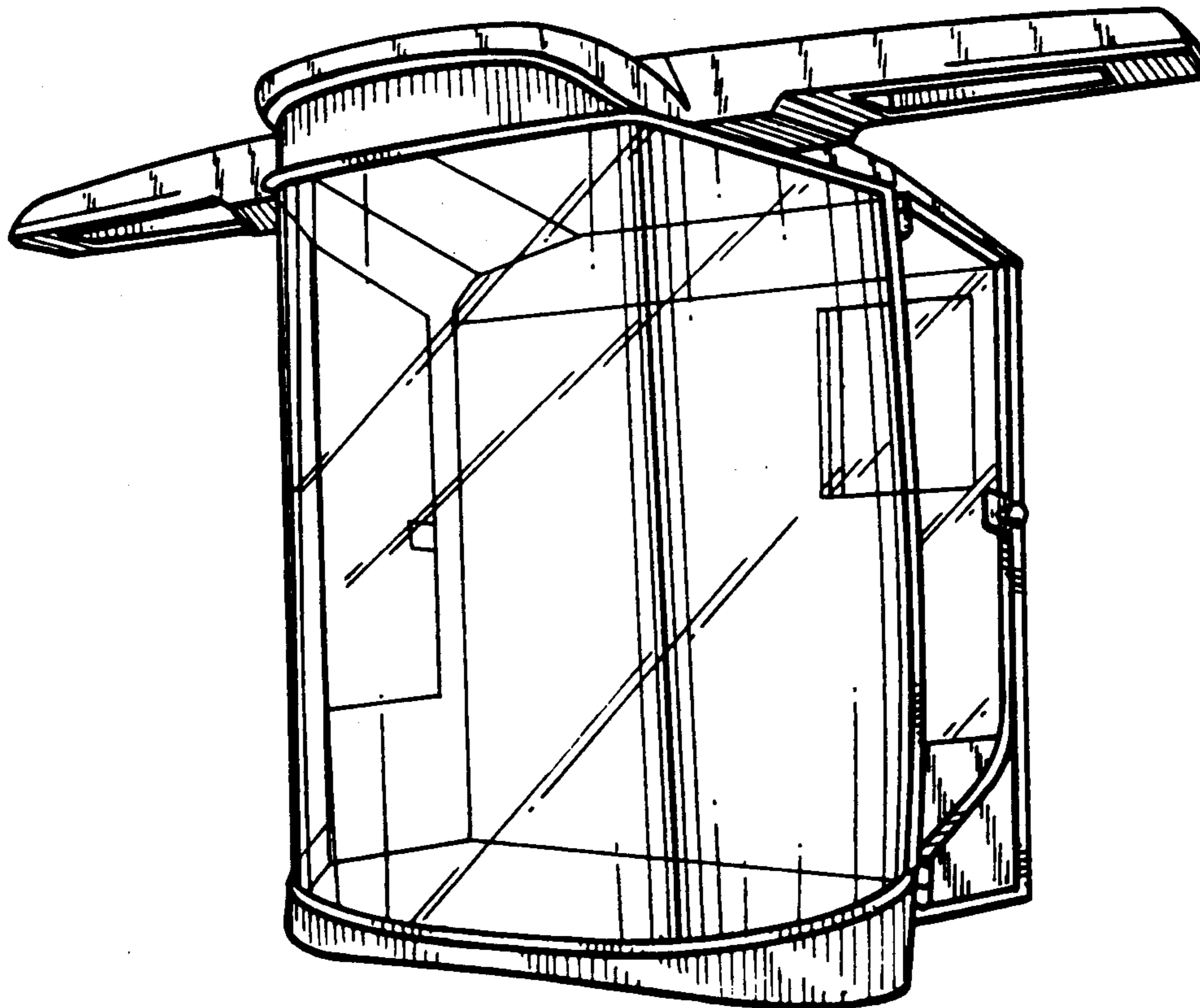
[52] **U.S. Cl. D15/30**

FIG. 2 is a front elevational view thereof, the broken lines showing rear view mirrors and lights are for illustrative purposes only and form no part of the claimed design;

[58] **Field of Search D15/10, 22, 28, 30;**

180/89.12, 89.13, 89.19; 296/190, 202

FIG. 3 is a front right perspective thereof; and FIG. 4 is a right rear perspective view thereof.



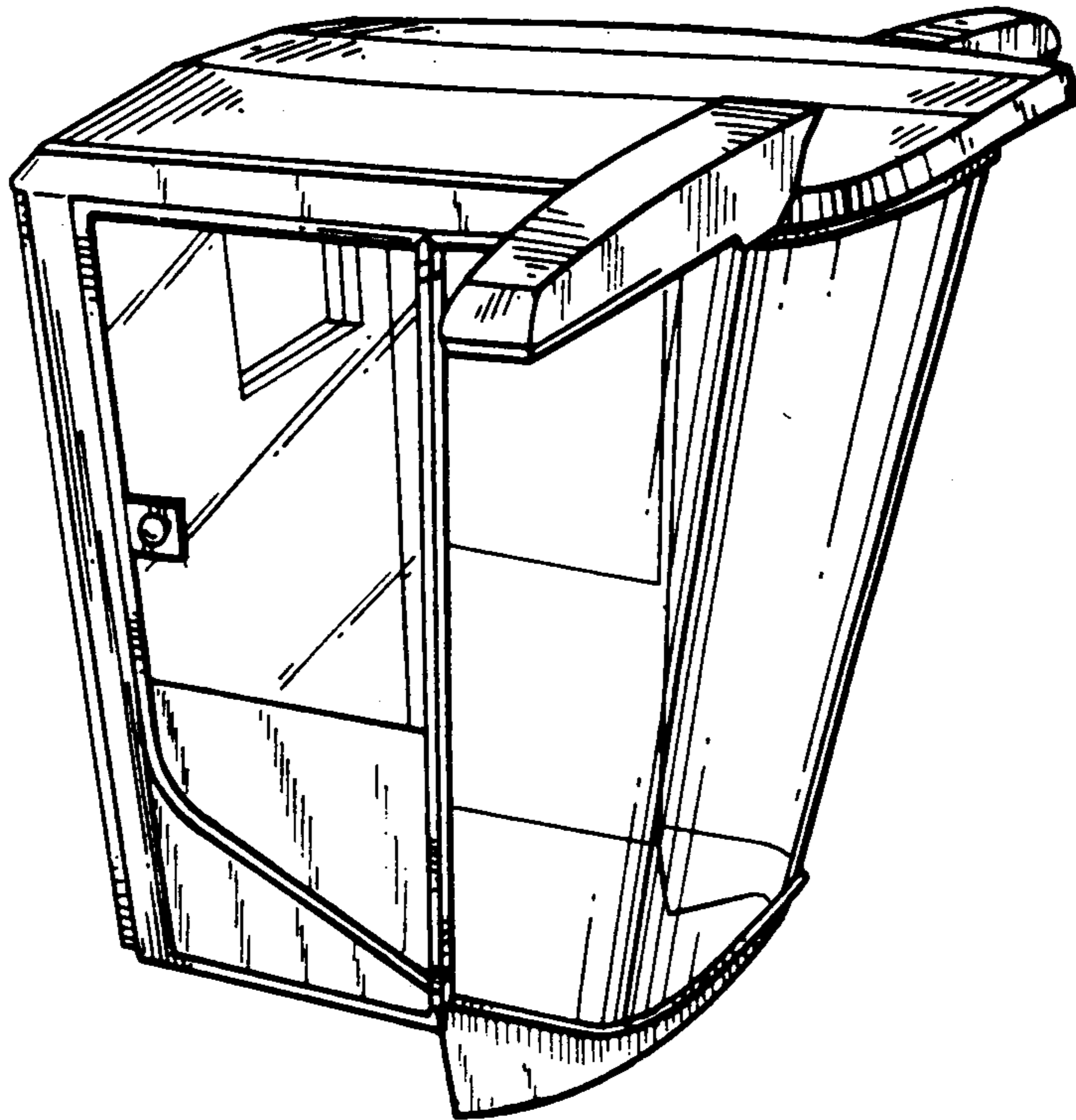


Fig. 1

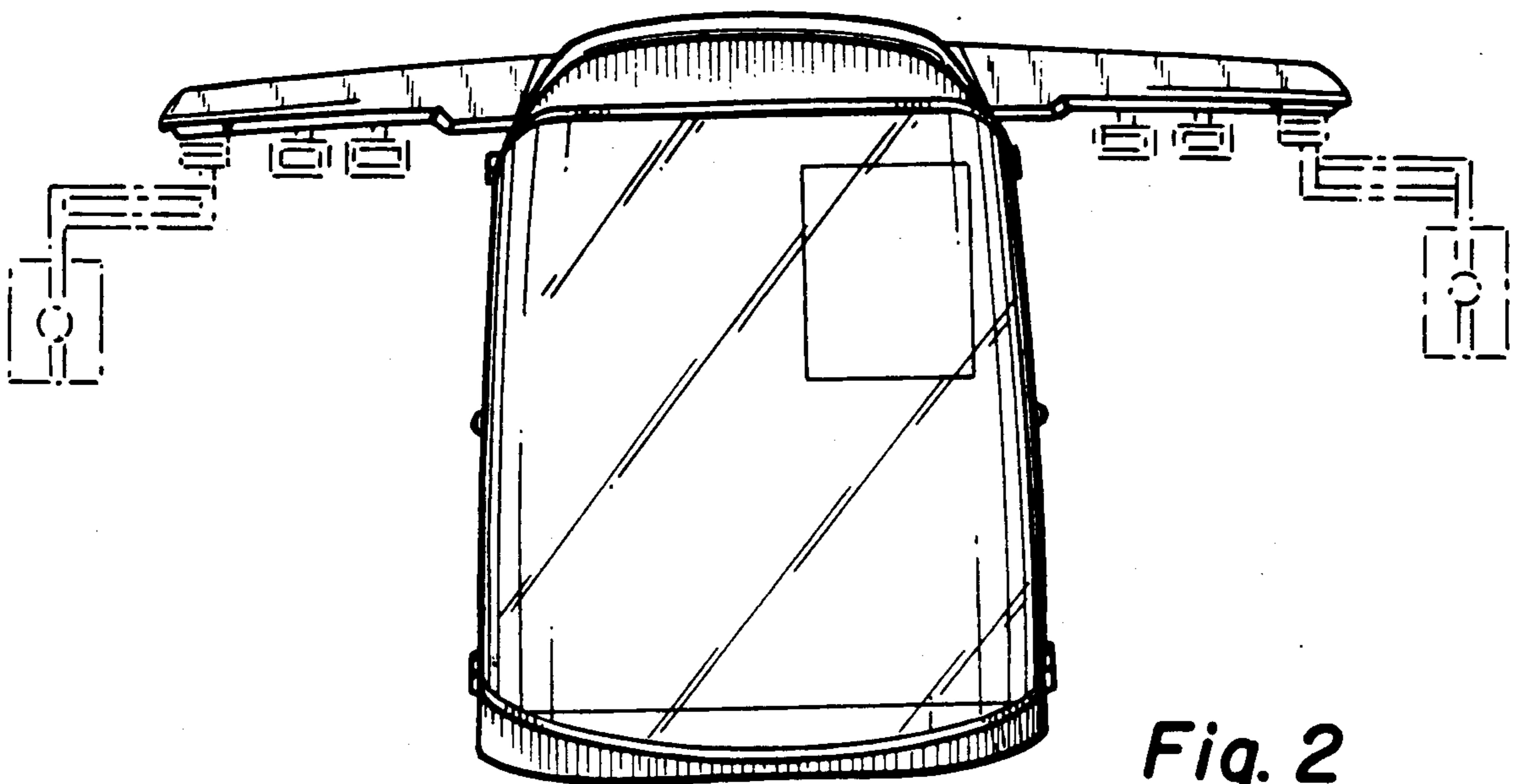


Fig. 2

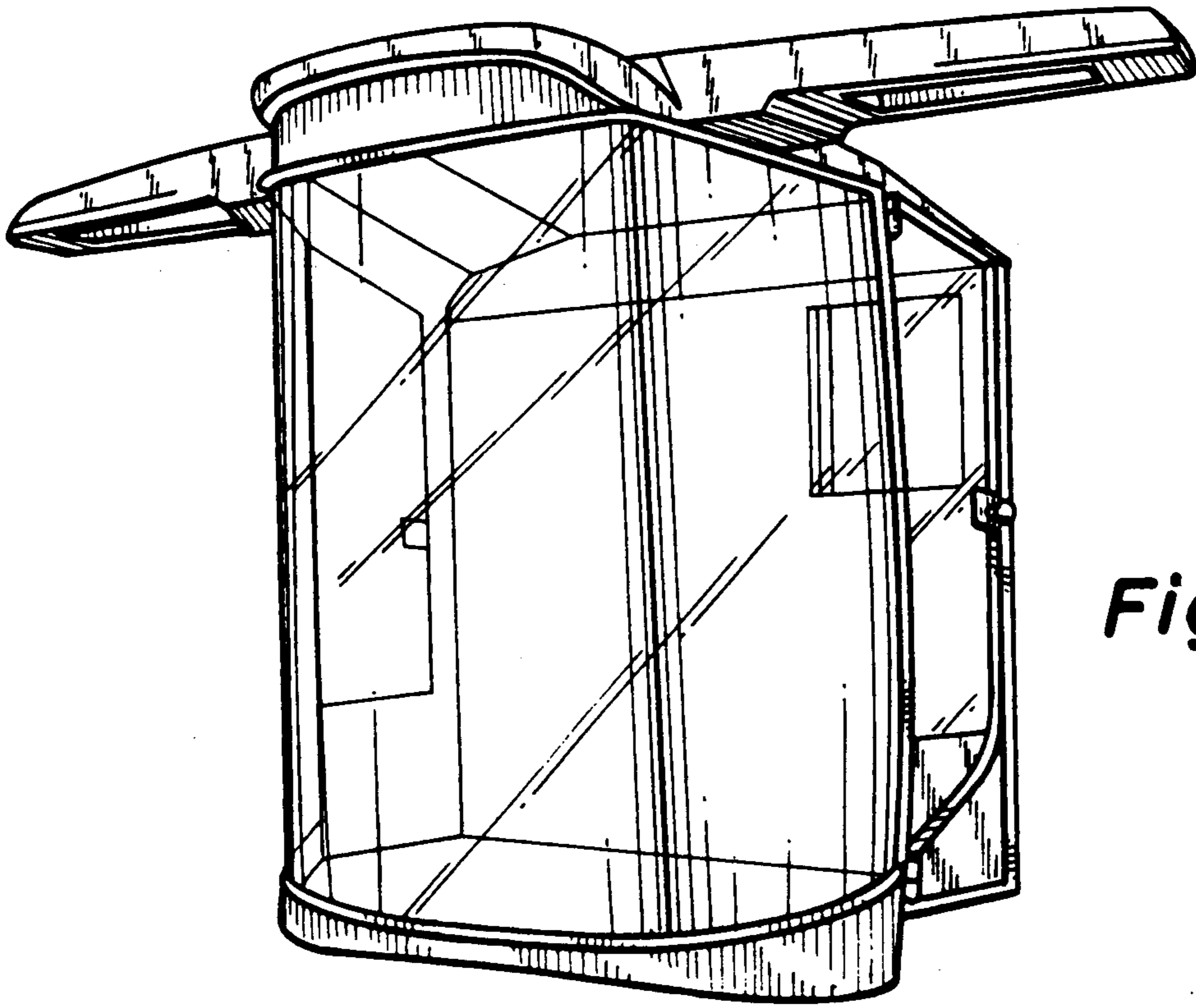


Fig. 3

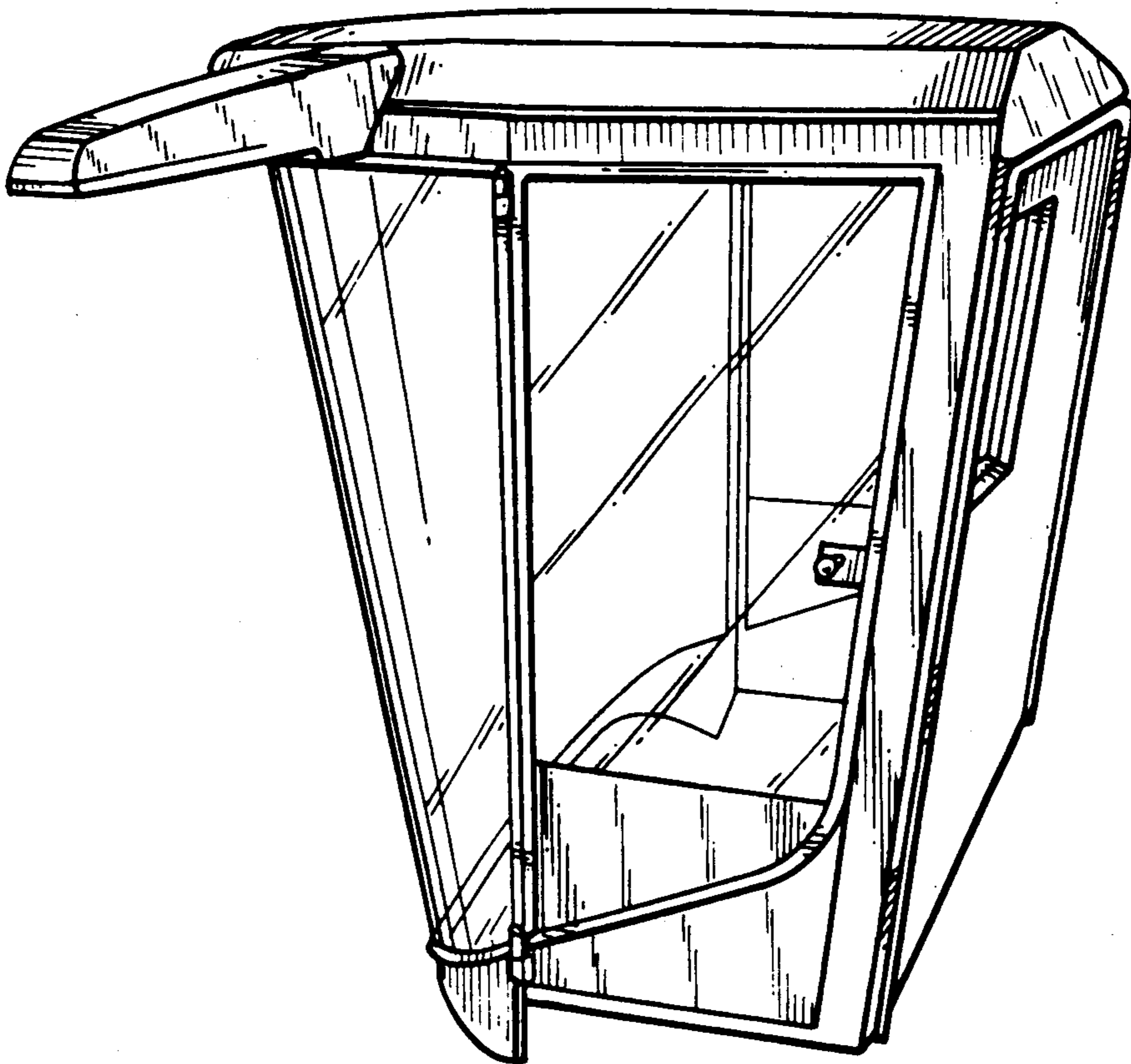


Fig. 4