

[54] MAIN CIRCUIT BREAKER

[75] Inventors: Jeffrey O. Sharp, Lexington, Ky.; Edward P. Dessert, Lincoln, Nebr.; Michael R. Harris, Winchester, Ky.

[73] Assignee: Square D Company, Palatine, Ill.

[**] Term: 14 Years

[21] Appl. No.: 384,934

[22] Filed: Jul. 19, 1989

[52] U.S. Cl. D13/160

[58] Field of Search D13/158, 160, 169; 335/8, 9, 10, 17, 44, 132, 202; 200/293, 294, 303, 308, 309

[56] References Cited

U.S. PATENT DOCUMENTS

D. 221,953	9/1971	Zecca	D13/160
D. 246,851	1/1978	Tarchalski et al.	D13/160
2,922,004	1/1960	Miller et al.	335/43 X
3,098,902	7/1963	Meyer	200/308 X

OTHER PUBLICATIONS

Breaker on p. 3 of FPE Catalog, 9-63. Federal Pacific 2 Pole Main Breaker on p. 94 of Bennett Brass and Copper Catalog, 1987.

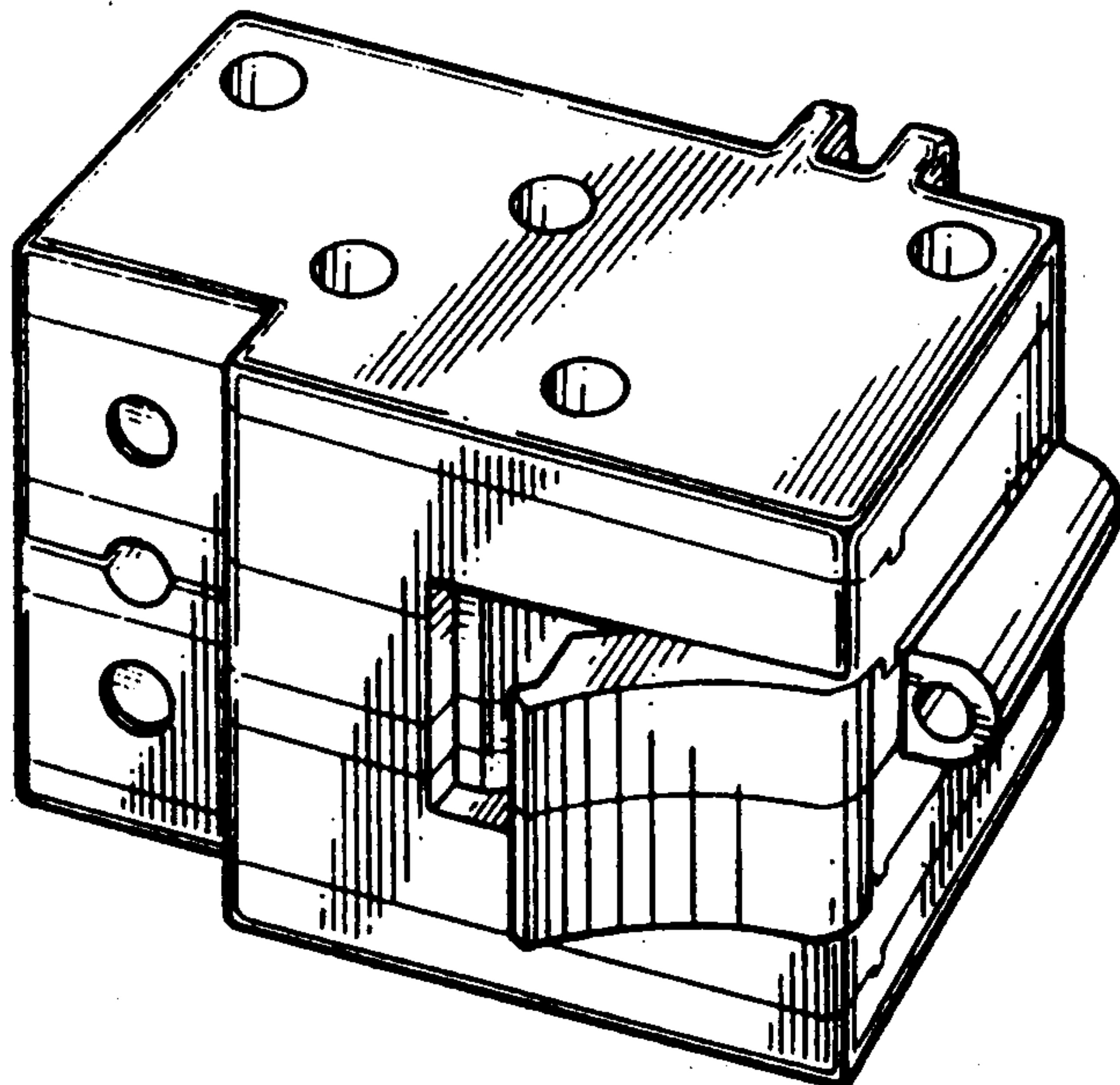
Primary Examiner—Susan J. Lucas
Assistant Examiner—Joel Sincavage
Attorney, Agent, or Firm—Jose W. Jimenez; Thomas K. Stine

[57] CLAIM

The ornamental design for a main circuit breaker, as shown and described.

DESCRIPTION

FIG. 1 is a perspective view of a main circuit breaker showing our new design; FIG. 2 is a top plan view thereof; FIG. 3 is a bottom plan view thereof; FIG. 4 is a rear elevational view thereof; FIG. 5 is a right end elevational view thereof; FIG. 6 is a front elevational view thereof; FIG. 7 is a left end elevational view thereof.



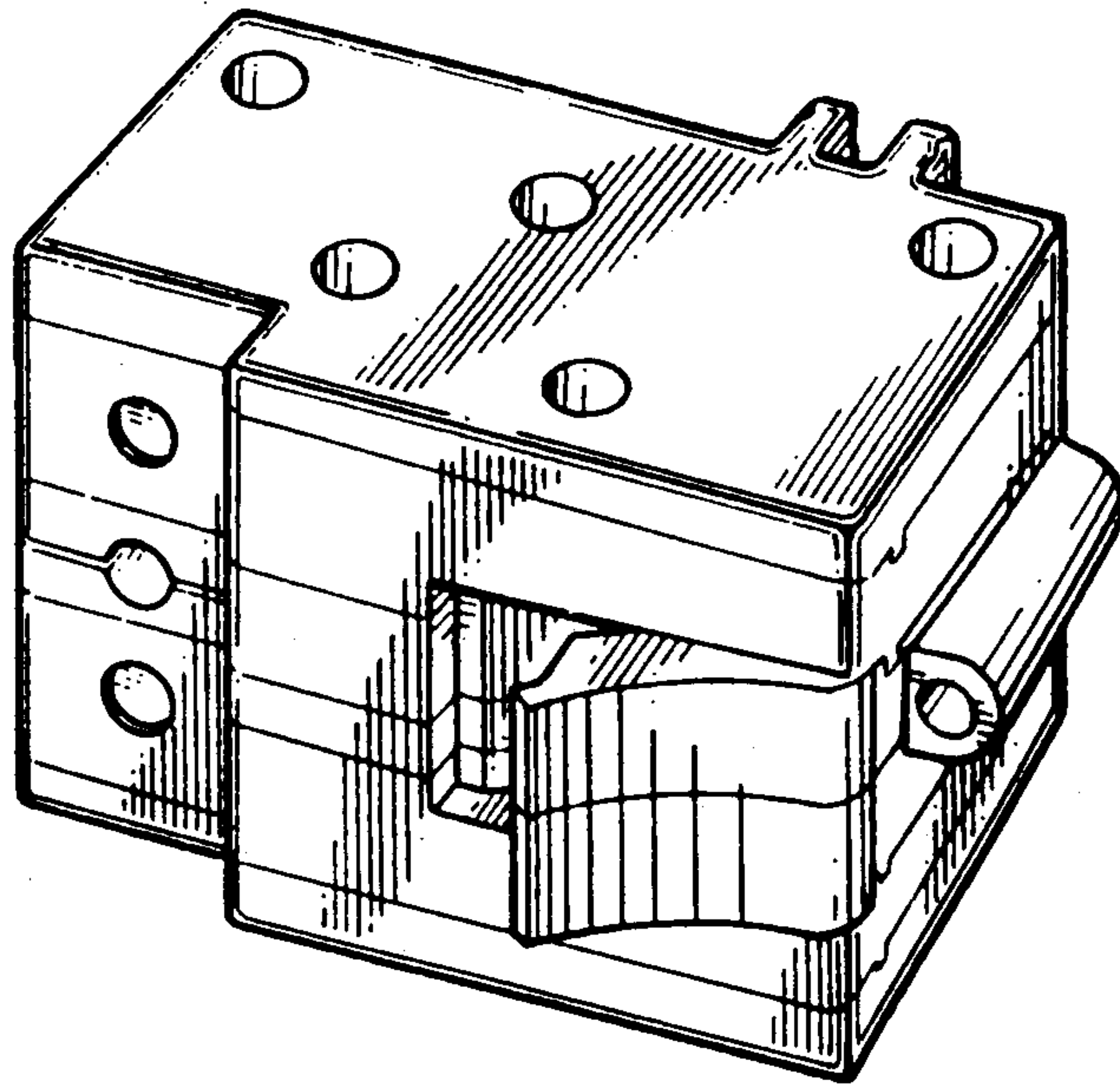


FIG. 1

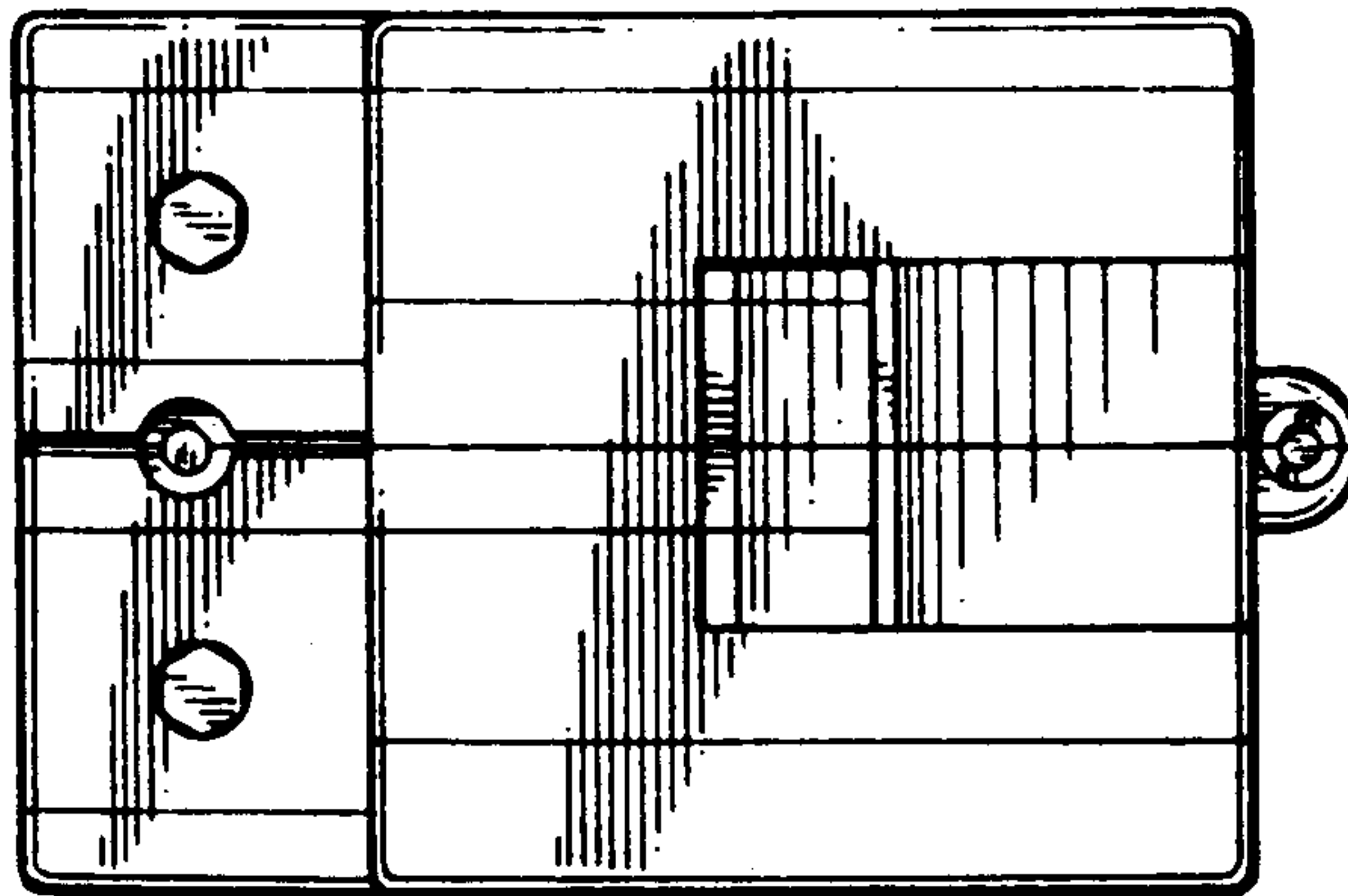


FIG. 2

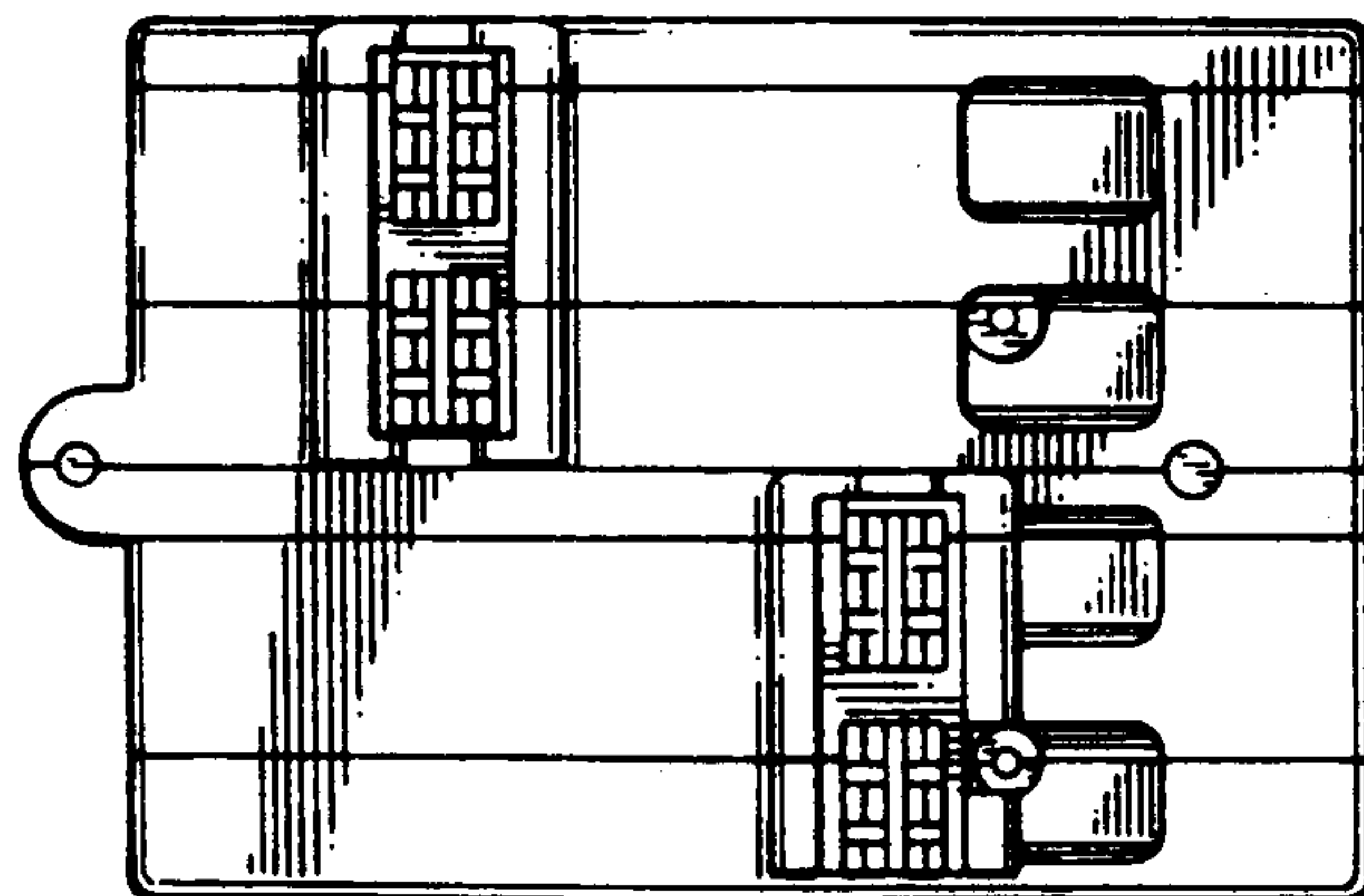


FIG. 3

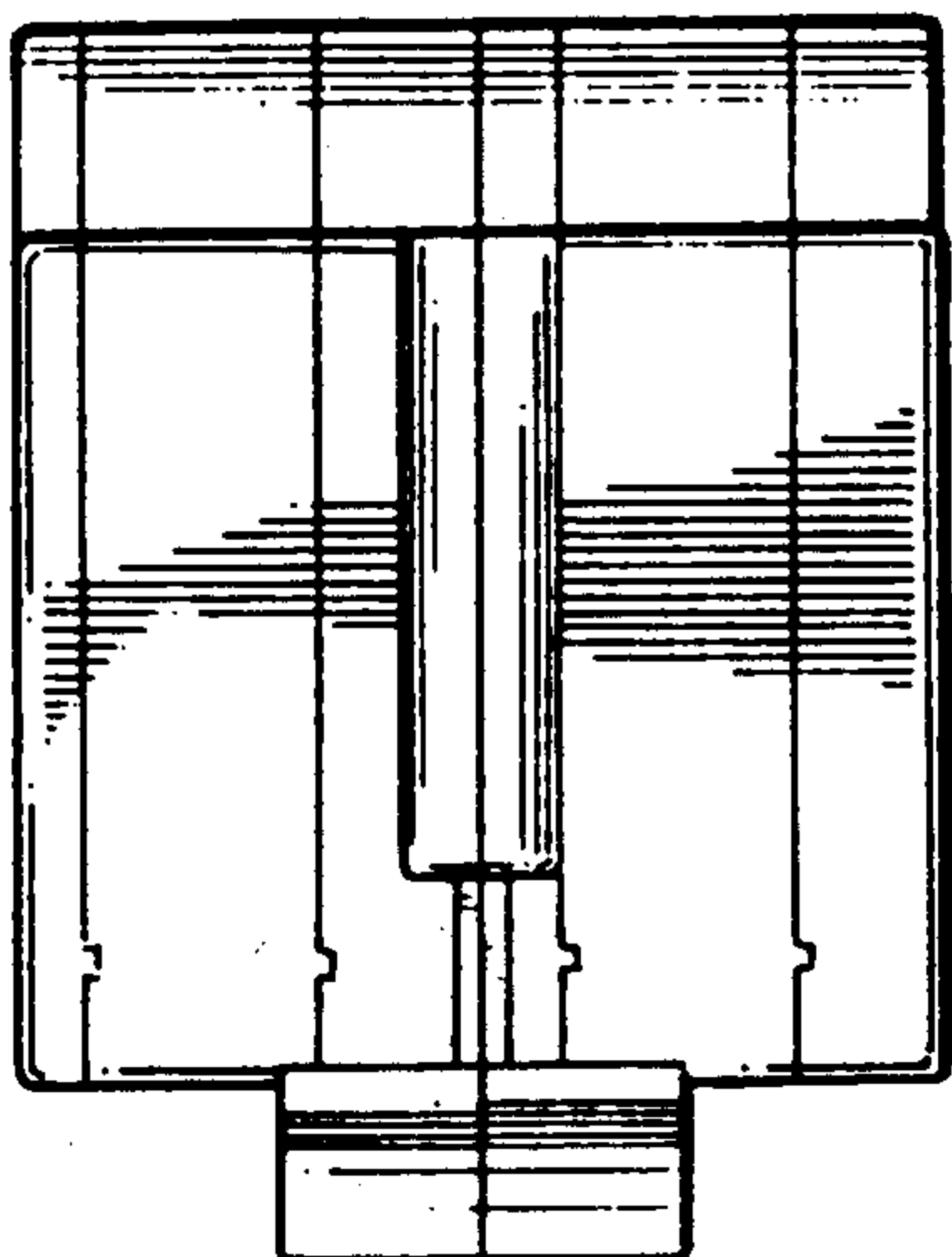


FIG. 5

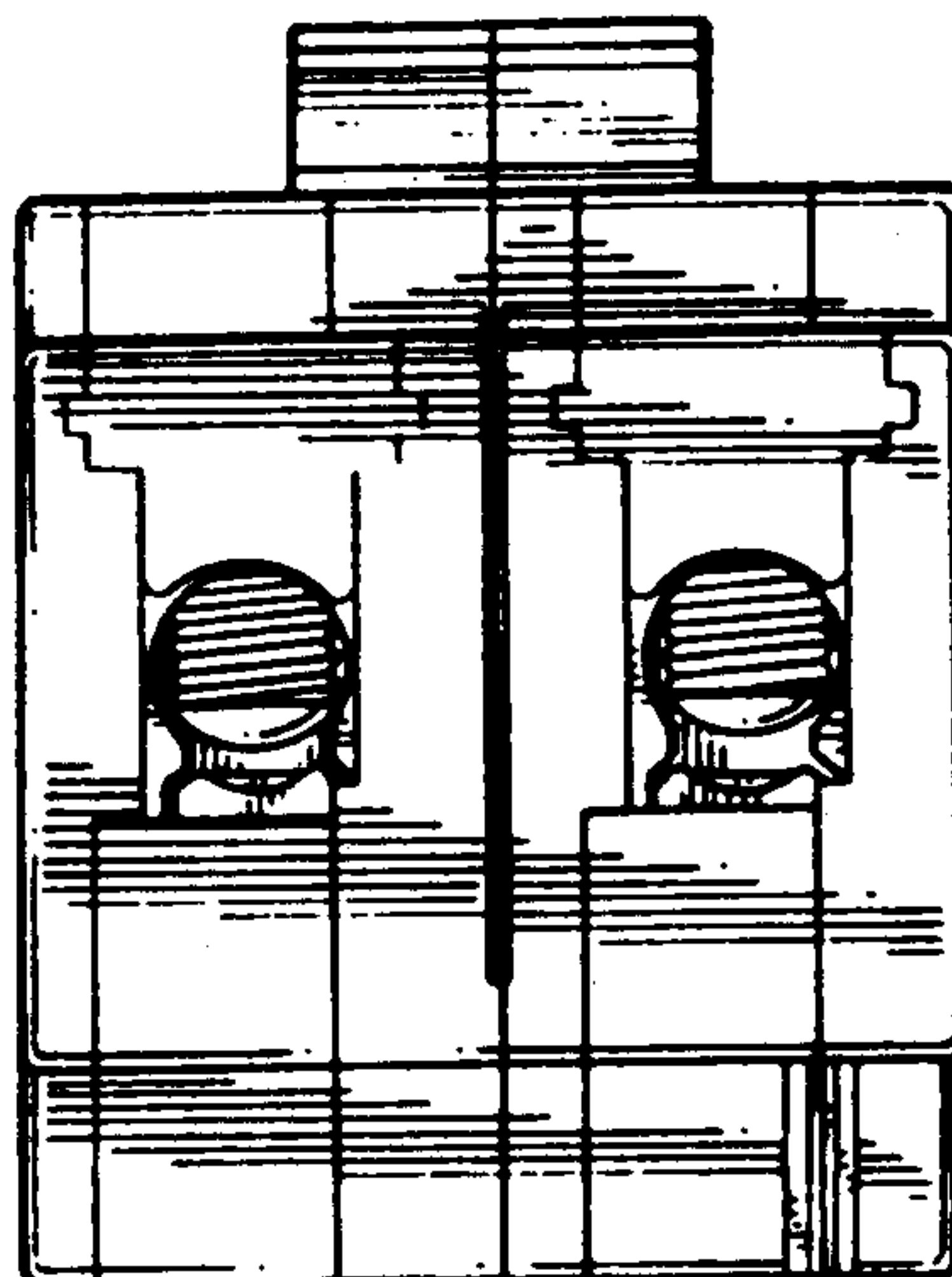


FIG. 7

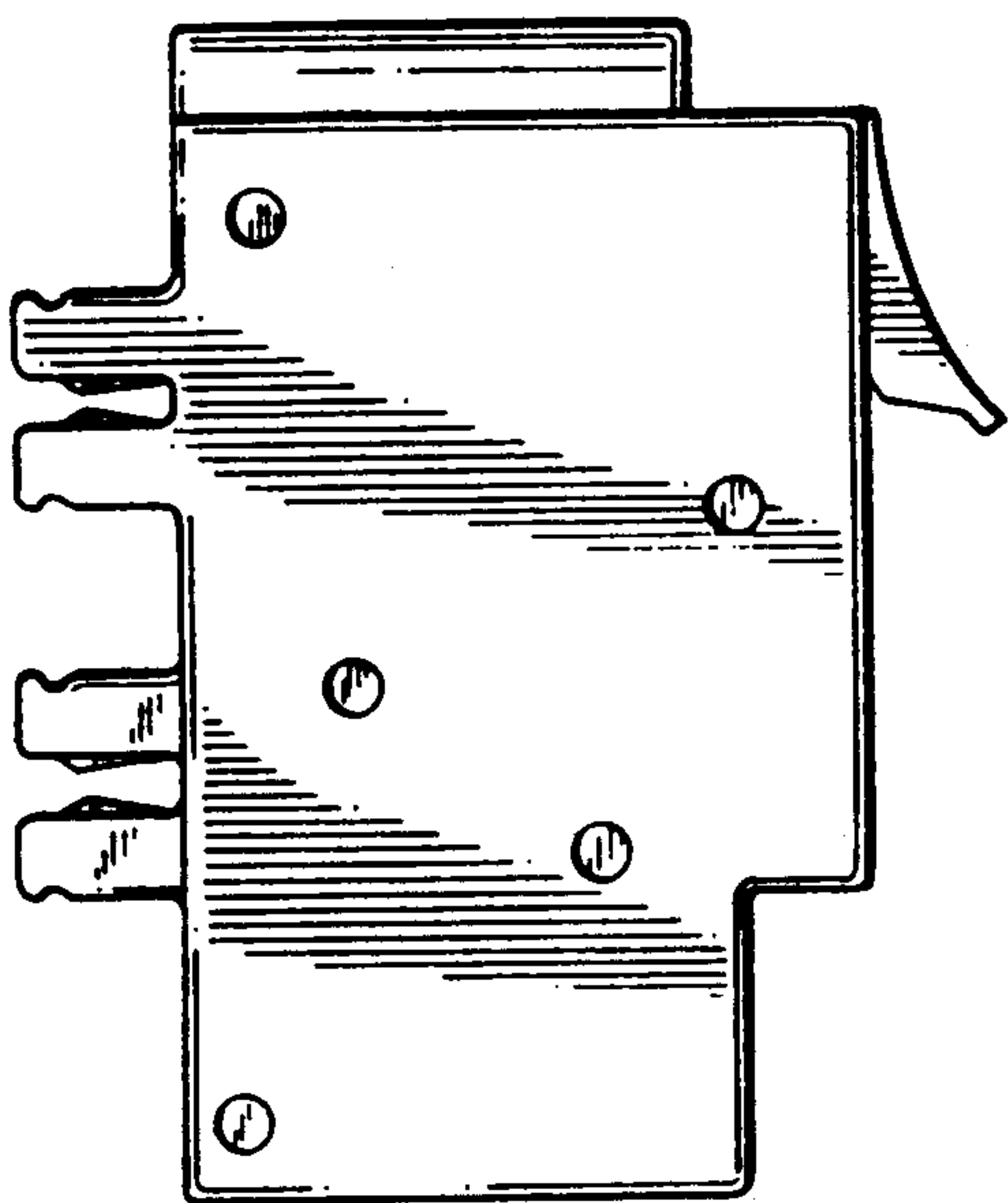


FIG. 4

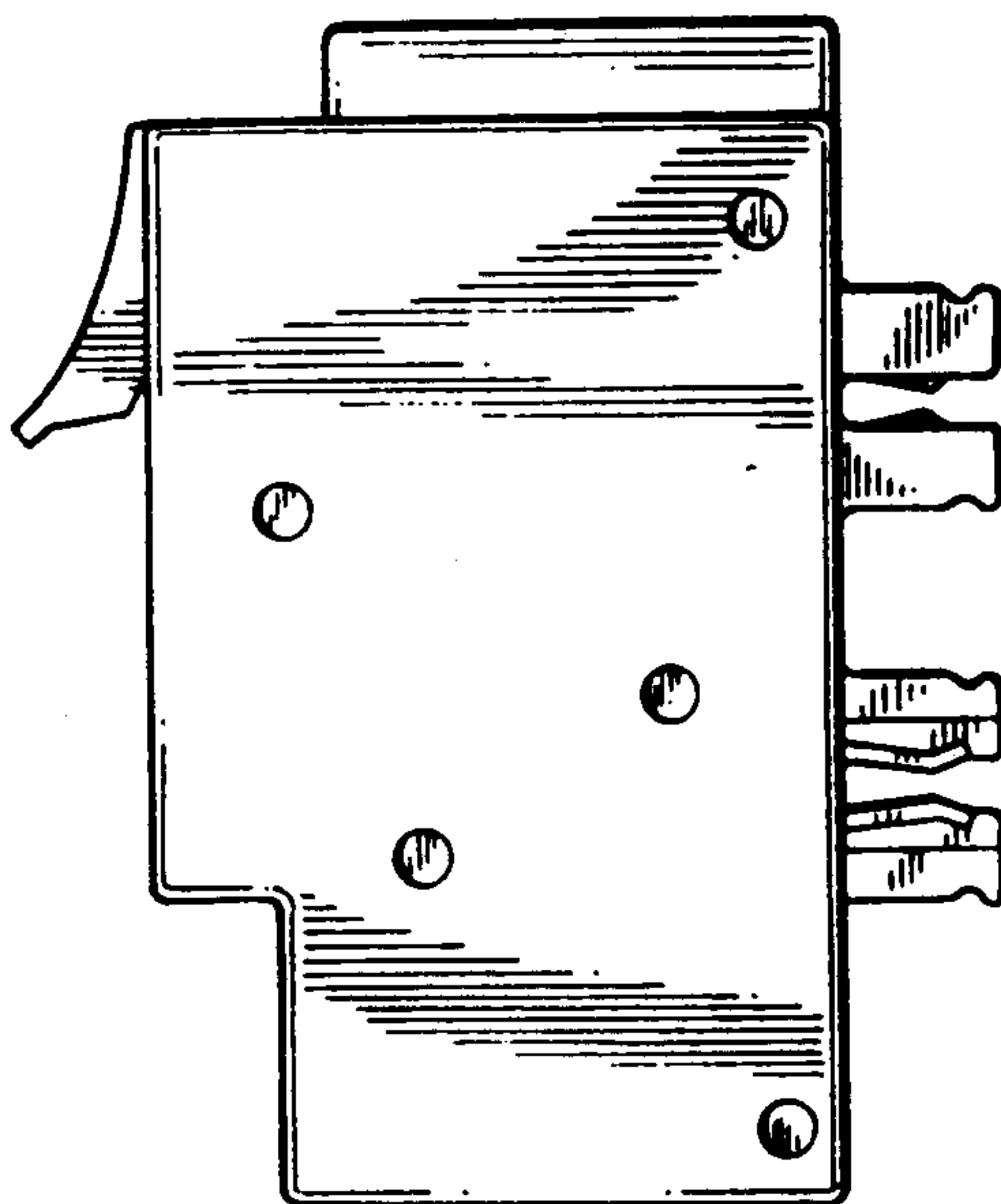


FIG. 6