

[54] COMBINED EMERGENCY FLOAT AND ALARM UNIT THEREFOR

[76] Inventor: Christopher F. Hoult, 1145 Granite Creek La., Chino Valley, Ariz. 86323

[**] Term: 14 Years

[21] Appl. No.: 272,879

[22] Filed: Nov. 18, 1988

[52] U.S. Cl. D12/316; D10/106

[58] Field of Search D12/316; D21/237; 441/88, 65, 66; 114/266, 267, 263; D10/104, 106, 107; 340/984

[56] References Cited

U.S. PATENT DOCUMENTS

- D. 196,402 9/1963 Brown D12/316
- D. 198,293 5/1964 Coffey D12/316
- D. 276,708 12/1984 Simpson D10/104
- D. 283,220 4/1986 Collier D12/316

- D. 294,571 3/1988 Sabin et al. D10/106
- D. 298,428 11/1988 Kendle, Jr. D12/316
- 4,867,093 9/1989 Sullivan 114/267

Primary Examiner—Kay H. Chin
Attorney, Agent, or Firm—Jerry T. Kearns

[57] CLAIM

The ornamental design for a combined emergency float and alarm unit therefor, as shown and described.

DESCRIPTION

FIG. 1 is a front elevational view of a combined emergency float and alarm unit therefor showing my new design;

FIG. 2 is a rear elevational view thereof;

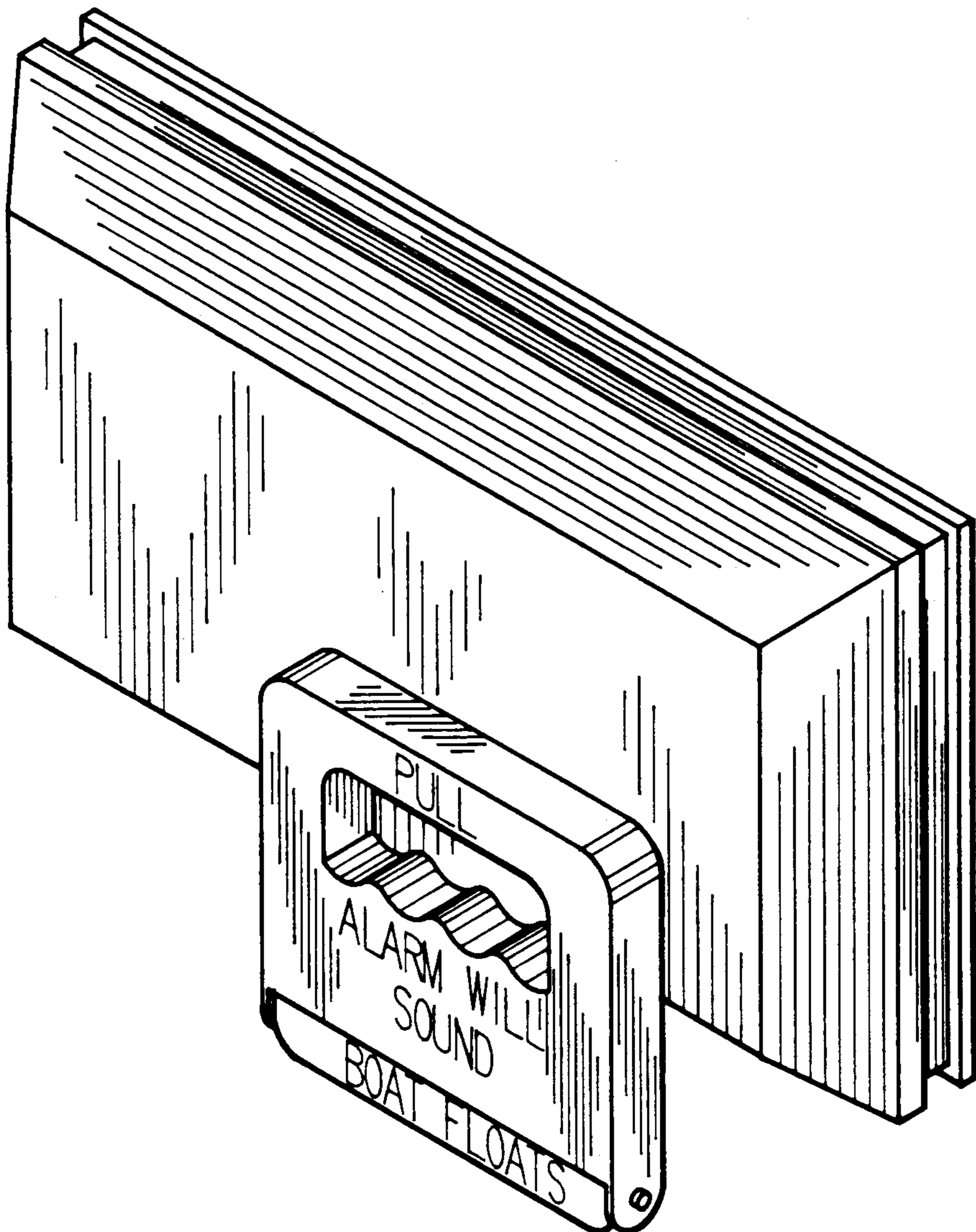
FIG. 3 is a left side elevational view thereof;

FIG. 4 is a right side elevational view thereof;

FIG. 5 is a top plan view thereof;

FIG. 6 is a bottom plan view thereof; and,

FIG. 7 is a perspective view thereof.



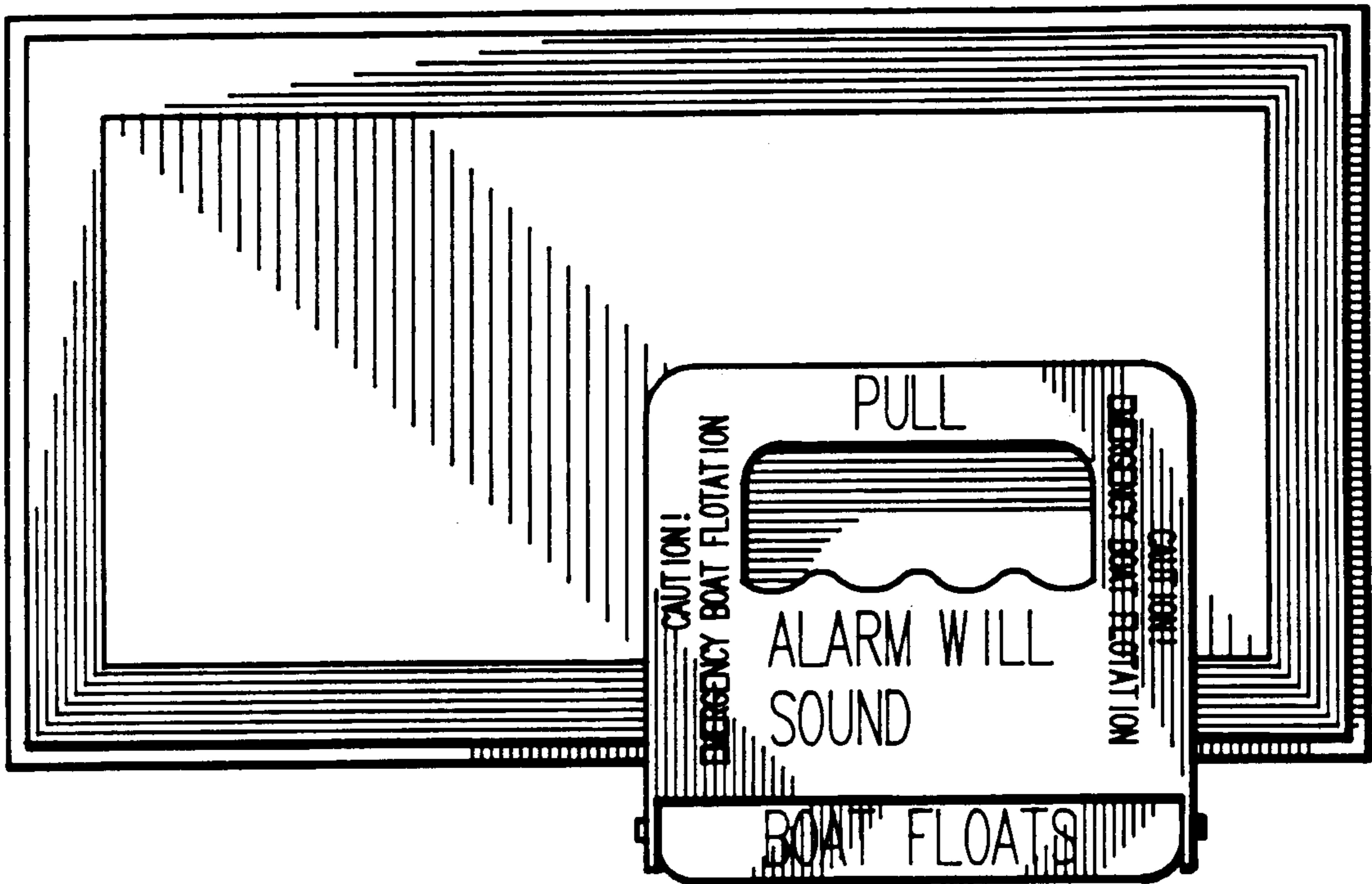


Fig. 1

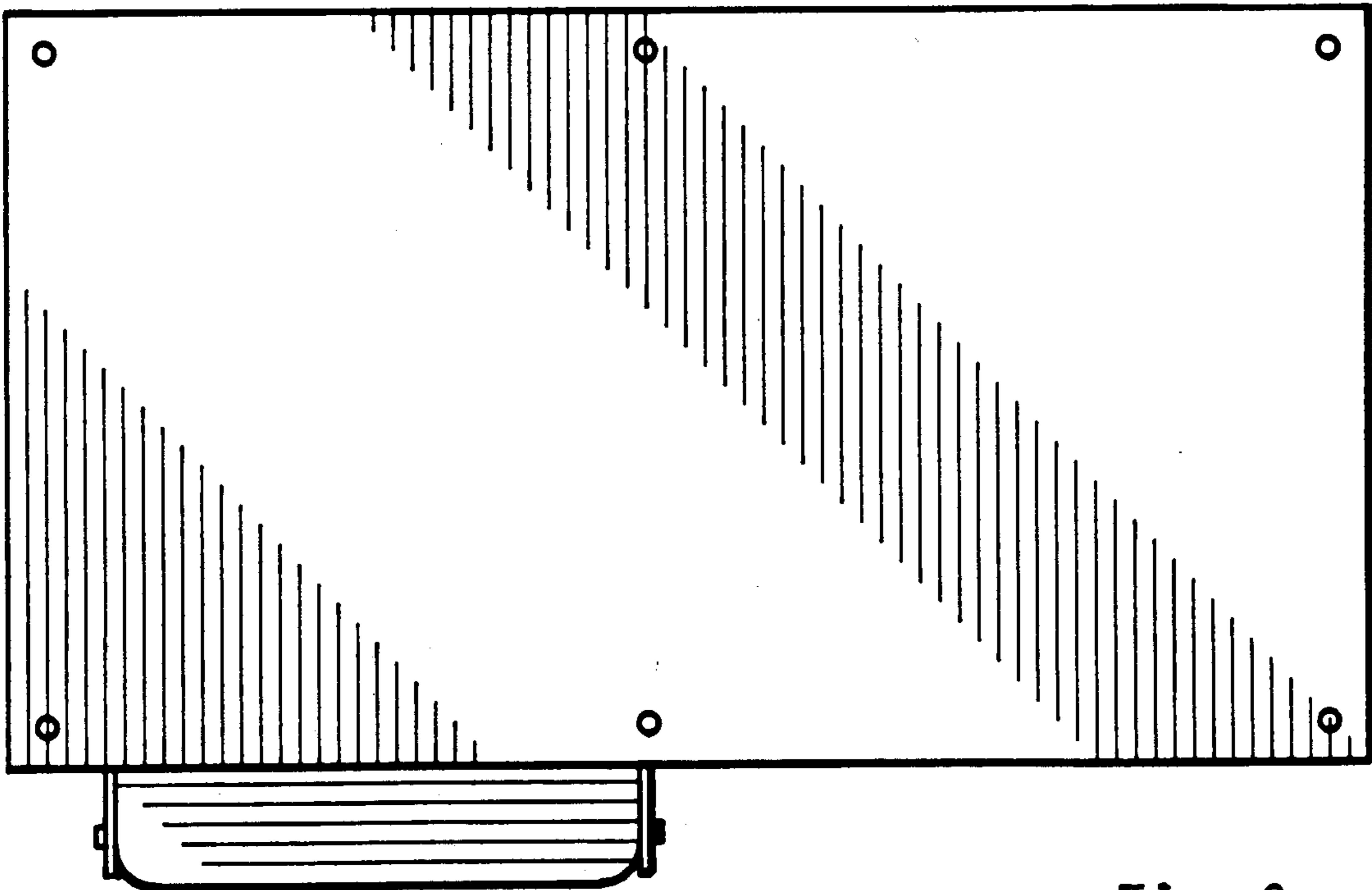
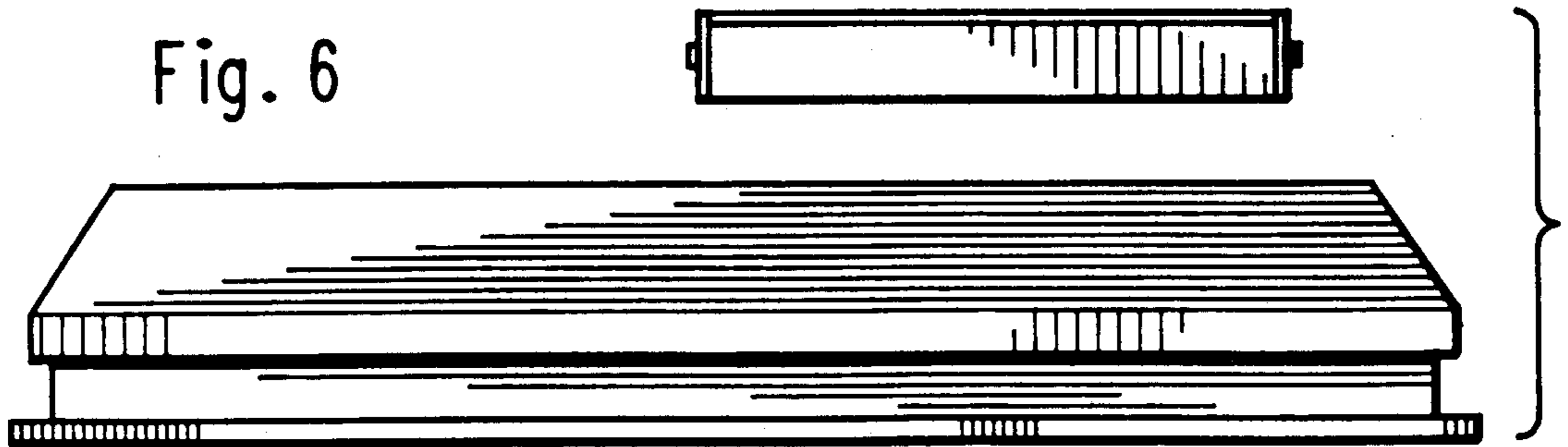
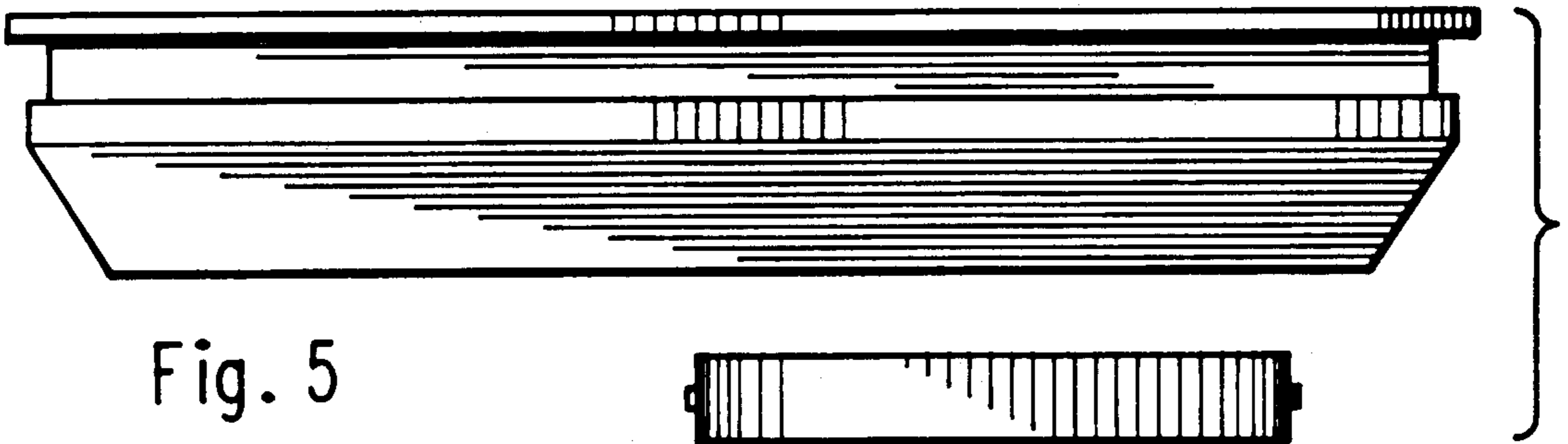
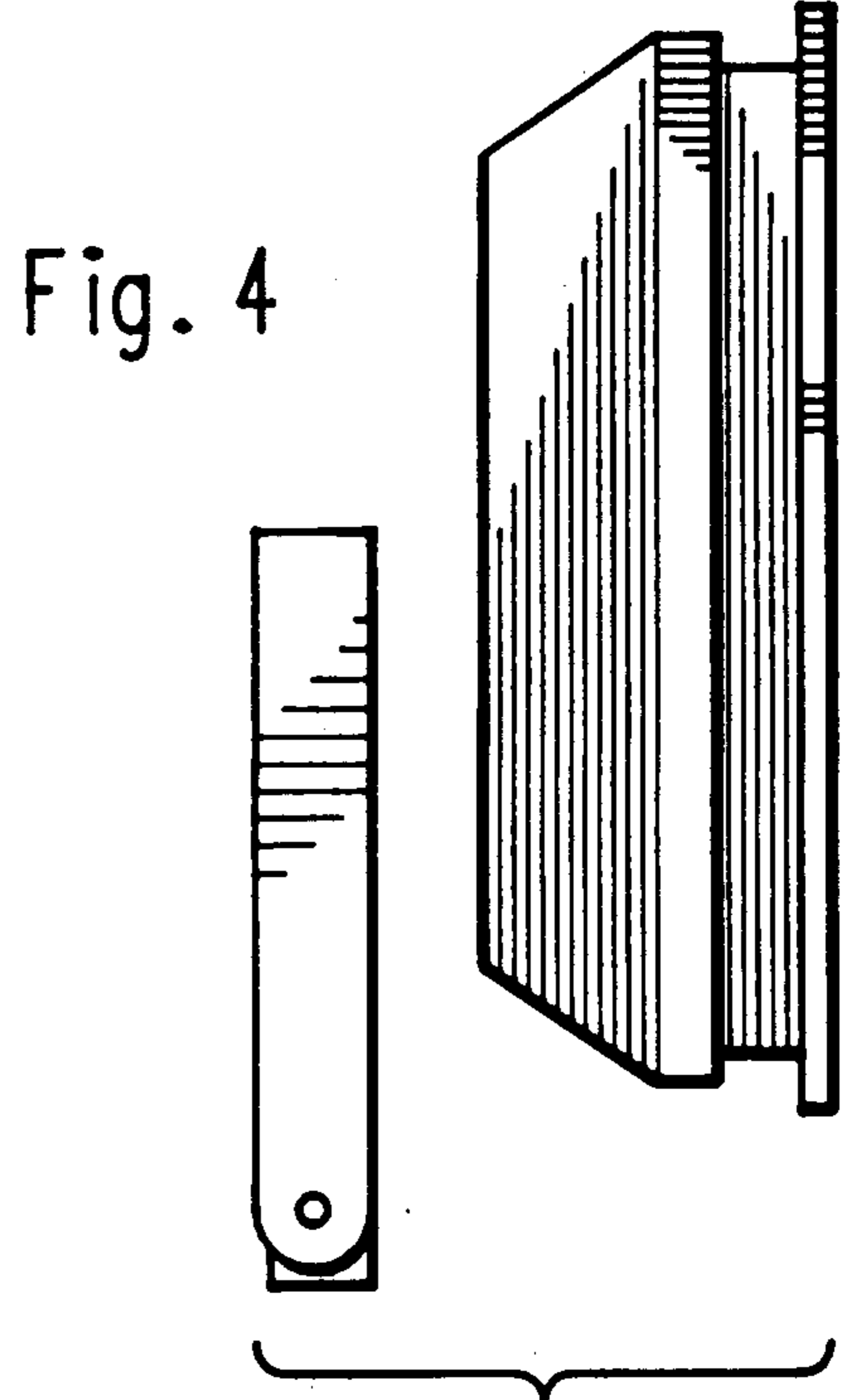
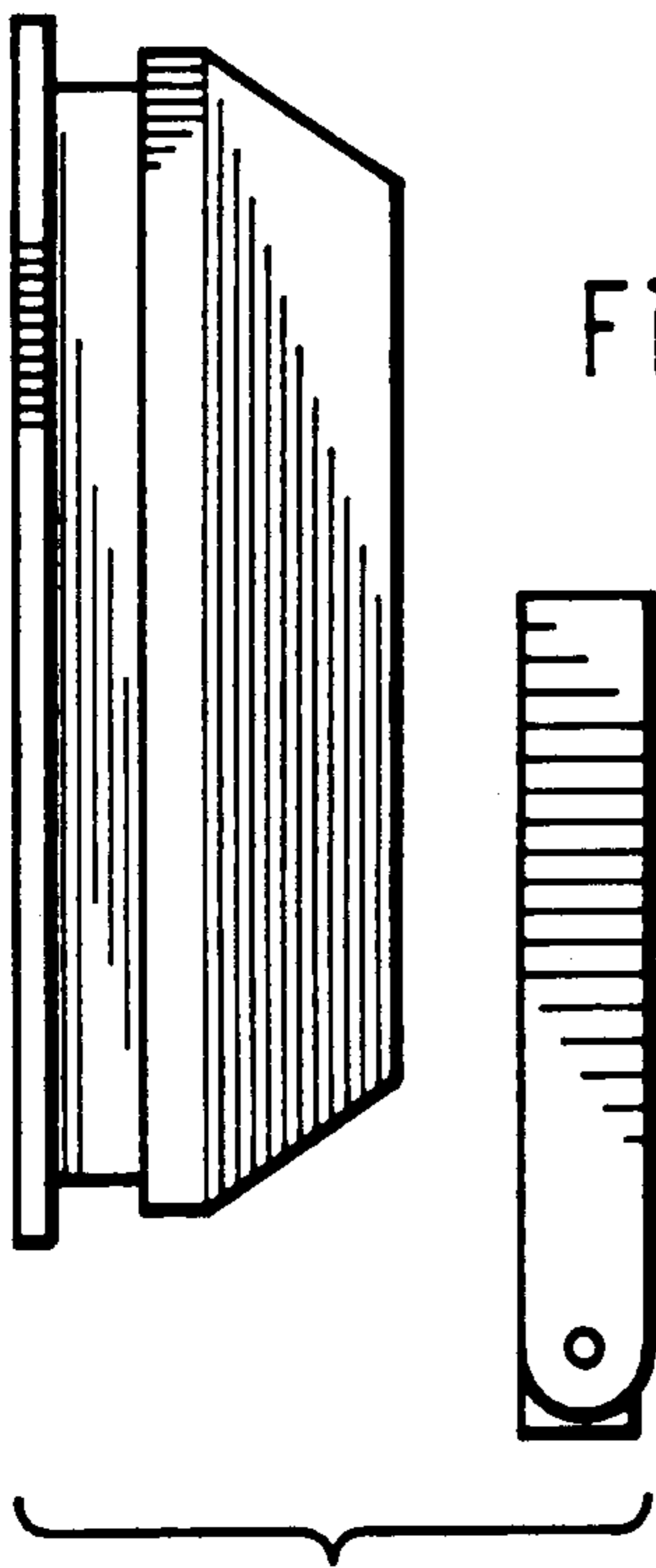


Fig. 2



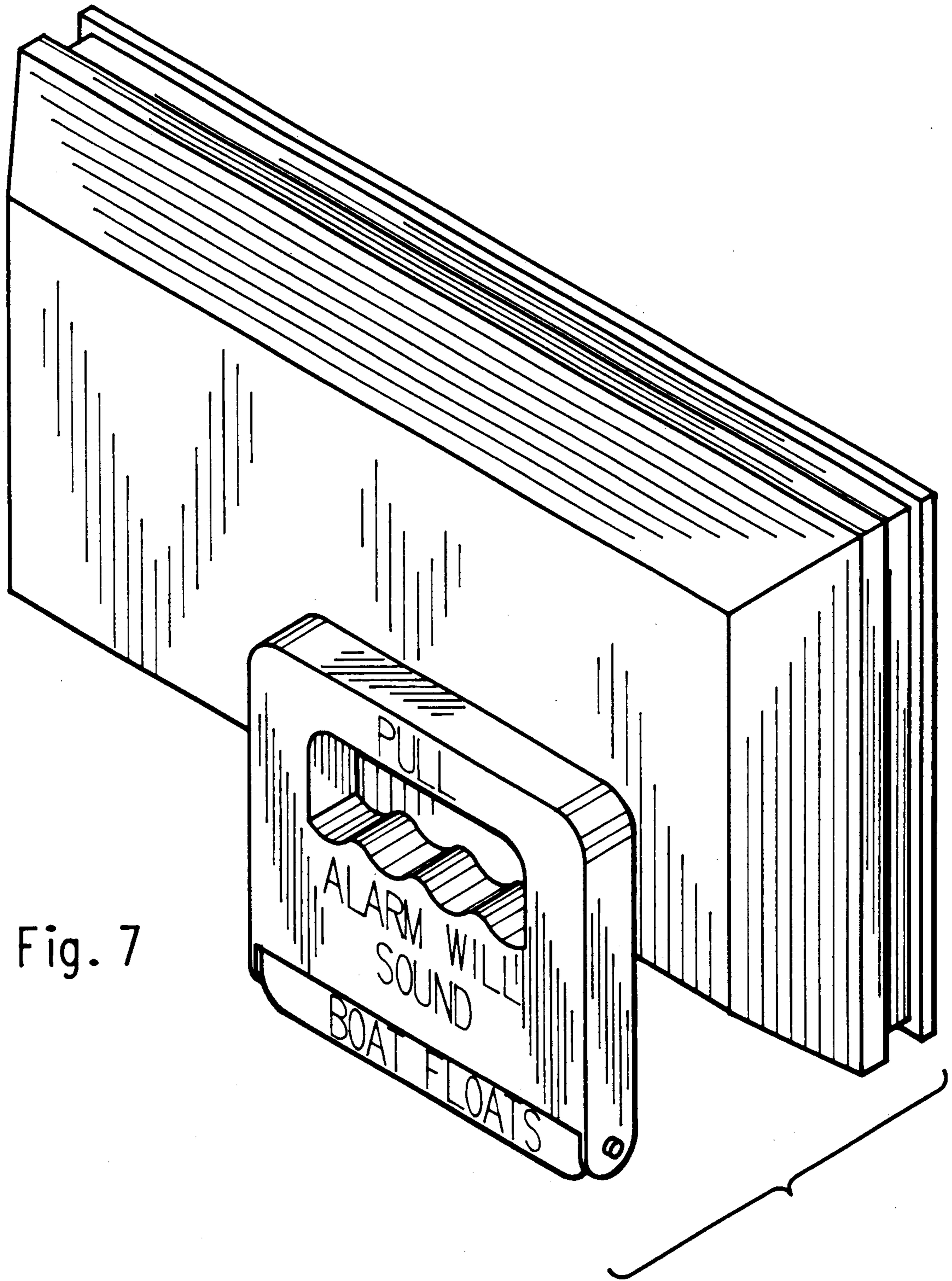


Fig. 7