

# United States Patent [19]

**Swauger**

[11] **Patent Number: Des. 316,996**

[45] **Date of Patent: \*\* May 21, 1991**

[54] **AUTO REAR VIEW SAFETY MIRROR**

[76] **Inventor: Donald A. Swauger, 2105 Byron Rd., Sacramento, Calif. 95825**

[\*\*] **Term: 14 Years**

[21] **Appl. No.: 292,729**

[22] **Filed: Jan. 9, 1989**

[52] **U.S. Cl. .... D12/187**

[58] **Field of Search ..... D12/187; D6/301, 302; 350/600, 605, 612, 615, 621, 623, 626, 627, 629, 631, 632, 636**

[56] **References Cited**

### U.S. PATENT DOCUMENTS

2,802,394	8/1957	Krone .....	350/627
3,145,257	8/1964	Suga .....	350/627
4,695,138	9/1987	Epstein .....	350/636

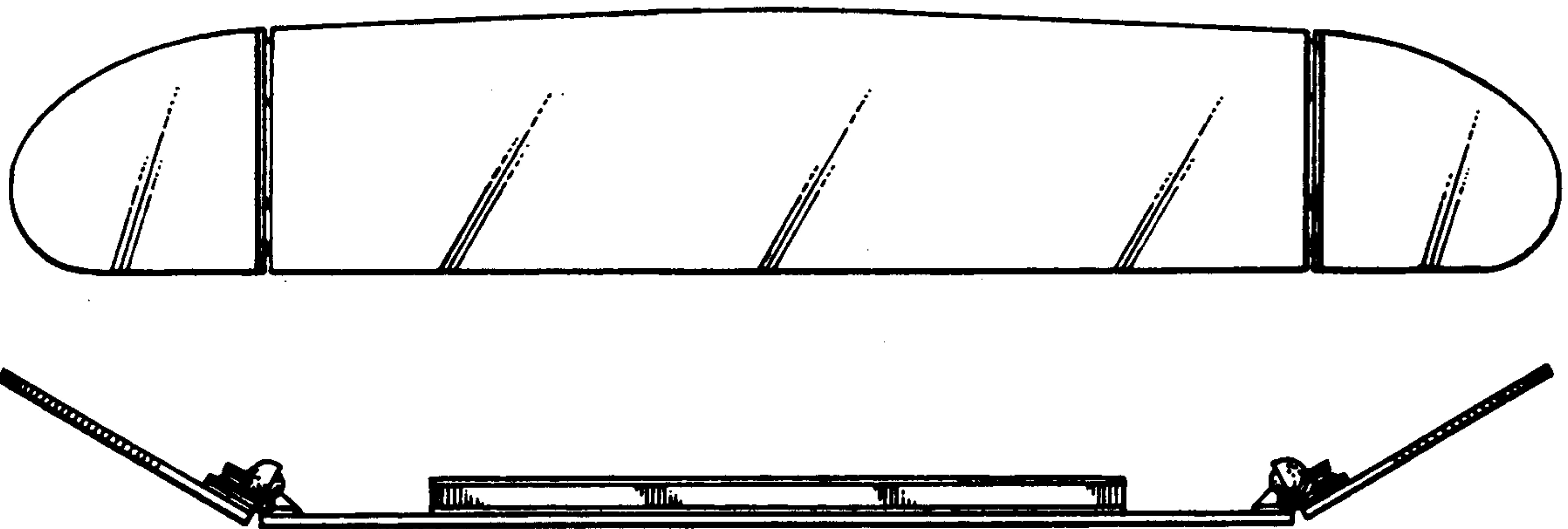
*Primary Examiner—James M. Gandy  
Attorney, Agent, or Firm—Roger A. Marrs*

[57] **CLAIM**

The ornamental design for an auto rear view safety mirror, as shown.

### DESCRIPTION

FIG. 1 is a front elevational view showing my new design for an auto rear view safety mirror;  
FIG. 2 is a top plan view thereof;  
FIG. 3 is a rear elevational view thereof;  
FIG. 4 is a side elevational view thereof; and  
FIG. 5 is a top, rear perspective view thereof.



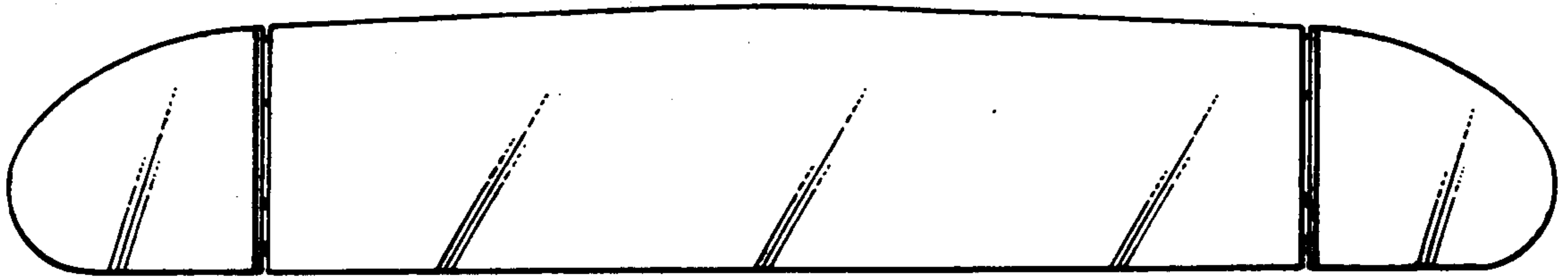


FIG. 1.

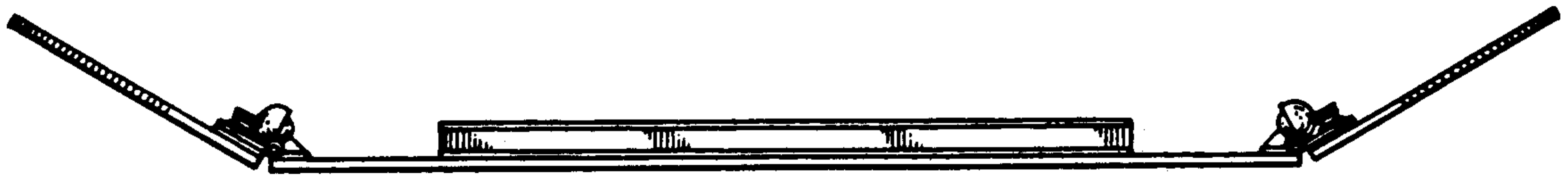


FIG. 2.

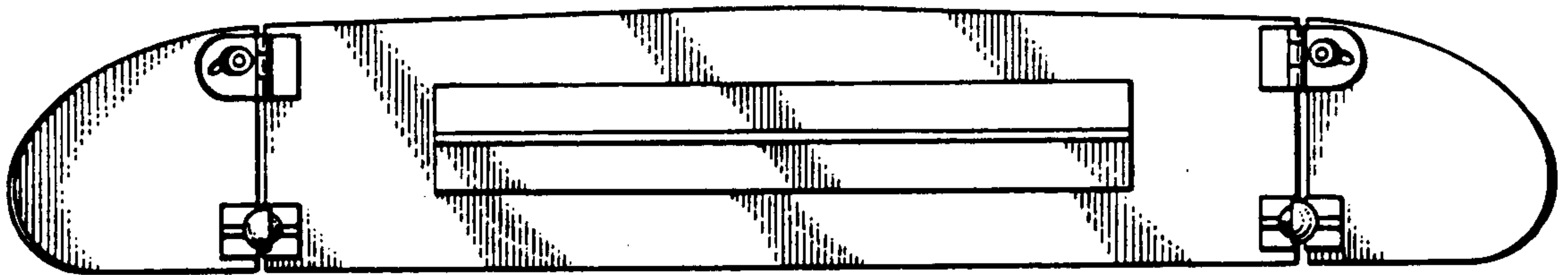


FIG. 3.

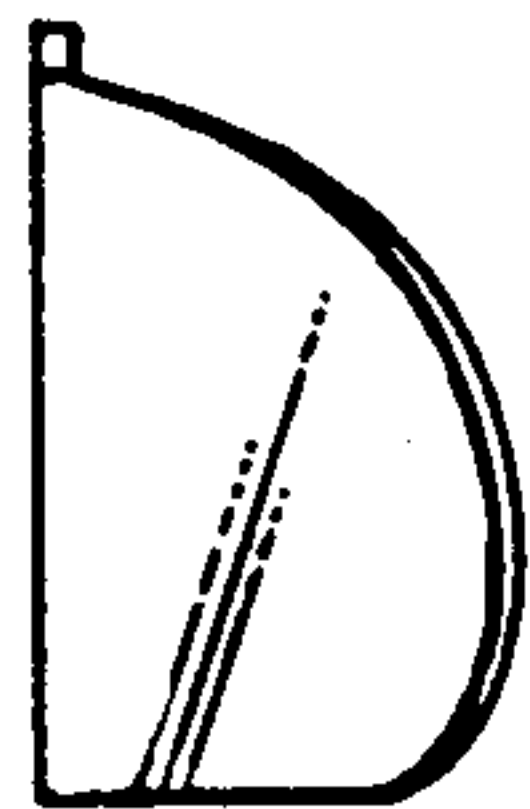


FIG. 4.

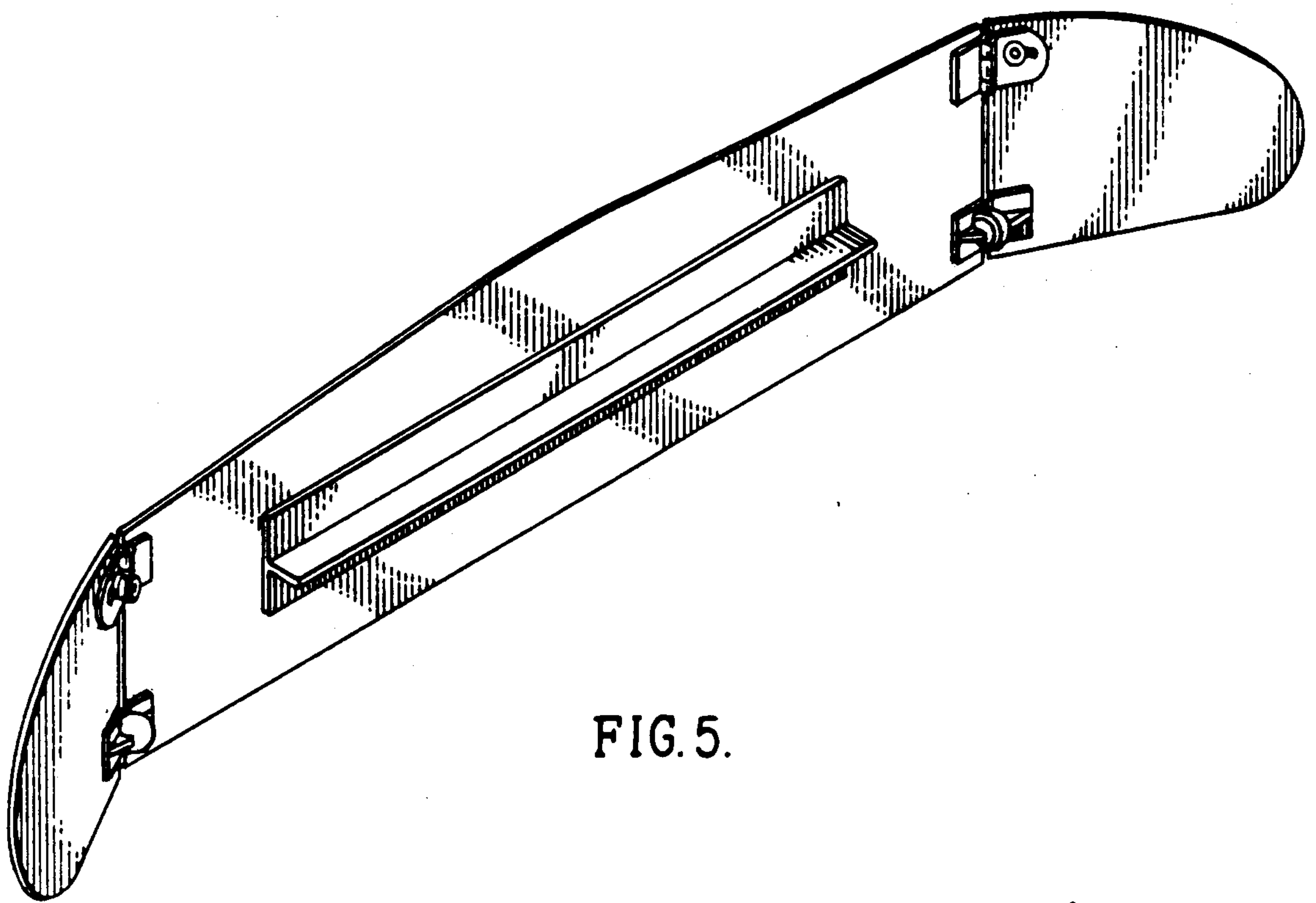


FIG. 5.