

[54] VEHICLE MUD FLAP

[76] Inventor: Eugene Anania, 1341 Blake St., St. Augustine, Fla. 32084

[**] Term: 14 Years

[21] Appl. No.: 375,720

[22] Filed: Jul. 5, 1989

[52] U.S. Cl. D12/185

[58] Field of Search D12/185; 280/851, 848, 280/849

[56] References Cited

U.S. PATENT DOCUMENTS

2,605,119 7/1952 Earnest 280/851

Primary Examiner—James M. Gandy
Attorney, Agent, or Firm—Terry M. Gernstein

[57] CLAIM

The ornamental design for a vehicle mud flap, as shown and described.

DESCRIPTION

FIG. 1 is a perspective view of a vehicle mud flap showing my new design.

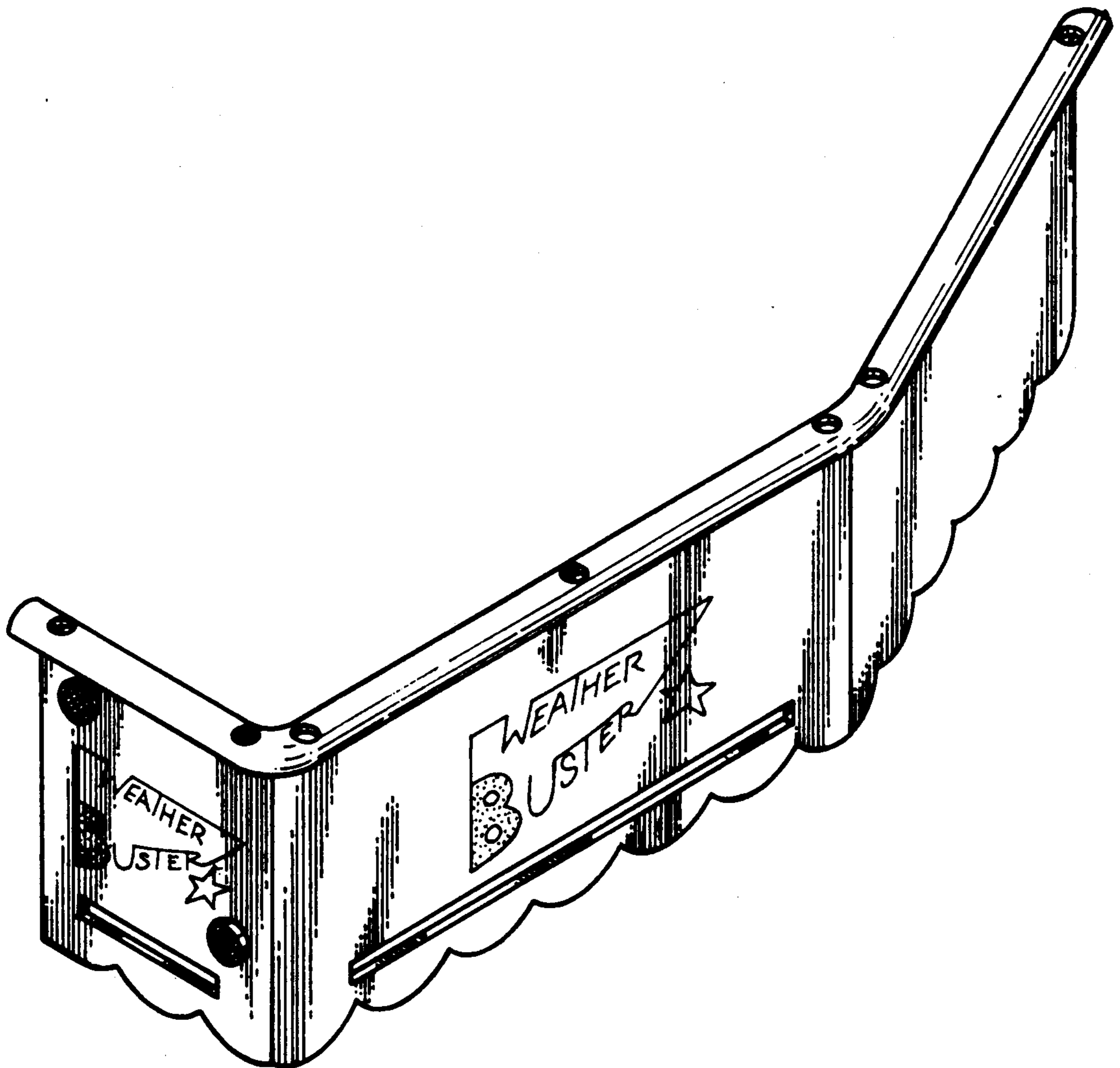
FIG. 2 is a side elevational view thereof.

FIG. 3 is a top plan view thereof.

FIG. 4 is a left end elevational view thereof.

FIG. 5 is a right elevational view thereof.

The side opposite to that shown in FIG. 2 of the drawing is understood to be flat and unornamented.



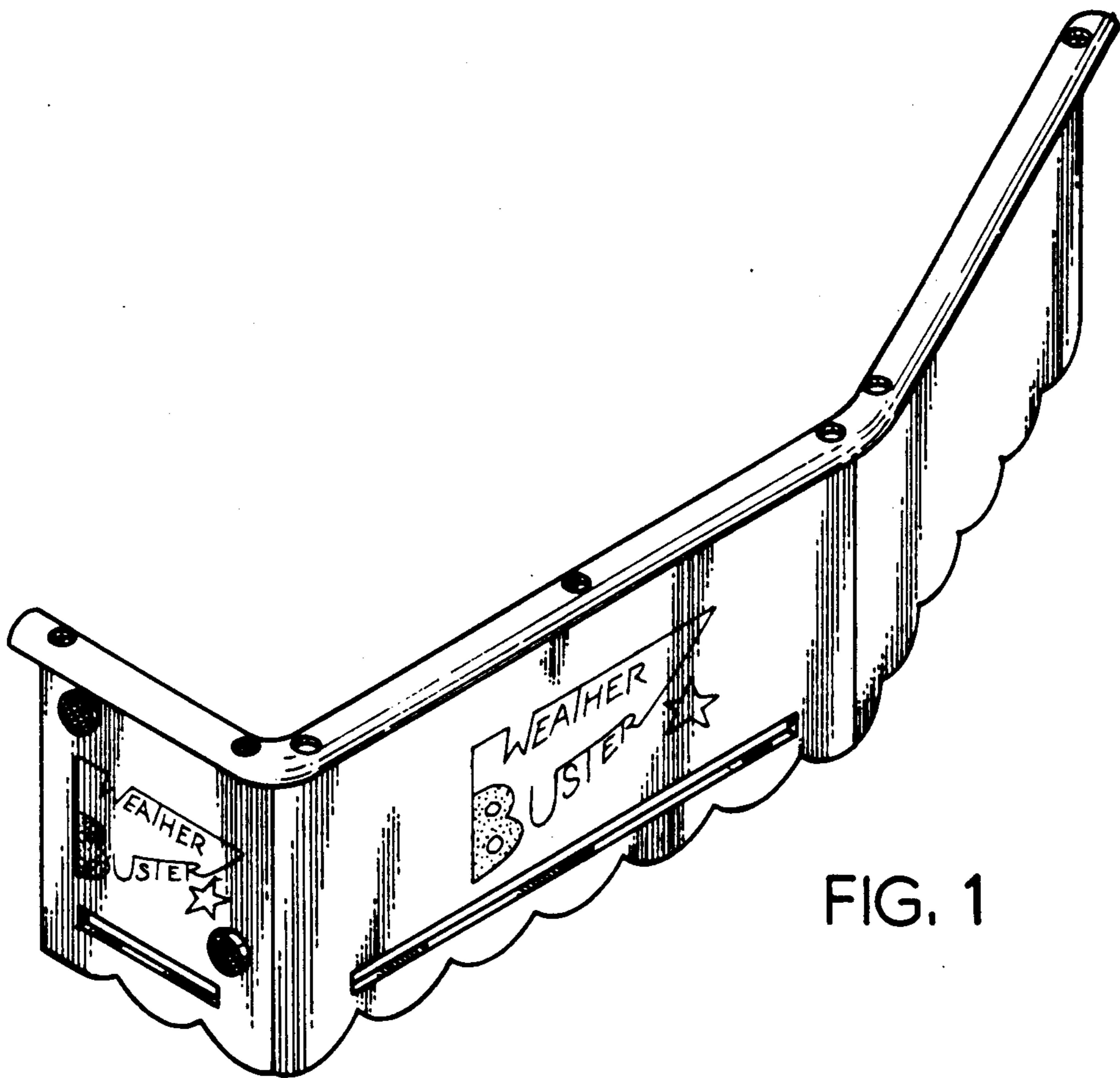


FIG. 1

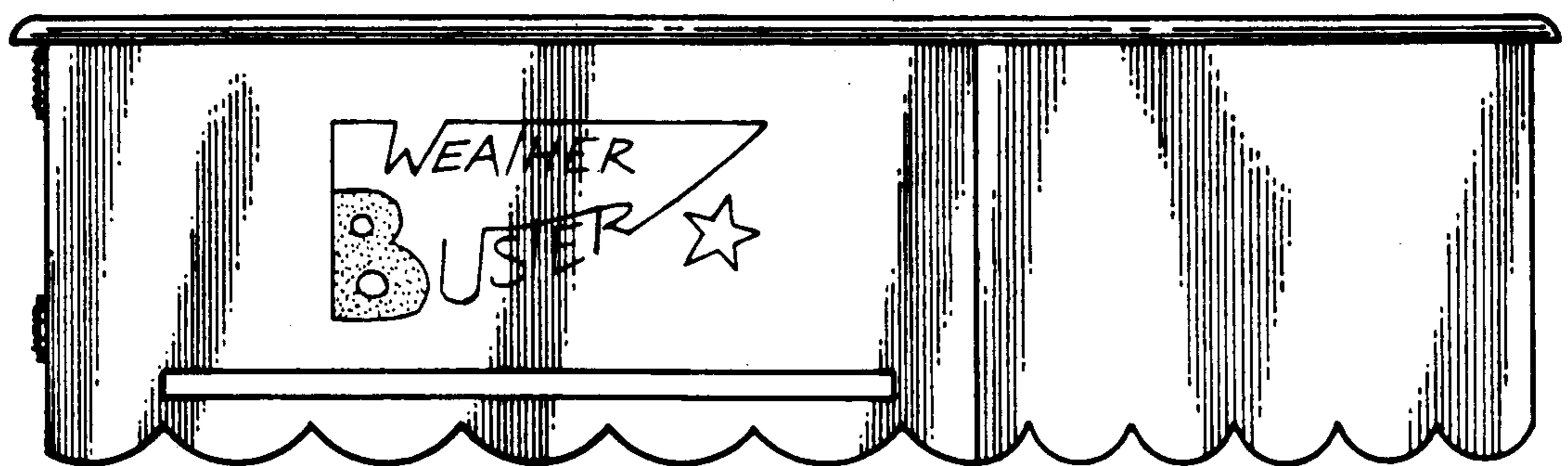


FIG. 2

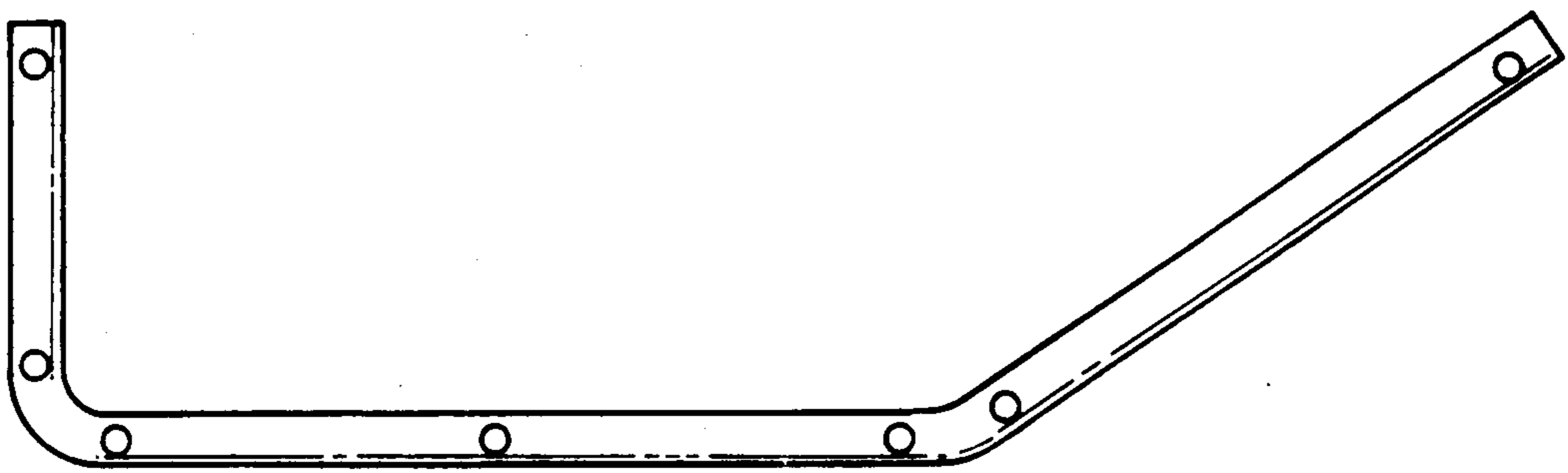


FIG. 3

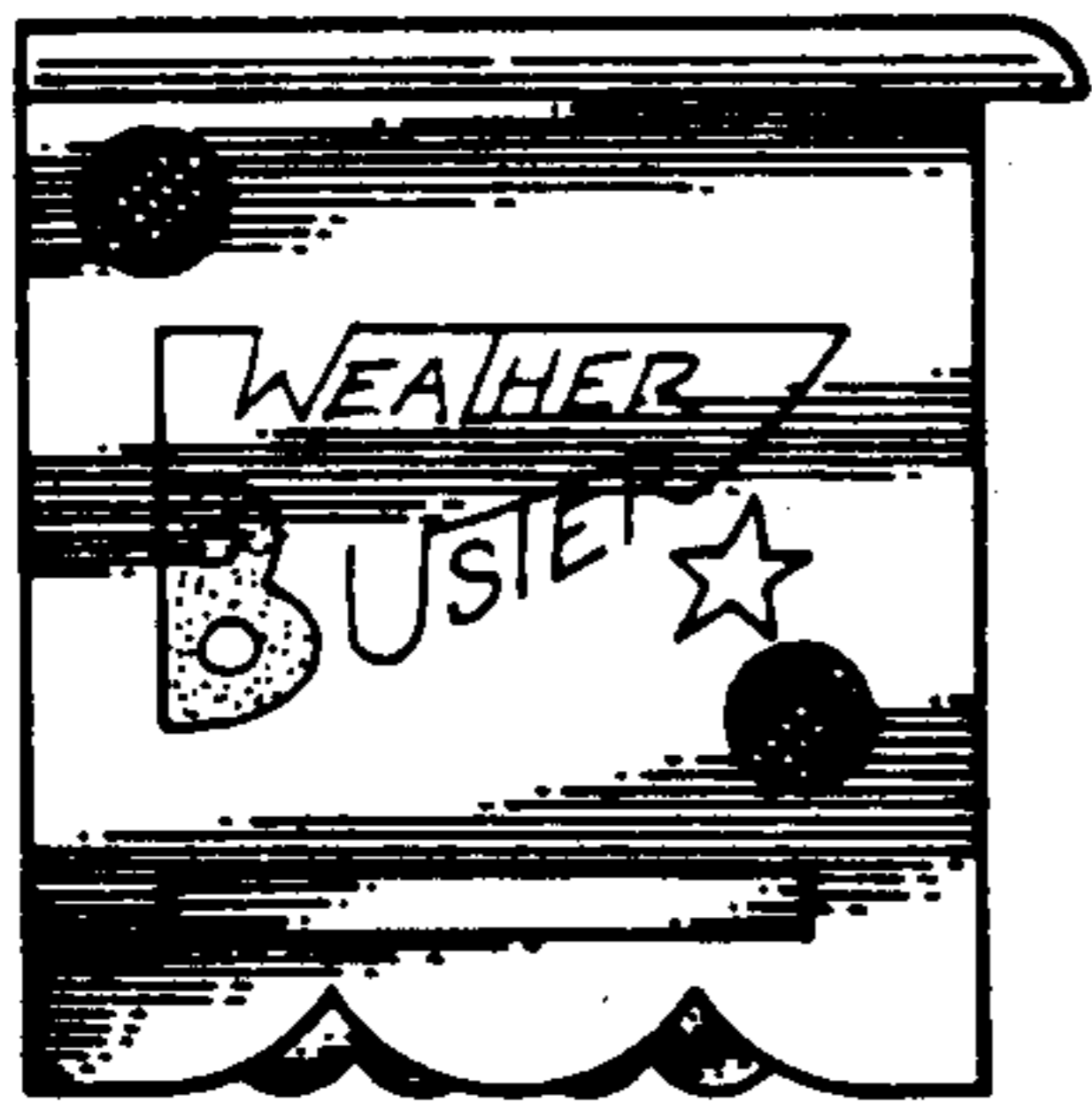


FIG. 4

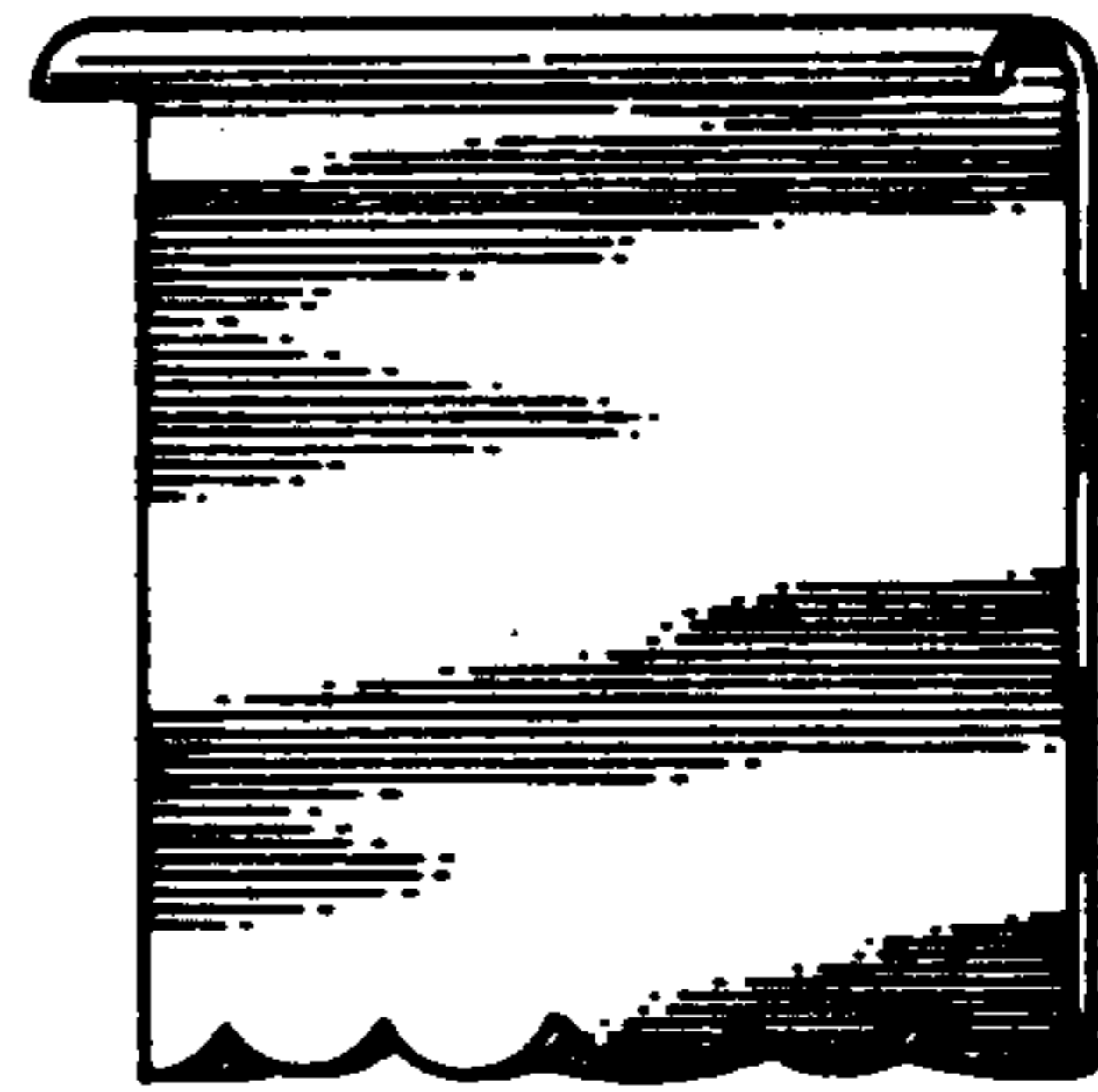


FIG. 5