

[54] CHILD TRANSPORTER

[76] Inventor: Carlton P. McCrary, 1401 S. Pulaski, Little Rock, Ark. 72202

[\*\*] Term: 14 Years

[21] Appl. No.: 31,684

[22] Filed: Mar. 30, 1987

[52] U.S. Cl. .... D12/129; D34/26

[58] Field of Search ..... D34/12, 24, 25, 26, D34/27; D12/129; 280/65, 47.25, 70, 63

[56] References Cited

U.S. PATENT DOCUMENTS

D. 248,226 6/1978 Sailer, Sr. .... D12/129  
4,679,807 7/1987 Raybon ..... 280/304.1

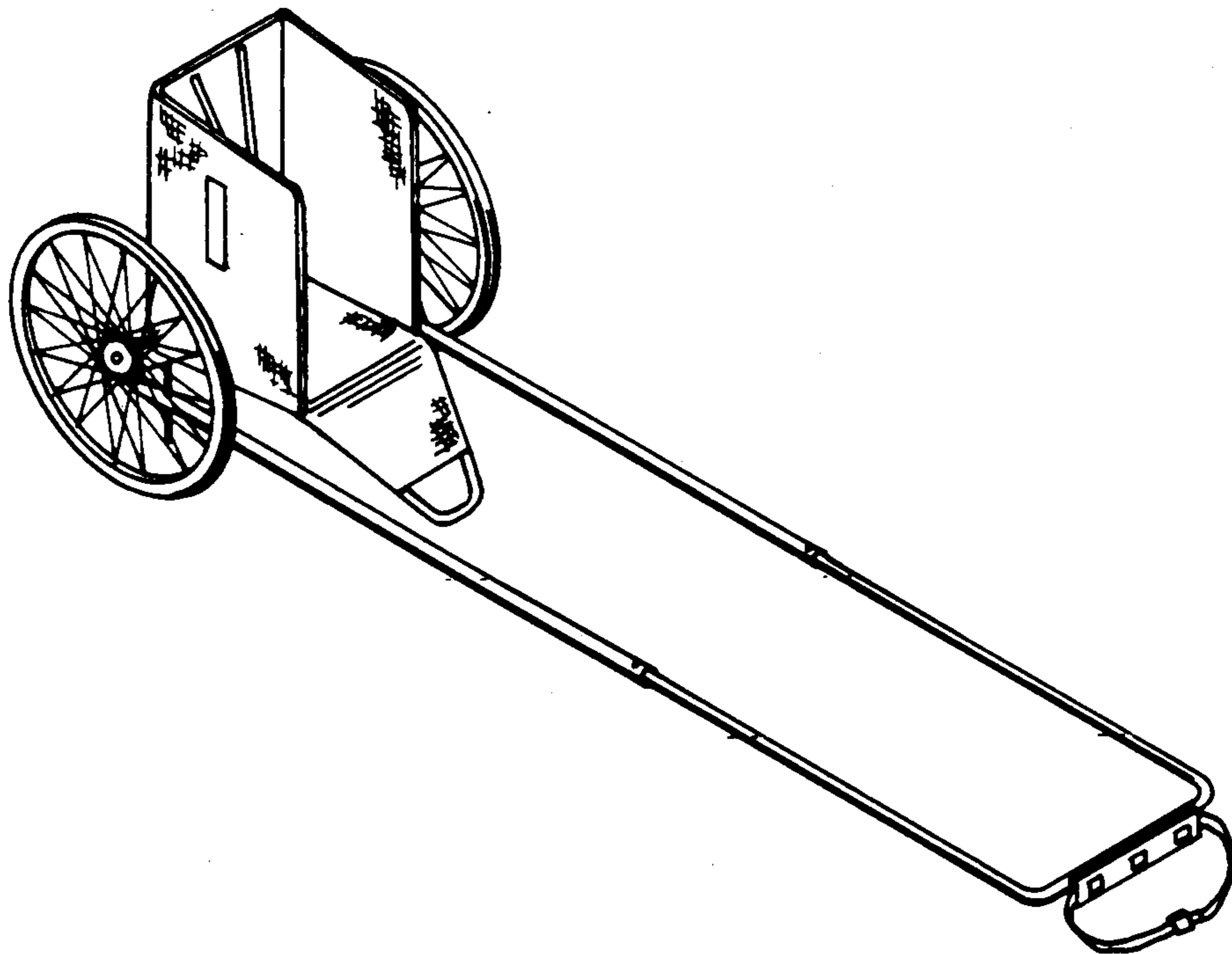
Primary Examiner—Kay H. Chin  
Attorney, Agent, or Firm—Crutsinger & Booth

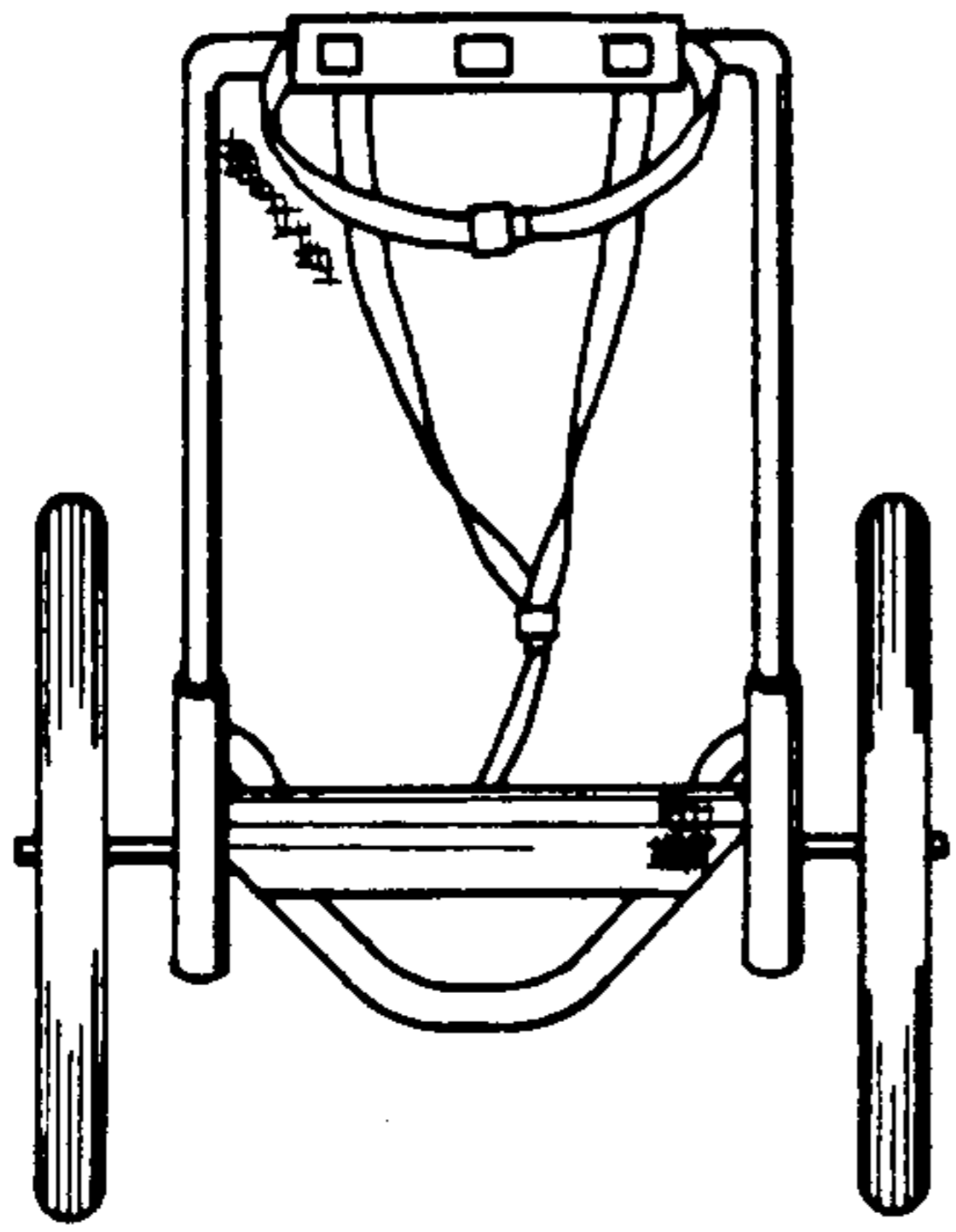
[57] CLAIM

The ornamental design for a child transporter, as shown and described.

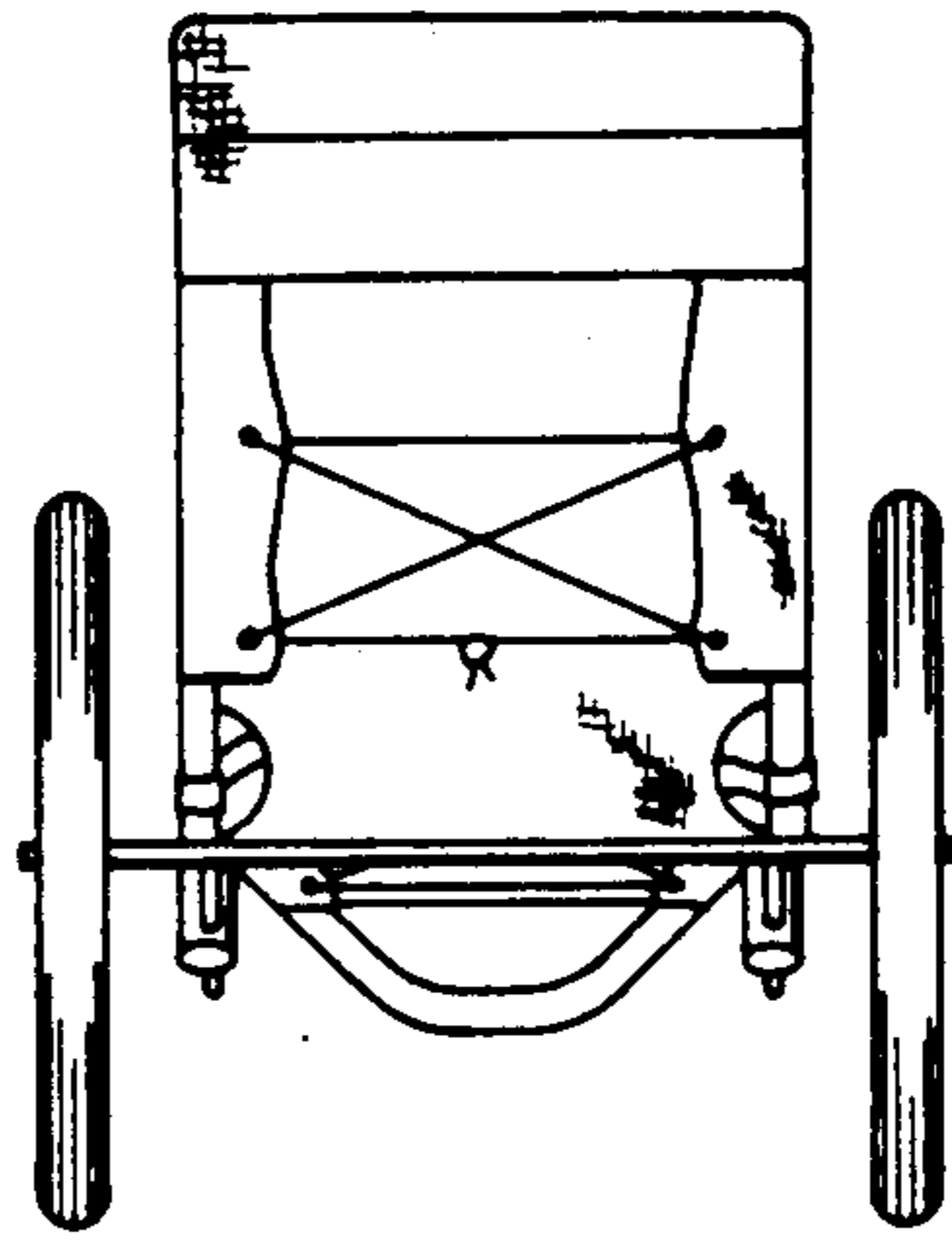
DESCRIPTION

FIG. 1 is a front elevational view of a child transporter showing my new design;  
FIG. 2 is a rear elevational view thereof;  
FIG. 3 is a right side elevational view thereof;  
FIG. 4 is a left side elevational view thereof;  
FIG. 5 is a top plan view thereof;  
FIG. 6 is a bottom plan view thereof;  
FIG. 7 is a top, front and left side perspective view thereof;  
FIG. 8 is a top, rear and right side perspective view thereof; and  
FIG. 9 is a top, rear and left side perspective view thereof.

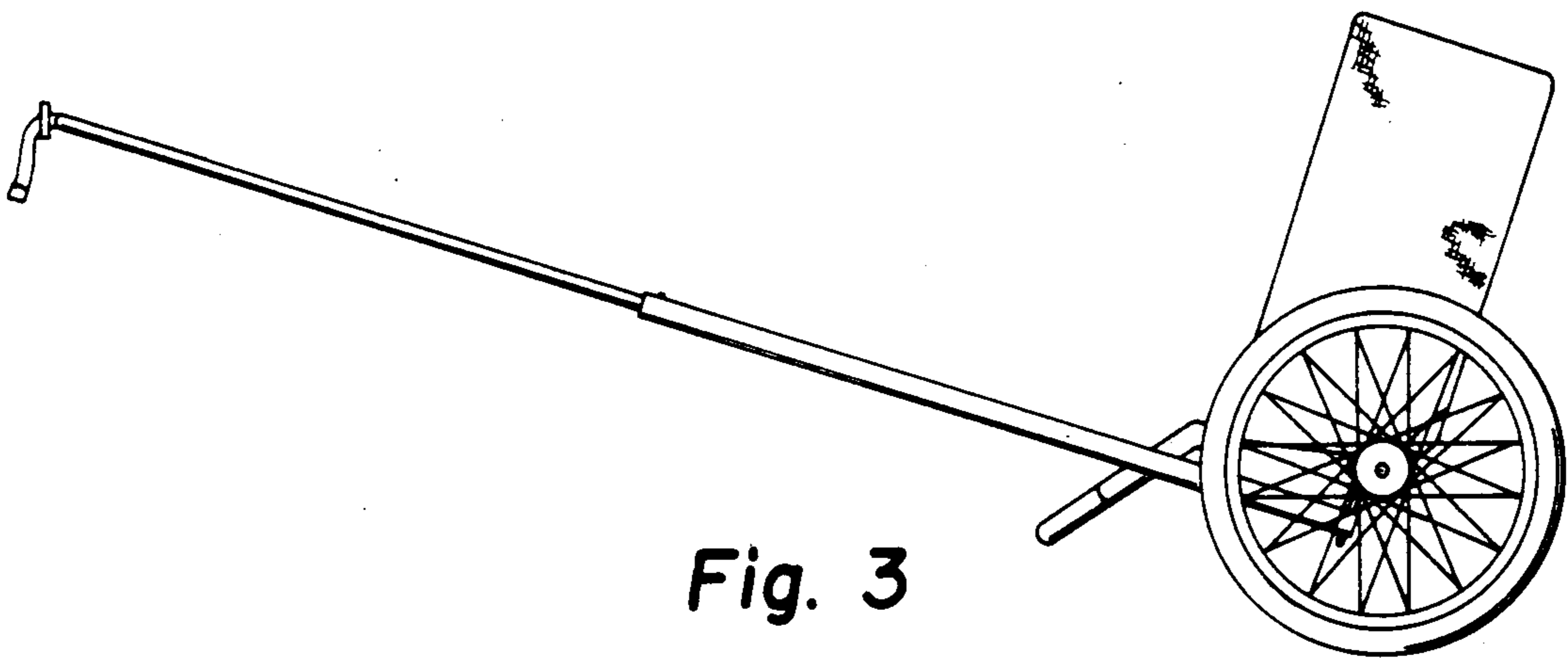




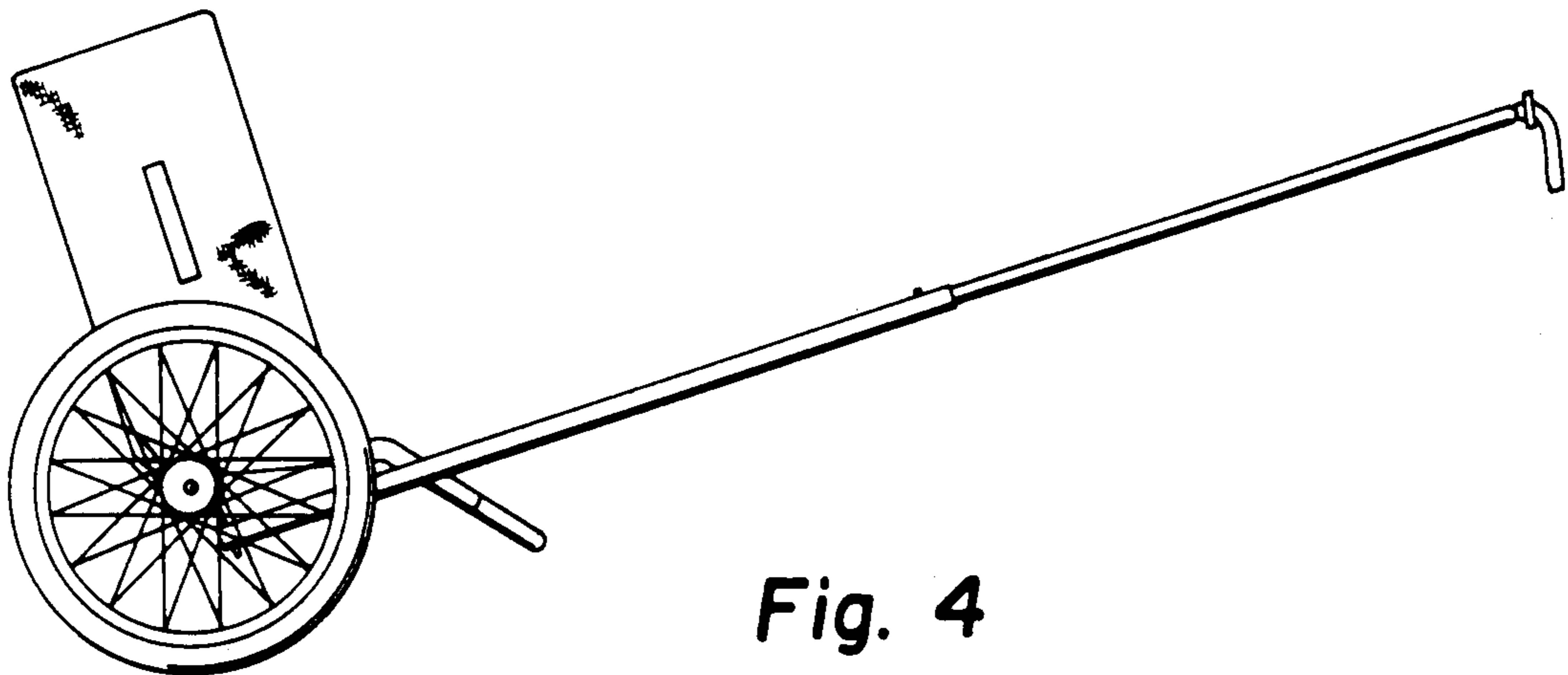
*Fig. 1*



*Fig. 2*



*Fig. 3*



*Fig. 4*

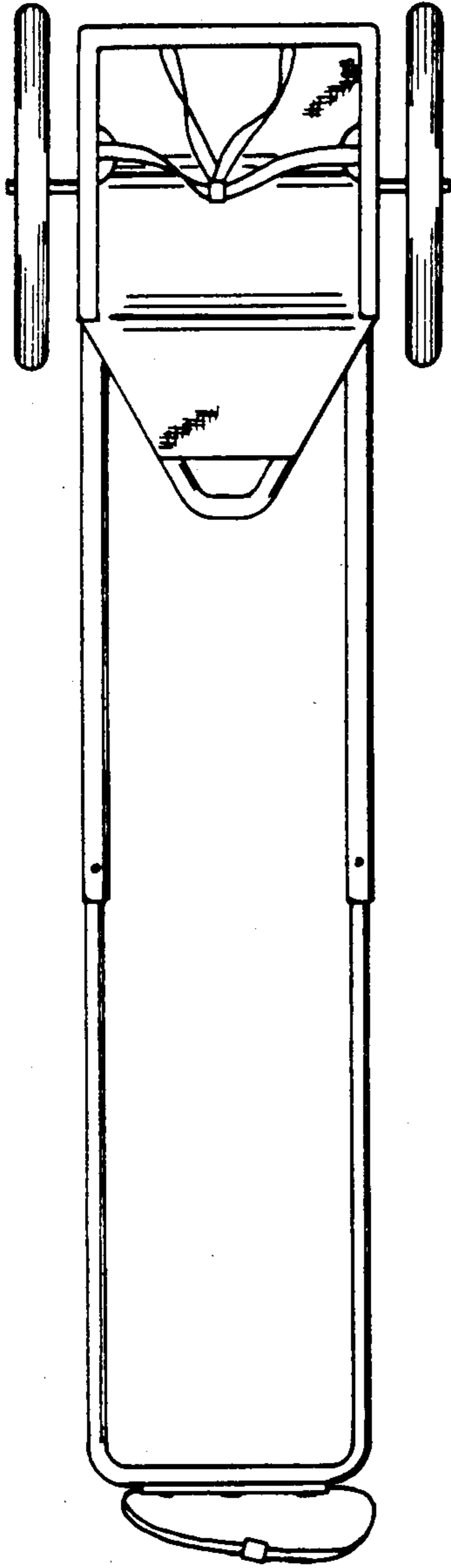


Fig. 5

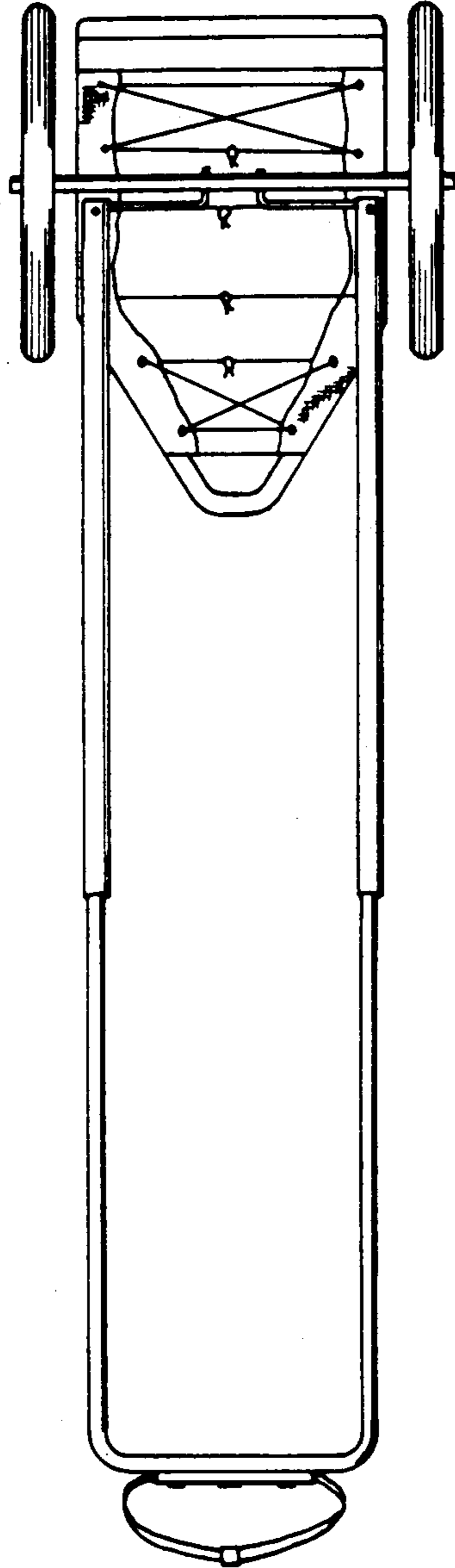
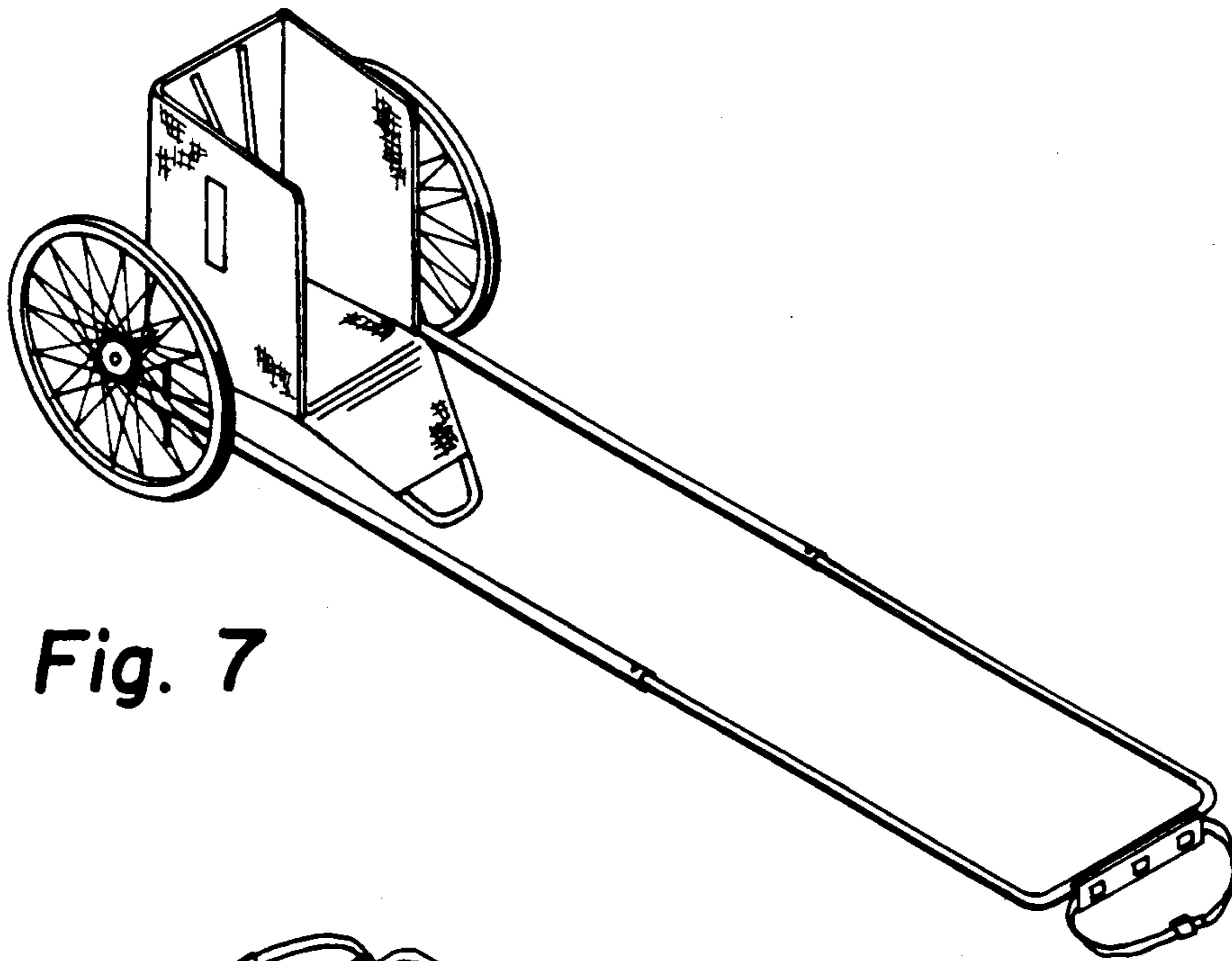
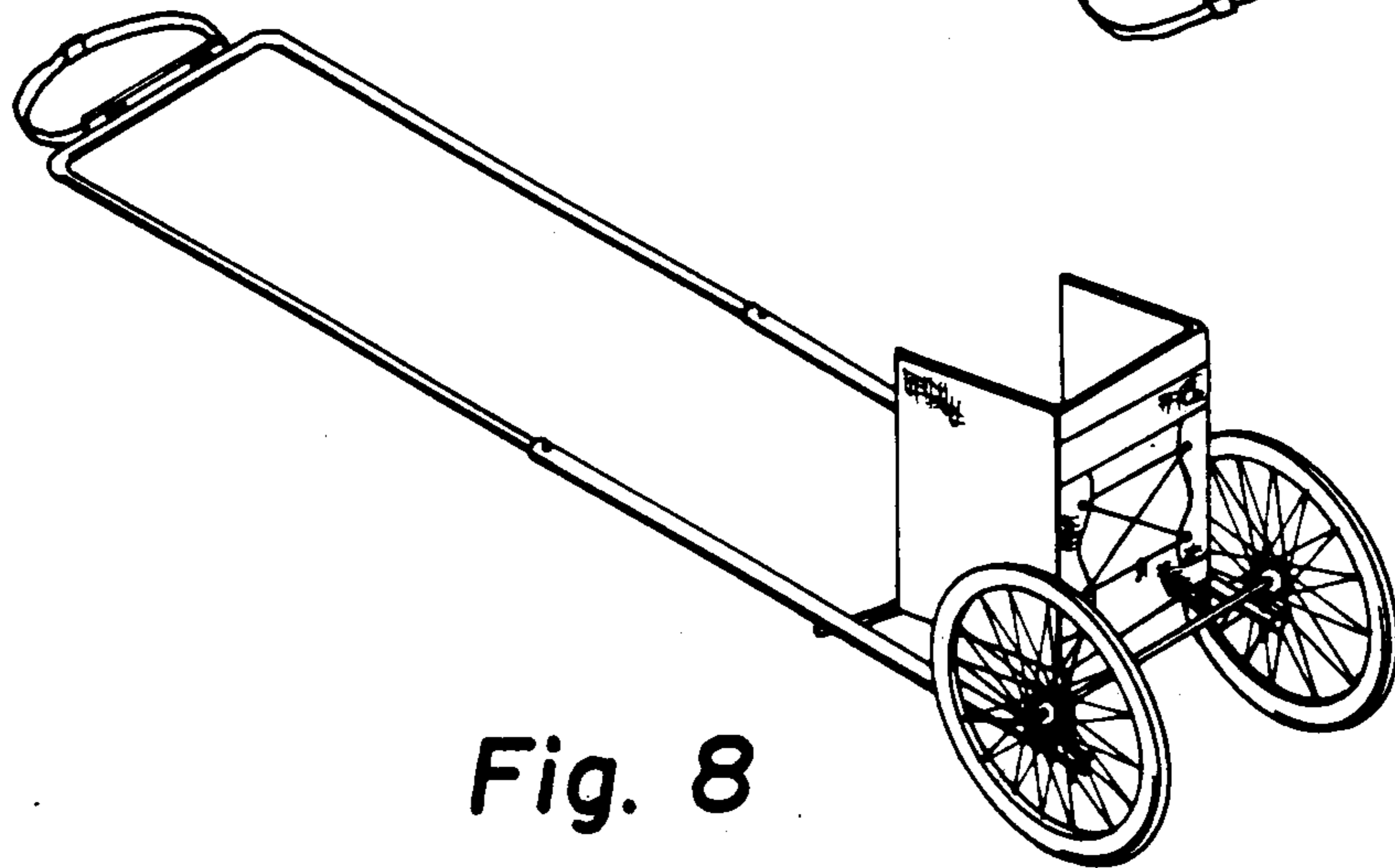


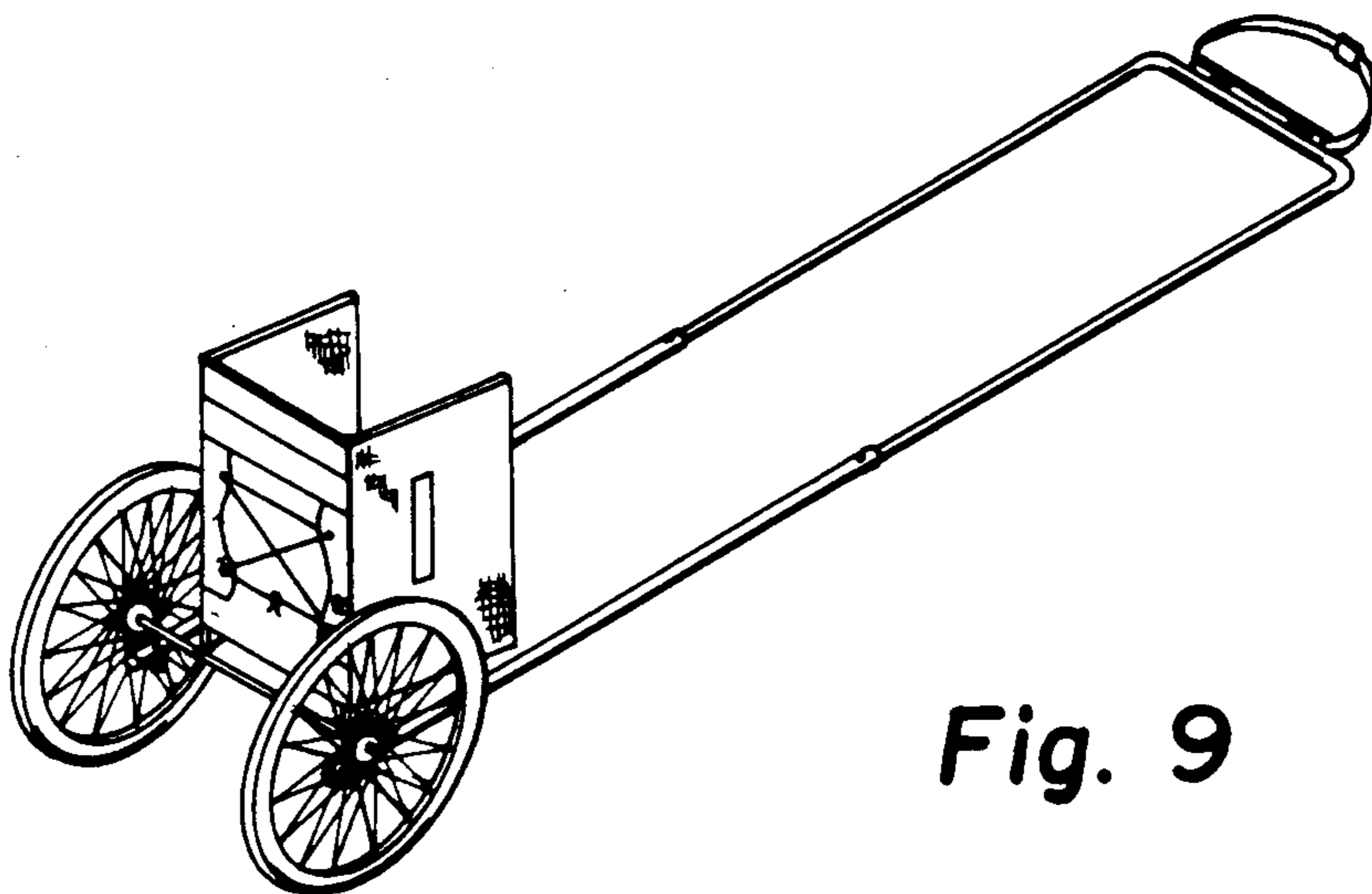
Fig. 6



**Fig. 7**



**Fig. 8**



**Fig. 9**