

[54] COMBINED RULER AND COMPASS

[76] Inventor: Billy D. Reynolds, 1225 Maple Springs Church Rd., Shelby, N.C. 28150

[**] Term: 14 Years

[21] Appl. No.: 203,861

[22] Filed: Jun. 8, 1988

[52] U.S. Cl. D10/70

[58] Field of Search D10/61, 62, 68, 70, D10/71, 74; D19/35, 38; 33/27.02, 27.03, 30.5, 483, 484, 485, 486, 487, 488, 489, 490, 491, 492, 493, 494; 346/8

[56] References Cited

U.S. PATENT DOCUMENTS

D. 251,252	3/1979	Kamila	D10/71 X
443,652	12/1890	Jewell	33/483
985,978	3/1911	Coxhead	33/27.03
1,282,020	10/1918	Anderson	33/27.03
2,658,278	11/1953	Debs	33/27.03 X
2,943,392	7/1960	Attridge	33/27.03 X
3,015,889	1/1962	Gobman	33/27.03

3,947,968 4/1976 Rosenheck D19/35 X

FOREIGN PATENT DOCUMENTS

2527950 6/1976 Fed. Rep. of Germany 33/27.03

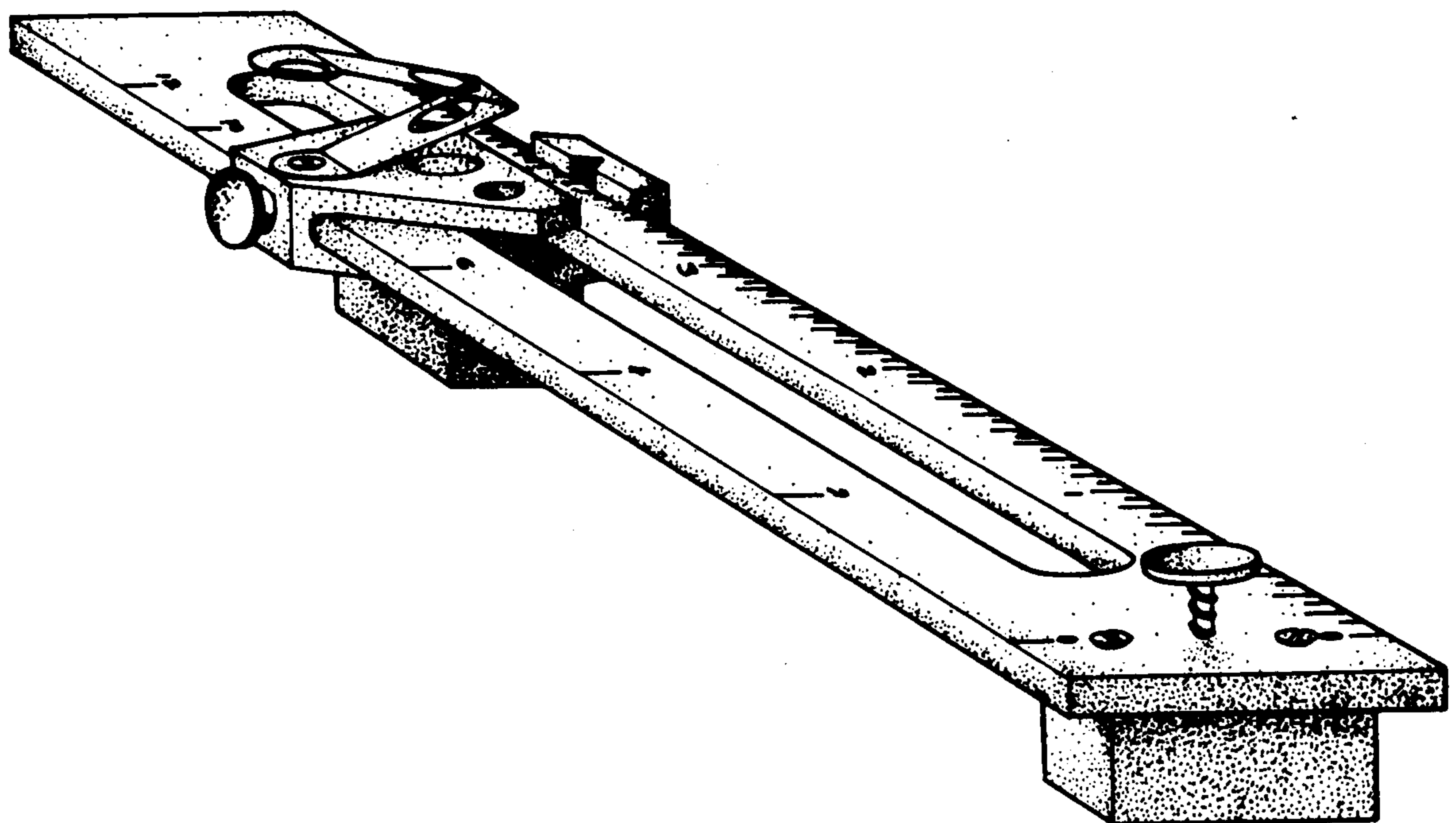
Primary Examiner—Nelson C. Holtje
Assistant Examiner—Antoine D. Davis
Attorney, Agent, or Firm—Rhodes, Coats & Bennett

[57] CLAIM

The ornamental design for a combined ruler and compass, as shown.

DESCRIPTION

FIG. 1 is a top, front, and right side perspective view of a combined ruler and compass showing my new design; FIG. 2 is a top plan view; FIG. 3 is a bottom plan view; FIG. 4 is a front elevational view; FIG. 5 is a rear elevational view; FIG. 6 is a left side elevational view; and FIG. 7 is a right side elevational view thereof. The dotted line representation of a pencil in FIGS. 2-7 is for environmental purposes only and forms no part of the claimed design.



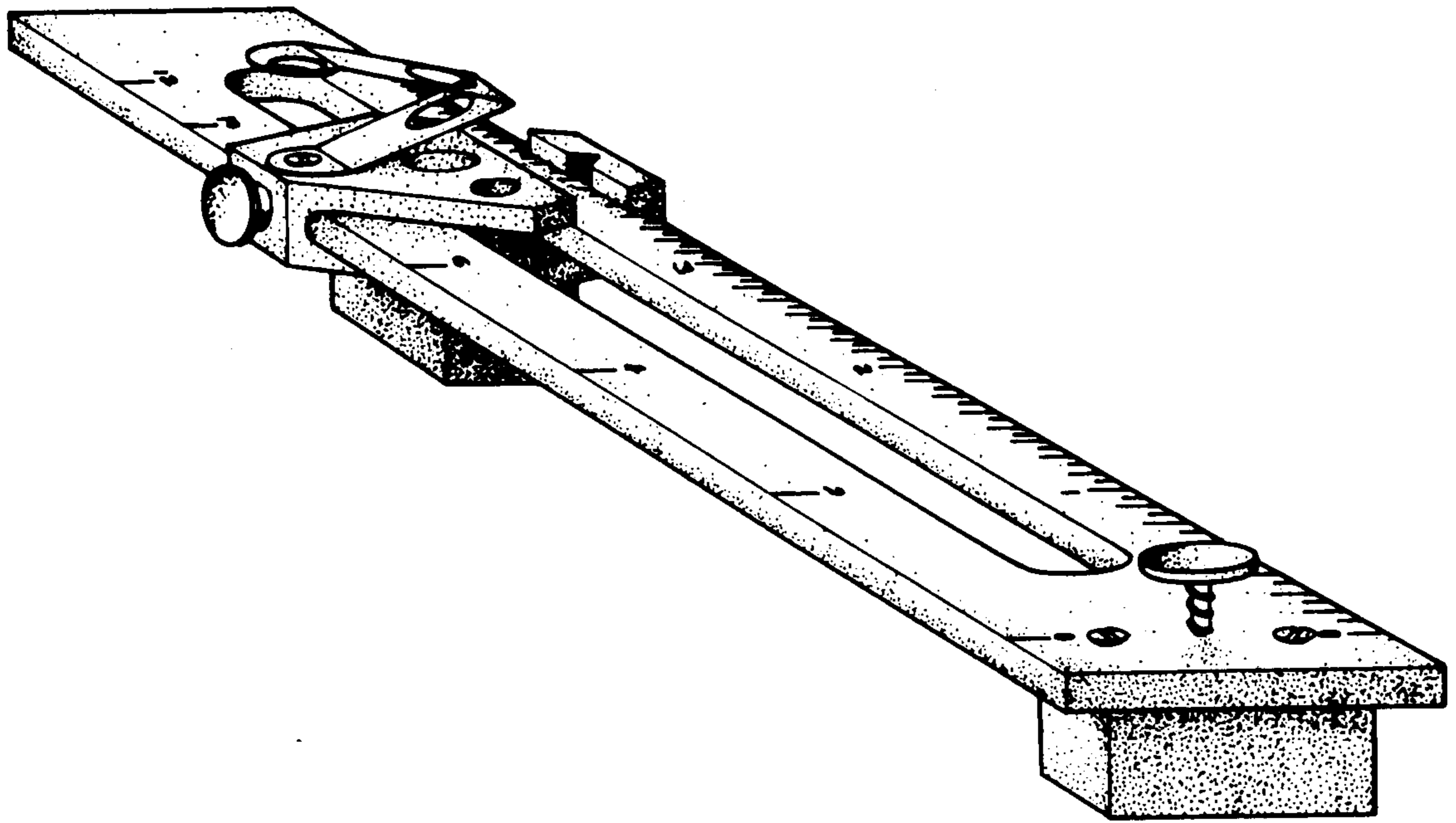


Fig. 1

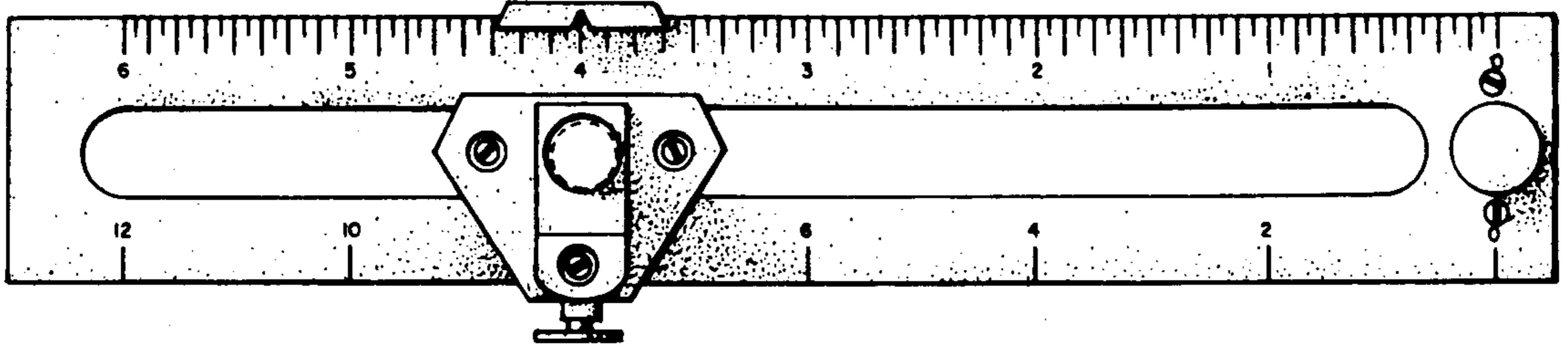


Fig. 2

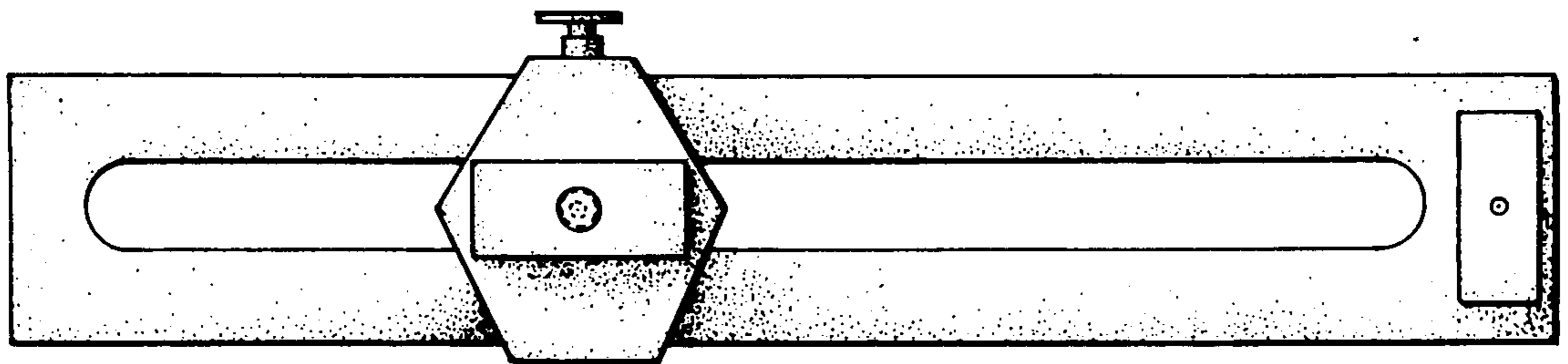


Fig. 3

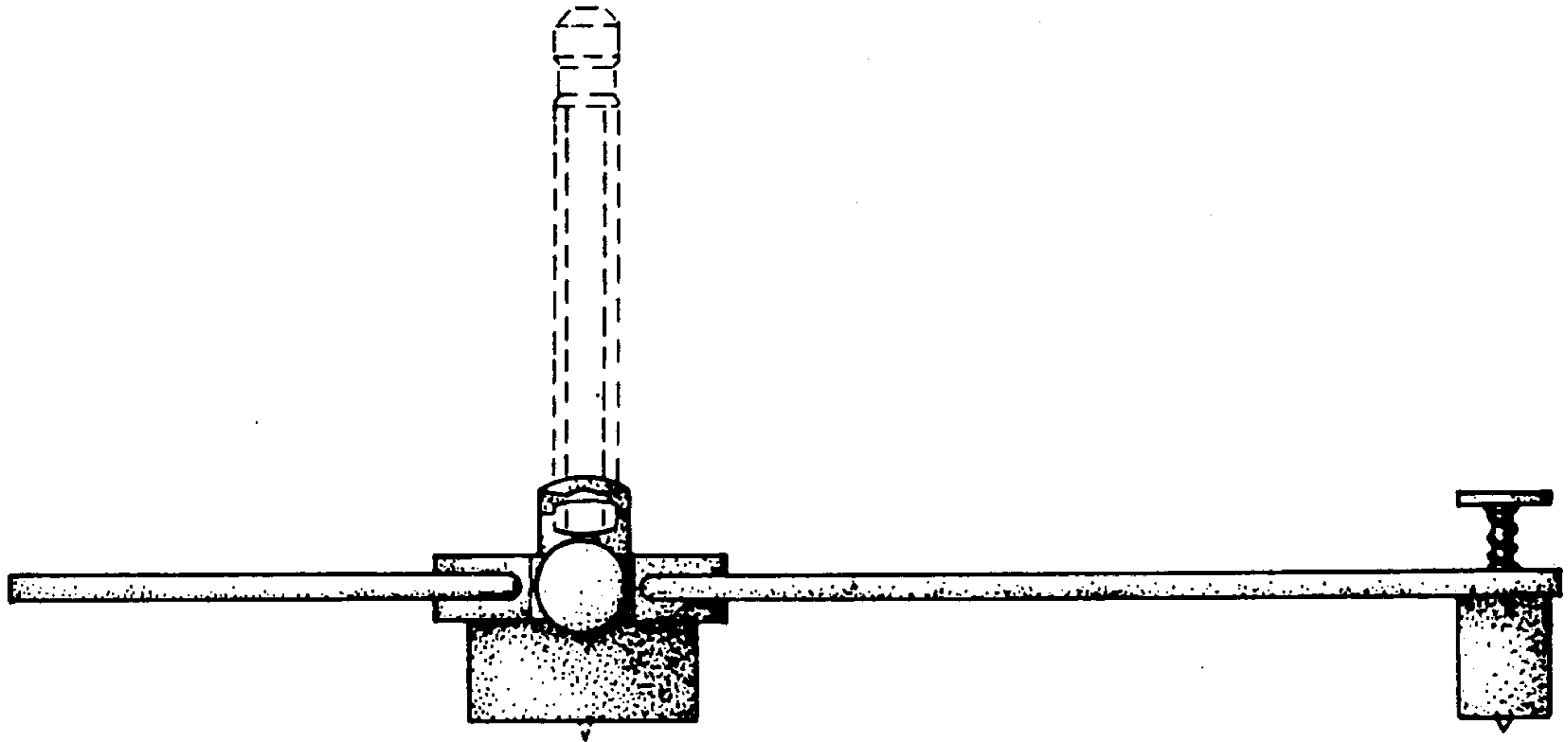


Fig. 4

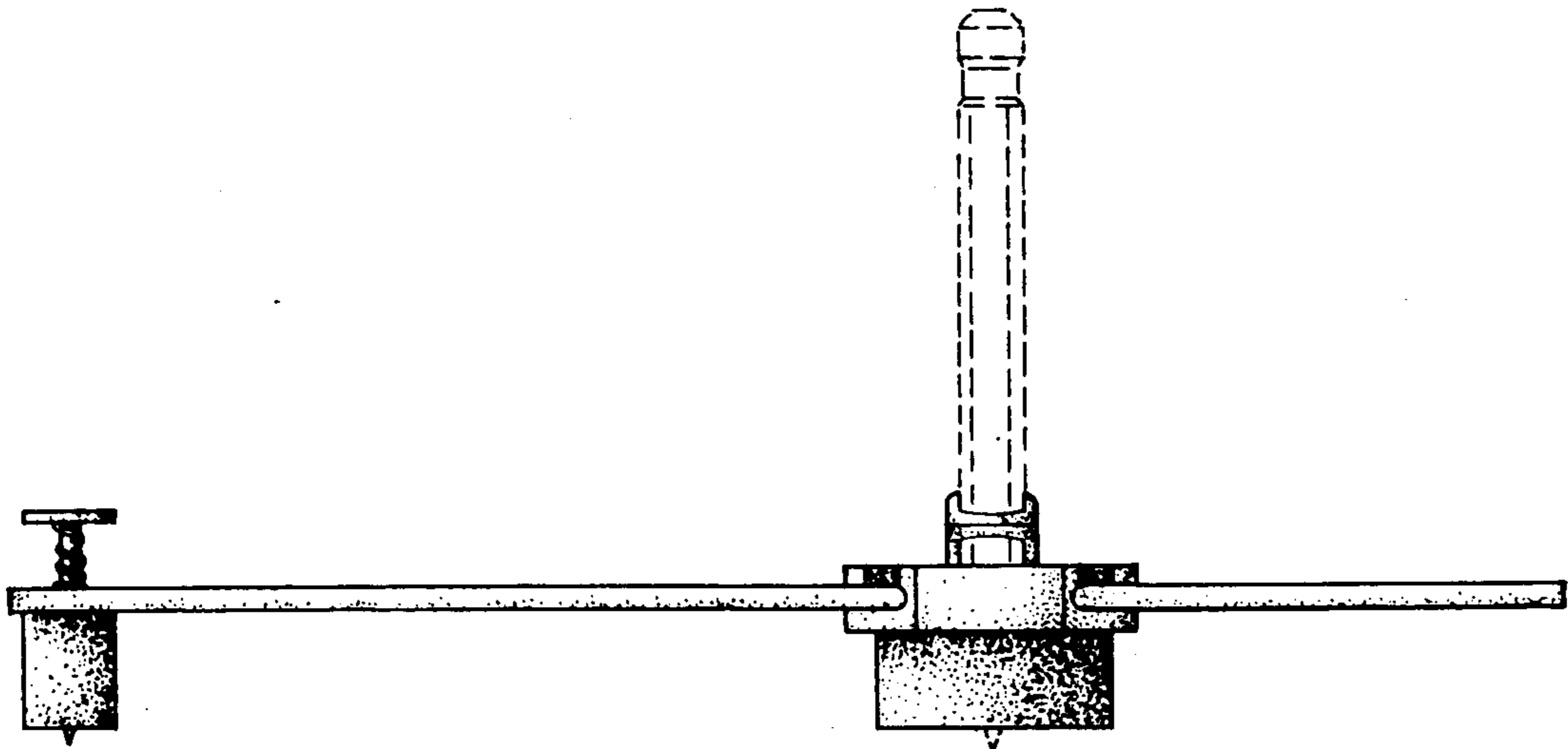


Fig. 5

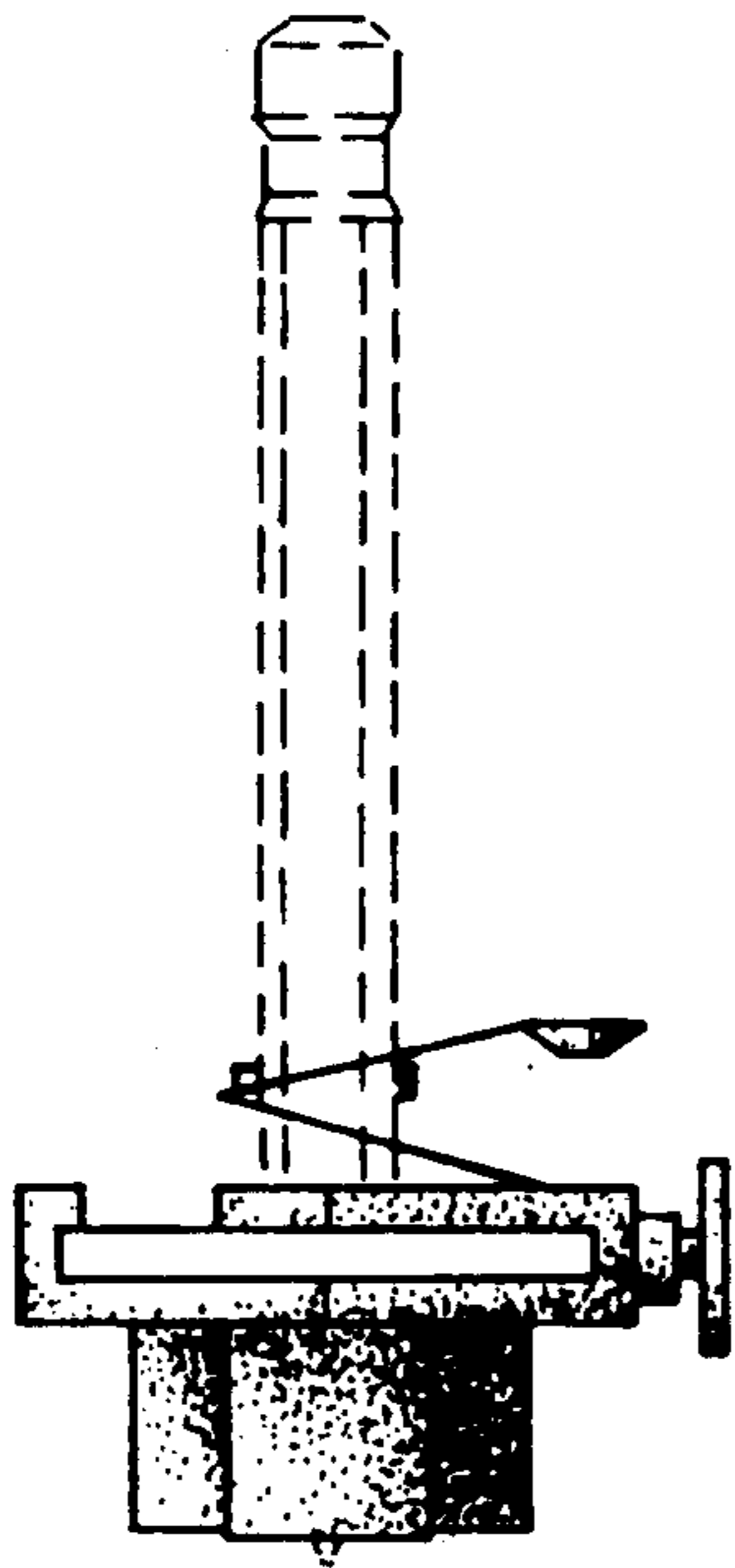


Fig. 6

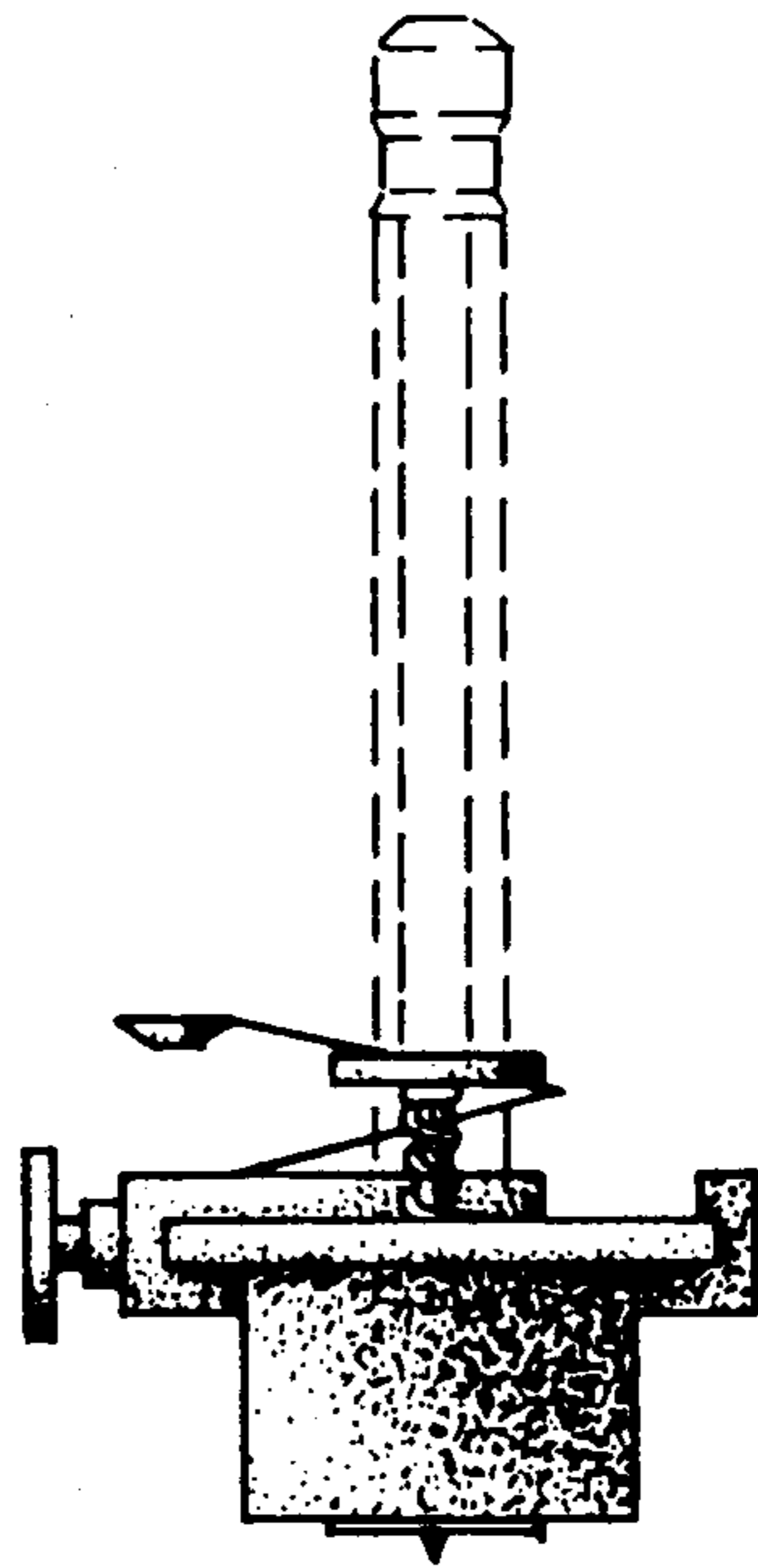


Fig. 7