

[54] RULER/MATHEMATICAL AID

[75] Inventors: Maureen T. Chesson, Winthrop; Phillipa G. Banks, Mount Pleasant, both of Australia

[73] Assignee: Aesthetic Holdings Pty Ltd., Pinjarra, Australia

[**] Term: 14 Years

[21] Appl. No.: 130,671

[22] Filed: Dec. 9, 1987

[30] Foreign Application Priority Data

Jun. 12, 1987 [AU] Australia 2036/87
[52] U.S. Cl. D10/62
[58] Field of Search D10/61, 62, 64, 70, D10/71, 74; 33/403, 485, 486, 487, 488, 489, 490, 491, 492, 493, 494, 552, 553, 554, 555, 556, 562, 563, 564, 565, 566, 567

[56] References Cited

U.S. PATENT DOCUMENTS

- D. 135,722 5/1943 Vetter D10/62
D. 137,459 3/1944 Colmery D10/62
D. 148,434 1/1948 Owen, Jr. D10/62
D. 207,794 5/1967 Cherrington D10/62
4,190,960 3/1980 Warner 33/403 X

FOREIGN PATENT DOCUMENTS

- 114750 2/1942 Australia 33/485
45155 8/1963 Australia .
50974 8/1967 Australia .
649815 1/1951 United Kingdom 33/485

OTHER PUBLICATIONS

Dietzgen, Protractor Scale and Rules, 1946, p. 275.
Visual Systems, Scales, 86/87, pp. 196, 195.

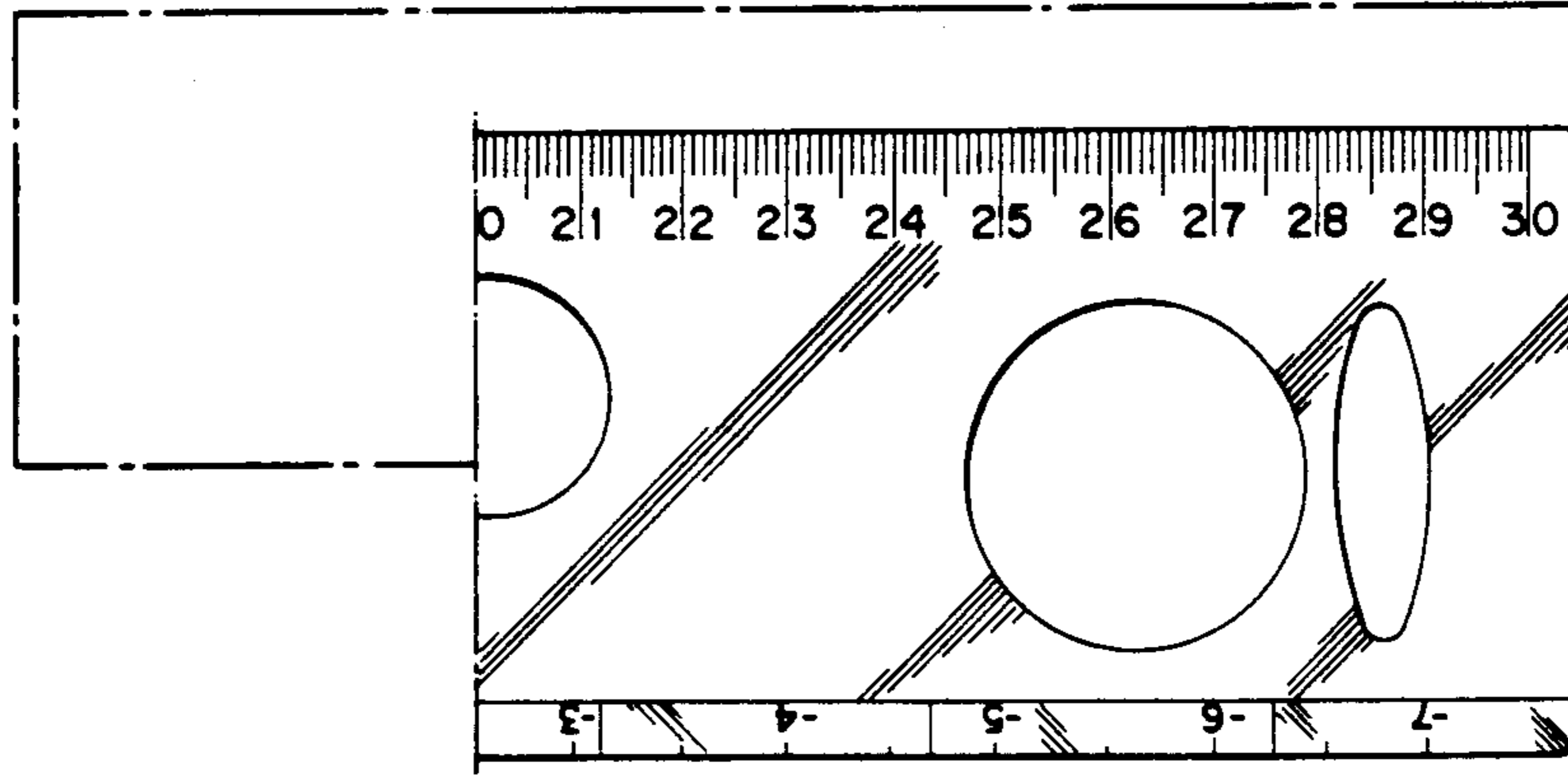
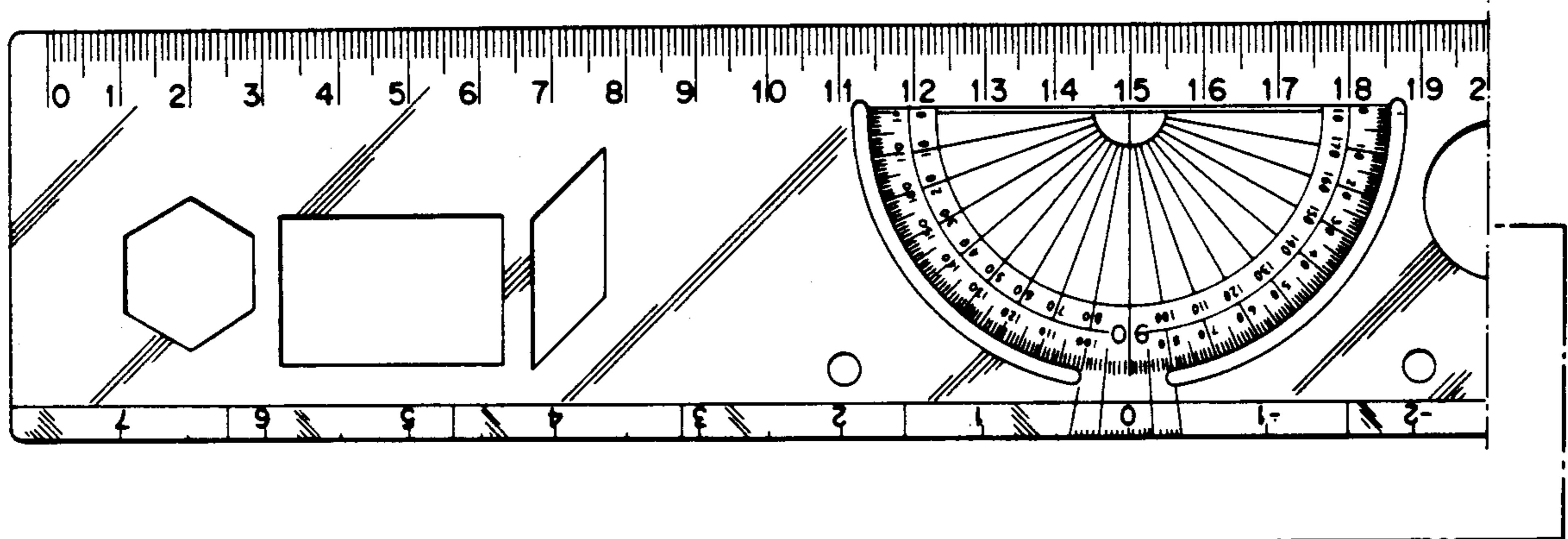
Primary Examiner—Nelson C. Holtje
Assistant Examiner—Antoine D. Davis
Attorney, Agent, or Firm—Gipple & Hale

[57] CLAIM

The ornamental design for a ruler/mathematical aid, as shown.

DESCRIPTION

FIG. 1 is a top plan view of a ruler/mathematical aid showing our new design;
FIG. 2 is a right side elevational view, the left side elevational view being identical;
FIG. 3 is a front elevational view, the rear elevational view being identical; and
FIG. 4 is a bottom plan view thereof.
FIG. 5 shows the bottom plan view with cutout shapes thereon which is identical to the top plan view in FIG. 1 and is flat and unornamented.



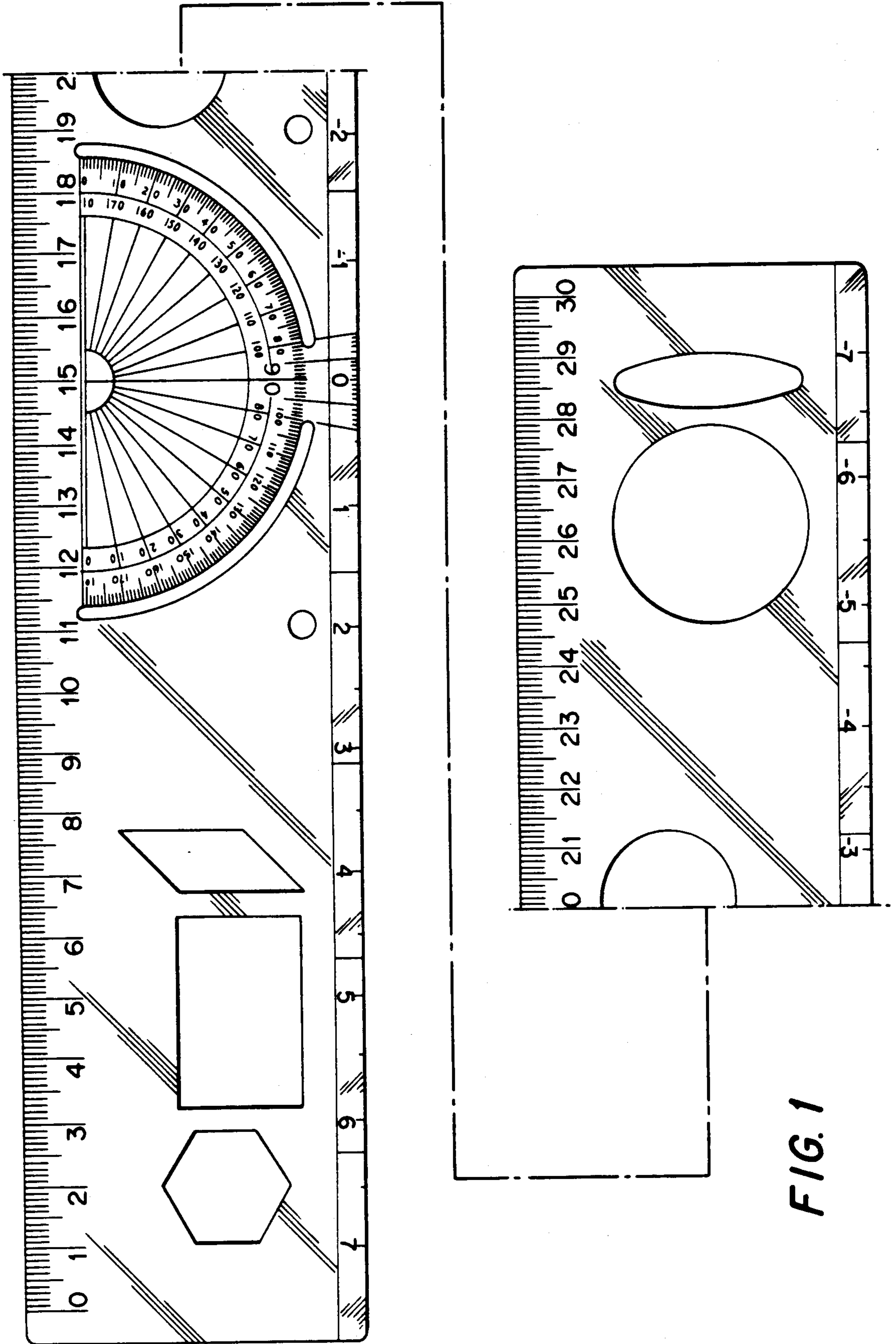


FIG. 1

FIG. 2



FIG. 3



FIG. 4

