

[54] **THERMOSTAT**

[75] **Inventors: Donald P. Kolbow; Richard B. Porter, both of Bloomington, Minn.**

[73] **Assignee: Honeywell Inc., Minneapolis, Minn.**

[**] **Term: 14 Years**

[21] **Appl. No.: 335,454**

[22] **Filed: Apr. 10, 1989**

[52] **U.S. Cl. D10/51**

[58] **Field of Search D10/49, 50, 51, 52, D10/53; 165/11.1, 12; 236/46 R, 47, 94; 324/133, 435; 337/112, 327, 360, 380, 381, 414; 364/557; 62/125, 126; 73/431; 374/158, 208; 116/306, 206, DIG. 1**

[56] **References Cited**

U.S. PATENT DOCUMENTS

D. 166,538	4/1952	Hughes et al.	D10/50
D. 172,499	6/1954	Greene	D10/51
D. 180,598	7/1957	Hughes, Jr. et al.	D10/51
D. 210,803	4/1968	Hill	D10/50
D. 228,468	9/1973	Wolfe	D52/7 R
D. 249,476	9/1973	Kolbow	D10/60
D. 254,052	1/1980	Wolfe	D10/51
D. 255,103	5/1980	Wolfe	D10/51
D. 256,335	8/1980	Pasquarette	D10/50
D. 256,336	8/1980	Odom et al.	D10/51
D. 270,815	10/1983	Odom	D10/50

D. 271,086	10/1983	Odom	D10/50
D. 288,785	3/1987	Levine	D10/60
4,264,034	4/1981	Hyltin et al.	D10/50 X
4,374,541	2/1983	Hoberman	D10/50 X
4,621,336	11/1986	Brown	D10/50 X

OTHER PUBLICATIONS

Hardware Age, Quartz Thermostat, 1/1983, p. 57.
 The Honeywell Spectrum, Various Thermostats, 10/1986, throughout the brochure.
 Honeywell, Heat Pump Thermostats, cover, 6/1986.

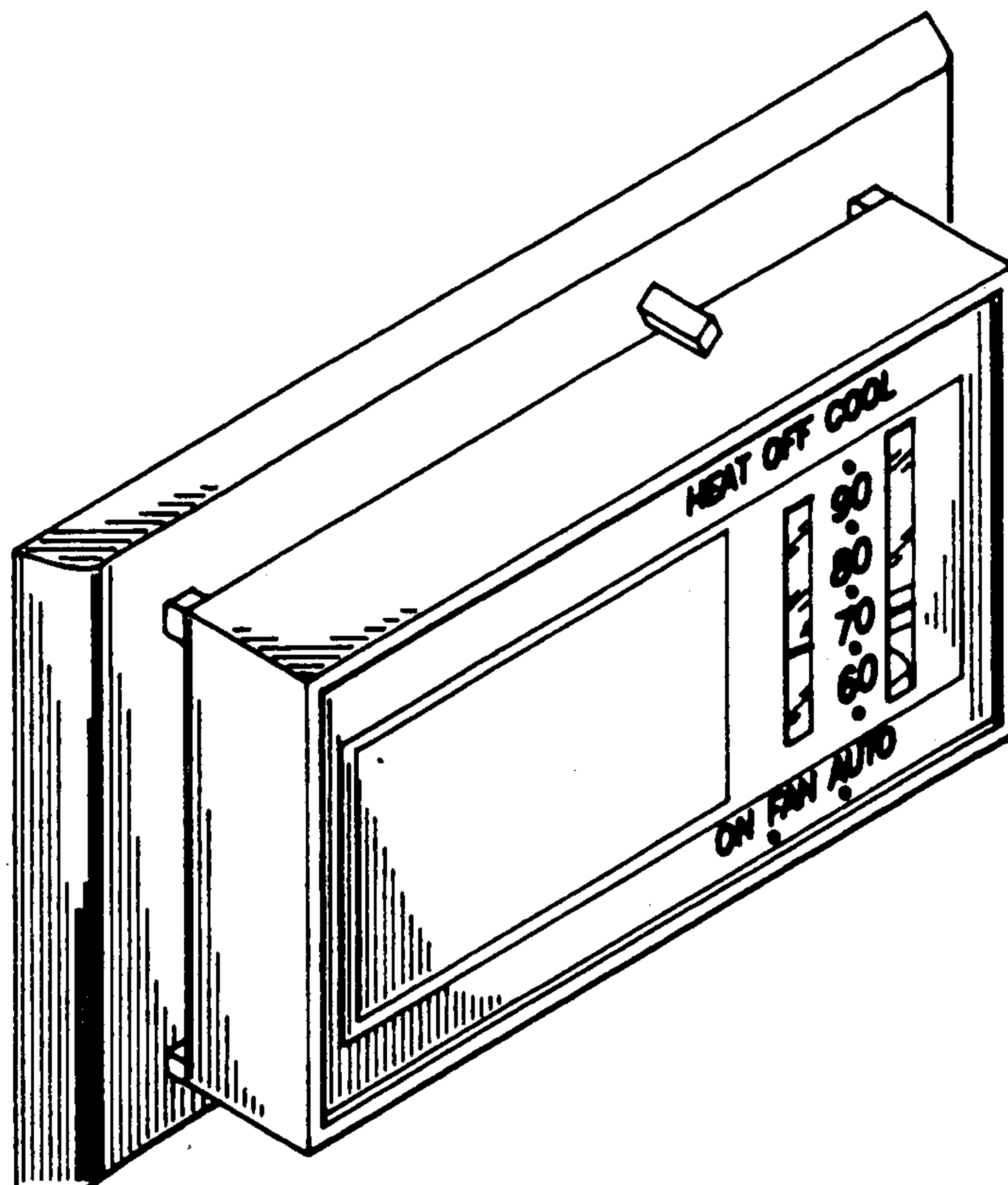
Primary Examiner—Nelson C. Holtje
Assistant Examiner—Antoine D. Davis
Attorney, Agent, or Firm—Edward Schwarz

[57] **CLAIM**

The ornamental design for a thermostat, as shown and described.

DESCRIPTION

FIG. 1 is a top, front and left side perspective view of a thermostat showing our new design;
 FIG. 2 is a front elevational view;
 FIG. 3 is a right side elevational view;
 FIG. 4 is a top plan view;
 FIG. 5 is a front elevational view of another embodiment of our new design of FIGS. 1-5; and
 FIG. 6 is a top, front and left side perspective view thereof, the rear of both embodiments, not shown, is substantially plain and unornamented.



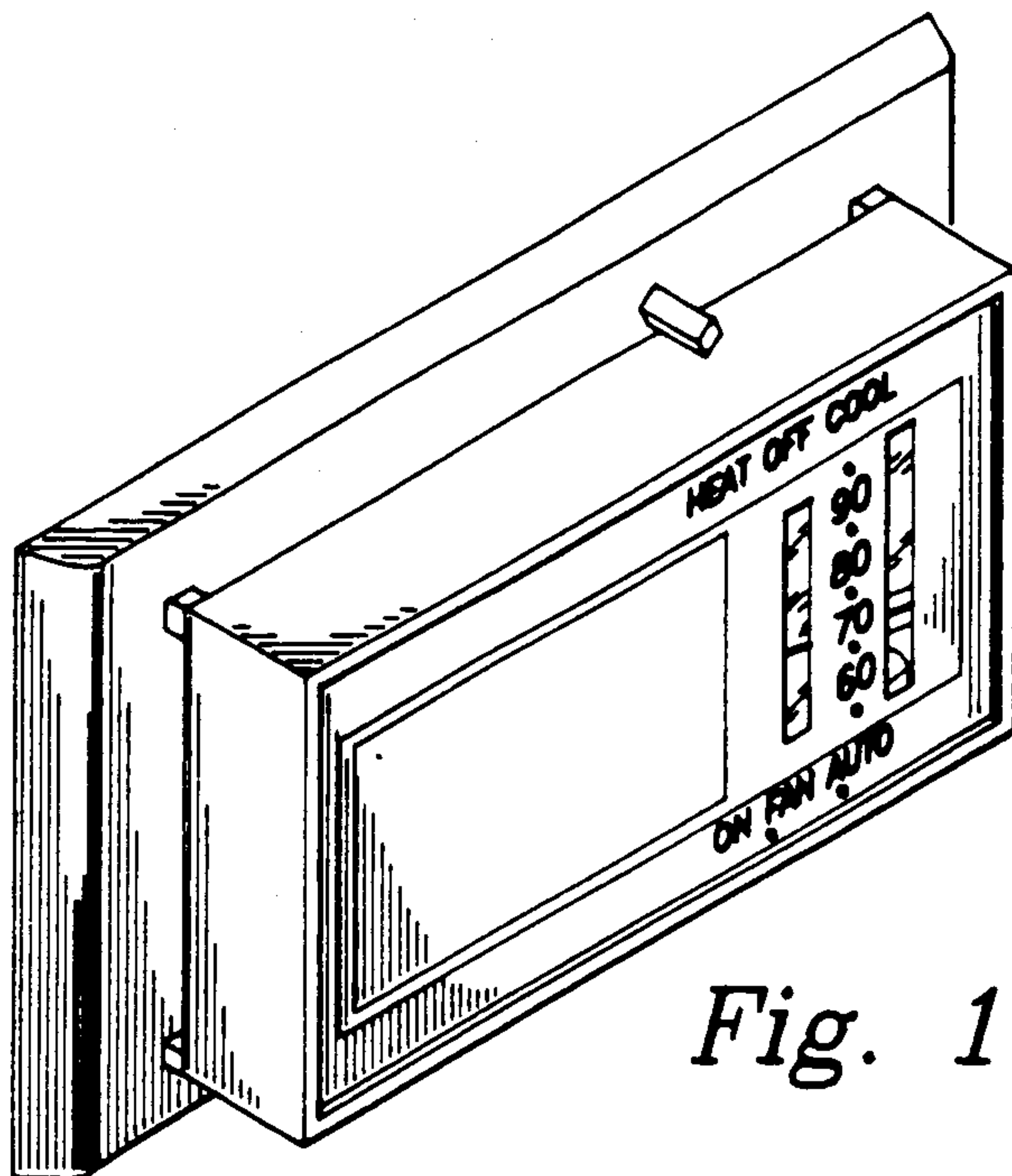


Fig. 1

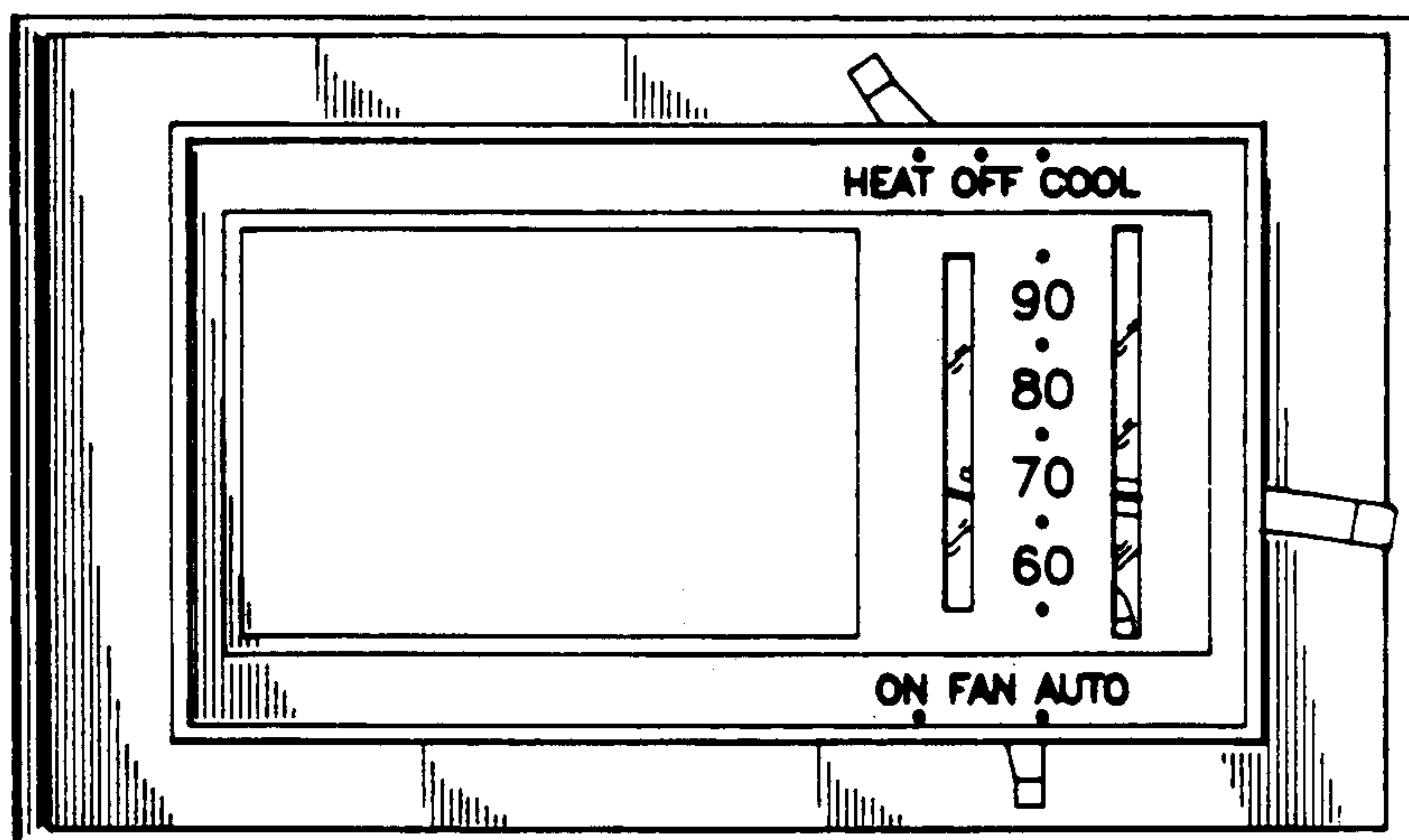


Fig. 2

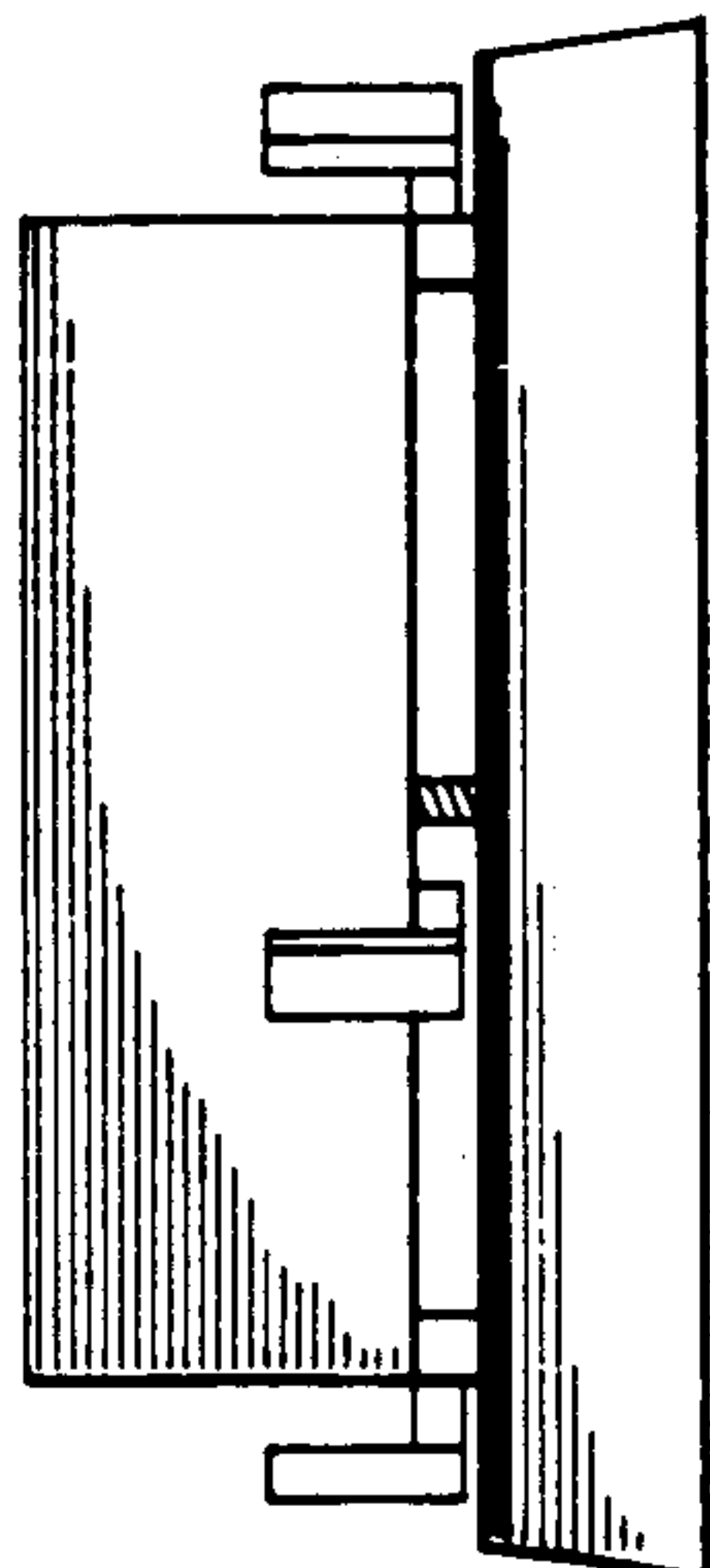


Fig. 3

Fig. 4

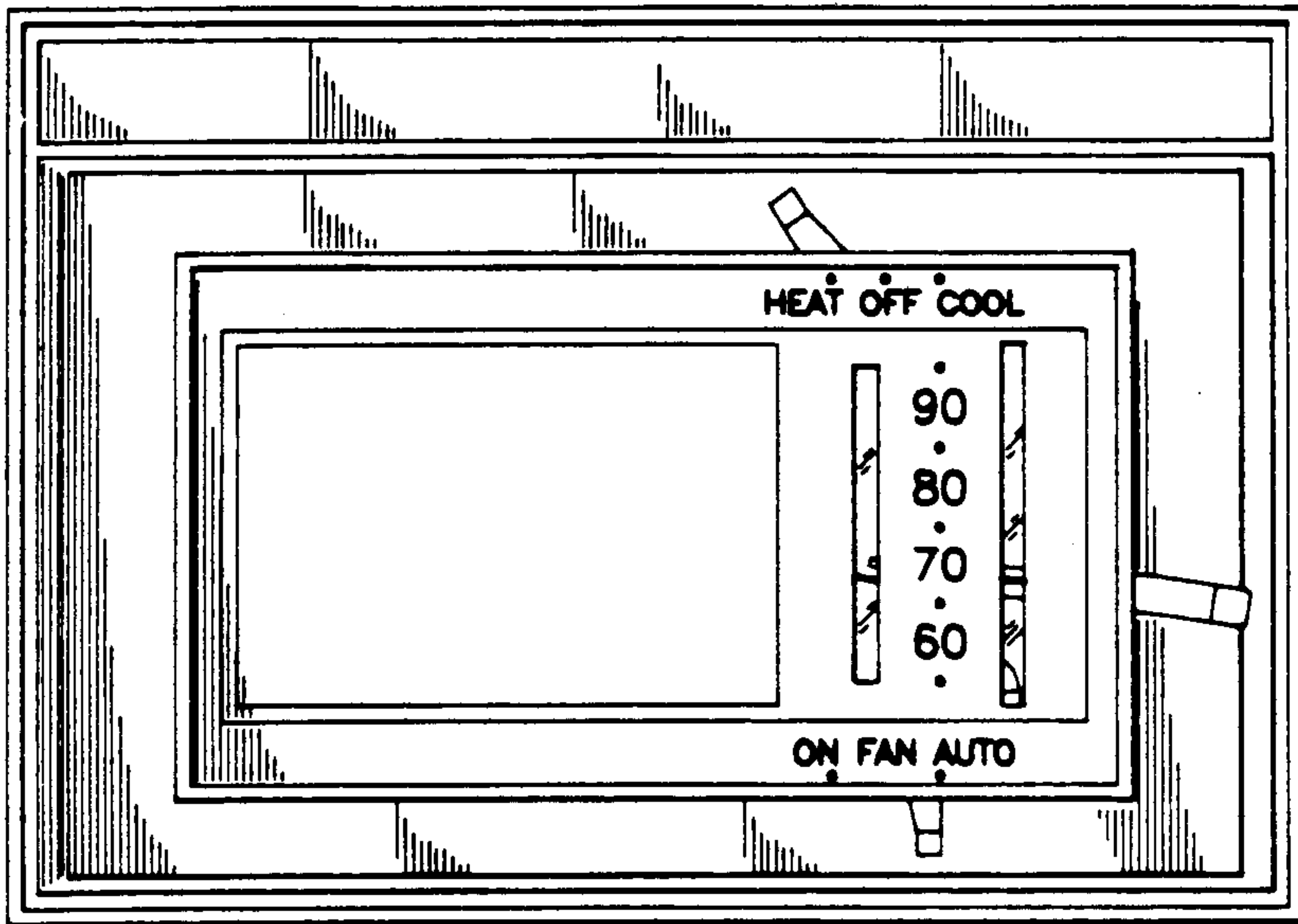
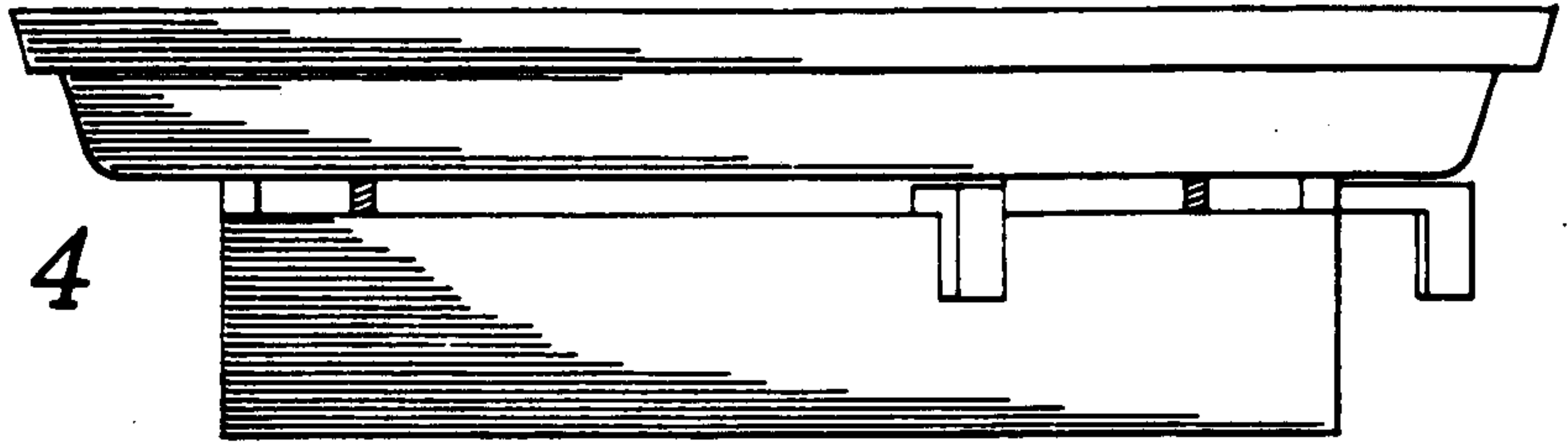


Fig. 5

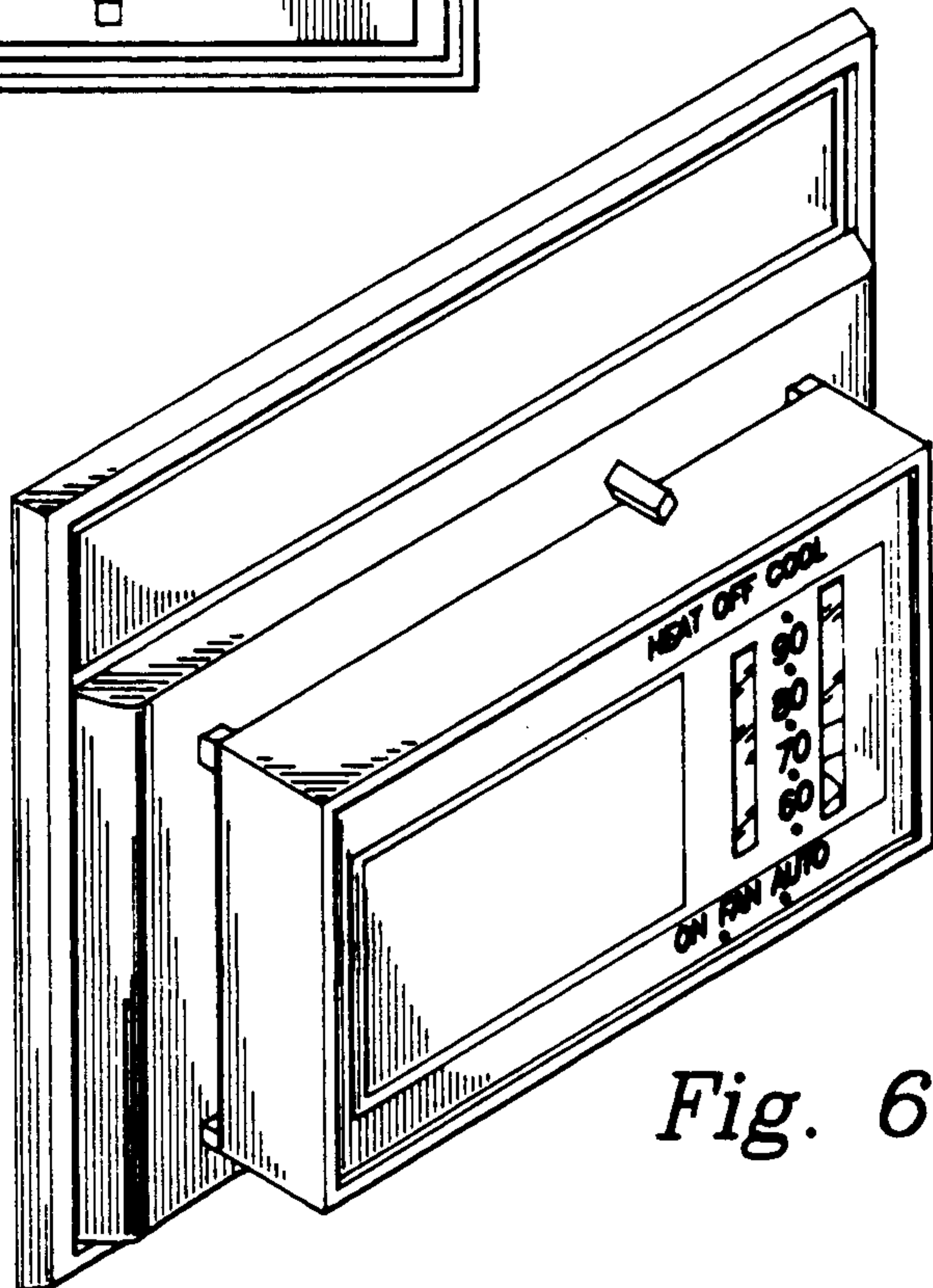


Fig. 6