

[54] CHART DRIVE

[75] Inventors: Thomas R. Comerford, Cincinnati; Hubert F. Yeary, Newtown, both of Ohio

[73] Assignee: Mercury Instruments, Inc., Cincinnati, Ohio

[**] Term: 14 Years

[21] Appl. No.: 253,750

[22] Filed: Oct. 5, 1988

[52] U.S. Cl. D10/46

[58] Field of Search D10/46; 70/266, 272, 70/273; 74/421 A; 200/35 R; 346/18, 22, 34, 36, 134, 135, 136, 137, 138, 139 R, 139 A; 368/1, 109, 318

[56] References Cited

U.S. PATENT DOCUMENTS

2,670,794	2/1954	Gallagher	368/109
2,932,701	4/1960	Horstmann	200/35 R
3,064,261	11/1962	Maeder	346/157
3,205,502	9/1965	Chatelain et al.	346/18
3,422,695	6/1966	Wilson et al.	
4,760,219	7/1988	Daniell et al.	200/35 R
4,866,224	9/1989	Malone	200/35 R

OTHER PUBLICATIONS

Brochure—"Model 98 Multi-speed Battery operated Chart Drive".

Brochure—"Model 99 Battery operated Chart Drive".
General Catalog—Mercury Instruments, Inc.
General Catalog—870-R.

Catalog 99-2 (4 pgs.) "Model 99 Battery operated Chart Drive".

Sonceboz—(2 pg. brochure) "Type 720 Test"—Quartz Controlled Battery operated Chart Drive with Programmer.

Reynold Equipment Company—Quartz Chart Drive.

Primary Examiner—Nelson C. Holtje

Assistant Examiner—Antoine D. Davis

Attorney, Agent, or Firm—Wood, Herron & Evans

[57] CLAIM

The ornamental design for a chart drive, as shown.

DESCRIPTION

FIG. 1 is a bottom, front, and right side perspective view of a chart drive showing my new design, the dotted or broken line showing of a typical chart is for illustrative purpose only and forms no part of the claimed design;

FIG. 2 is a front elevational view;

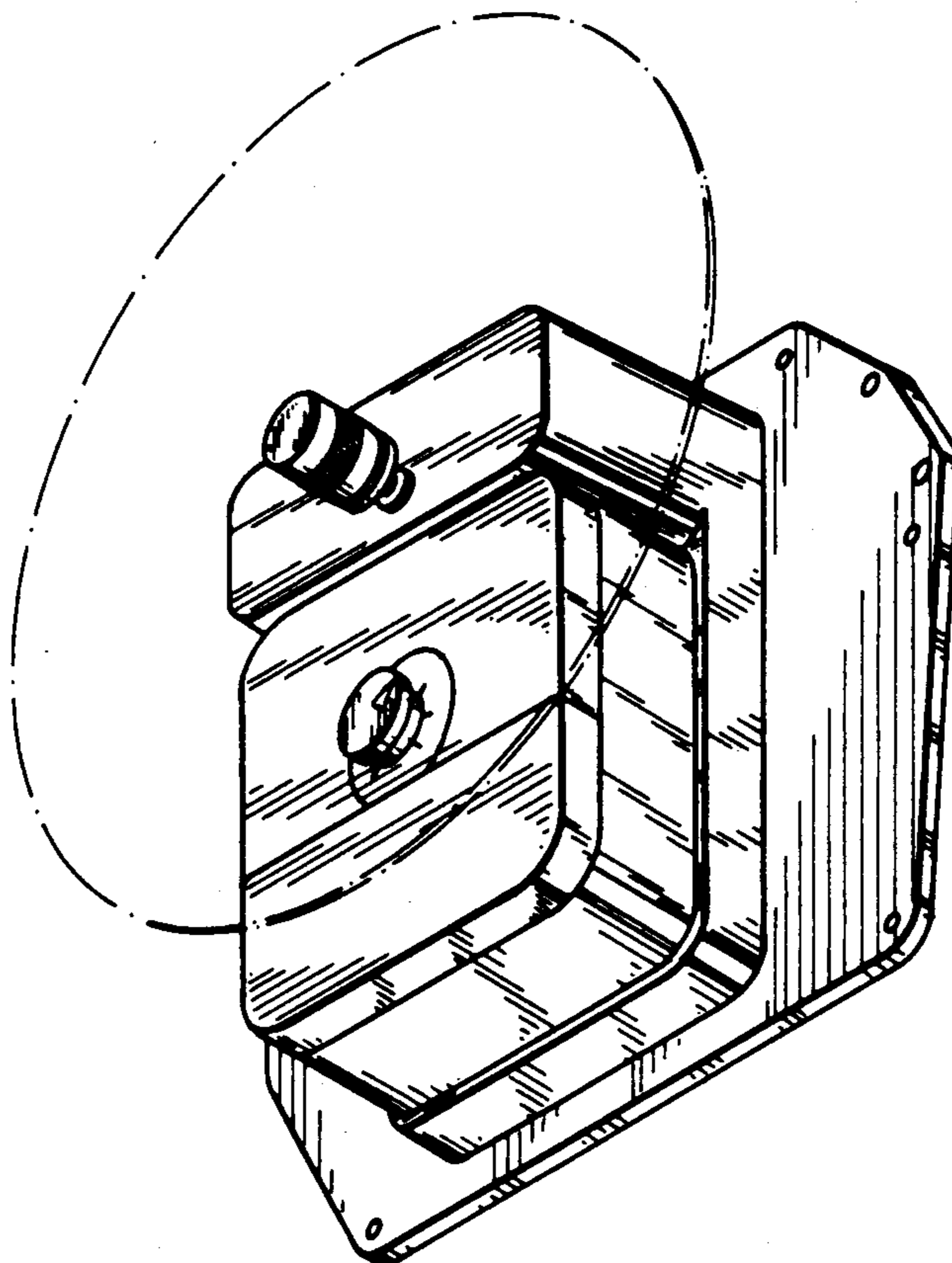
FIG. 3 is a left side elevational view;

FIG. 4 is a right side elevational view;

FIG. 5 is a top plan view;

FIG. 6 is a bottom plan view; and

FIG. 7 is a rear elevational view thereof.



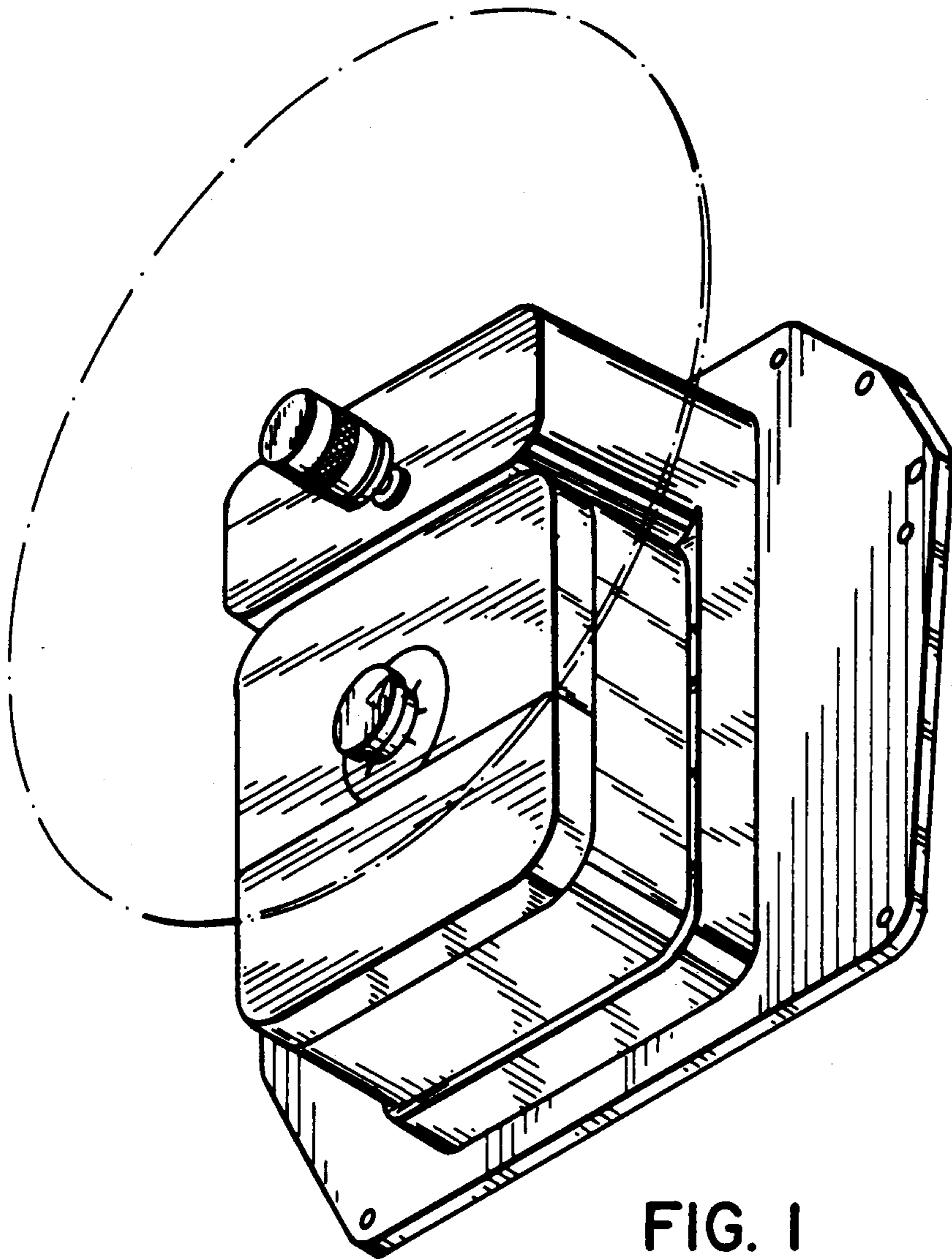


FIG. 1

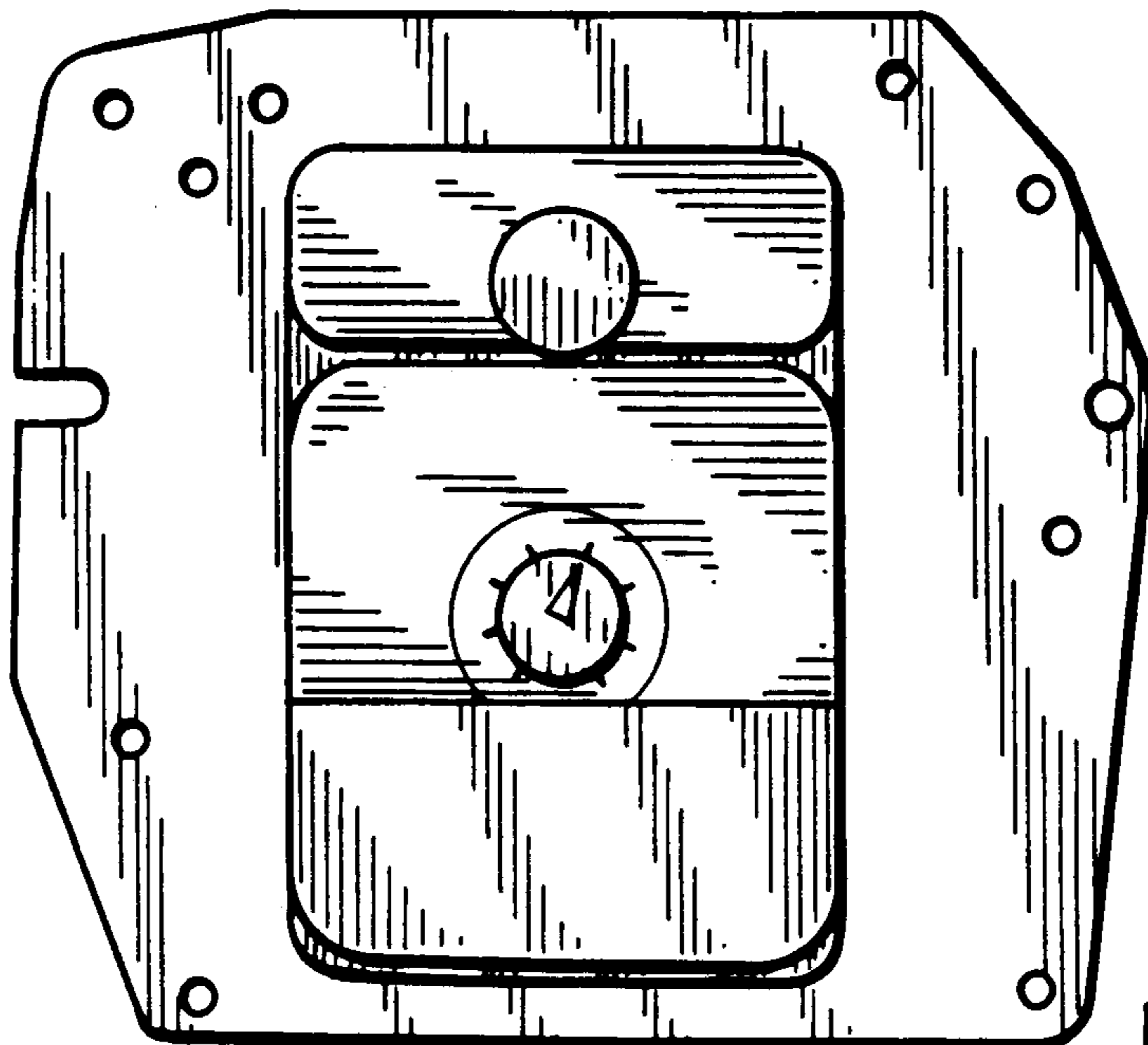


FIG. 2

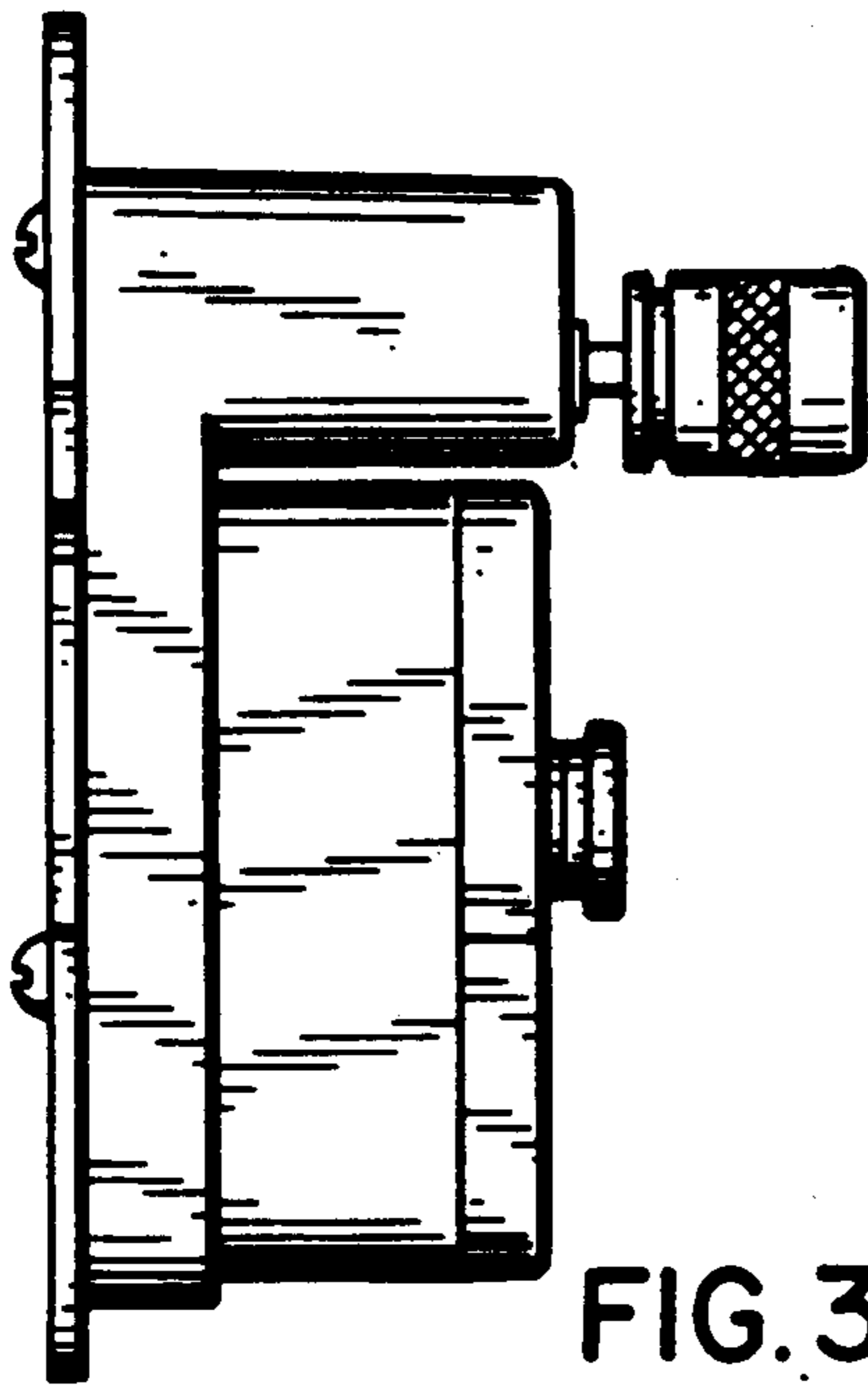


FIG. 3

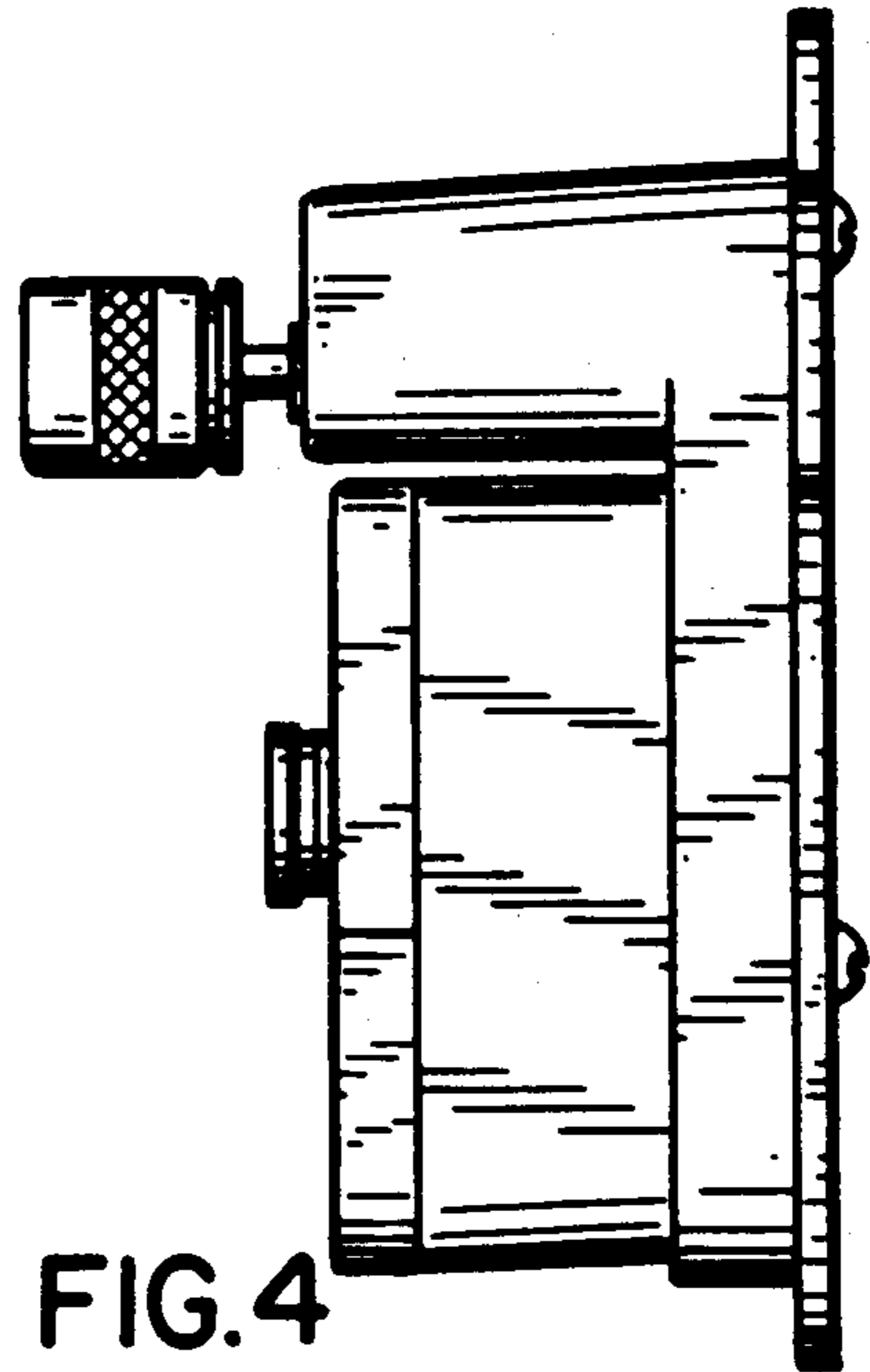


FIG. 4

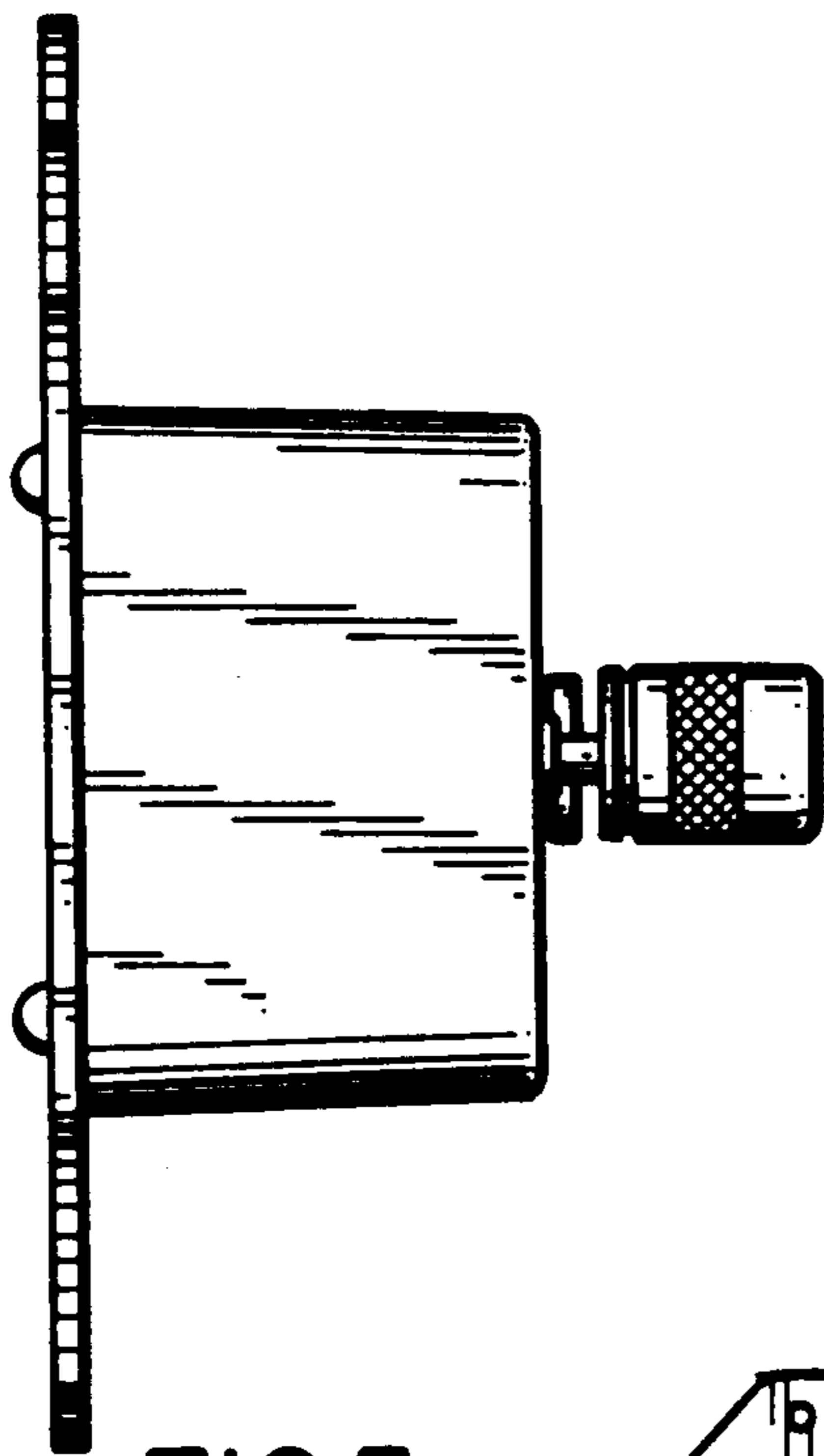


FIG. 5

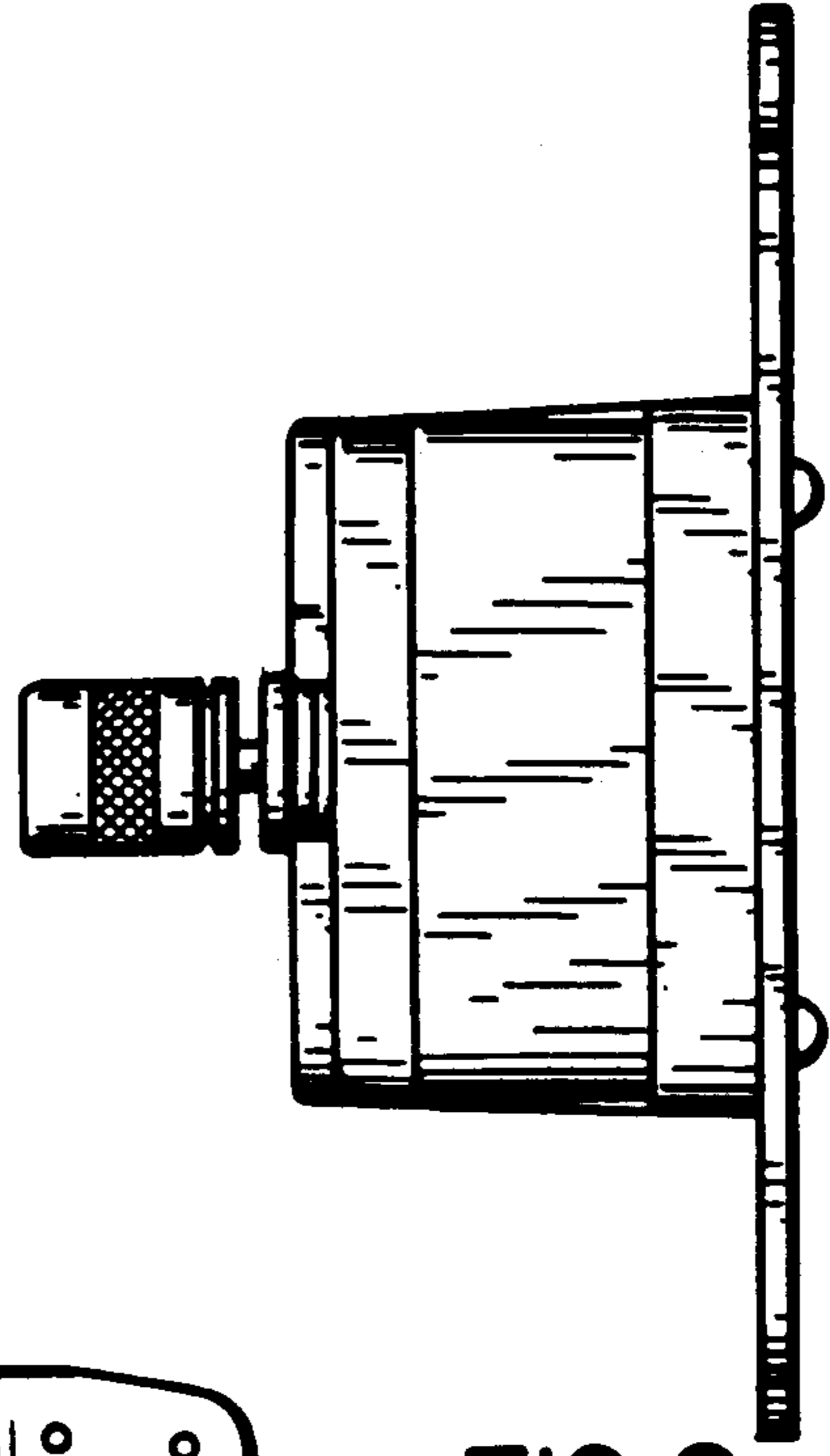


FIG. 6

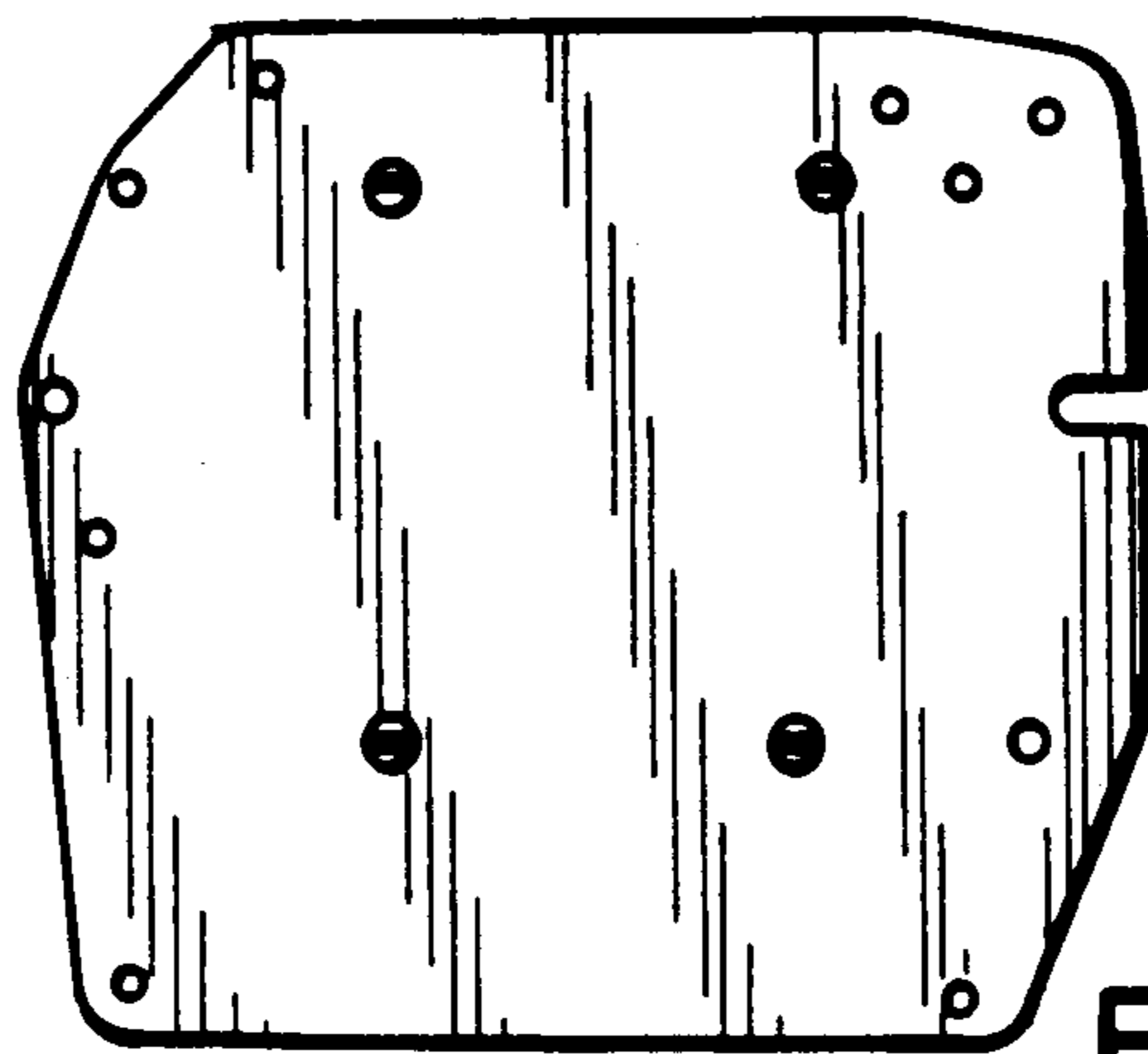


FIG. 7