

[54] HOUSING FOR A CURRENT TO PRESSURE TRANSMITTER

[75] Inventors: Gregory C. Brown; John H. Nash, both of Minnetonka, Minn.

[73] Assignee: Rosemount Inc., Eden Prairie, Minn.

[**] Term: 14 Years

[21] Appl. No.: 93,471

[22] Filed: Sep. 4, 1987

[52] U.S. Cl. D10/46; D23/235; D10/103

[58] Field of Search D10/46, 83, 85, 94, D10/103; 137/83, 84, 82, 85; 73/717-722, 756

[56] References Cited

U.S. PATENT DOCUMENTS

D. 287,827	1/1987	Broden	D10/46
D. 297,314	8/1988	Hedtke	D10/46
D. 297,315	8/1988	Pierce et al.	D10/85
3,618,390	11/1971	Frick	73/718
4,165,651	8/1979	Olsen et al.	73/704
4,172,388	10/1979	Gabrielson	73/721

4,414,851	11/1983	Maglic	73/756
4,466,290	8/1984	Frick	73/756
4,653,330	3/1987	Hedtke	73/756
4,665,938	5/1987	Brown et al.	137/85
4,760,859	8/1988	Brown	137/84

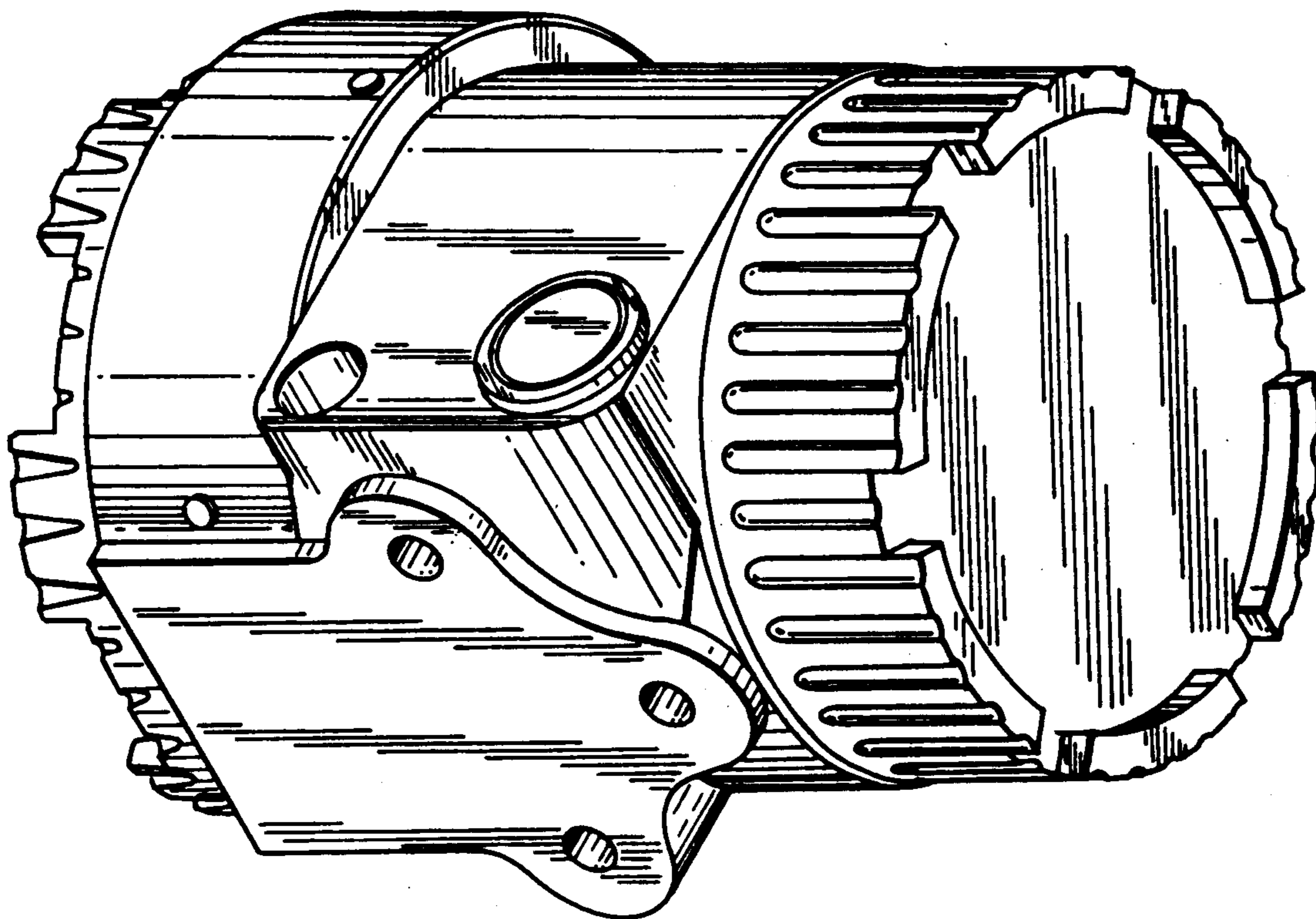
Primary Examiner—James R. Lergen
Assistant Examiner—Demetrius Reynolds
Attorney, Agent, or Firm—Kinney & Lange

[57] CLAIM

The ornamental design for a housing for a current to pressure transmitter, as shown and described.

DESCRIPTION

FIG. 1 is a top plan view of a housing for a current to pressure transmitter;
FIG. 2 is a right side elevational view thereof;
FIG. 3 is a bottom view thereof;
FIG. 4 is a front elevational view thereof;
FIG. 5 is a rear elevational view thereof;
FIG. 6 is a left side elevational view thereof;
FIG. 7 is a perspective view taken from the bottom, rear and right side thereof; and
FIG. 8 is a perspective view taken from the top, rear and left side thereof.



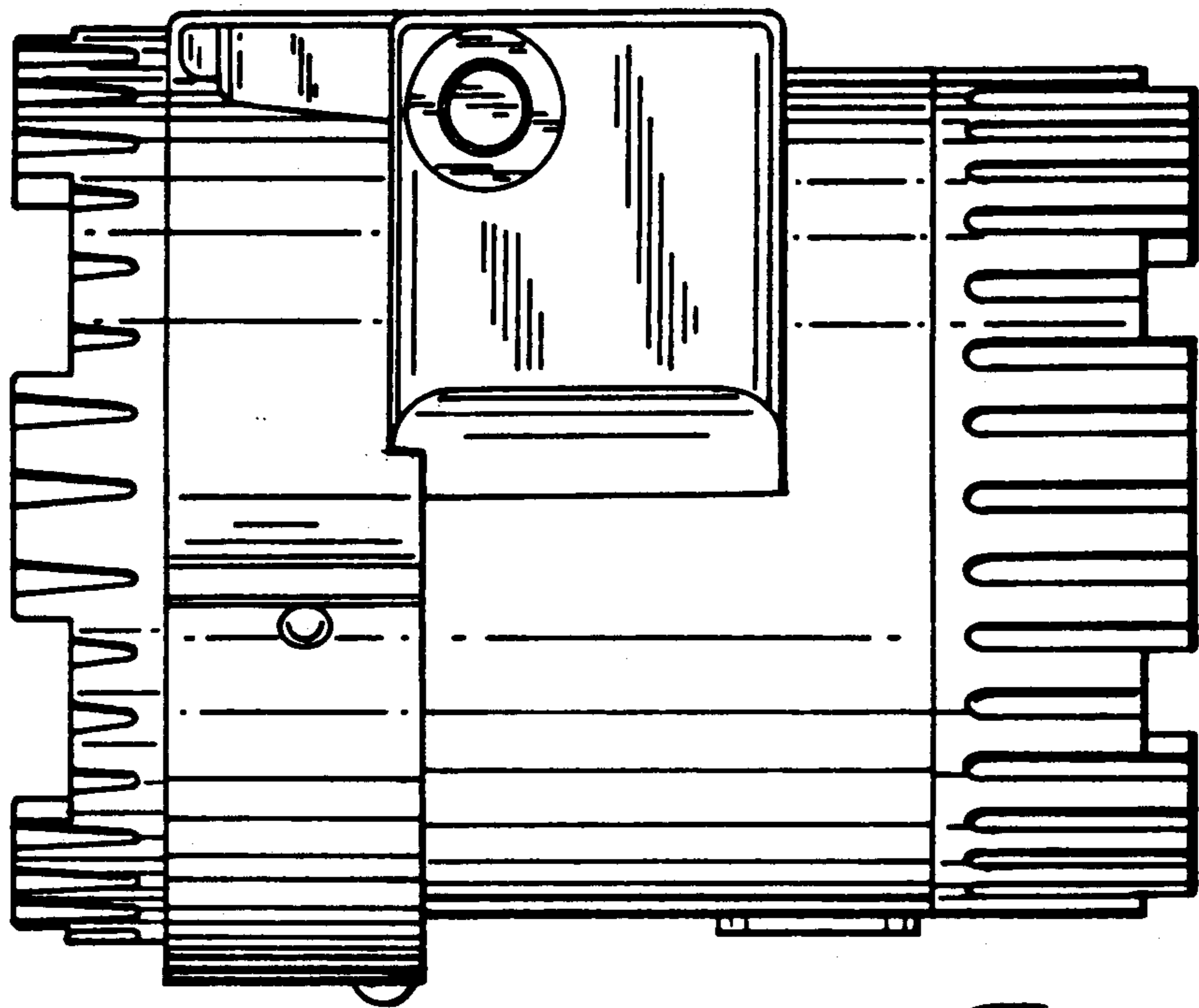


Fig. 1

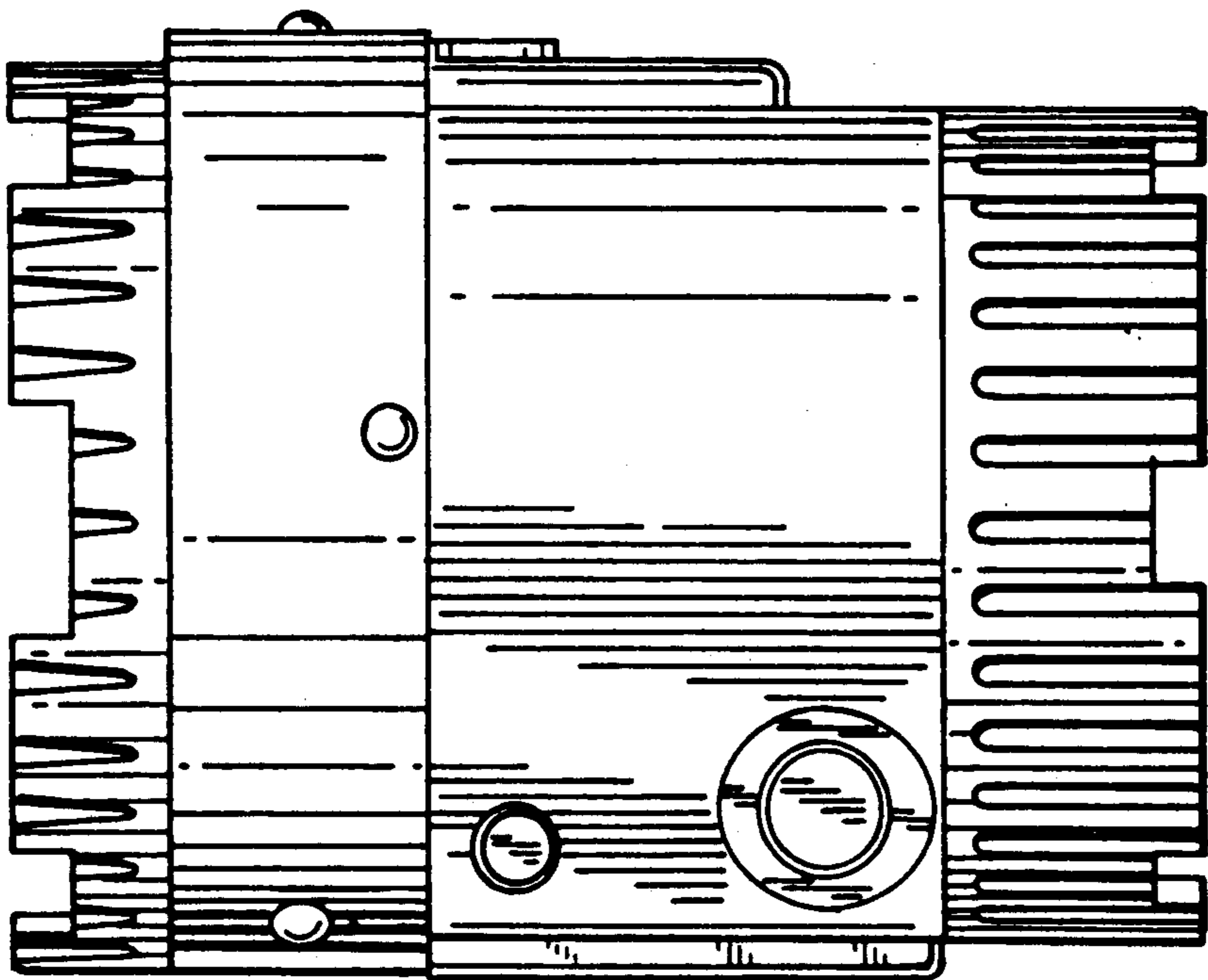


Fig. 2

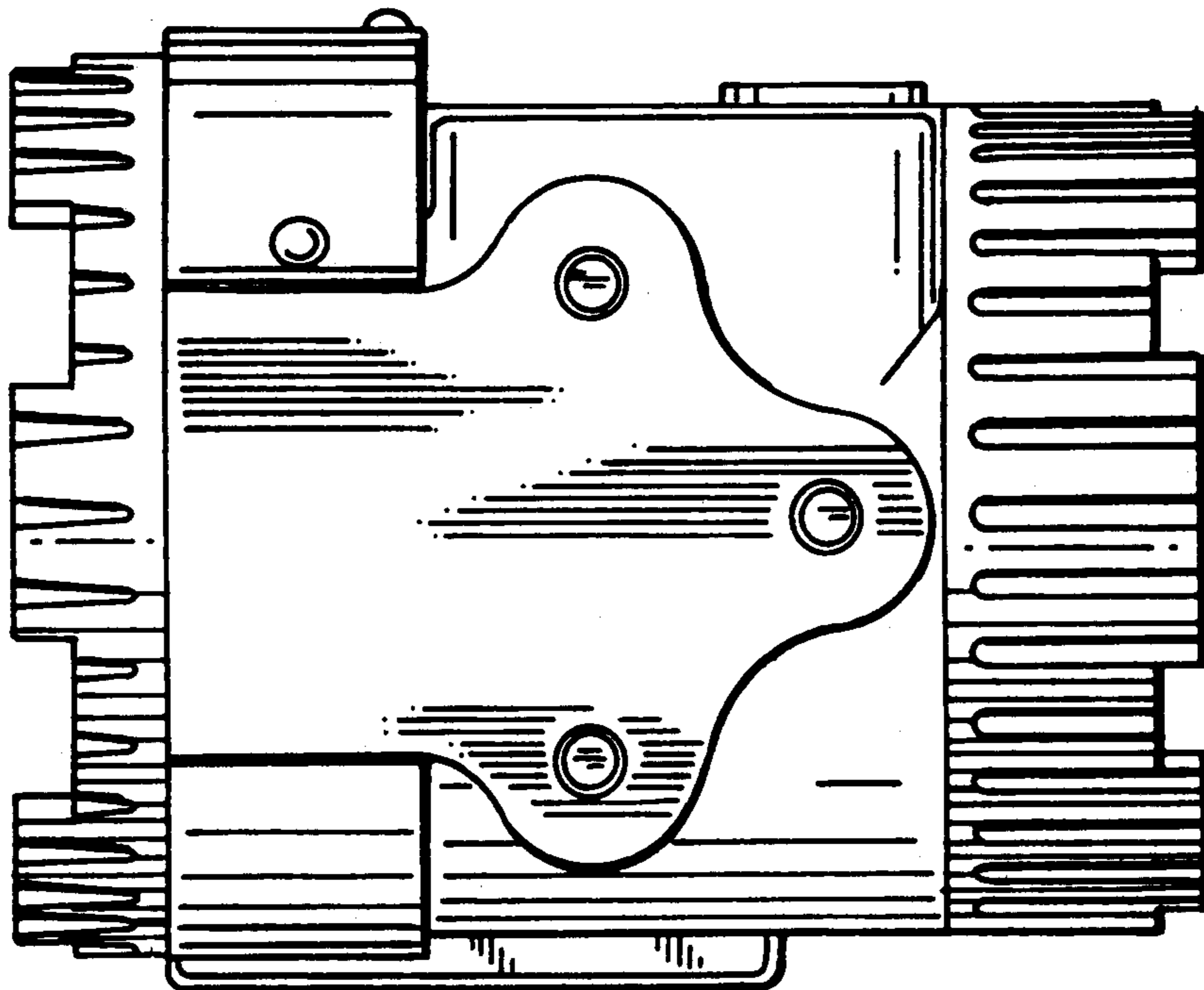


Fig. 3

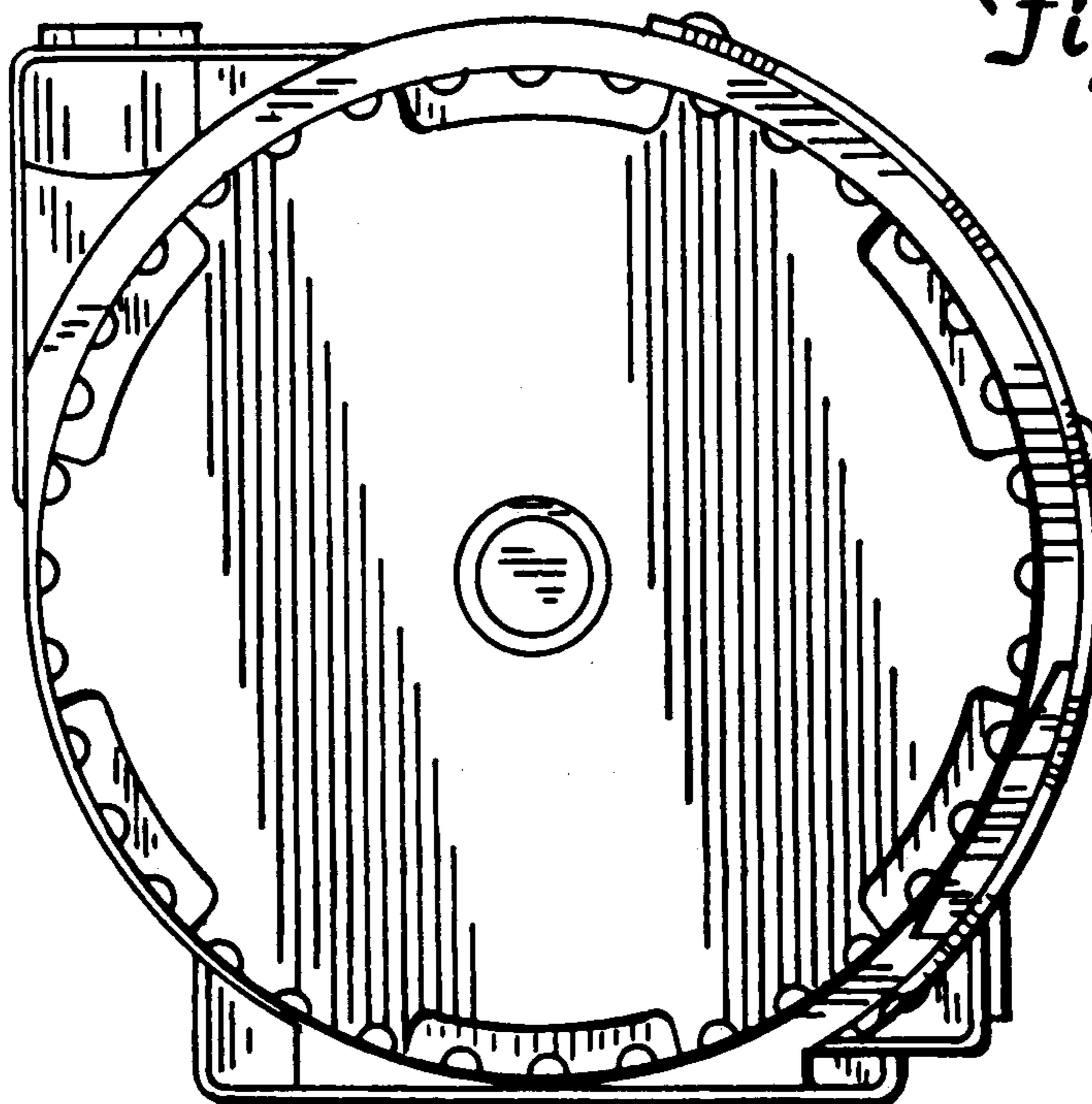


Fig. 4

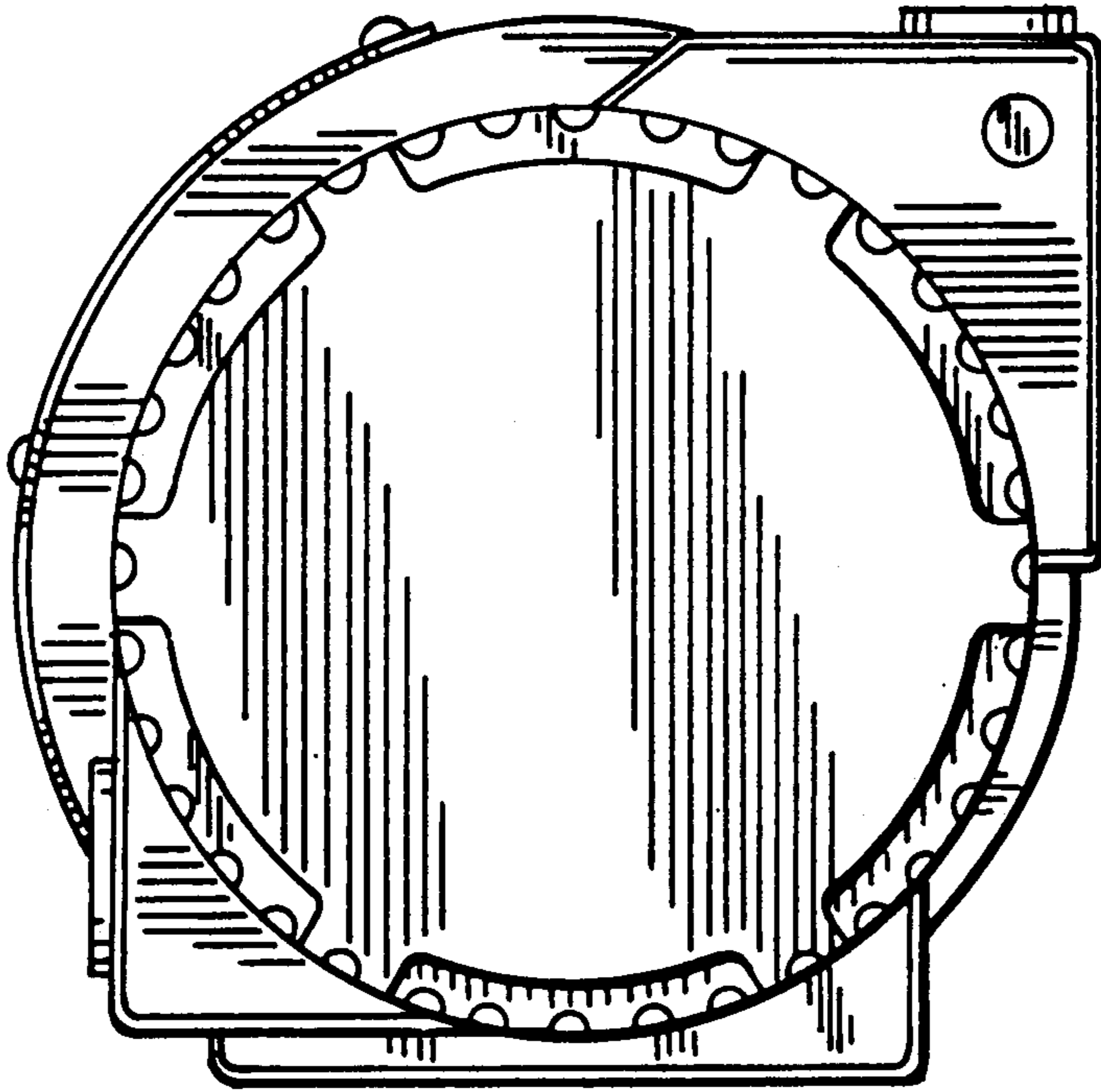


Fig. 5

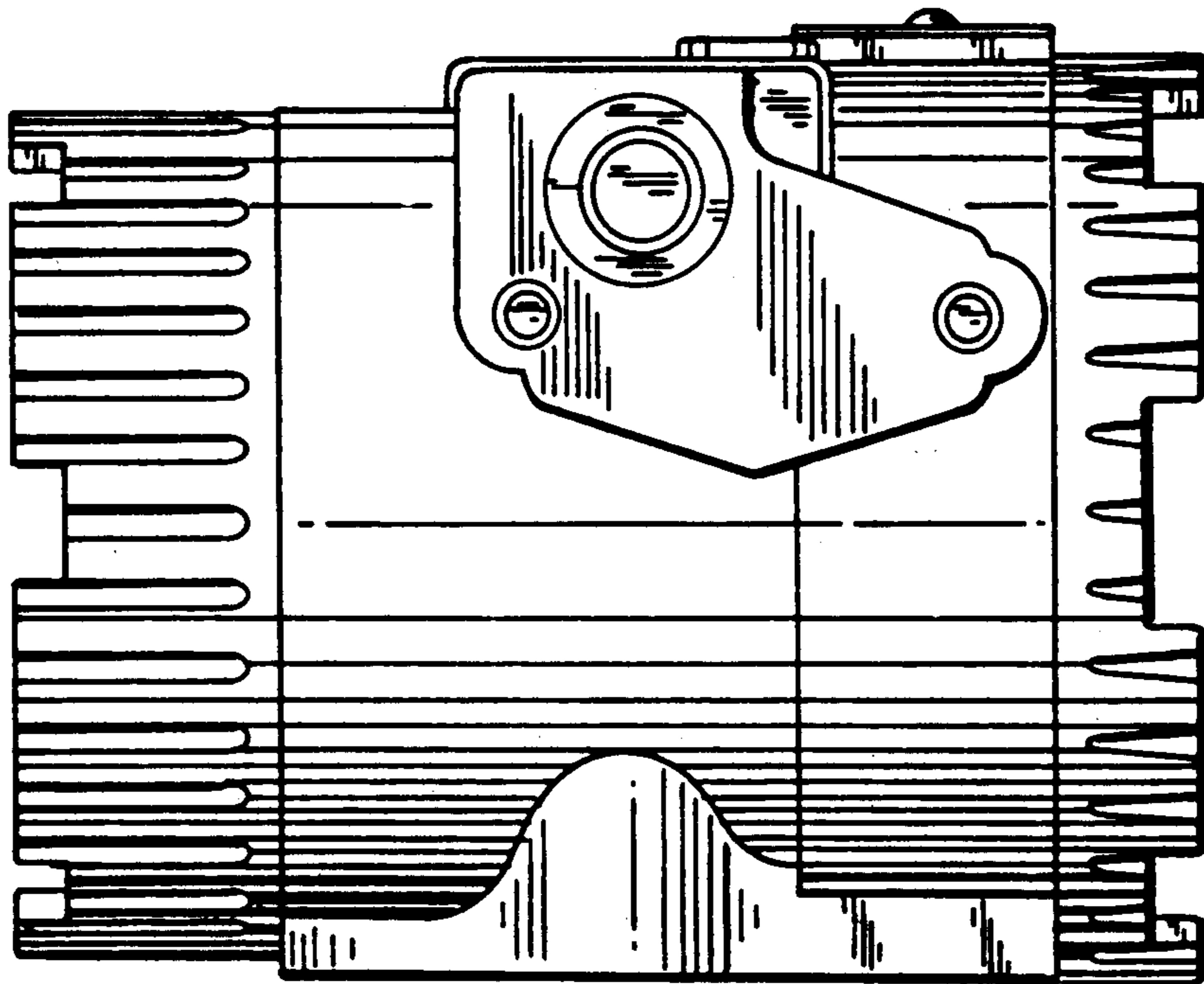


Fig. 6

Fig. 7

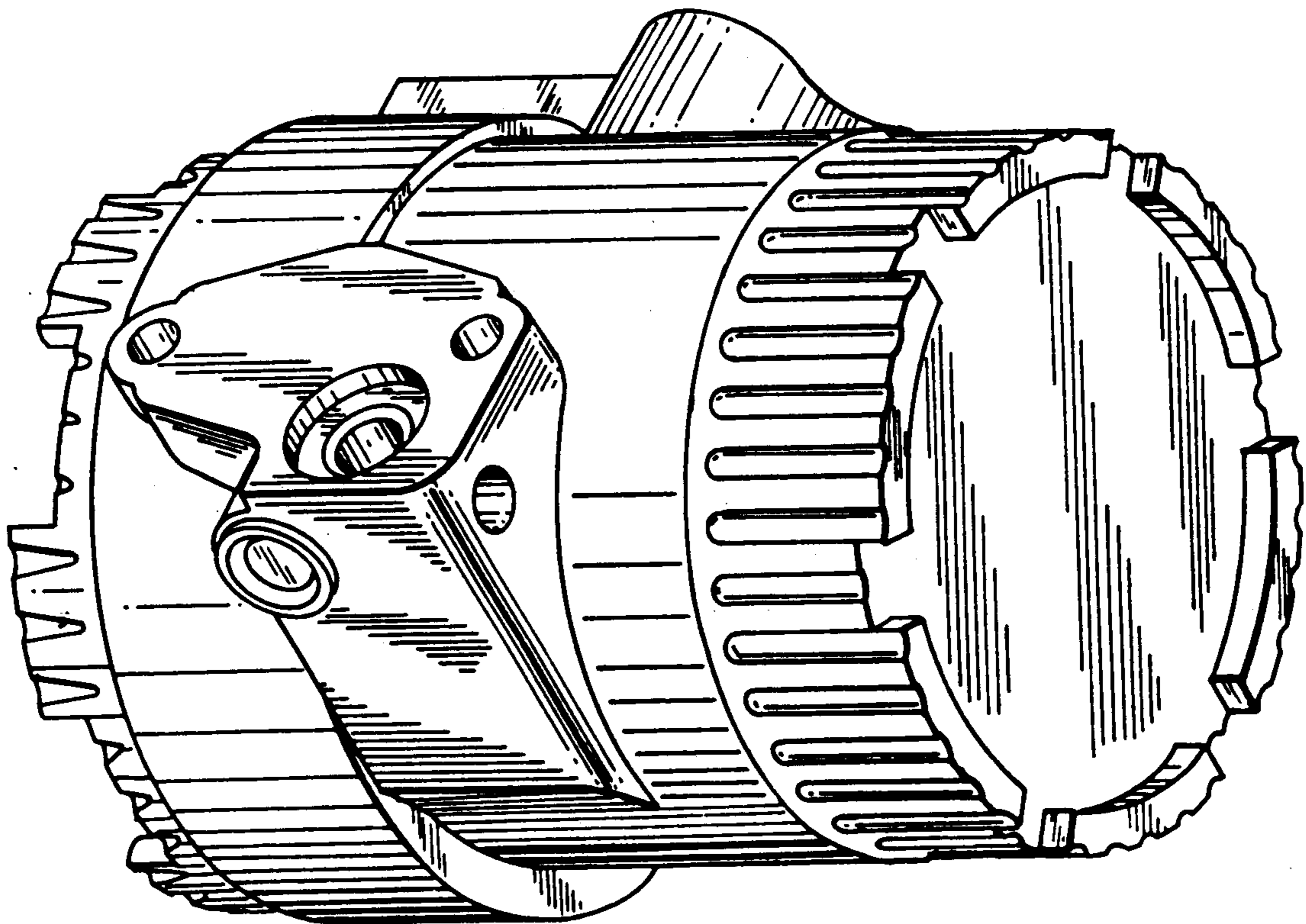
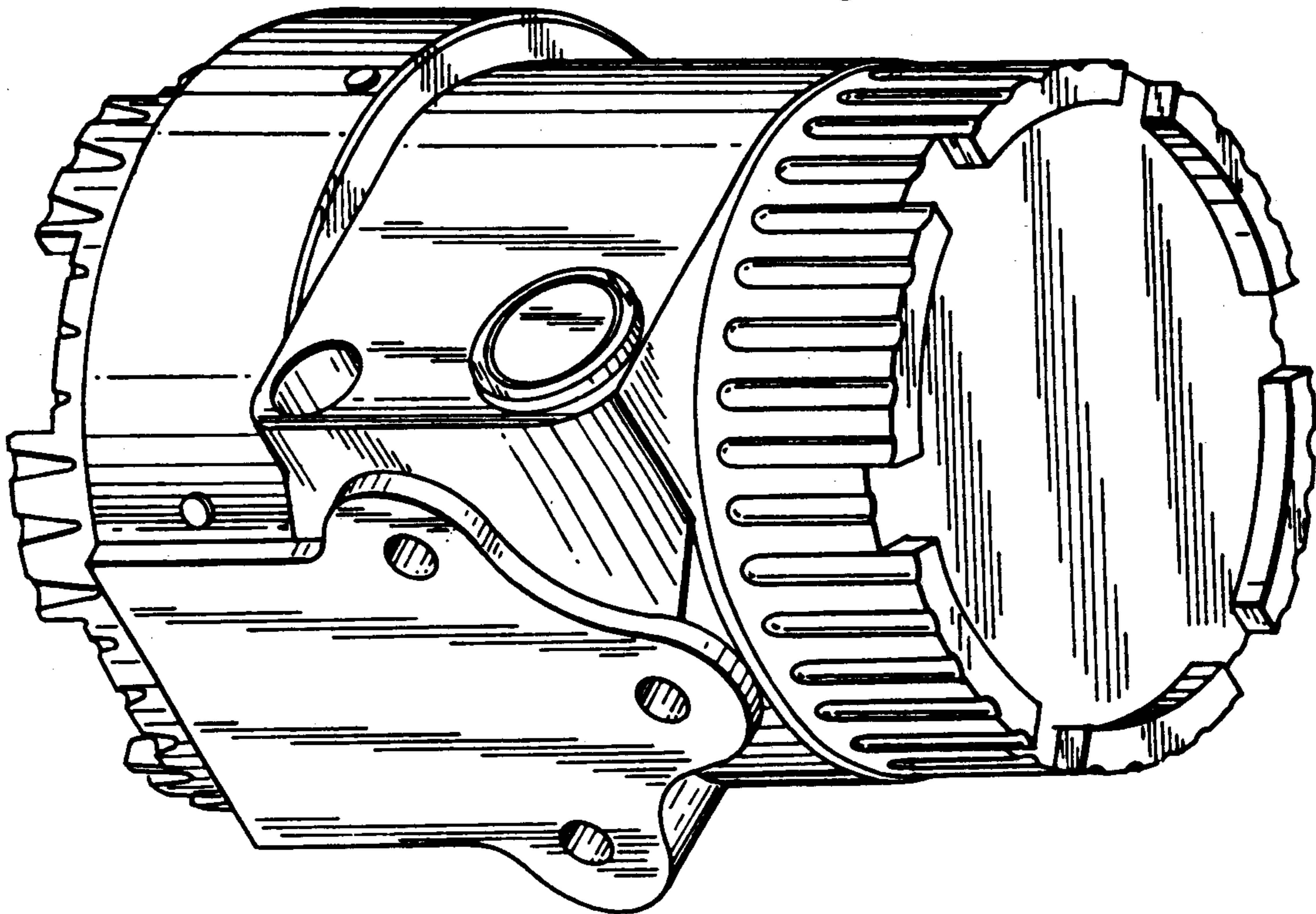


Fig. 8

UNITED STATES PATENT AND TRADEMARK OFFICE
CERTIFICATE OF CORRECTION

PATENT NO. : D316,975

DATED : May 21, 1991

INVENTOR(S) : Gregory C. Brown et al.

It is certified that error appears in the above-identified patent and that said Letters Patent is hereby corrected as shown below:

On the title page, item [56]:

In the References Cited section, insert the following:

OTHER PUBLICATIONS

Brochure, The Rosemount 1151 Pressure Transmitter,
Rosemount, Inc., 1983.

Signed and Sealed this
Eighth Day of December, 1992

Attest:

Attesting Officer

DOUGLAS B. COMER

Acting Commissioner of Patents and Trademarks