

[54] **SHAVING CARTRIDGE DISPENSER**
 [75] **Inventor: Michael J. Gray, Duxbury, Mass.**
 [73] **Assignee: The Gillette Company, Boston, Mass.**
 [**] **Term: 14 Years**
 [21] **Appl. No.: 298,735**
 [22] **Filed: Jan. 19, 1989**
 [52] **U.S. Cl. D9/342**
 [58] **Field of Search D9/341, 342, 337, 340;**
 206/349, 352, 354, 355, 356, 480, 565, 208, 228;
 30/32, 40, 40.2

3,771,223 11/1973 Dawidowicz et al. 30/40
 3,783,510 1/1974 Dawidowicz et al. 30/32 R
 3,835,532 9/1974 Petrillo 30/40.2
 3,854,201 12/1974 Dawidowicz et al. 30/40.2
 3,880,284 4/1975 Pomfret 206/354
 4,128,172 12/1978 Joyce 206/352
 4,173,285 11/1979 Kiraly 206/356
 4,742,909 5/1988 Apprille, Jr. et al. 206/356

Primary Examiner—Bernard Ansher
Assistant Examiner—Prabhakar Deshmukh
Attorney, Agent, or Firm—Lorusso & Loud

[56] **References Cited**

U.S. PATENT DOCUMENTS

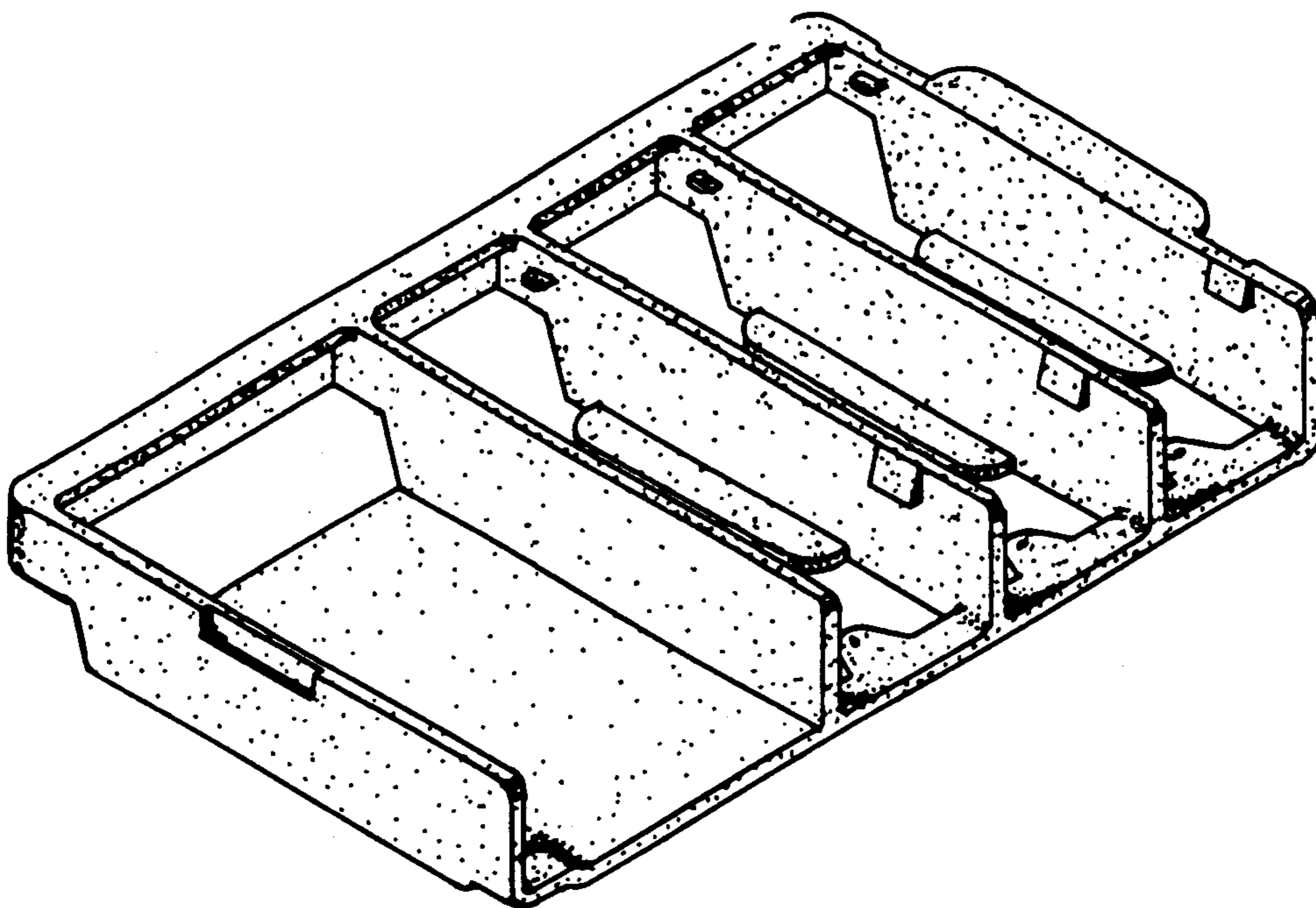
D. 203,235 12/1965 Muscatiello D6/467
 D. 224,997 10/1972 Petrillo D9/340
 D. 226,553 3/1973 Glaberson D9/340
 D. 233,417 10/1974 Pomfret D9/340
 D. 240,507 7/1976 Hood D9/340
 D. 256,996 9/1980 Kiraly D9/340
 D. 256,997 9/1980 Motta D9/340
 3,151,738 10/1964 Stone 206/356 X
 3,696,915 10/1972 Douglas 30/40 X

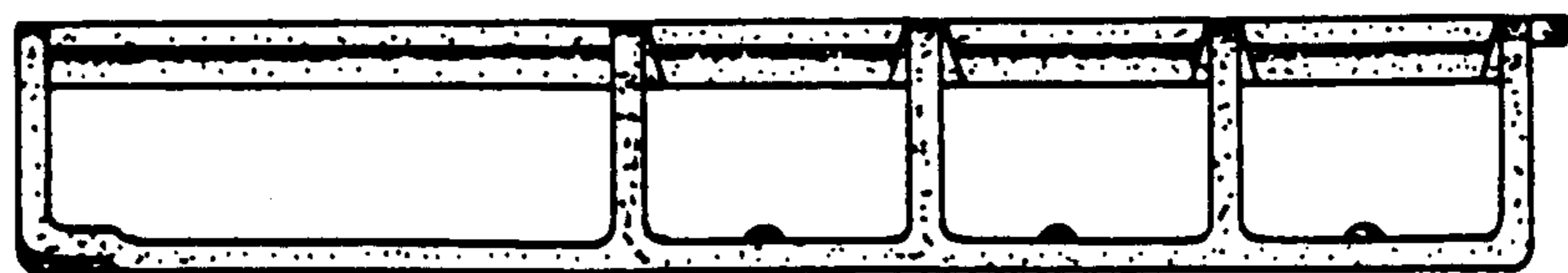
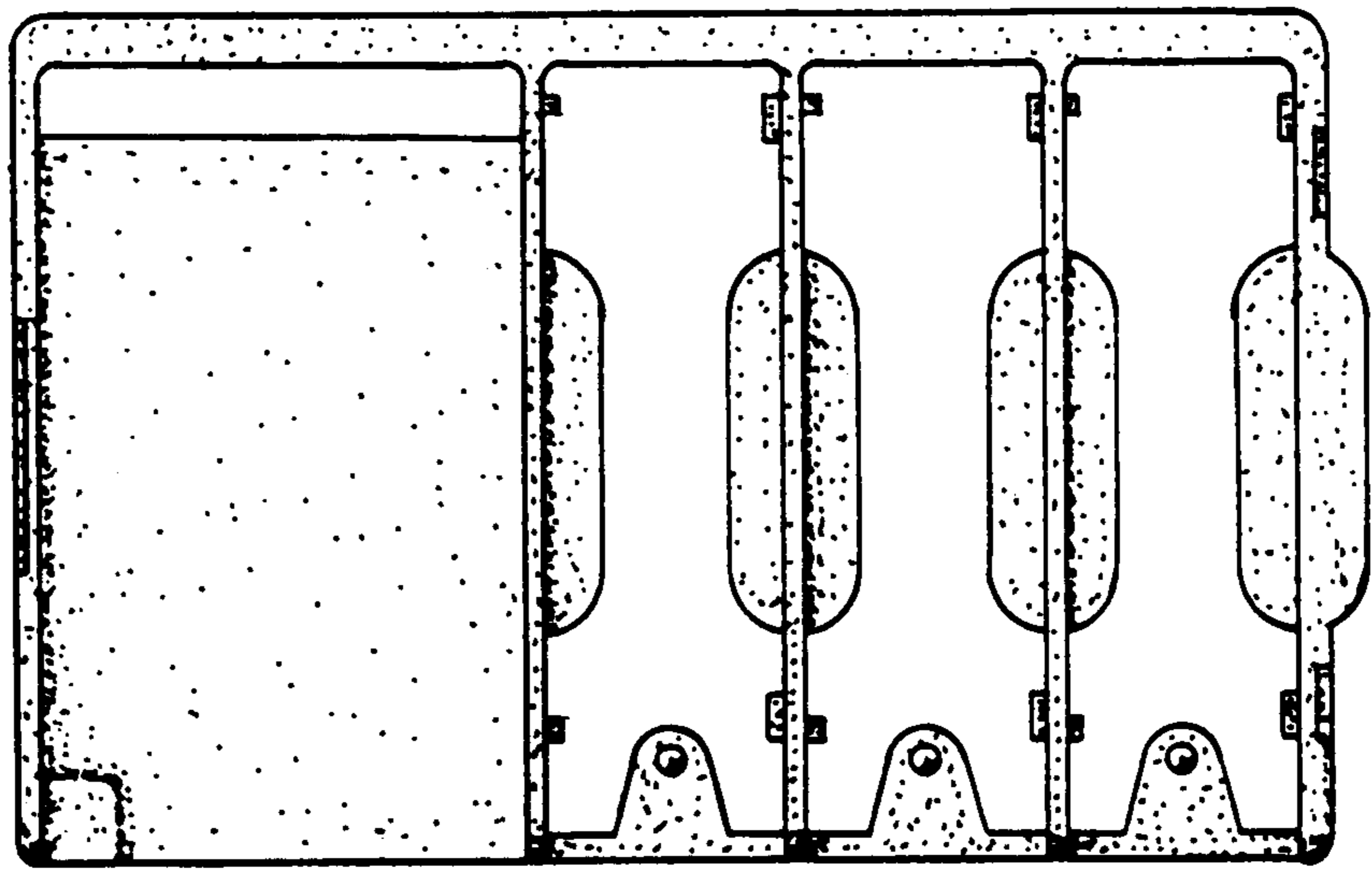
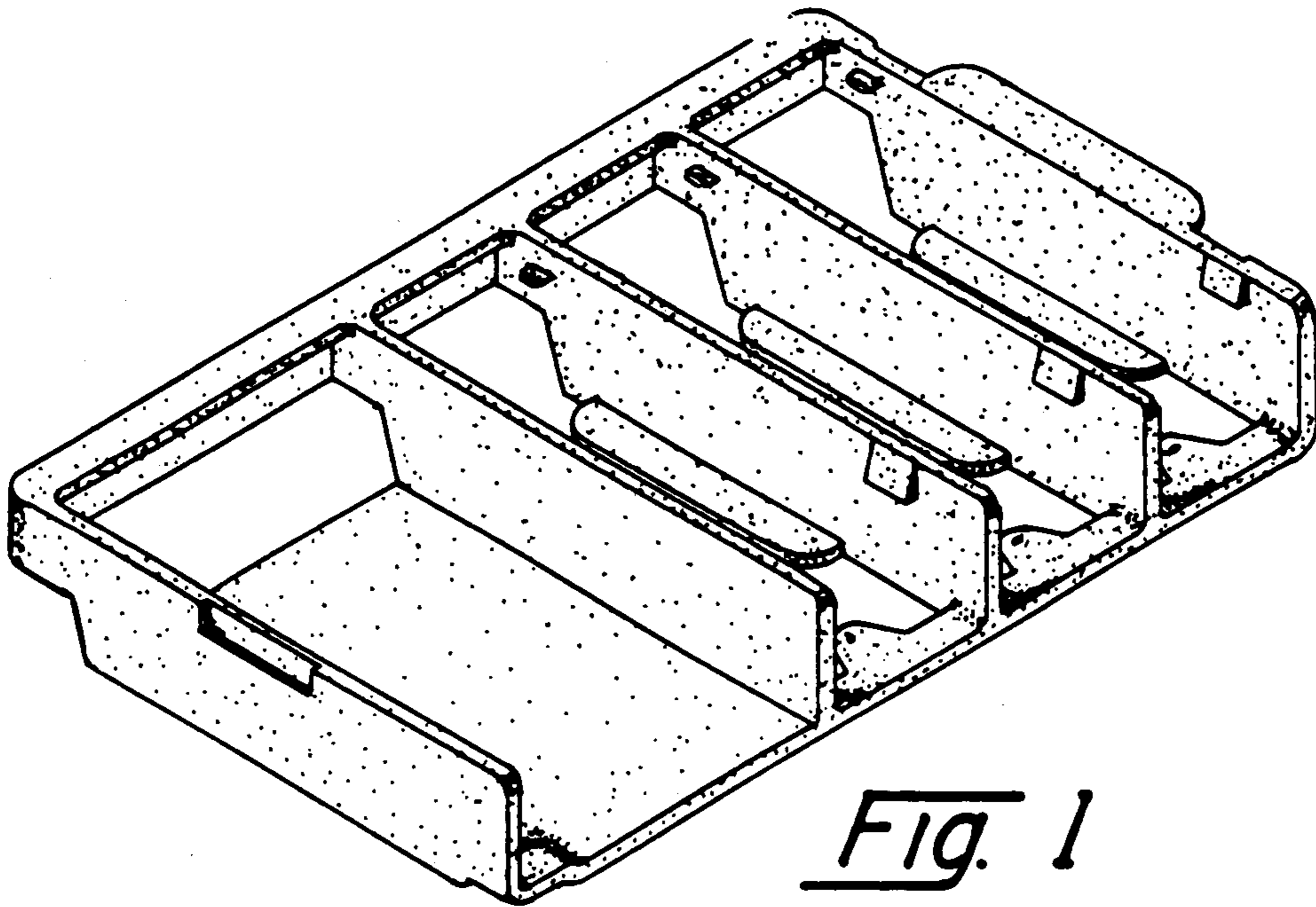
[57] **CLAIM**

The ornamental design for a shaving cartridge dispenser, as shown.

DESCRIPTION

FIG. 1 is a perspective view of a shaving cartridge dispenser, showing my new design;
 FIG. 2 is a top plan view thereof;
 FIG. 3 is a front elevational view thereof;
 FIG. 4 is a bottom view thereof;
 FIG. 5 is a rear elevational view thereof;
 FIG. 6 is a right side elevational view thereof; and
 FIG. 7 is a left side elevational view thereof.





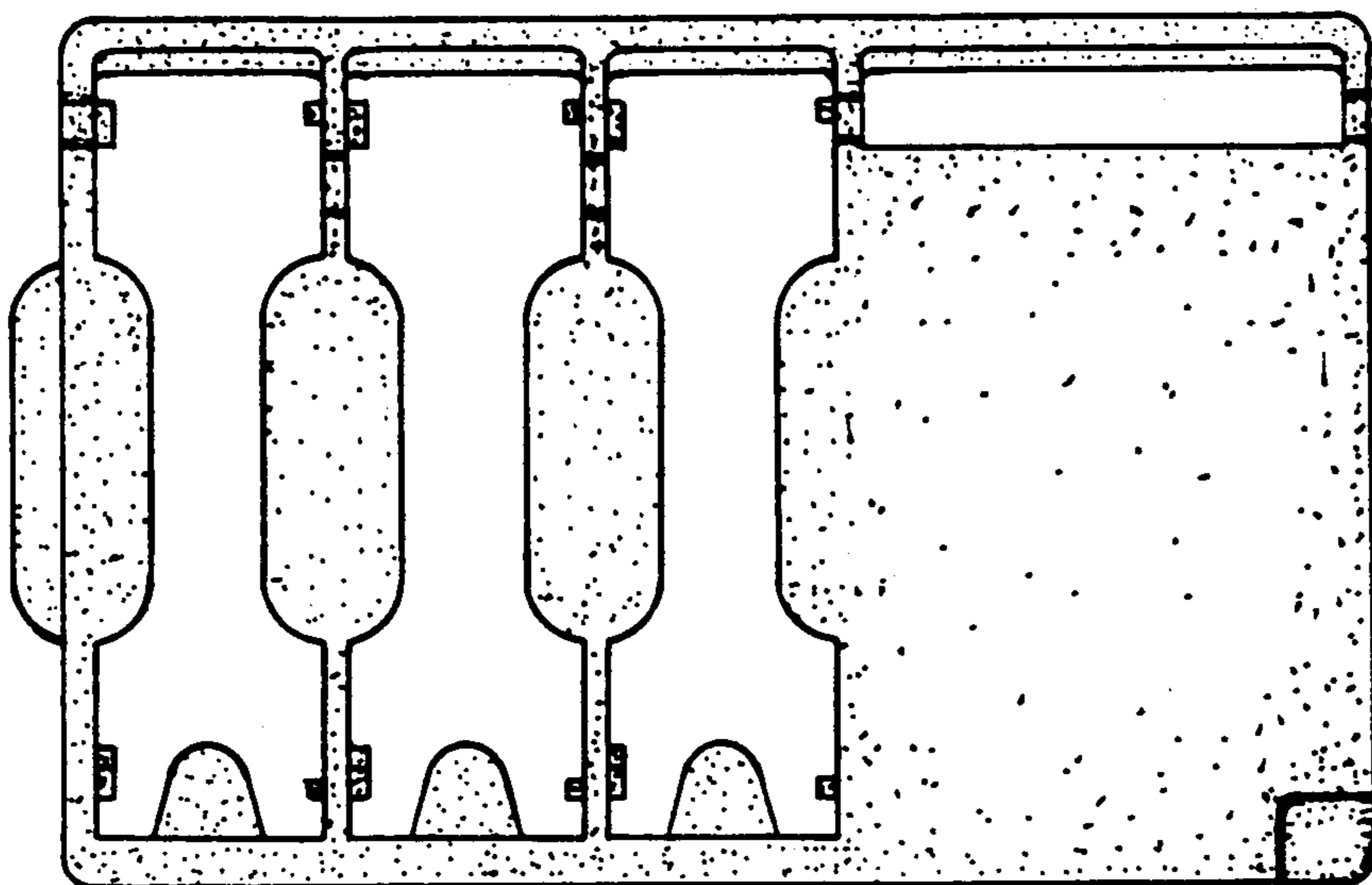


Fig. 4

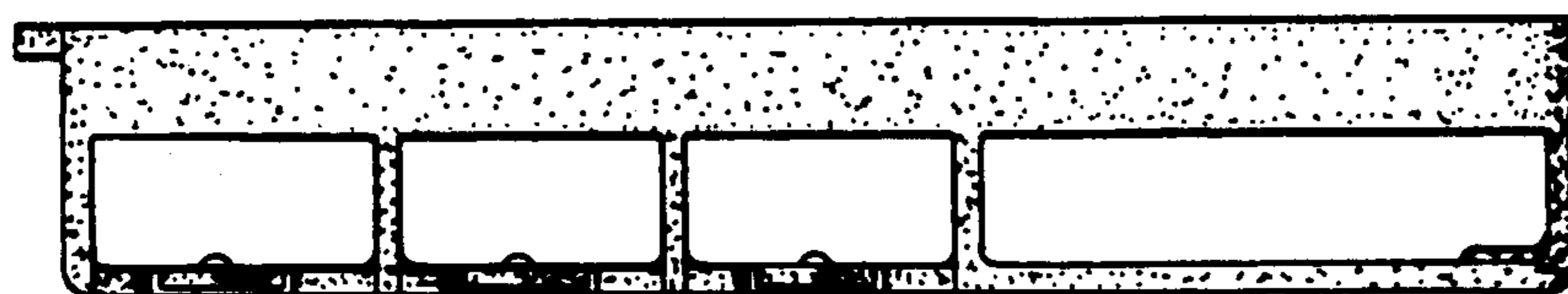


Fig. 5



Fig. 6



Fig. 7