

[54] PADLOCK

[75] Inventors: Thomas M. Goida, Derry, N.H.; Domenic Martignetti, Wilmington; L. James Newman, III, Somerville, both of Mass.

[73] Assignee: Phadz, Wilmington, Mass.

[**] Term: 14 Years

[21] Appl. No.: 277,919

[22] Filed: Nov. 30, 1988

[52] U.S. Cl. D8/334

[58] Field of Search D8/330-331, D8/333-335; 70/20-22, 24, 27, 51-52

[56] References Cited

U.S. PATENT DOCUMENTS

D. 20,016	7/1890	Jackson	D8/334
D. 240,590	7/1976	Meisner	D8/334
1,316,663	9/1919	Zadorozny	70/20 X
2,662,385	12/1953	Zavoico	70/52
3,750,431	8/1973	Atkinson	70/27 X
3,817,063	6/1974	Williams	70/24
3,952,565	4/1976	Falk	70/52 X

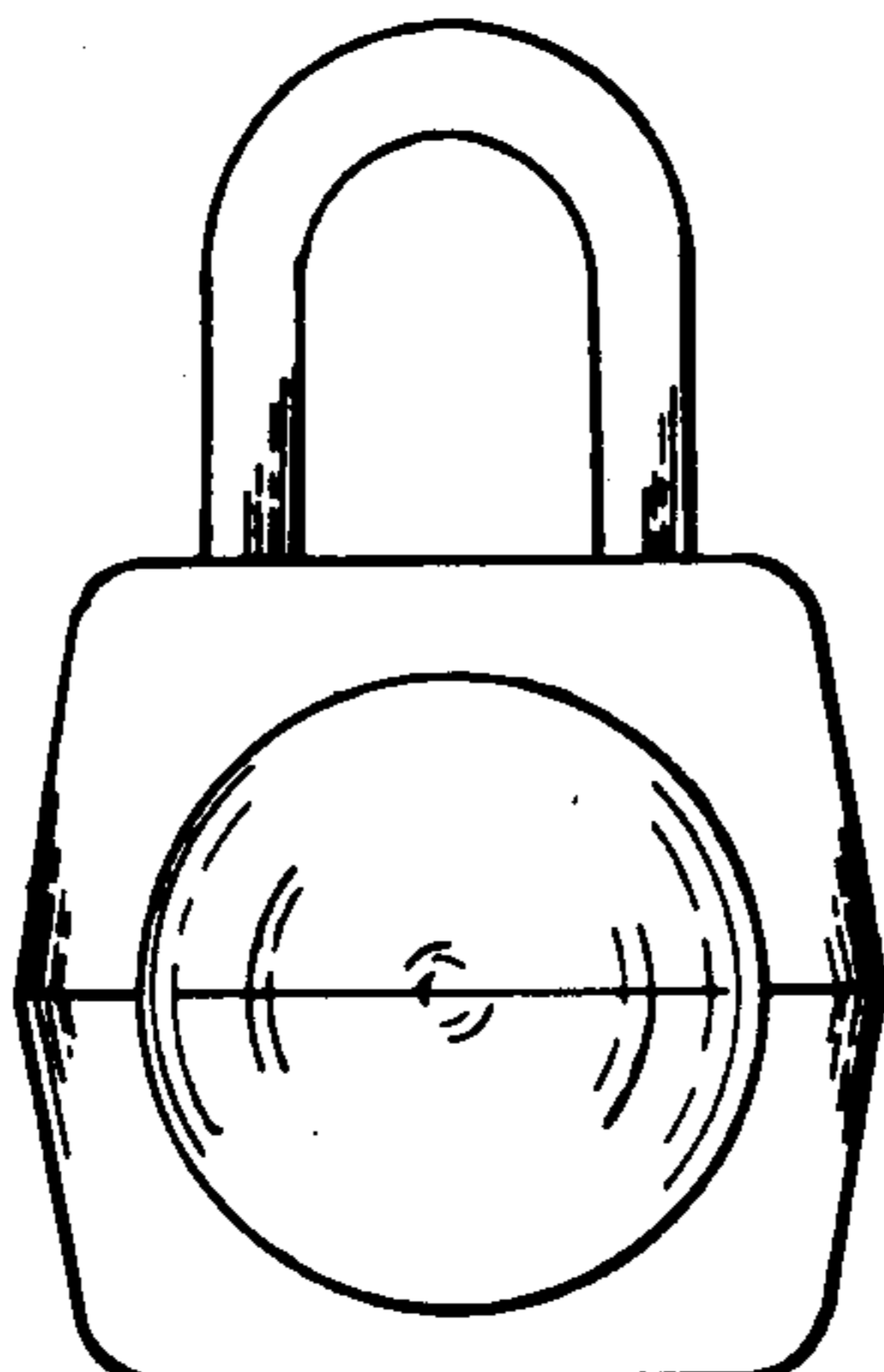
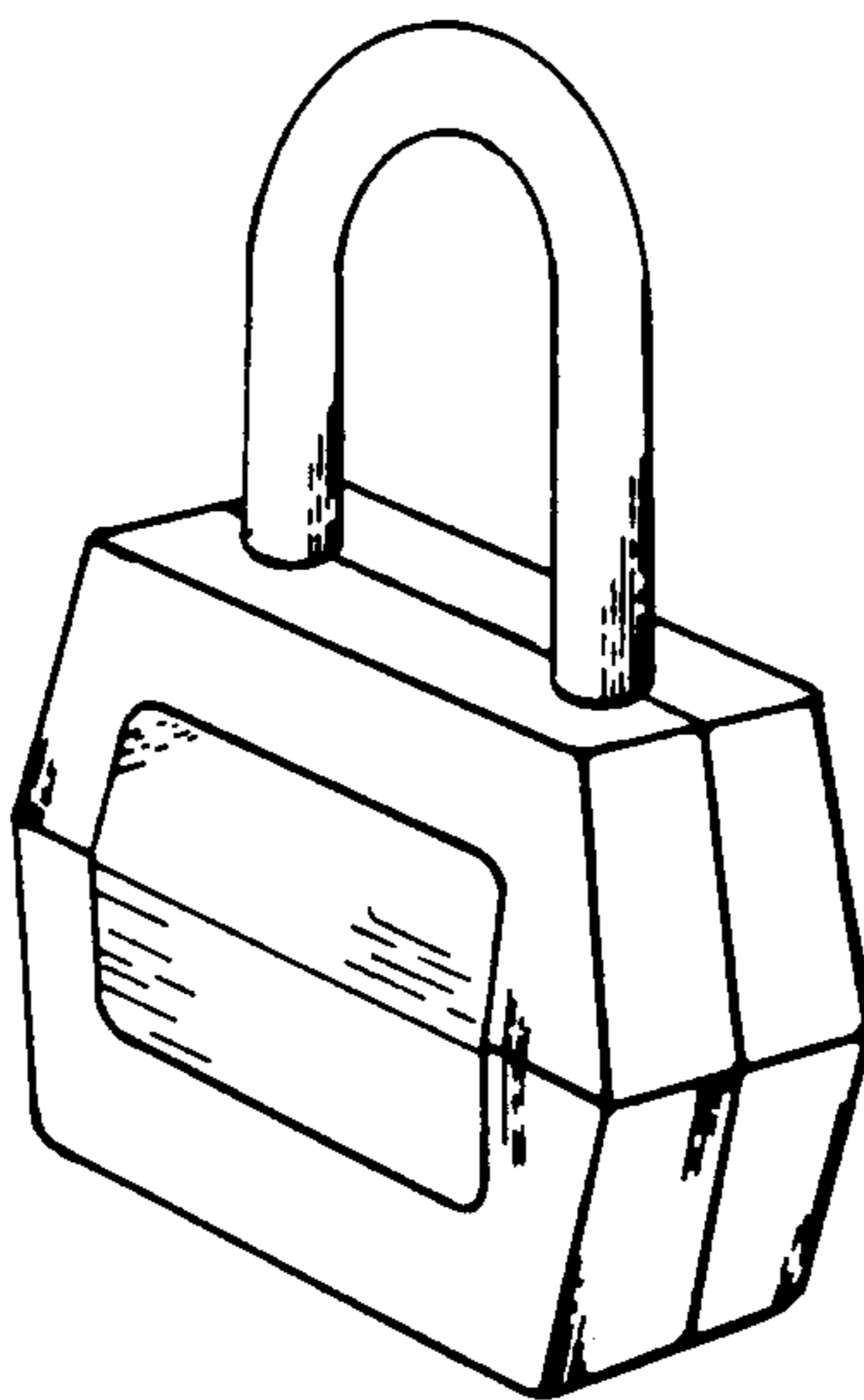
Primary Examiner—Wallace R. Burke
Assistant Examiner—Brian N. Vinson
Attorney, Agent, or Firm—Hamilton, Brook, Smith & Reynolds

[57] CLAIM

The ornamental design for a padlock, as shown and described.

DESCRIPTION

FIG. 1 is a top, front, and right side perspective view of a padlock showing our new design;
FIG. 2 is a front elevational view thereof;
FIG. 3 is a rear elevational view thereof;
FIG. 4 is a right side elevational view thereof, the left side being a mirror image of that shown;
FIG. 5 is a top plan view thereof;
FIG. 6 is a bottom plan view thereof;
FIG. 7 is a front elevational view of a second embodiment thereof, the only difference residing in the configuration of the label element; and
FIG. 8 is a front elevational view of a third embodiment thereof, the only difference residing in the configuration of the label element.



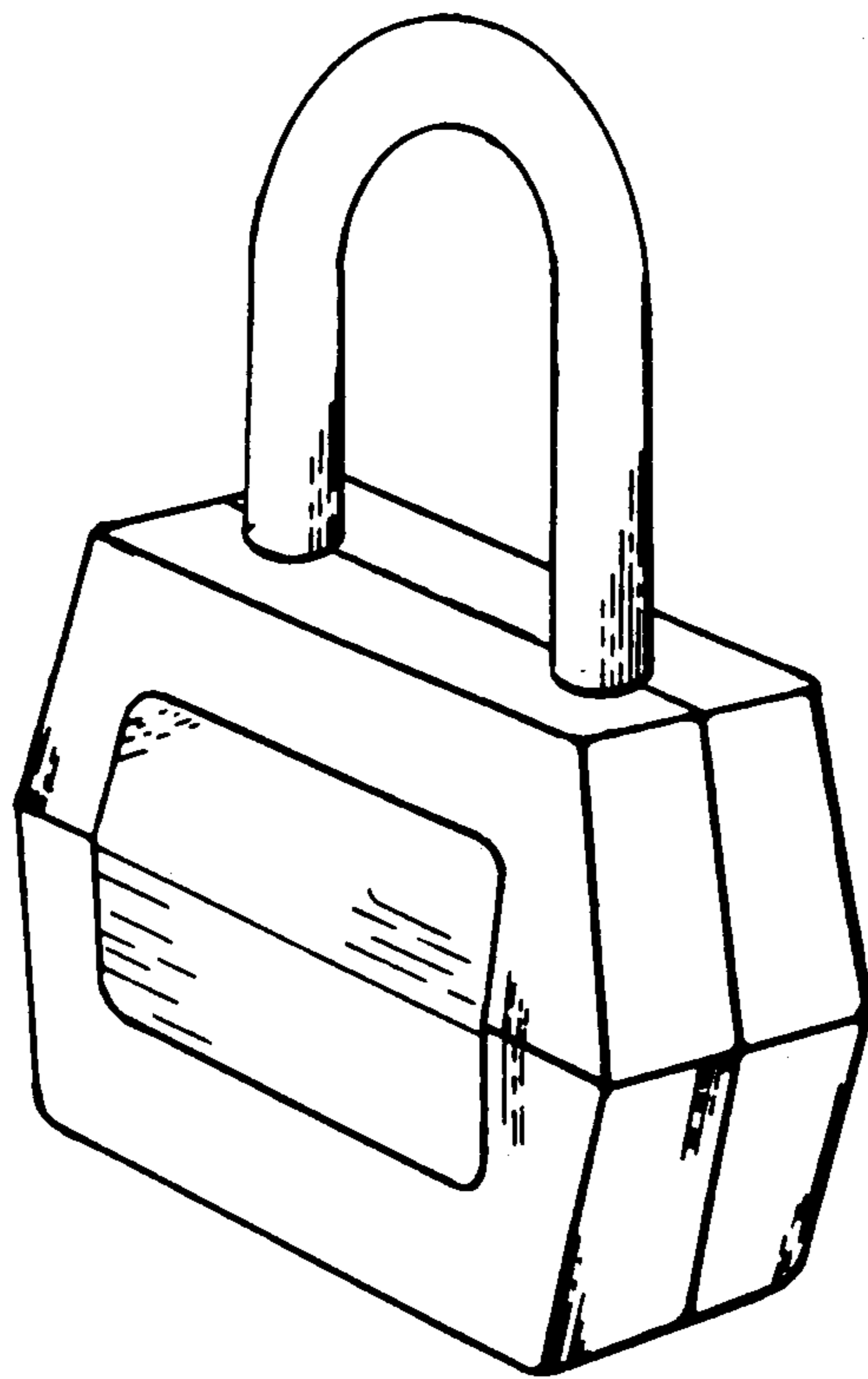


Figure 1

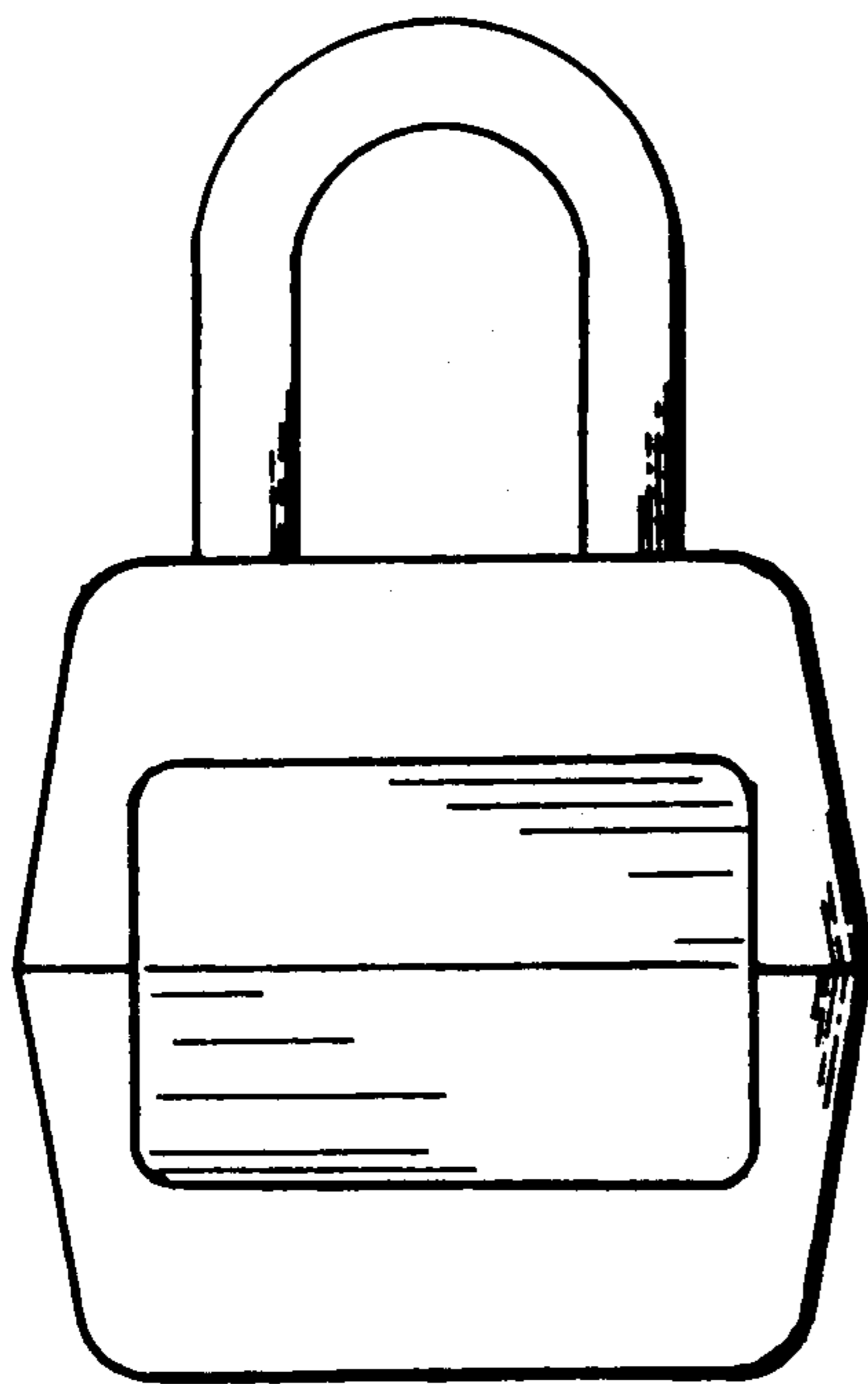


Figure 2

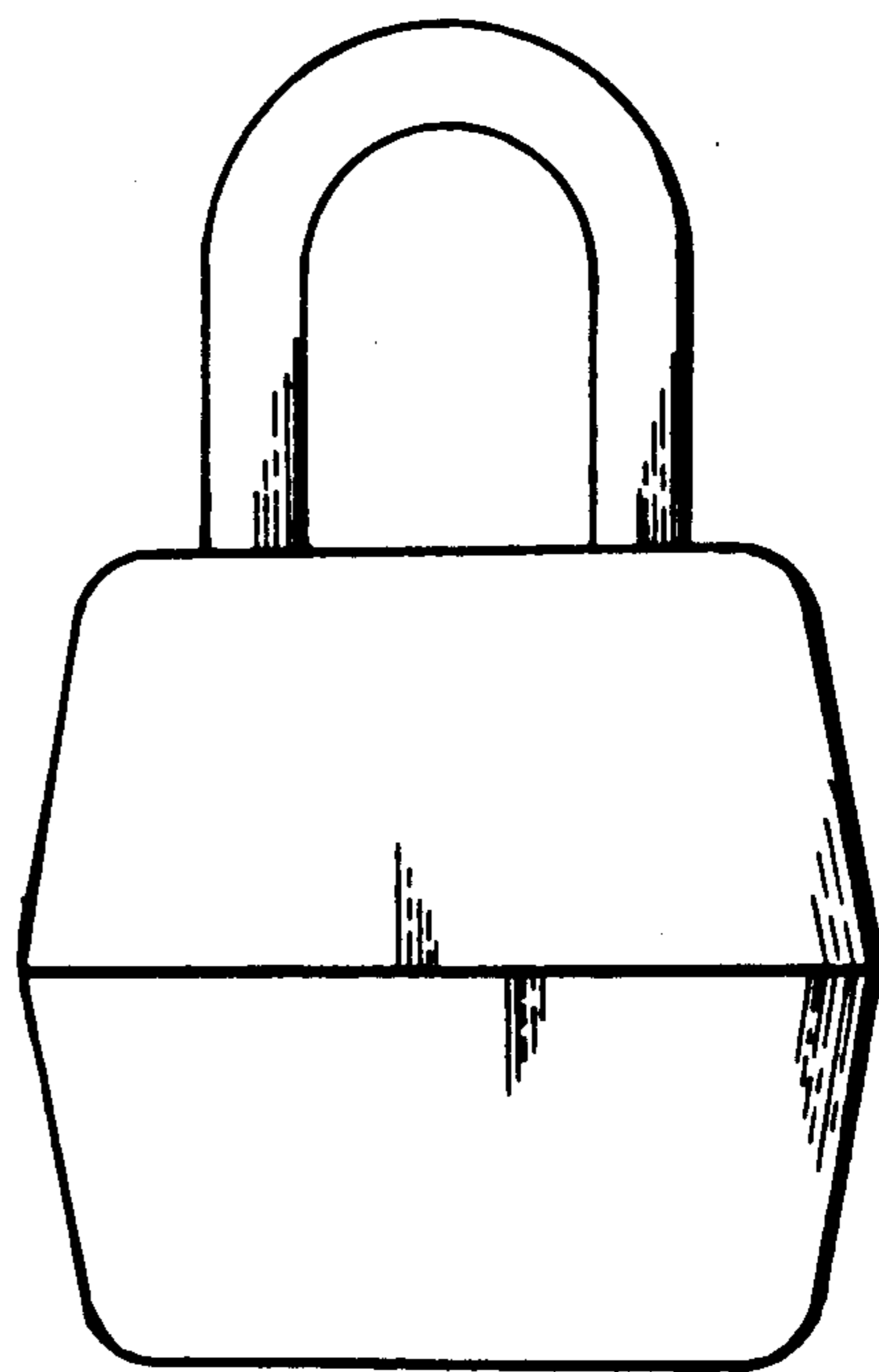


Figure 3

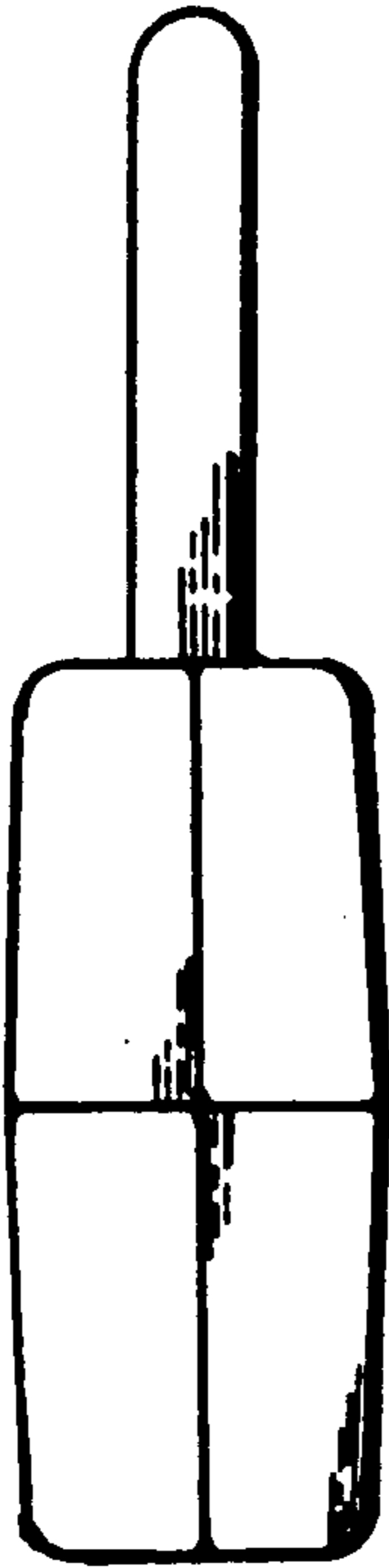


Figure 4

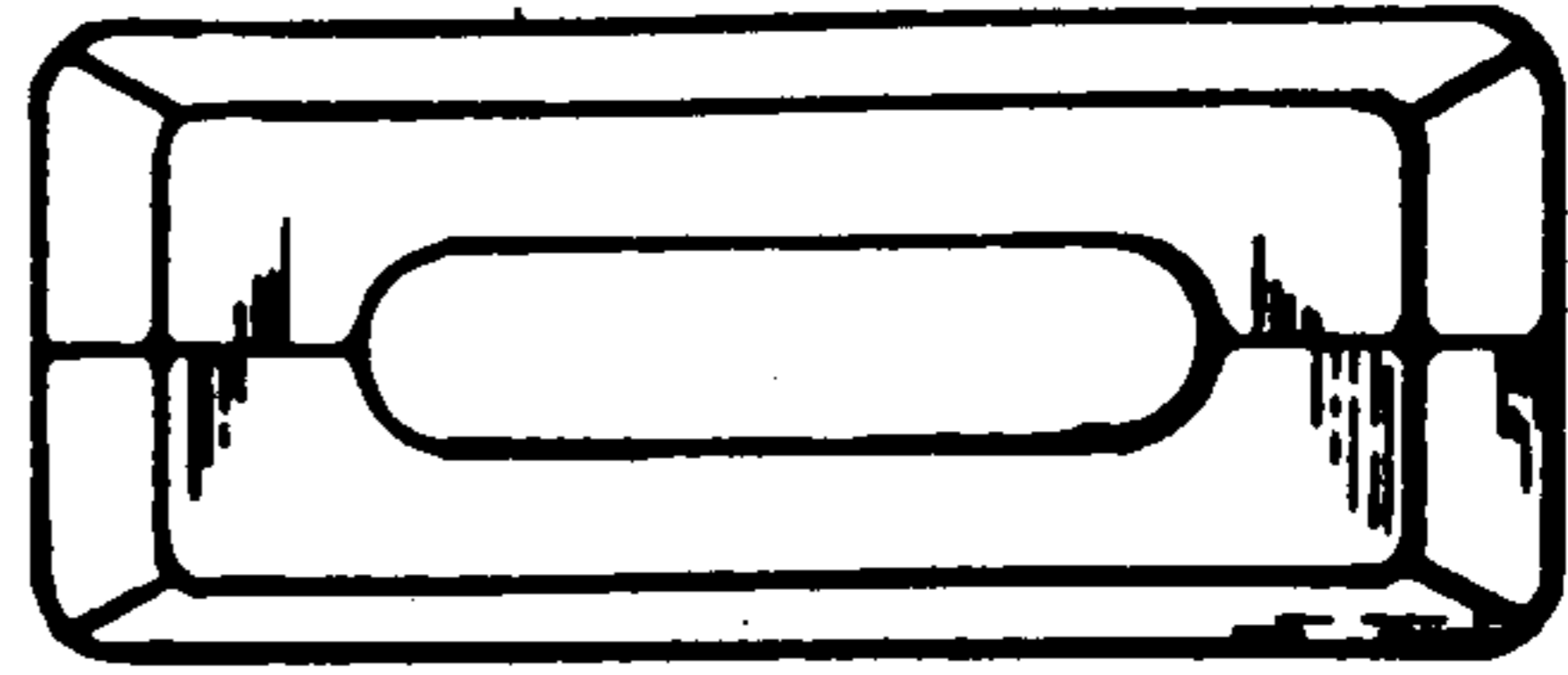


Figure 5

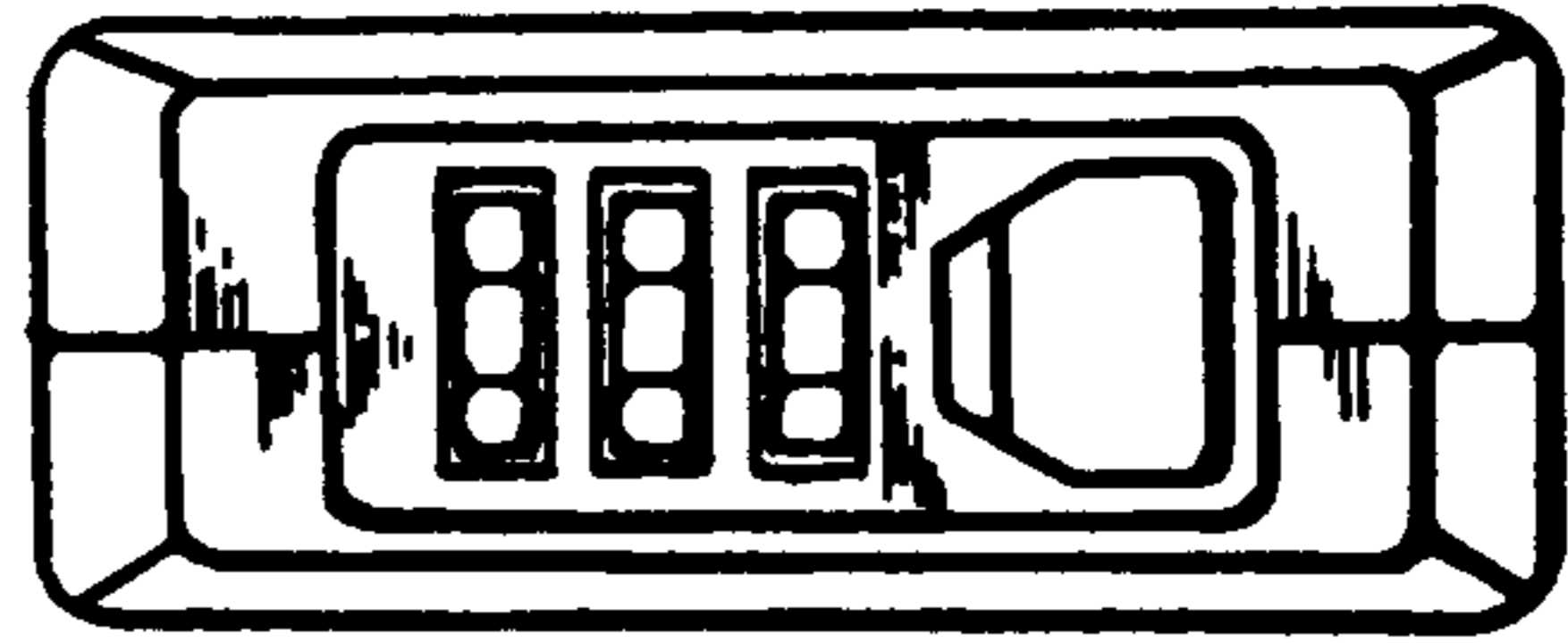


Figure 6

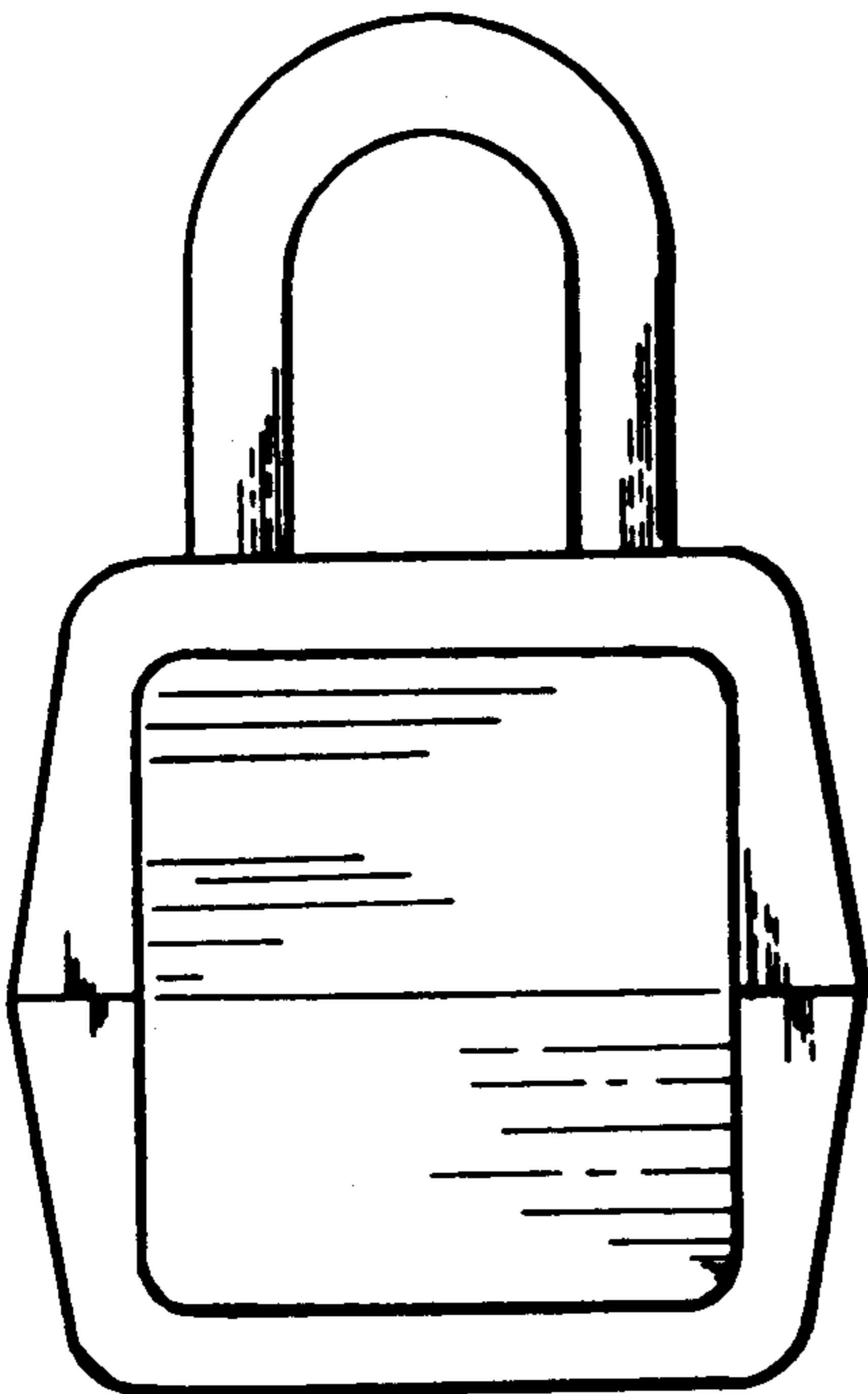


Figure 7

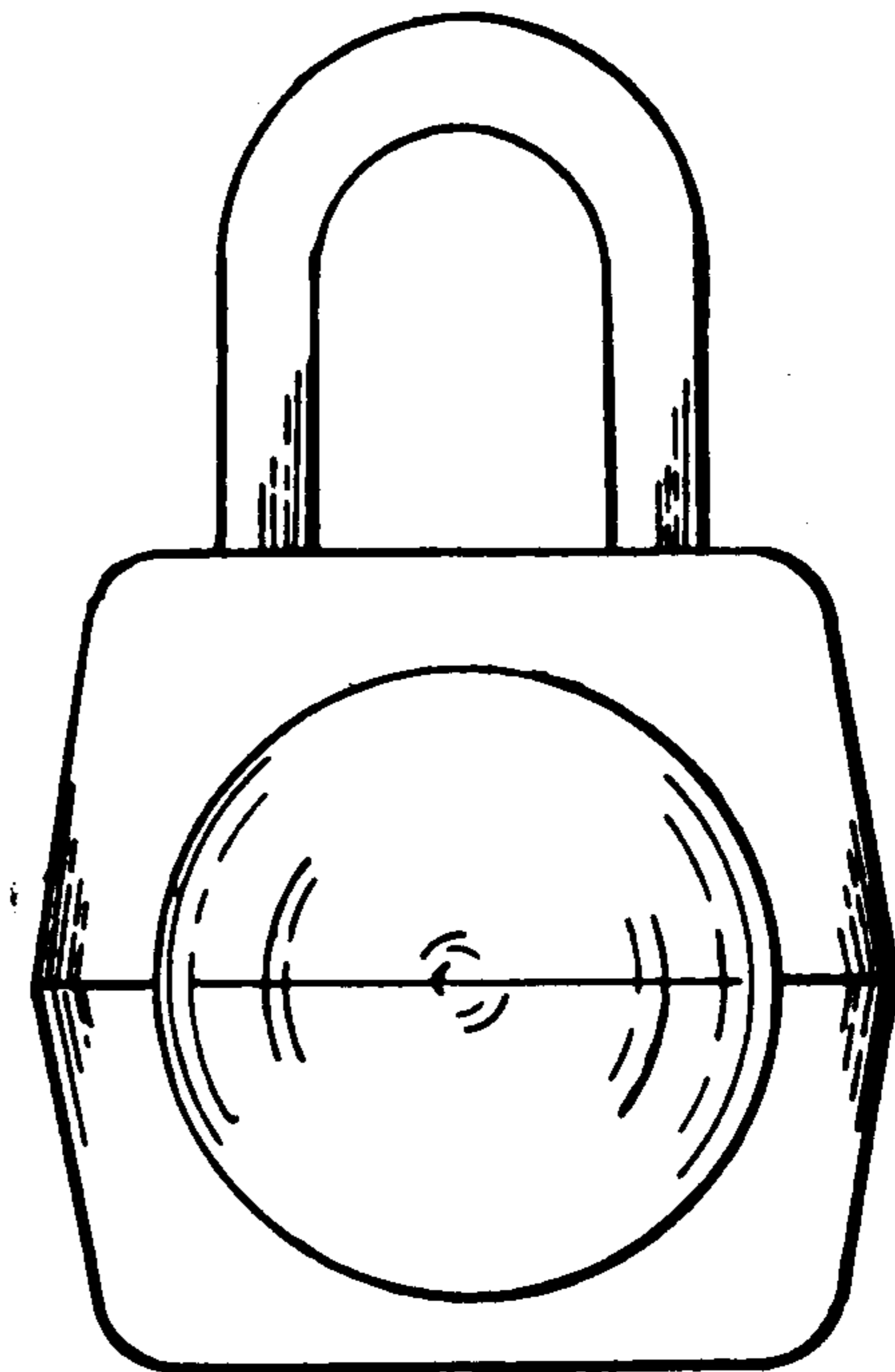


Figure 8