

[54] **VEGETATION BARRIER**

[75] **Inventor: George D. Groves, Jefferson County, Mo.**

[73] **Assignee: B & G Consultants, Inc., Arnold, Mo.**

[**] **Term: 14 Years**

[21] **Appl. No.: 418,480**

[22] **Filed: Oct. 10, 1989**

Related U.S. Application Data

[63] Continuation-in-part of Ser. No. 188,449, Apr. 29, 1988, Pat. No. 4,903,947.

[52] **U.S. Cl. D8/1**

[58] **Field of Search D8/1; 256/32, 33; 47/33; 52/102**

[56] **References Cited**

U.S. PATENT DOCUMENTS

2,826,393	3/1958	Miller	47/33 X
3,806,096	4/1974	Eccleston	47/33 X
4,074,479	2/1978	Krupka	52/102

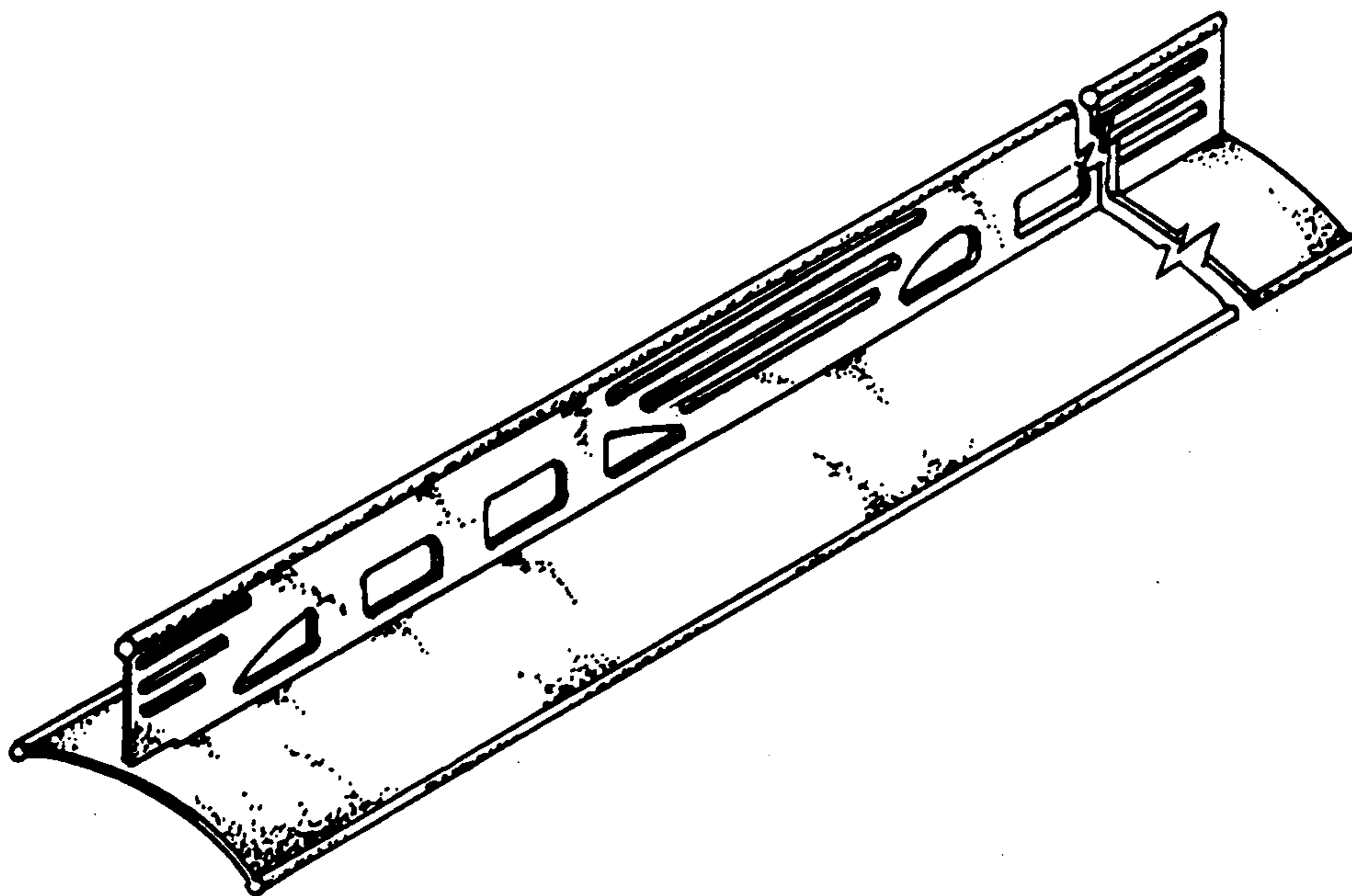
Primary Examiner—Susan J. Lucas
Assistant Examiner—Holly H. Baynham
Attorney, Agent, or Firm—Paul M. Denk

[57] **CLAIM**

The ornamental design for the vegetation barrier, as shown and described.

DESCRIPTION

FIG. 1 is a perspective view of a vegetation barrier showing my new design;
FIG. 2 is a front elevational view thereof;
FIG. 3 is a top plan view thereof;
FIG. 4 is a bottom plan view thereof;
FIG. 5 is a left side elevational view thereof; and
FIG. 6 is a right side elevational view thereof.
The barrier is shown broken away in FIGS. 1-4 to indeterminate lengths.



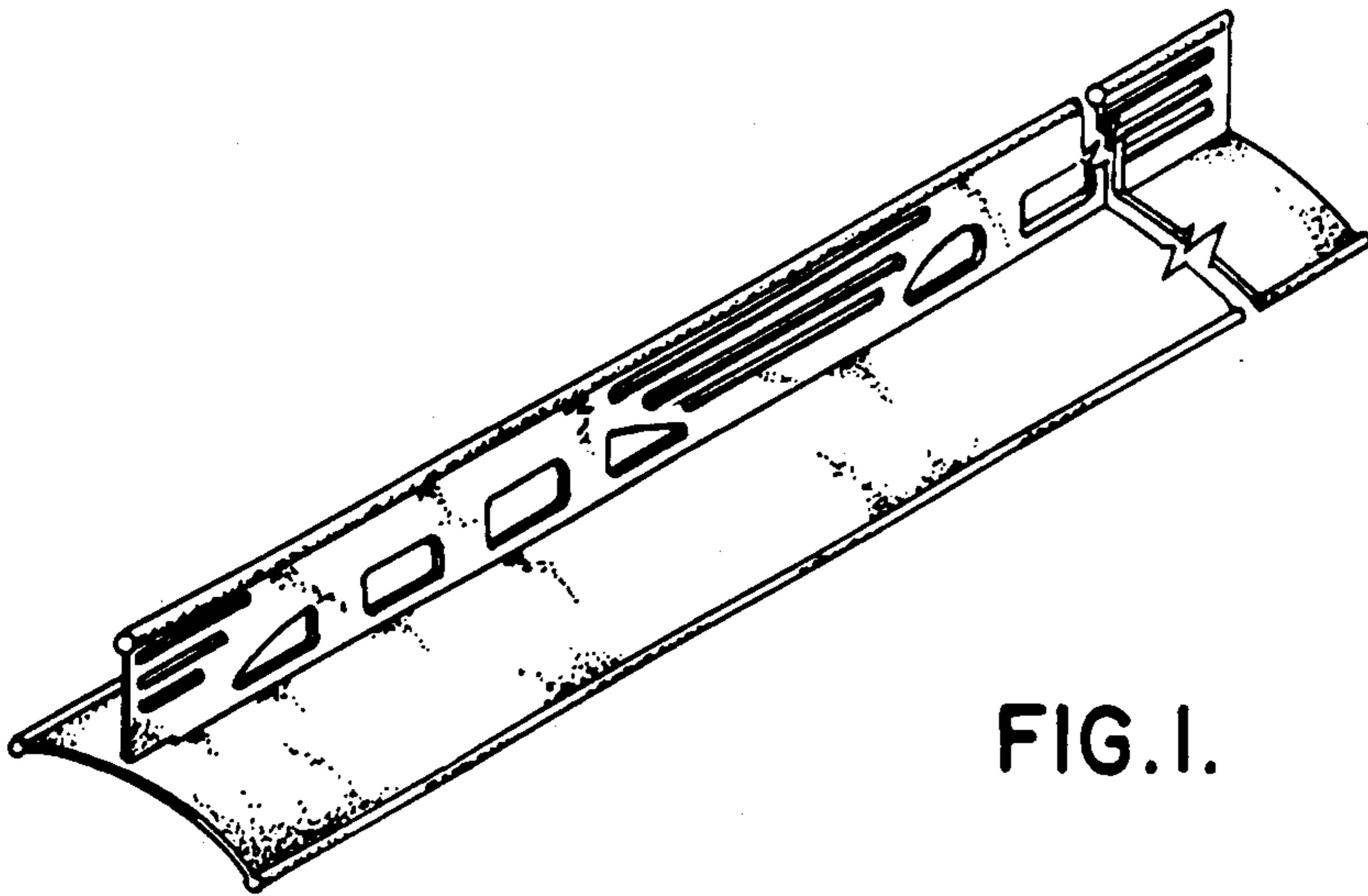


FIG. 1.

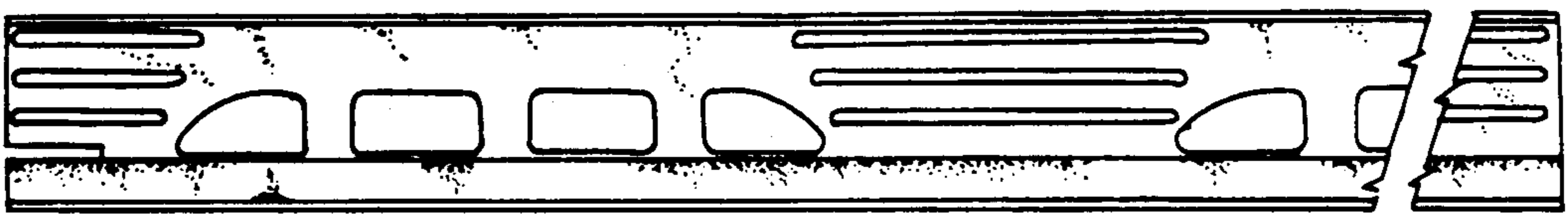


FIG. 2.

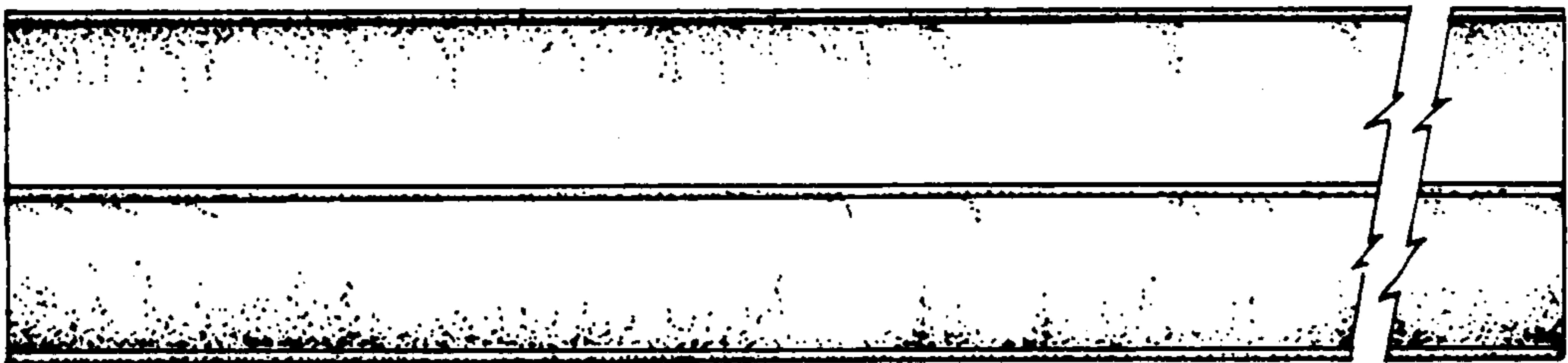


FIG. 3.



FIG. 4.

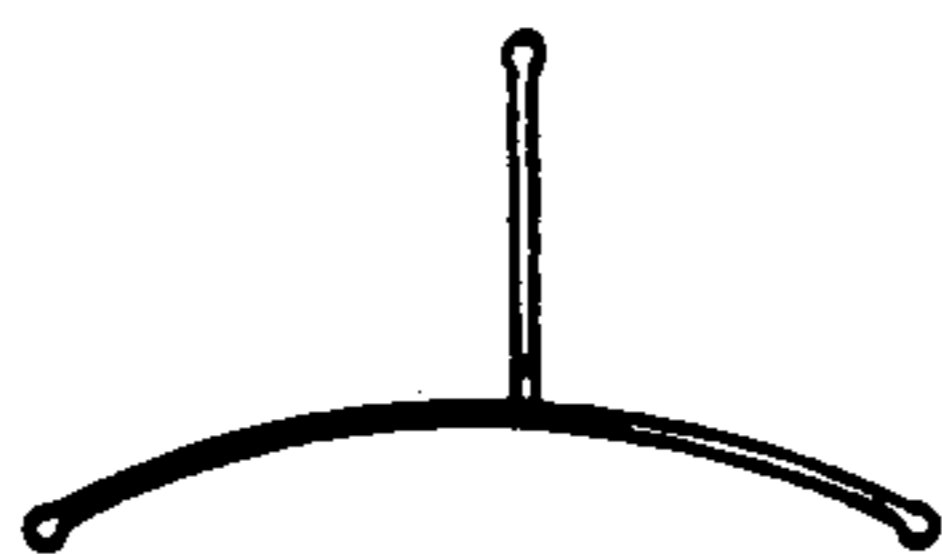


FIG. 5.

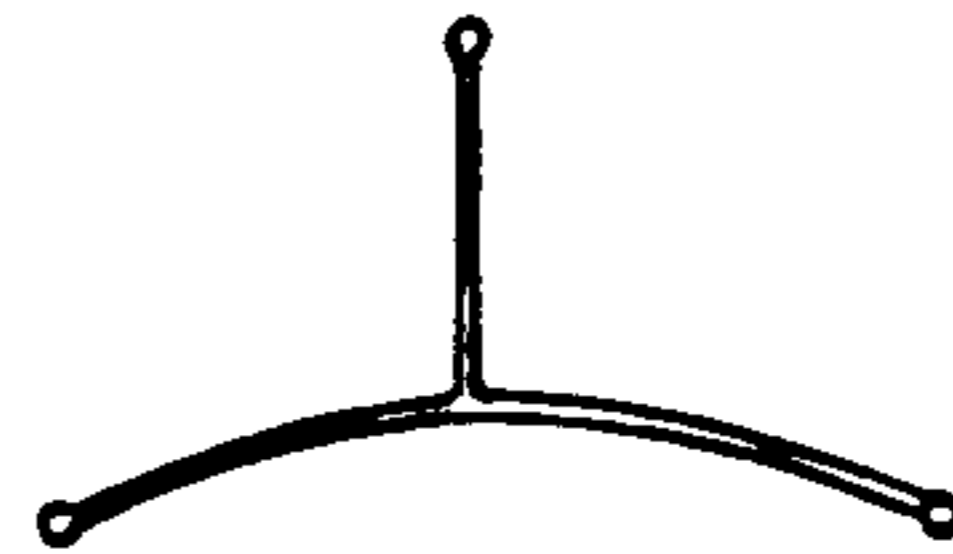


FIG. 6.