

[54] COOLER

[76] Inventor: Boyd D. Frizell, 9867 Scott Mill Rd., Jacksonville, Fla. 32257

[**] Term: 14 Years

[21] Appl. No.: 353,779

[22] Filed: May 18, 1989

[52] U.S. Cl. D7/605

[58] Field of Search D7/605-608; 62/457.1, 457.4, 457.7; 220/412, DIG. 9

[56] References Cited

U.S. PATENT DOCUMENTS

3,178,903 4/1965 Proctor 62/457.1 X

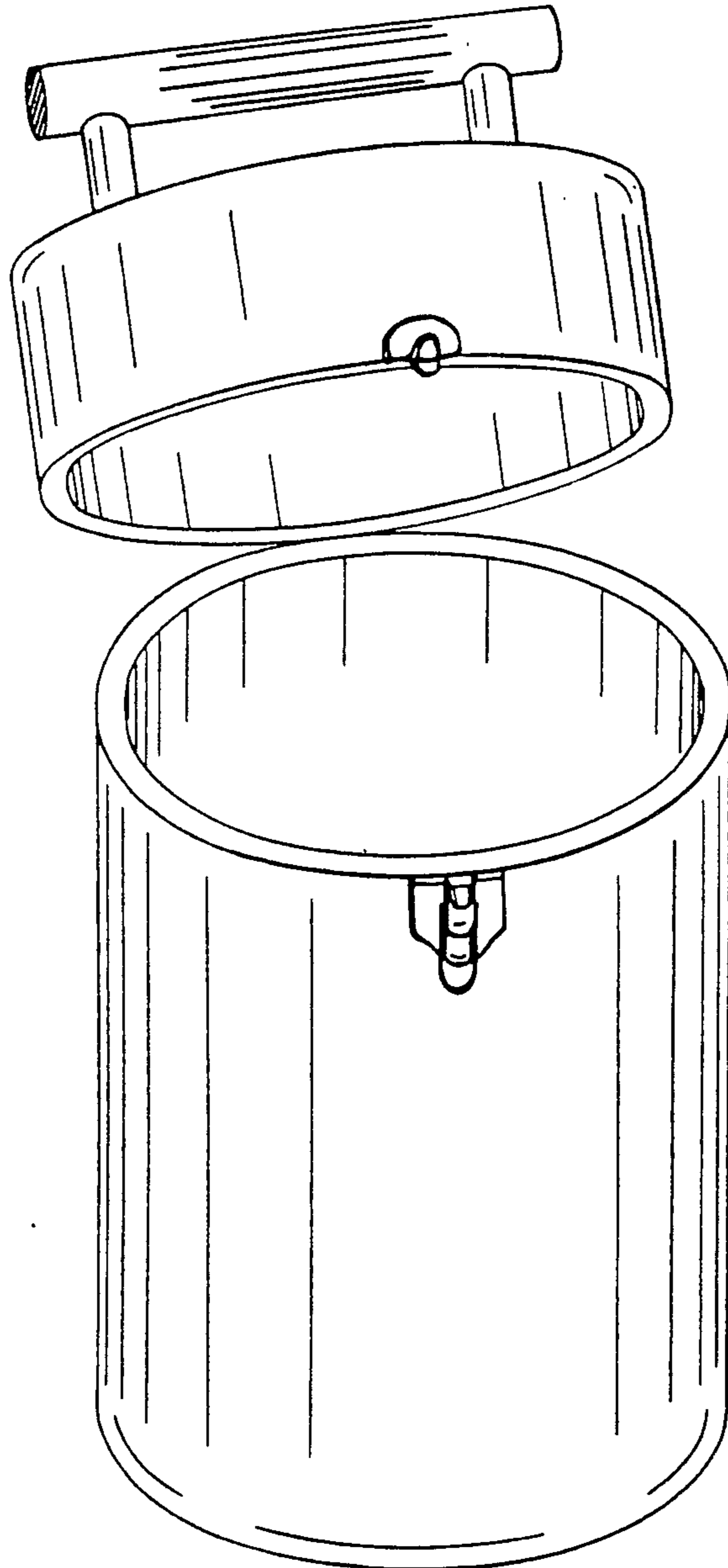
Primary Examiner—Bernard Ansher
Assistant Examiner—Terry A. Pfeffer
Attorney, Agent, or Firm—Thomas C. Saitta

[57] CLAIM

The ornamental design for cooler, as shown and described.

DESCRIPTION

FIG. 1 is a perspective view of a cooler showing my new design, in an open position;
FIG. 2 is a front elevational view thereof;
FIG. 3 is a right side elevational view thereof, the opposite side being a mirror image; and
FIG. 4 is a top plan view thereof.
The undisclosed bottom view is planar and unornamented. The rear hinge is conventional.



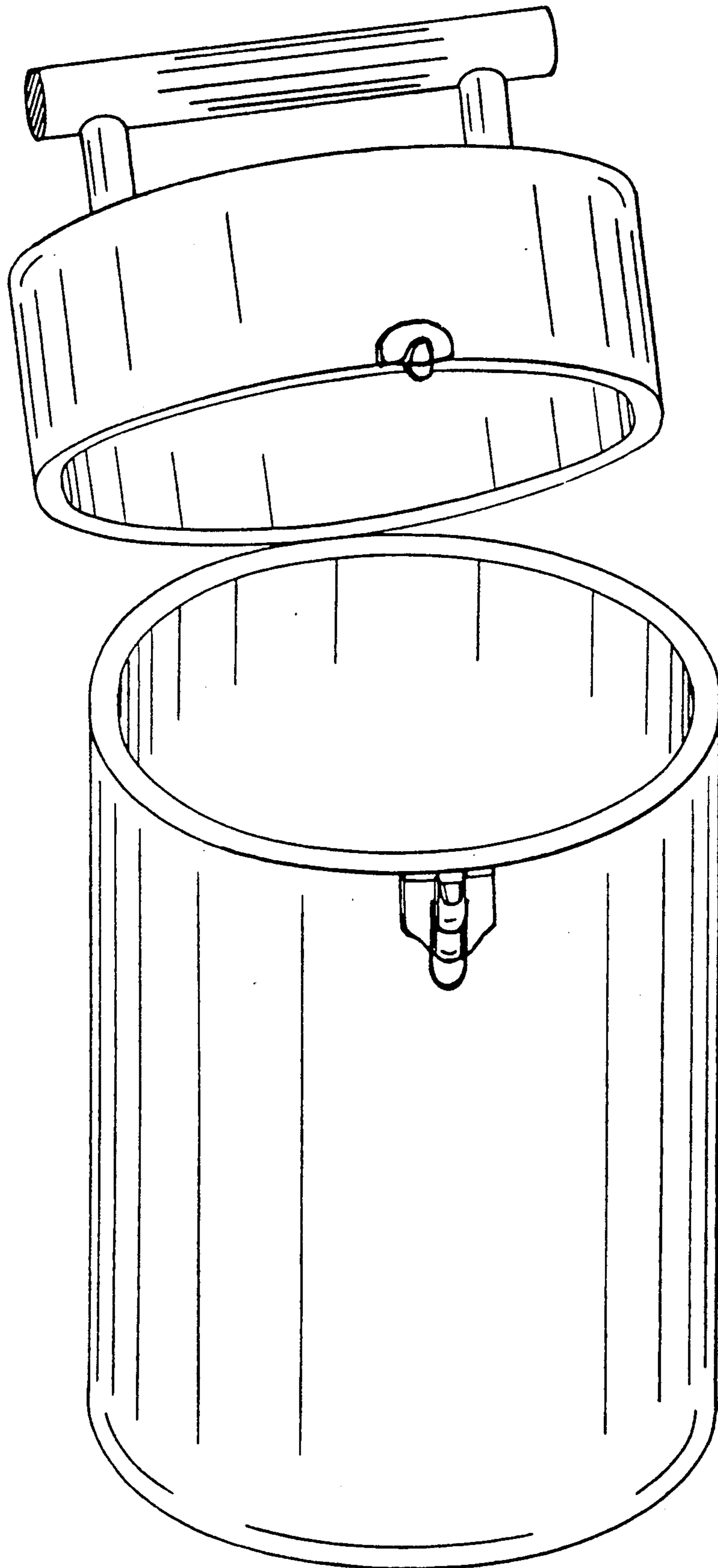


FIG. 1

FIG. 2

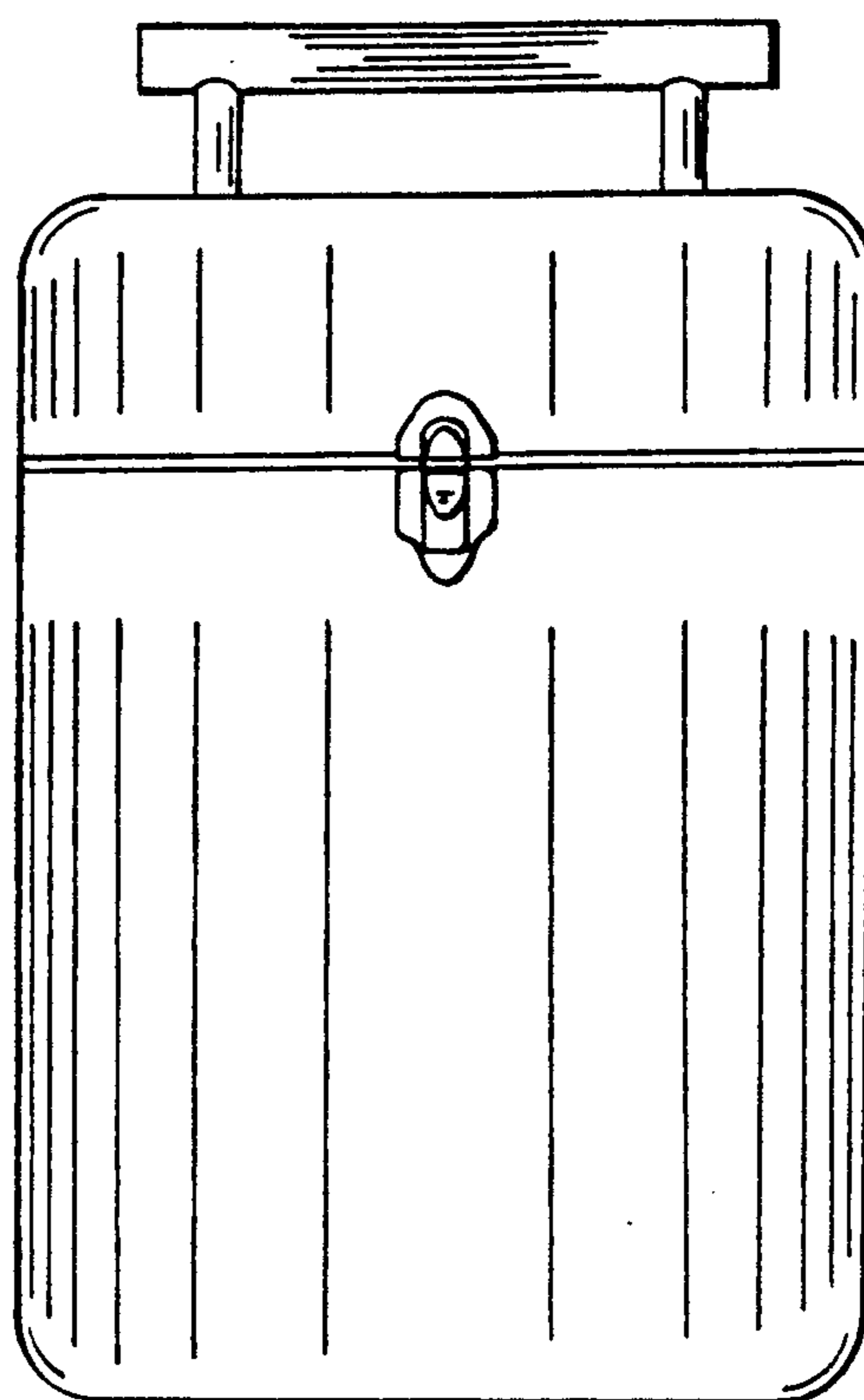


FIG. 3

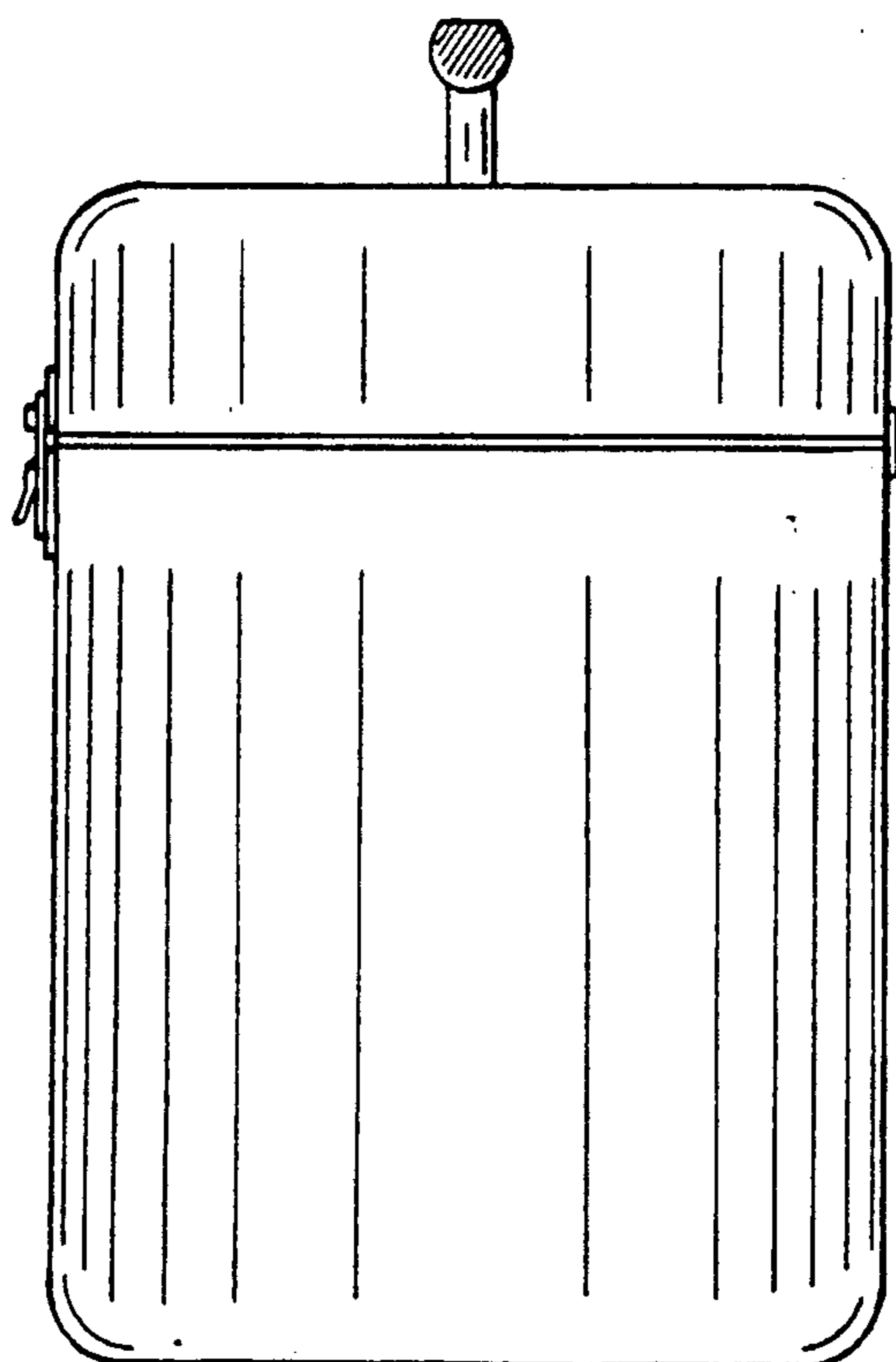


FIG. 4

