

[54] CUP OR SIMILAR ARTICLE

Primary Examiner—Winifred E. Herrmann

[76] Inventor: Jon S. Dewey, 875 Lodge St., Reno, Nev. 89503

[57] CLAIM

The ornamental design for a cup or similar article, as shown and described.

[**] Term: 14 Years

DESCRIPTION

[21] Appl. No.: 277,041

[22] Filed: Nov. 28, 1988

[52] U.S. Cl. D7/535; D7/536

[58] Field of Search D7/507, 509-521, D7/533-536, 622, 394, 396.2, 319; 220/94 A; 215/100 R, 100 A; D8/DIG. 9

FIG. 1 is a front elevational view of a cup or similar article showing my new design;

FIG. 2 is a left-side elevational view thereof;

FIG. 3 is a sectional view taken along lines 3—3 of FIG. 1;

FIG. 4 is a perspective view thereof;

FIG. 5 is a top plan view thereof; and

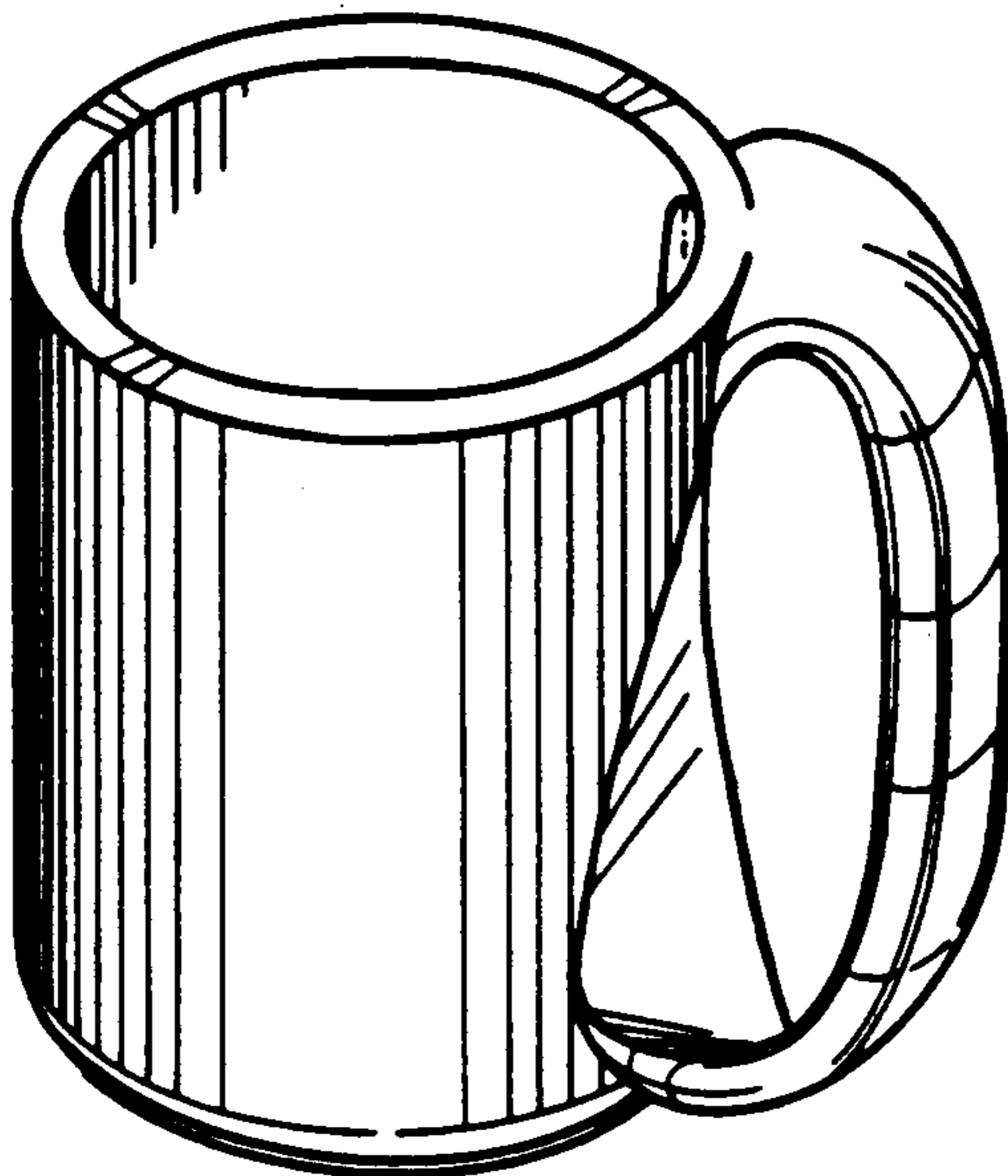
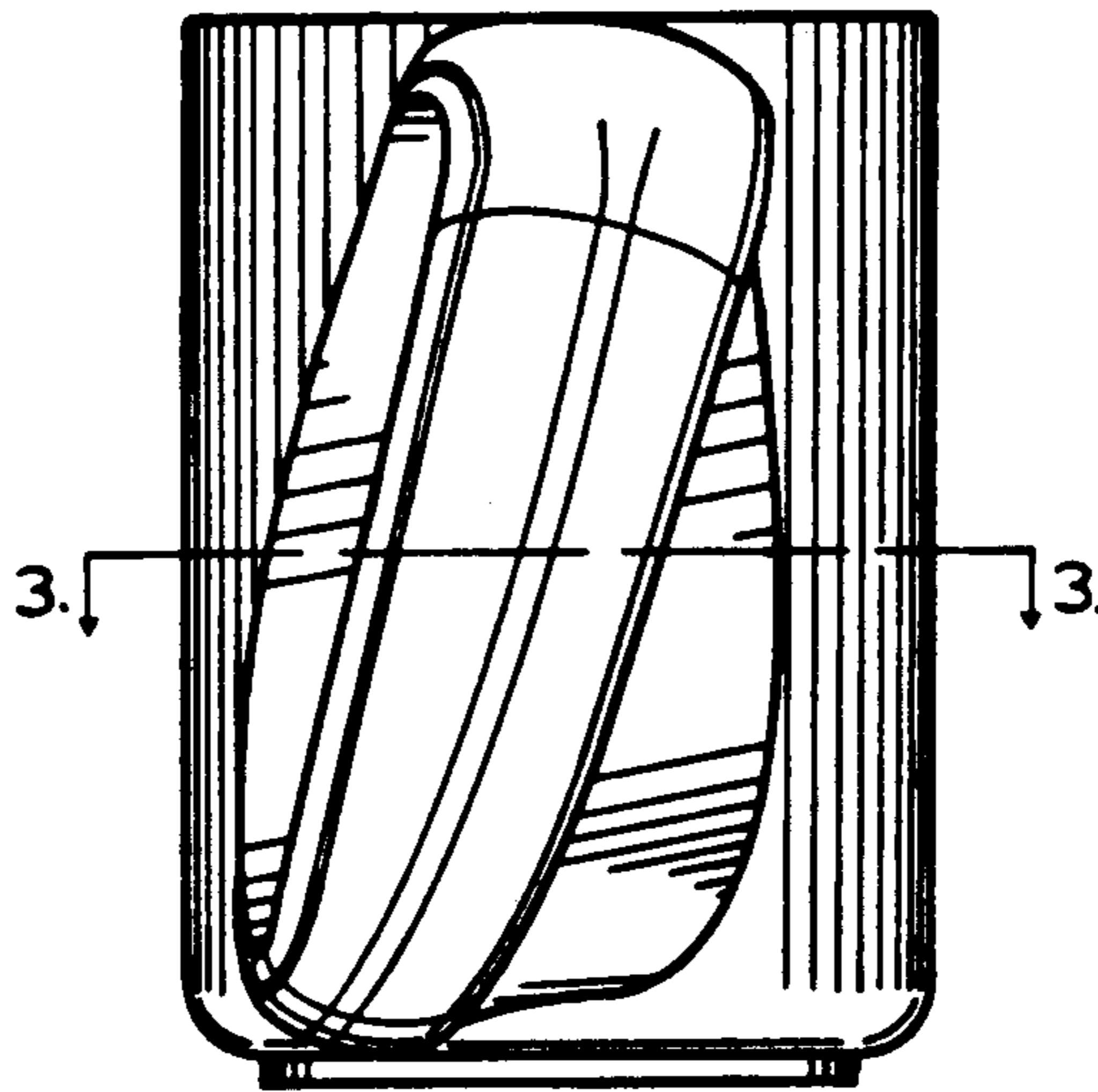
FIG. 6 is a right-side elevational view thereof.

The rear elevational view is substantially an unadorned cylindrical shape as seen in the left portion of the cup in FIG. 2. The bottom of the design is flat and unornamented.

[56] References Cited

U.S. PATENT DOCUMENTS

D. 248,527	7/1978	Bryk	D7/536
D. 273,745	5/1984	Jagger	D7/535
D. 279,948	8/1985	Weernink	D7/536
2,586,199	2/1952	Backus	220/94 A



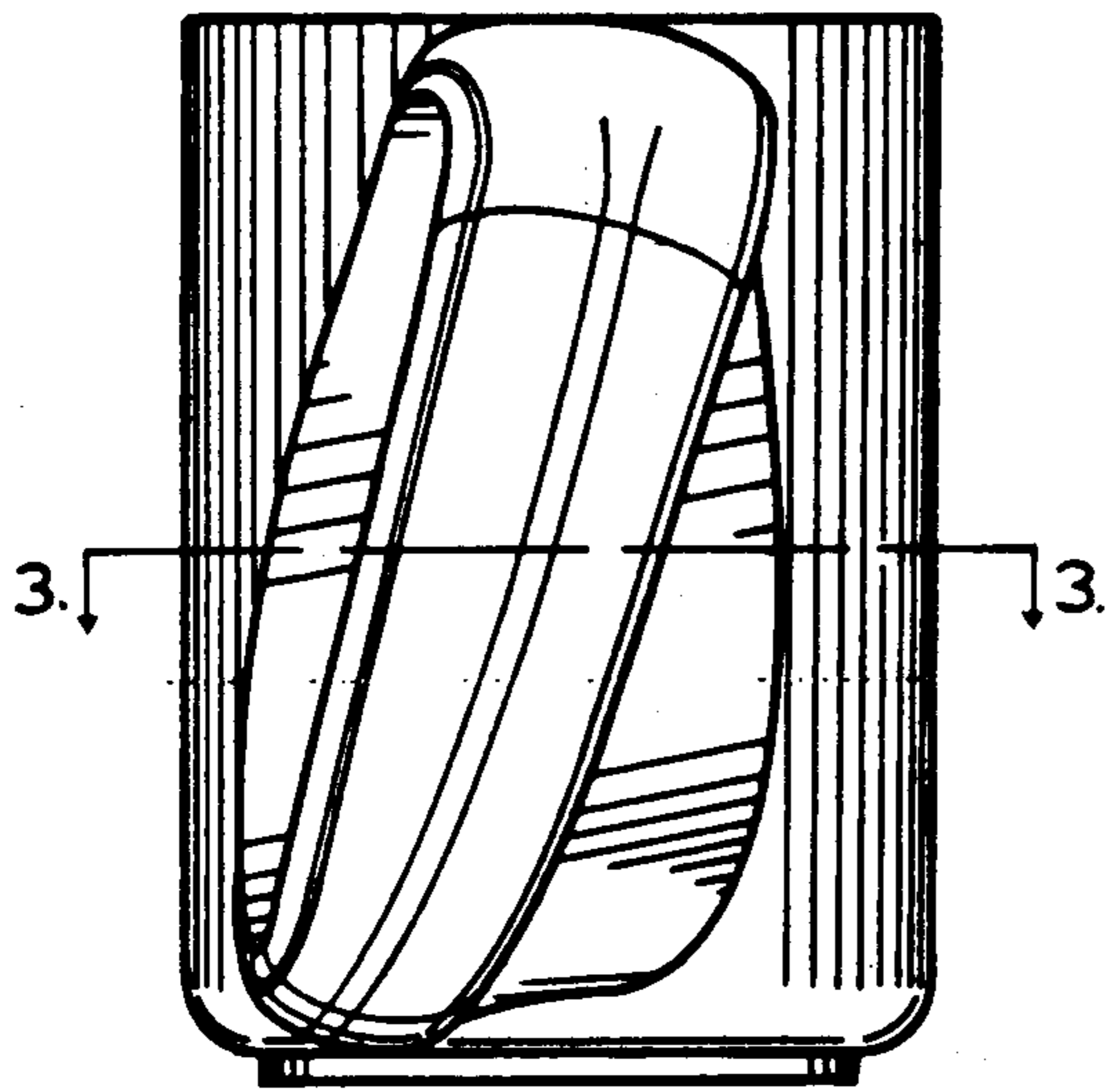


FIG. 1

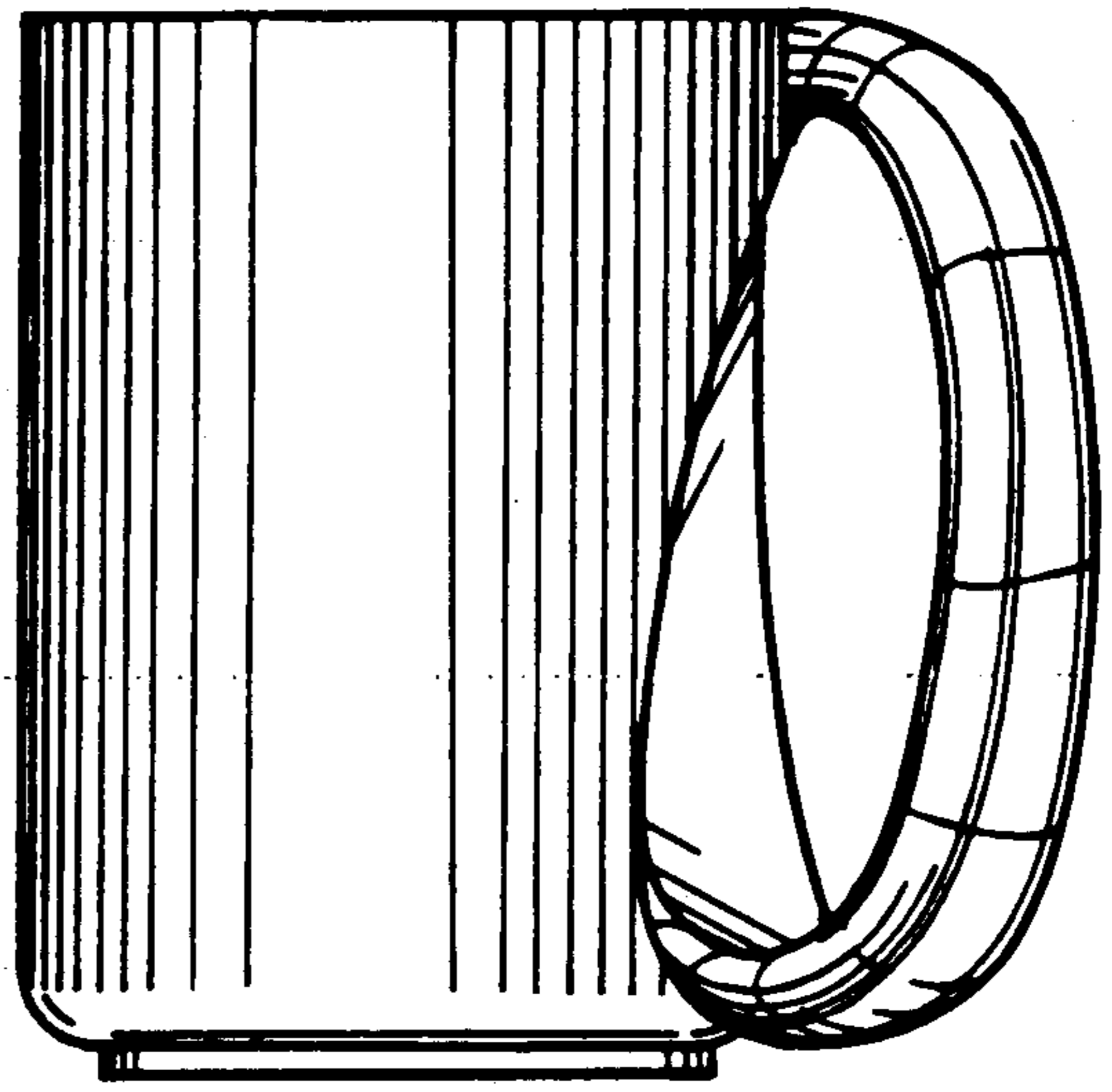


FIG. 2

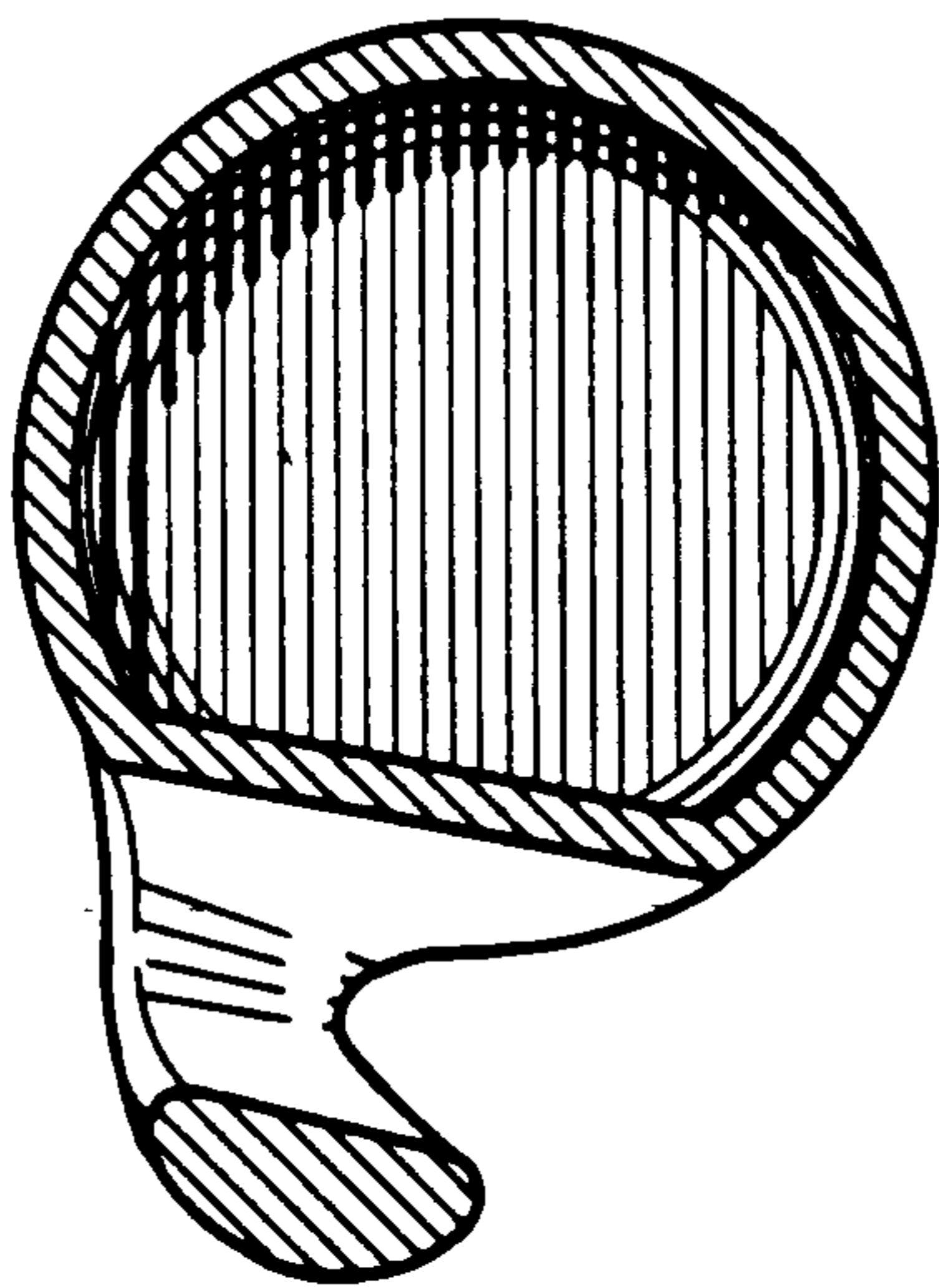


FIG. 3

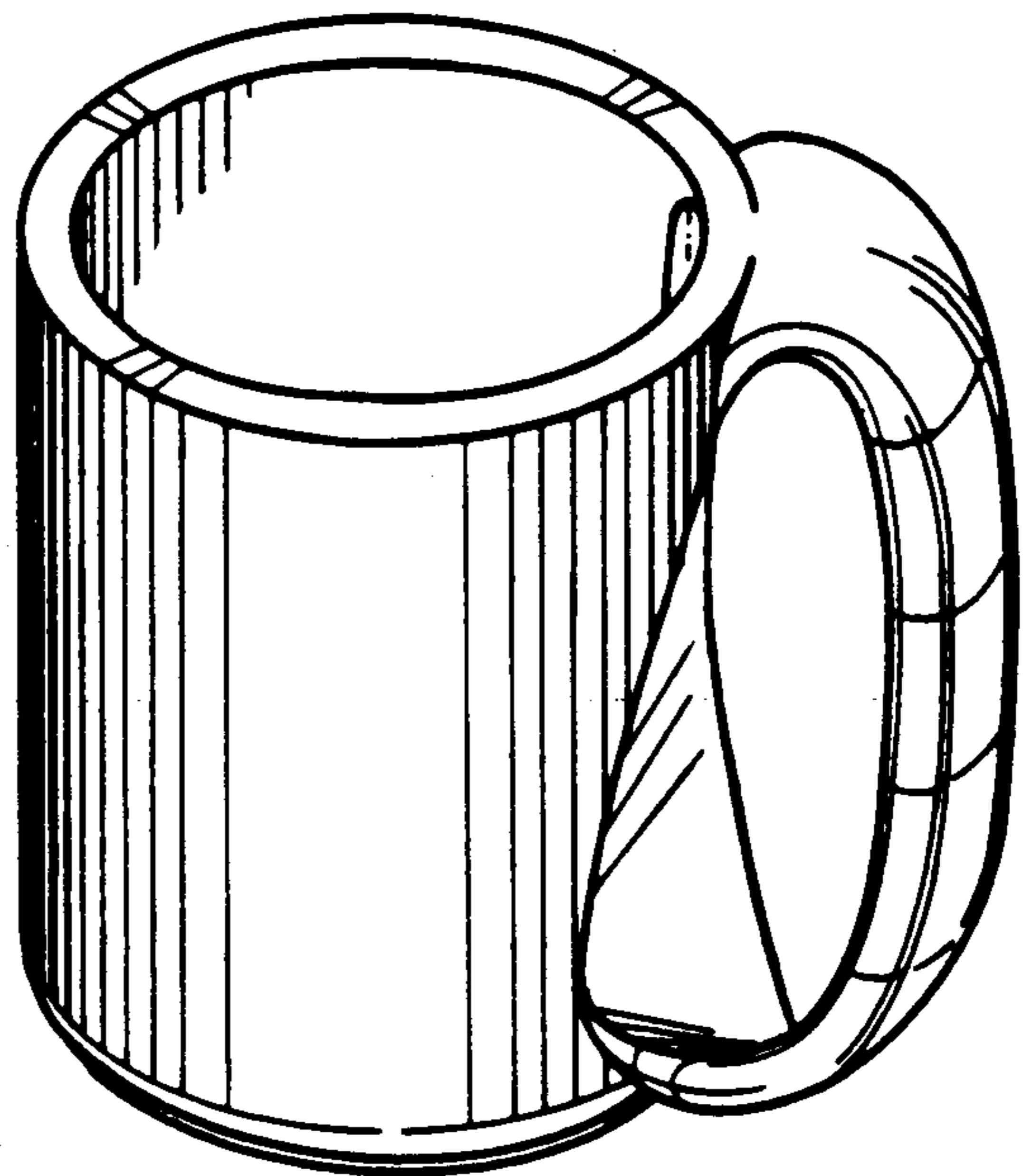


FIG. 4

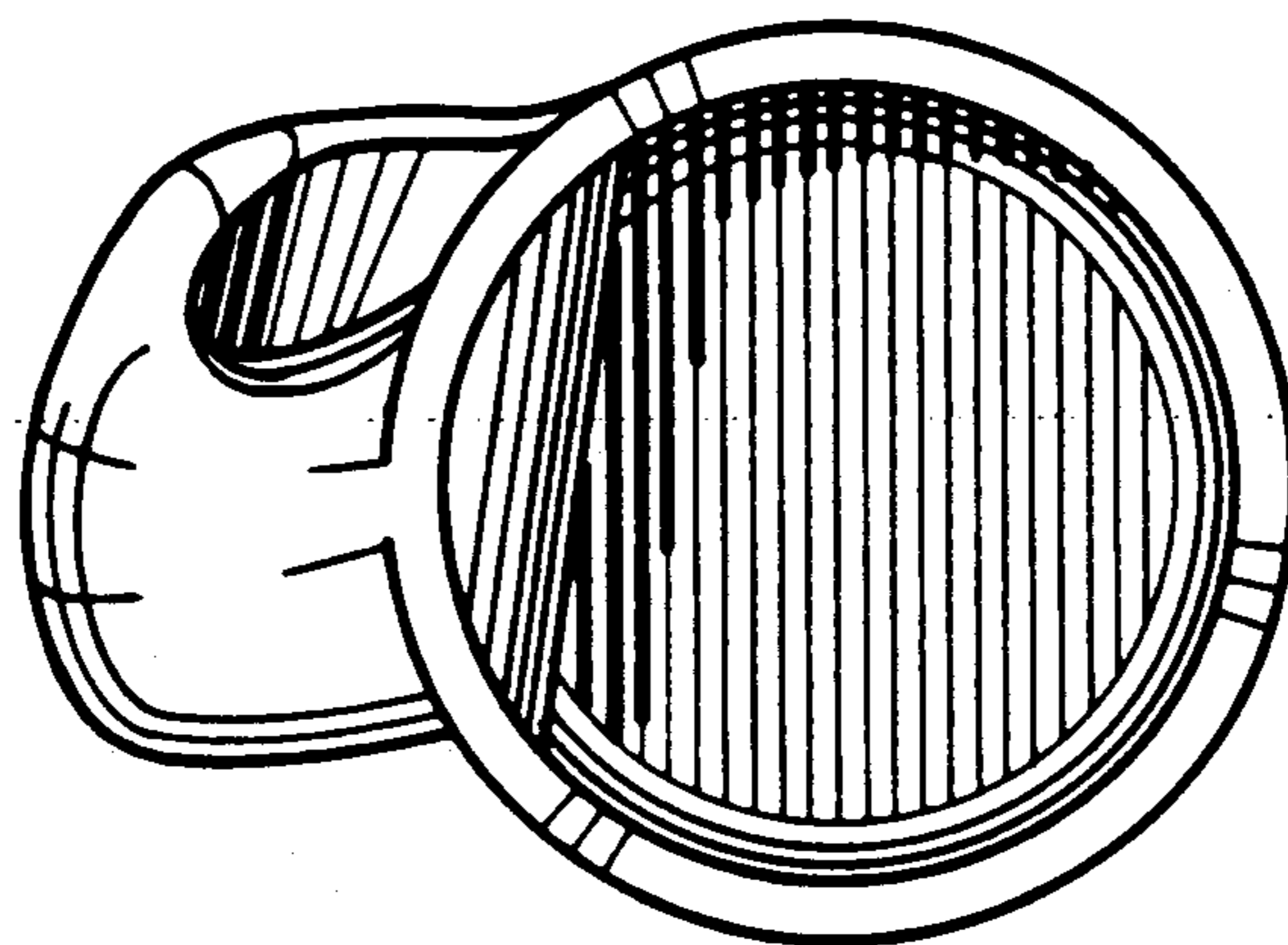


FIG. 5

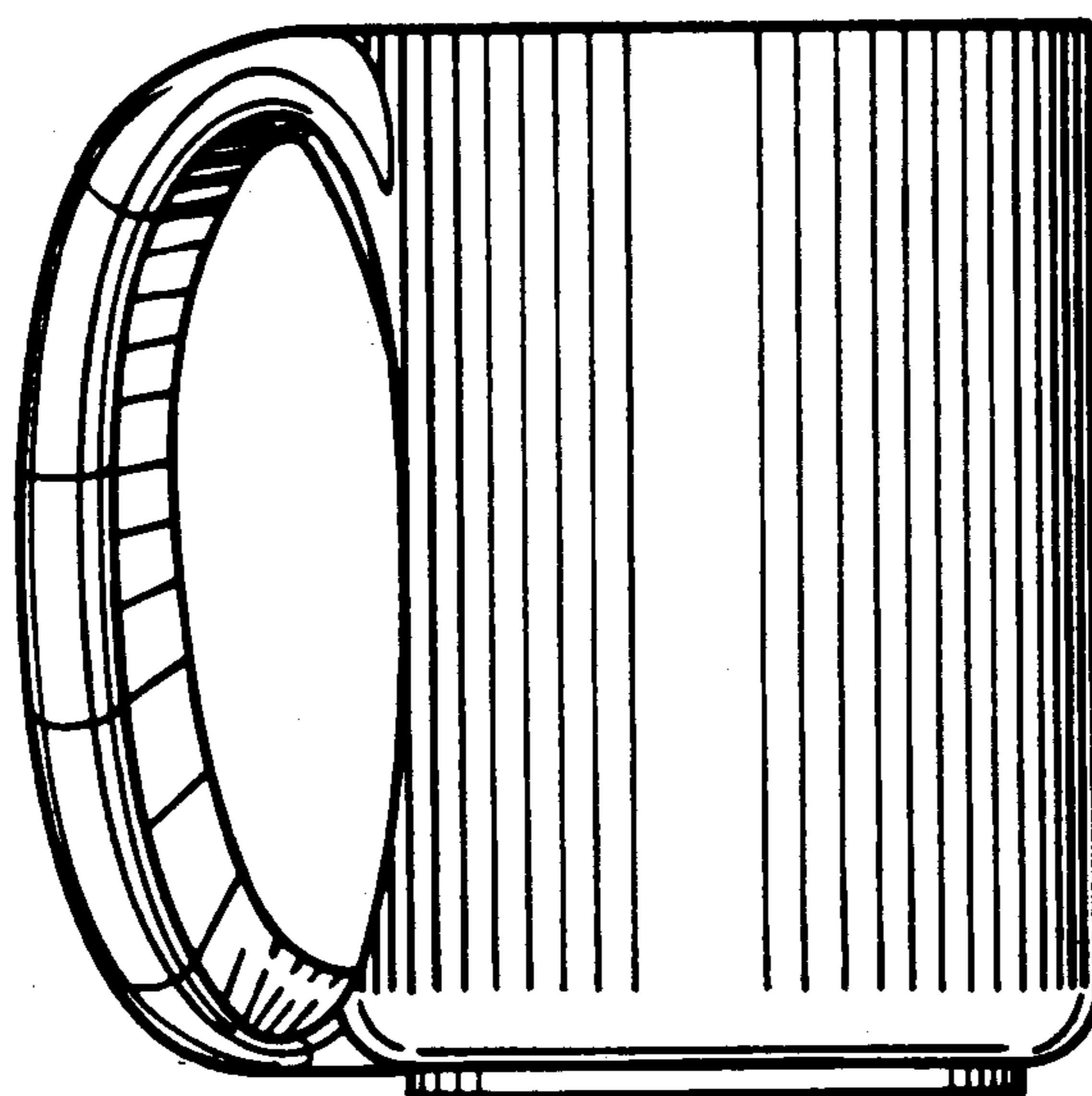


FIG. 6