

[54] HANDLE FOR A CUP OR SIMILAR ARTICLE

[76] Inventor: Jon S. Dewey, 875 Lodge, Reno, Nev. 89503

[\*\*] Term: 14 Years

[21] Appl. No.: 277,045

[22] Filed: Nov. 18, 1988

[52] U.S. Cl. .... D7/394; D7/535

[58] Field of Search ..... D7/507, 509-521, D7/533-536, 622, 394, 396.2, 319; 220/94 A; 215/100 R, 100 A; D8/DIG. 9

[56] **References Cited**

**U.S. PATENT DOCUMENTS**

D. 154,217	6/1949	Roberts	.....	D7/ 509-521, D7 535
1,704,278	3/1929	Blumenthal	.....	220/94 A
2,586,199	2/1952	Backus	.....	220/94 A
2,661,609	12/1953	Revell	.....	220/94 A
4,220,079	9/1980	Sims	.....	D7/536 X

Primary Examiner—Winifred E. Herrmann

[57] CLAIM

The ornamental design for a handle for a cup or similar article, as shown and described.

DESCRIPTION

FIG. 1 is a front elevational view of a handle for a cup or similar article showing my new design;

FIG. 2 is a left-side elevational view thereof;

FIG. 3 is a sectional view taken along lines 3—3 of FIG. 1 and of FIG. 9;

FIG. 4 is a top perspective view thereof;

FIG. 5 is a right-side elevational view thereof;

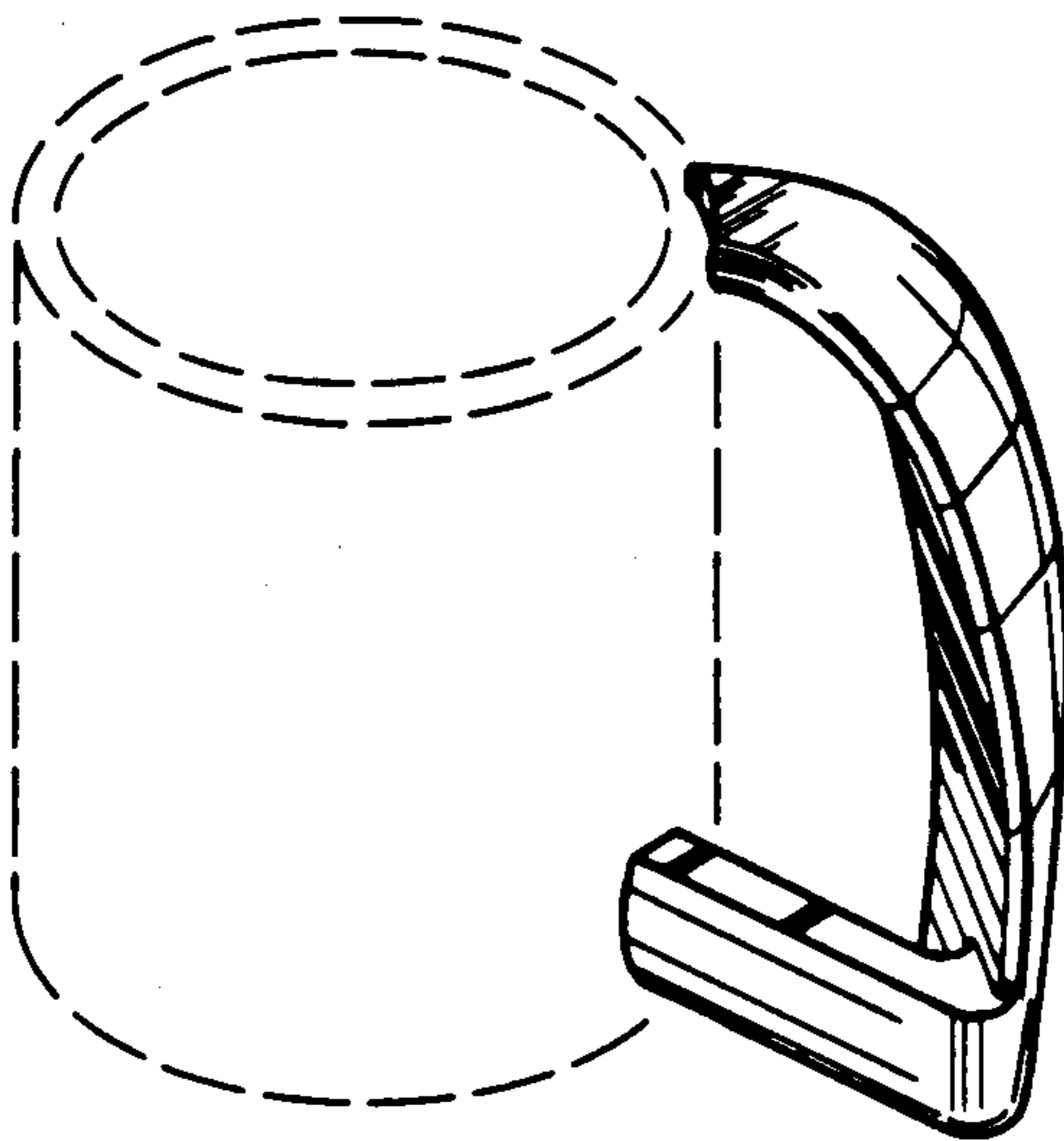
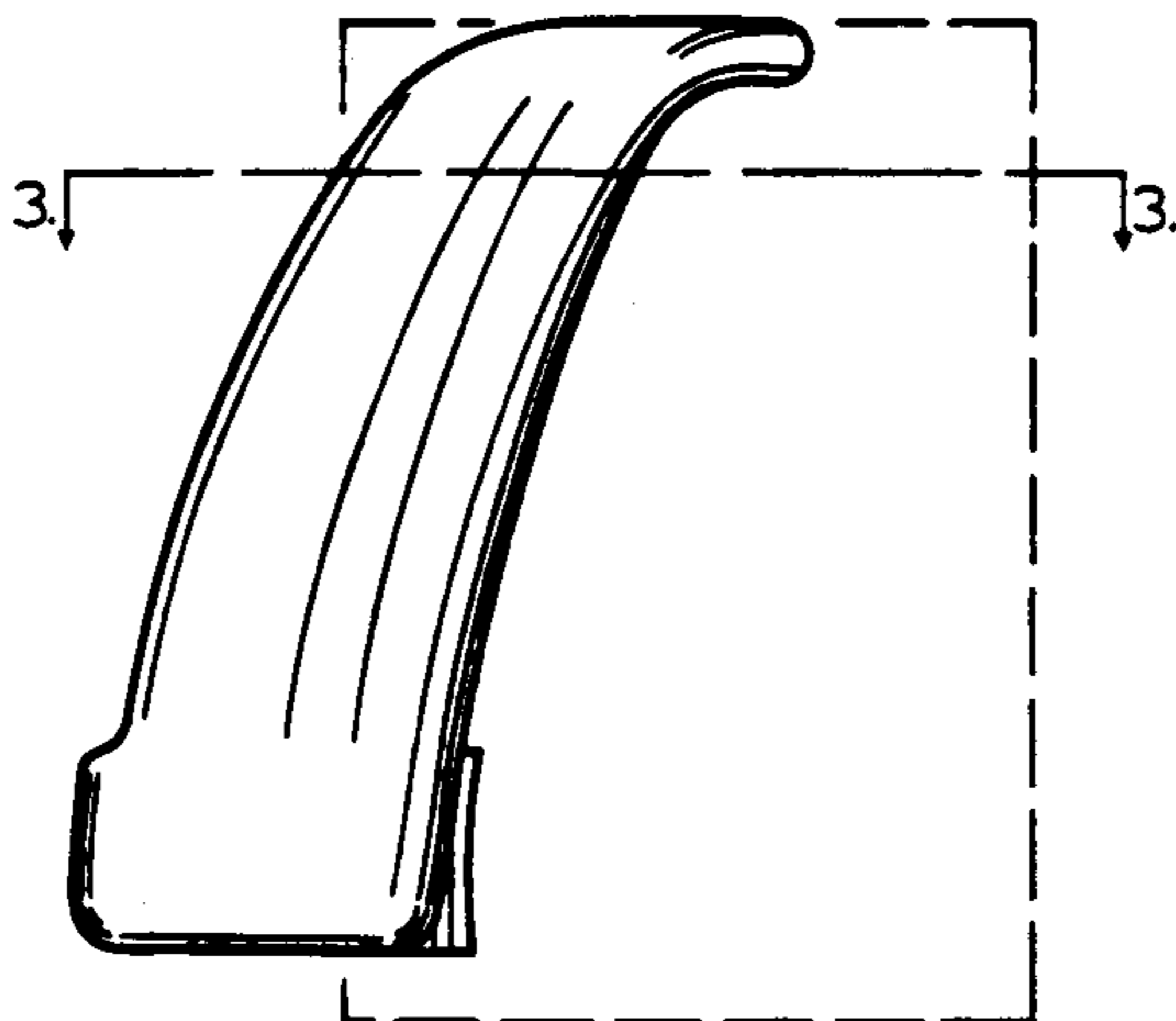
FIG. 6 is a top plan view thereof;

FIG. 7 is a sectional view taken along lines 7—7 of FIG. 6;

FIG. 8 is a bottom plan view thereof; and

FIG. 9 is a rear elevational view thereof.

The broken line showing of a beverage cup in FIGS. 1-9 is illustrative of environmental structure only and forms no part of the claimed design.



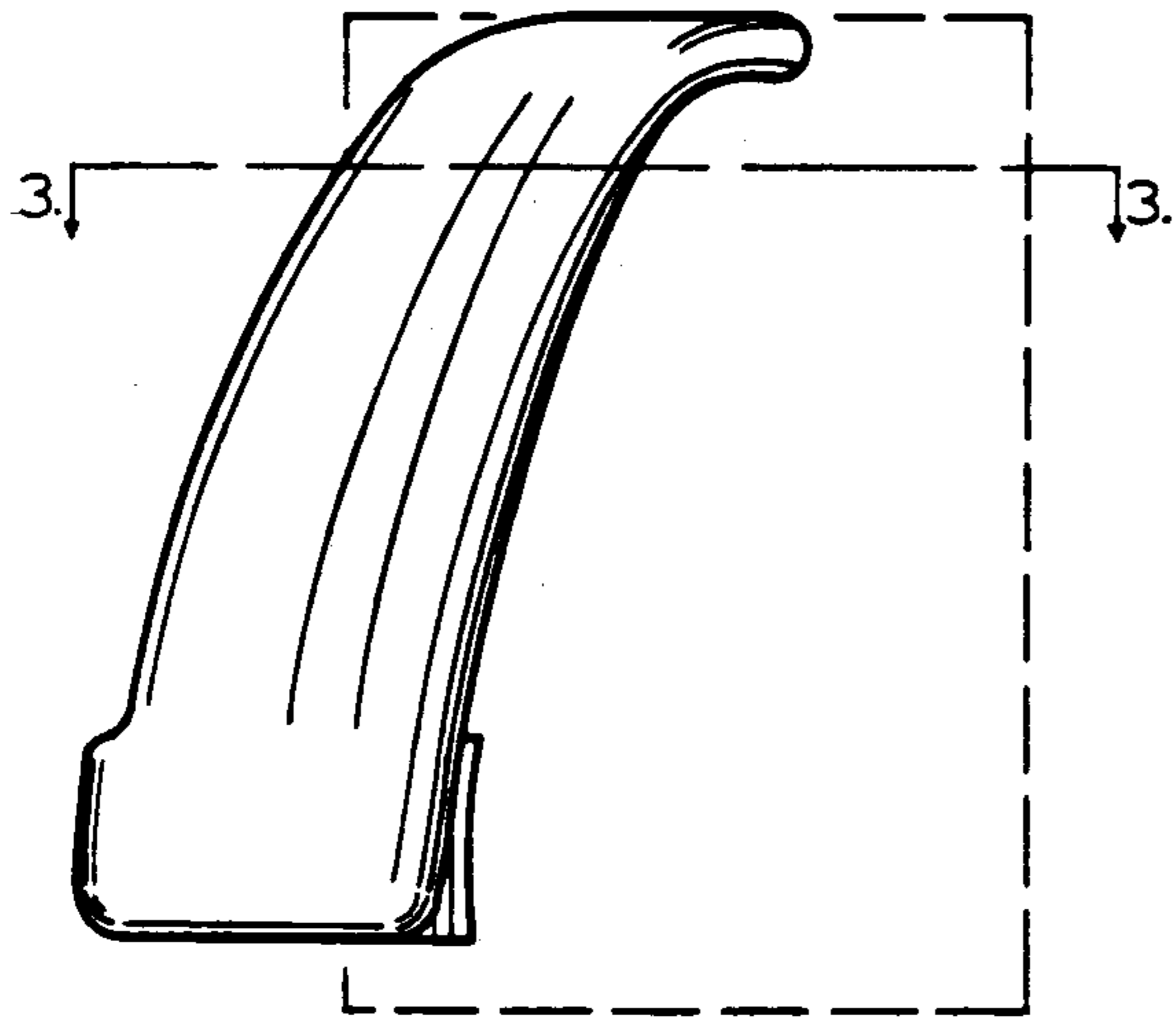


FIG. 1

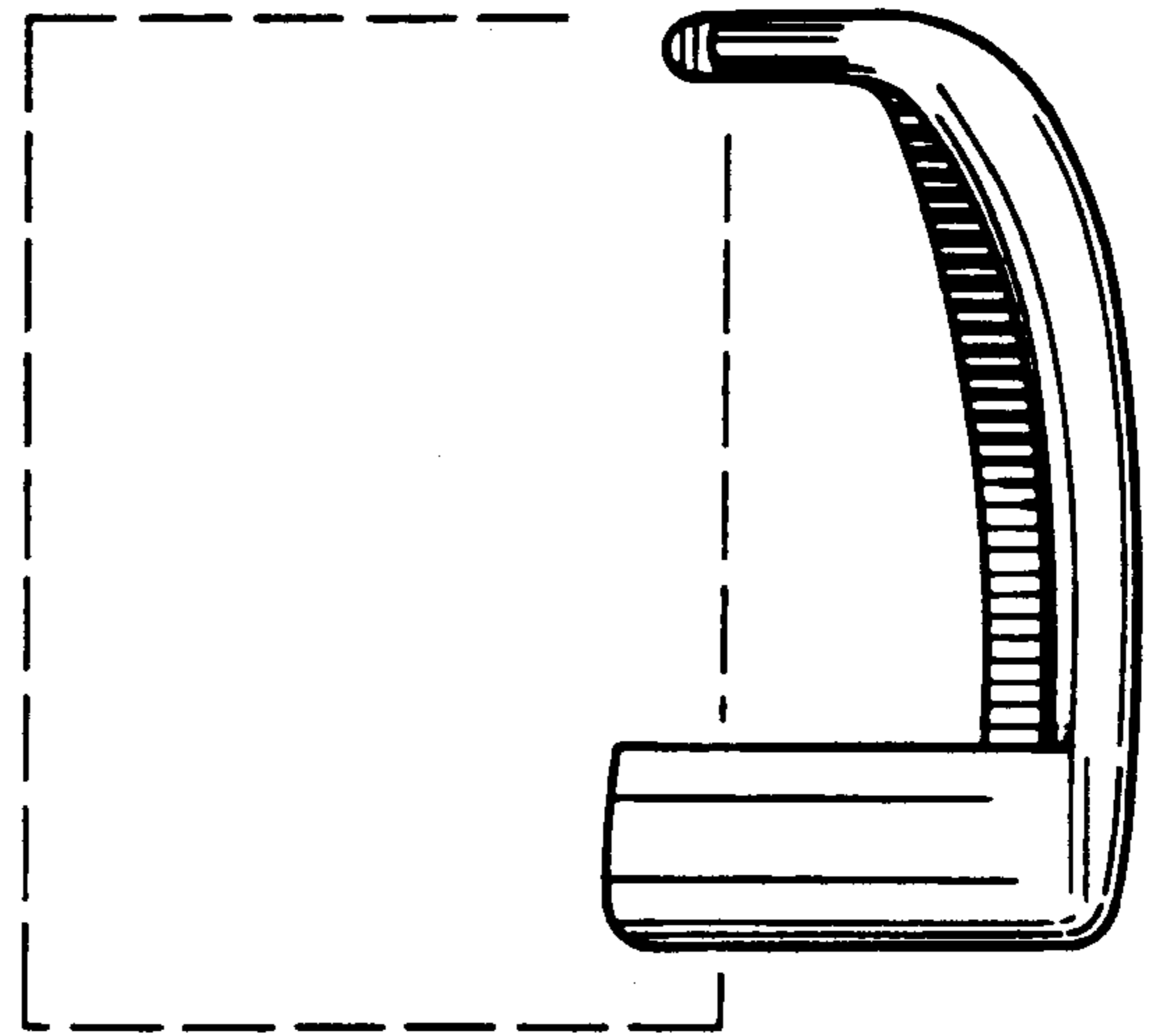


FIG. 2

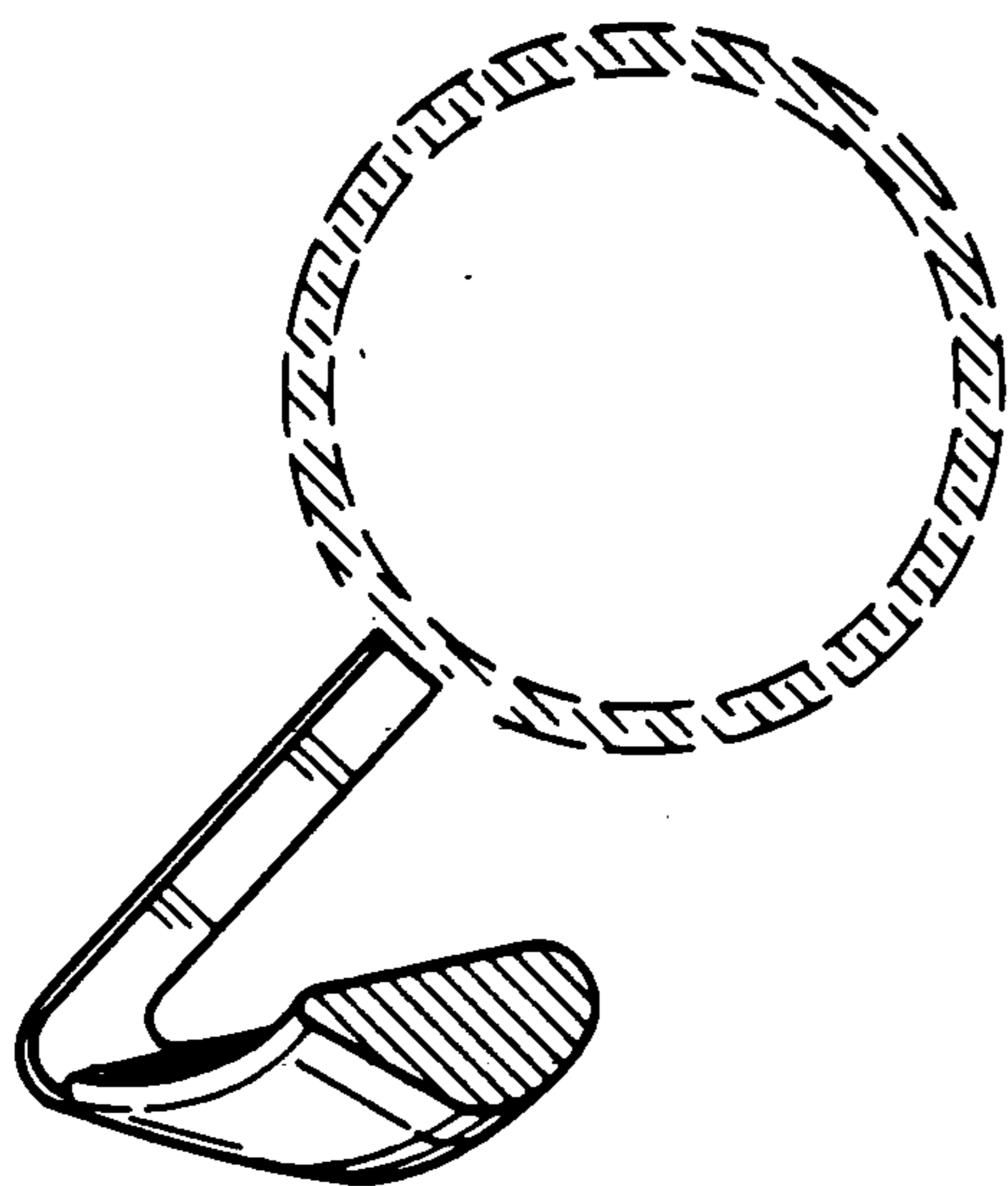


FIG. 3

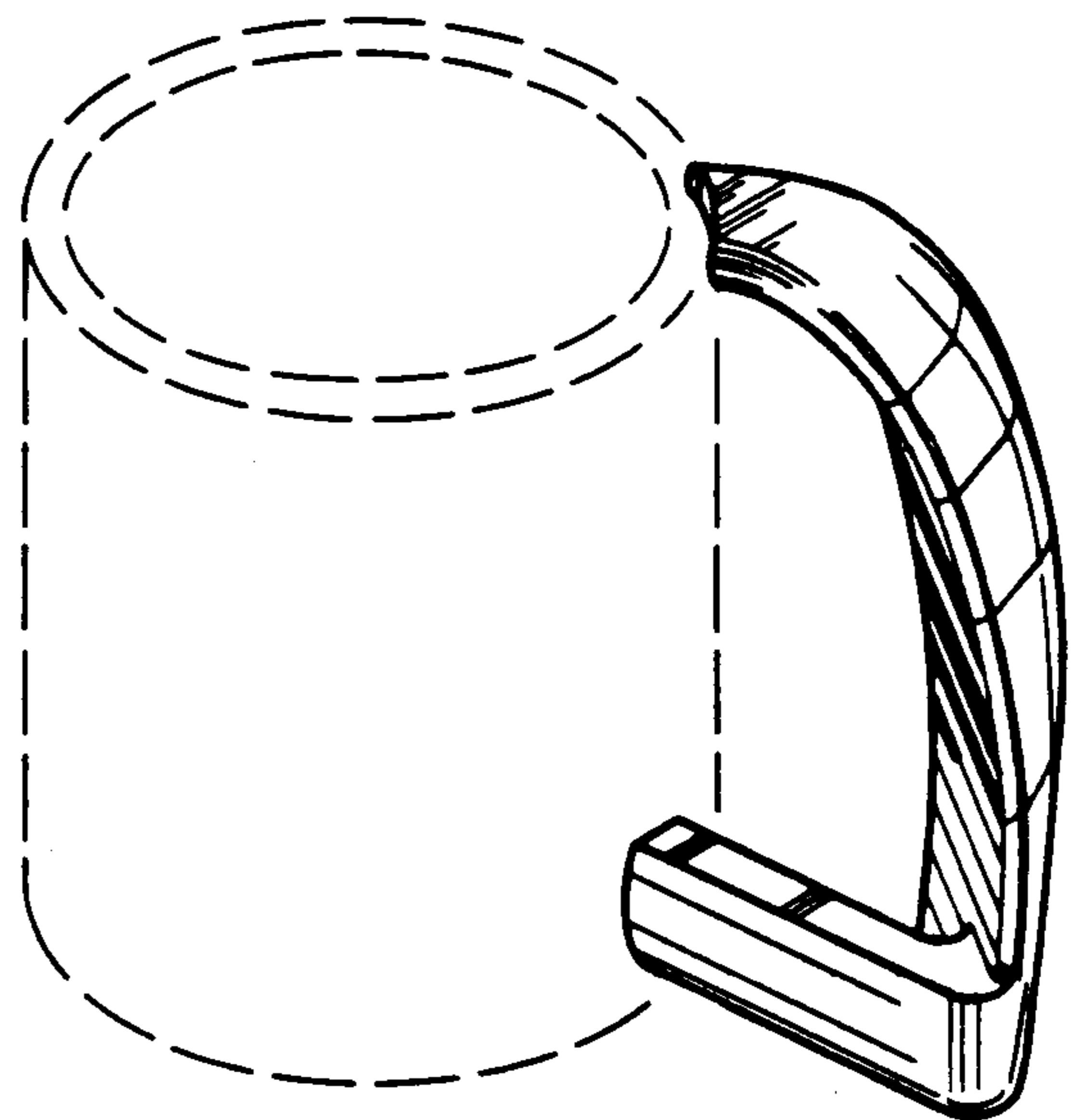


FIG. 4

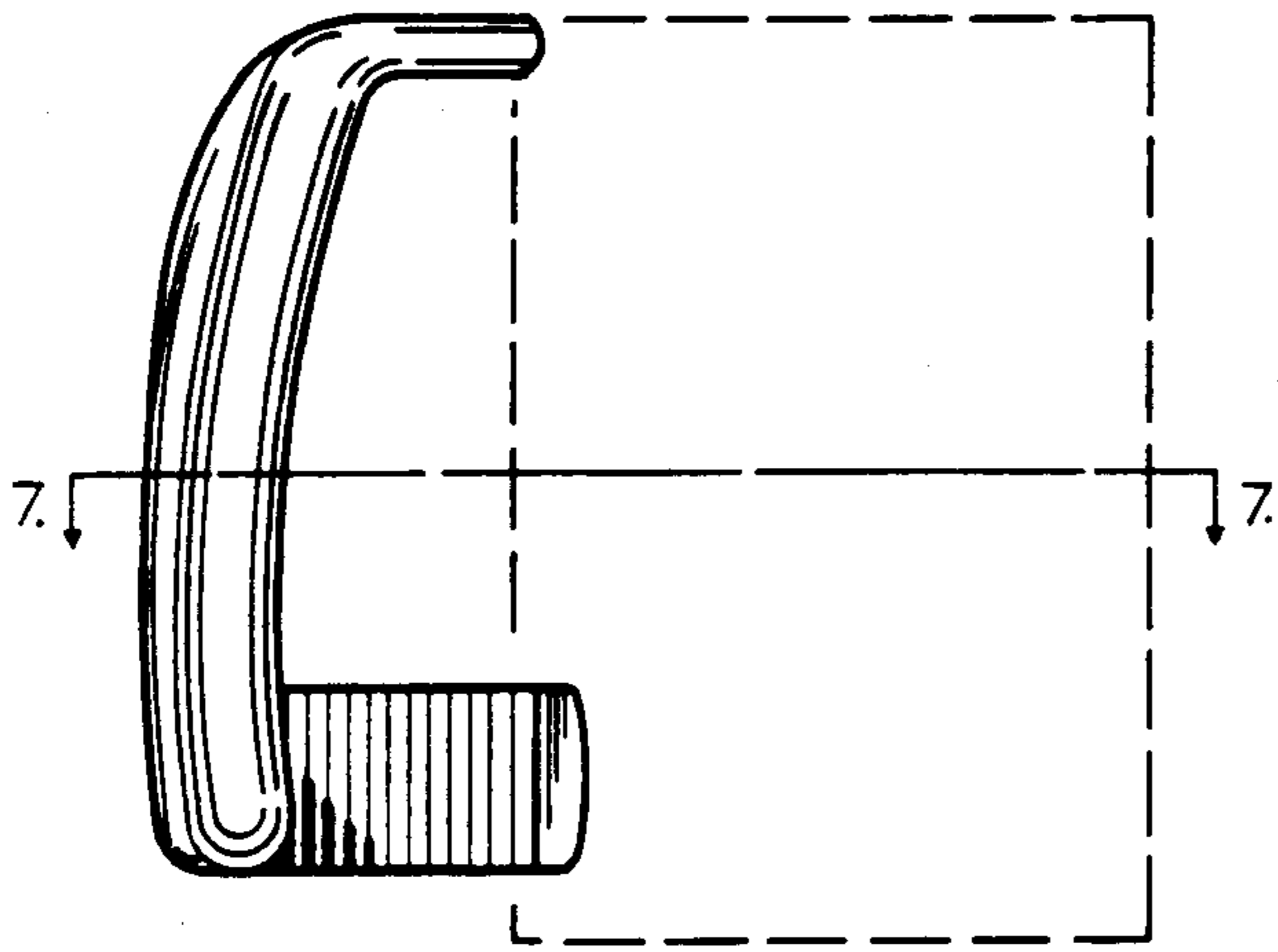


FIG. 5

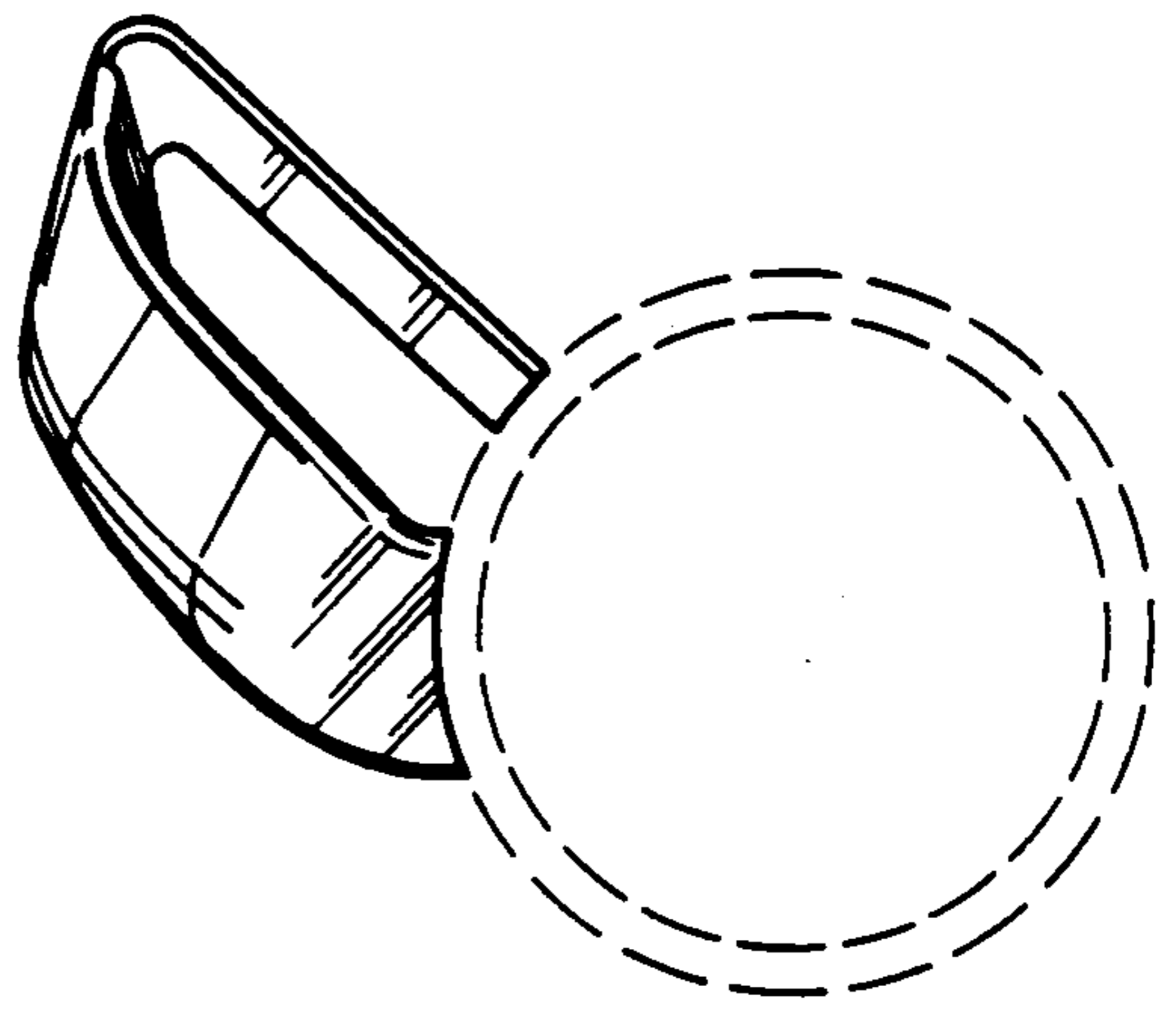


FIG. 6

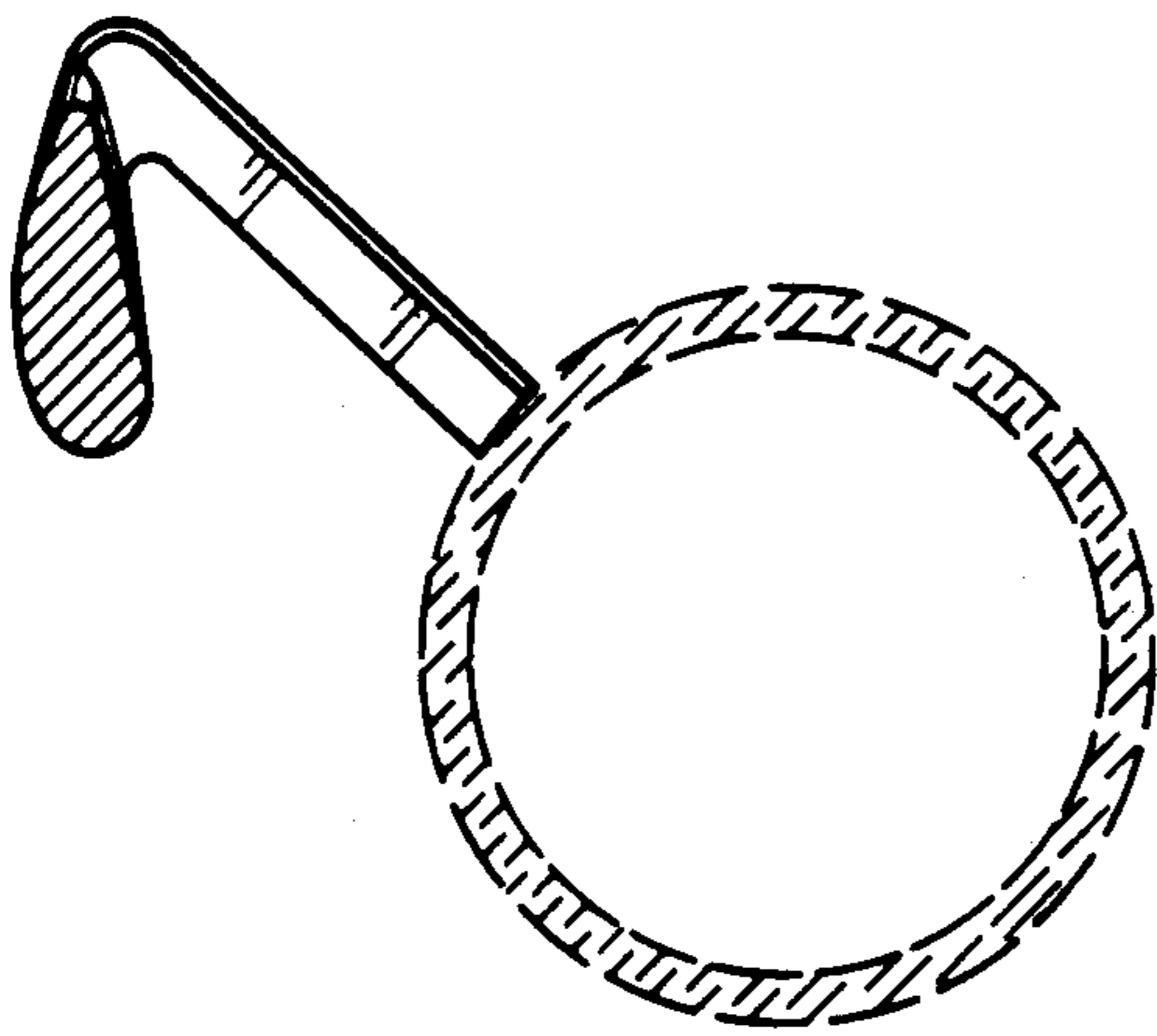


FIG. 7

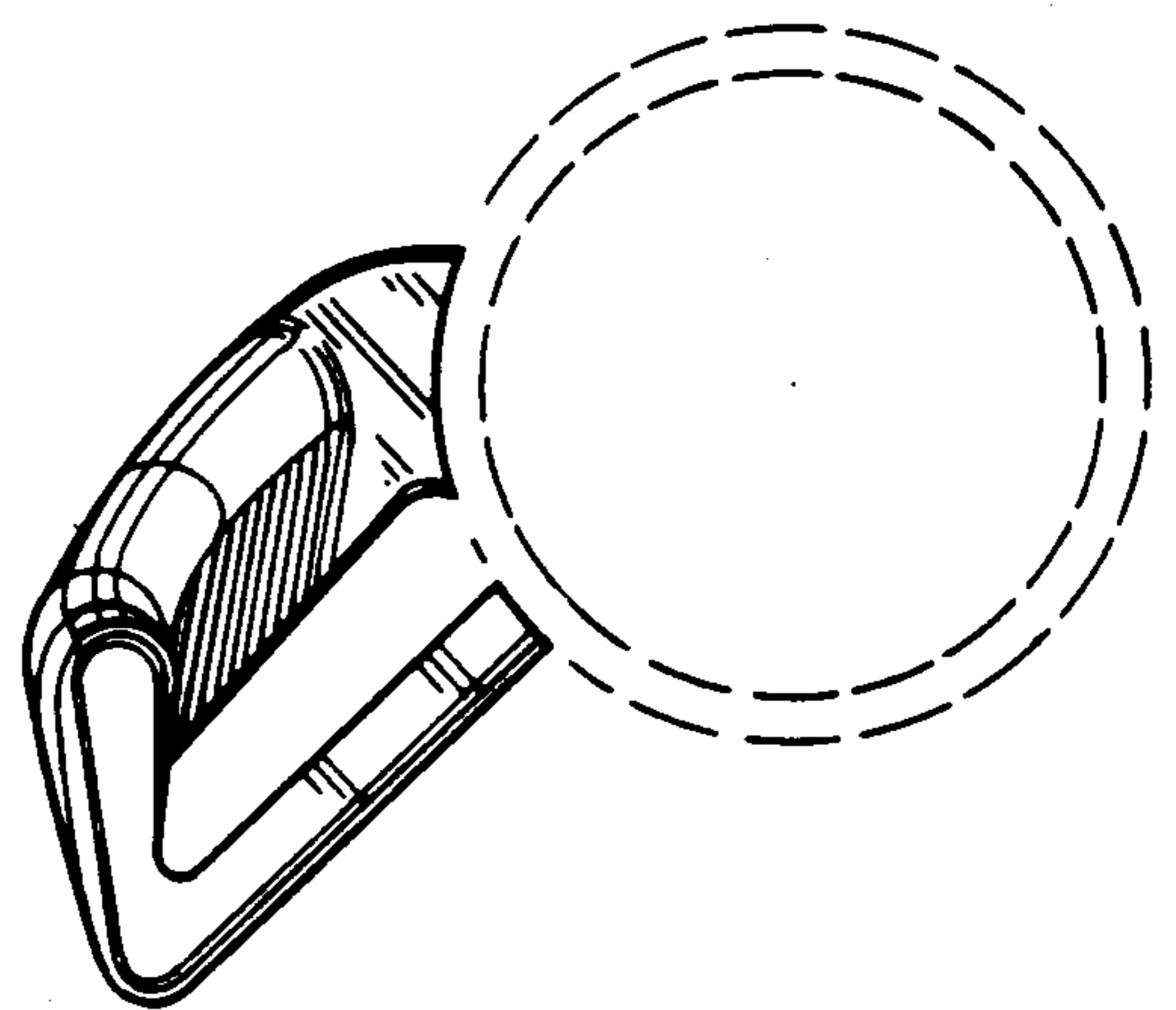


FIG. 8

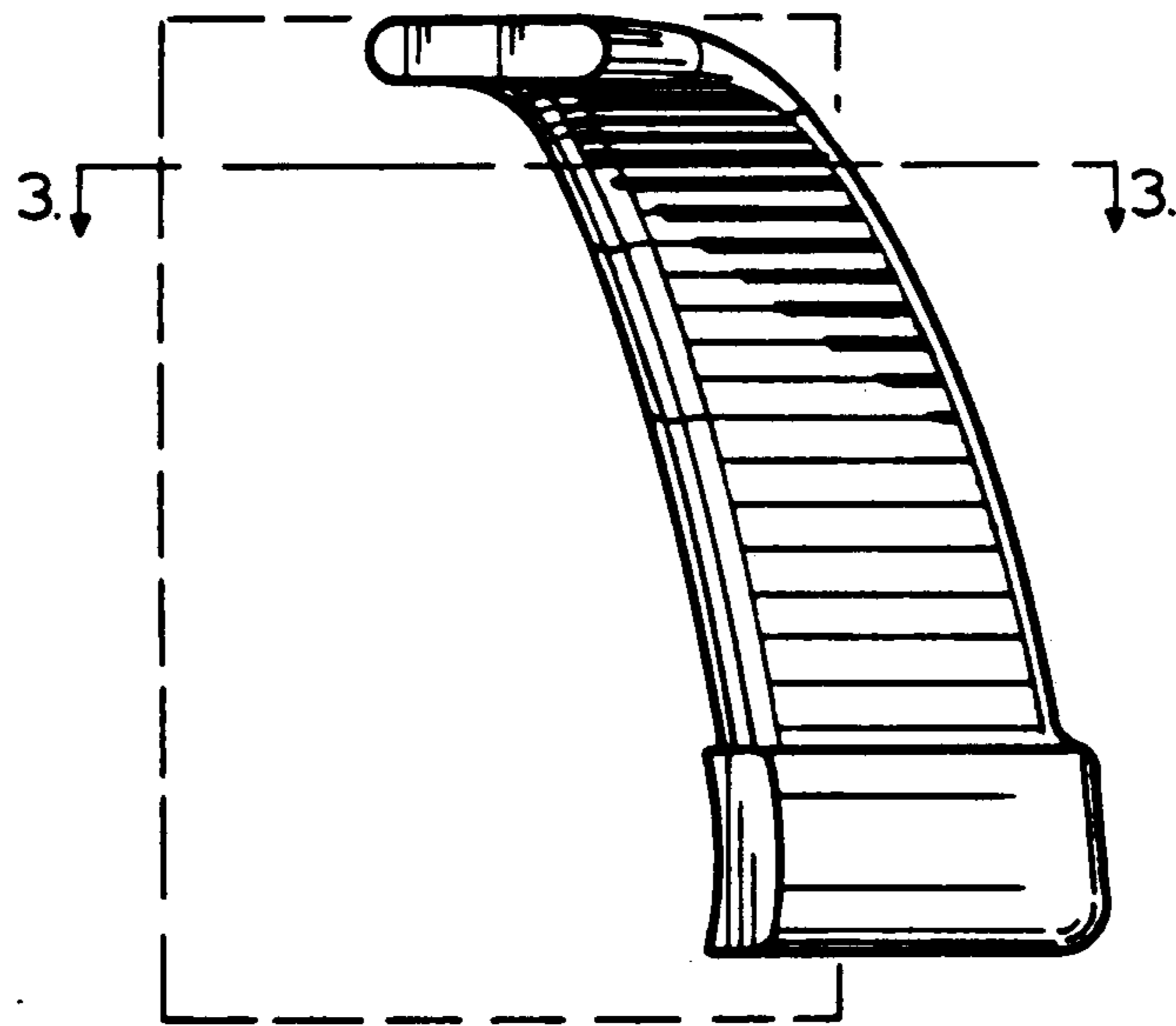


FIG. 9