

[54] **STAND FOR A BEVERAGE SERVER AND  
CONDIMENTS**

[75] **Inventor: David D. Boyd, Portland, Oreg.**

[73] **Assignee: Boyd Coffee Company, Portland,  
Oreg.**

[\*] **Notice: The portion of the term of this patent  
subsequent to Feb. 5, 2005 has been  
disclaimed.**

[\*\*] **Term: 14 Years**

[21] **Appl. No.: 91,094**

[22] **Filed: Aug. 31, 1987**

[52] **U.S. Cl. .... D6/467; D6/476;  
D7/305; D7/397**

[58] **Field of Search ..... D6/474, 475, 476, 467,  
D6/466, 449; D7/665, 378, 397, 399, 388, 305,  
308**

[56] **References Cited**

**U.S. PATENT DOCUMENTS**

D. 290,914 7/1987 Carlson ..... D7/388 X  
4,640,483 2/1987 Tuft ..... D7/397 X  
4,699,342 10/1987 Bartz et al. .... D7/397

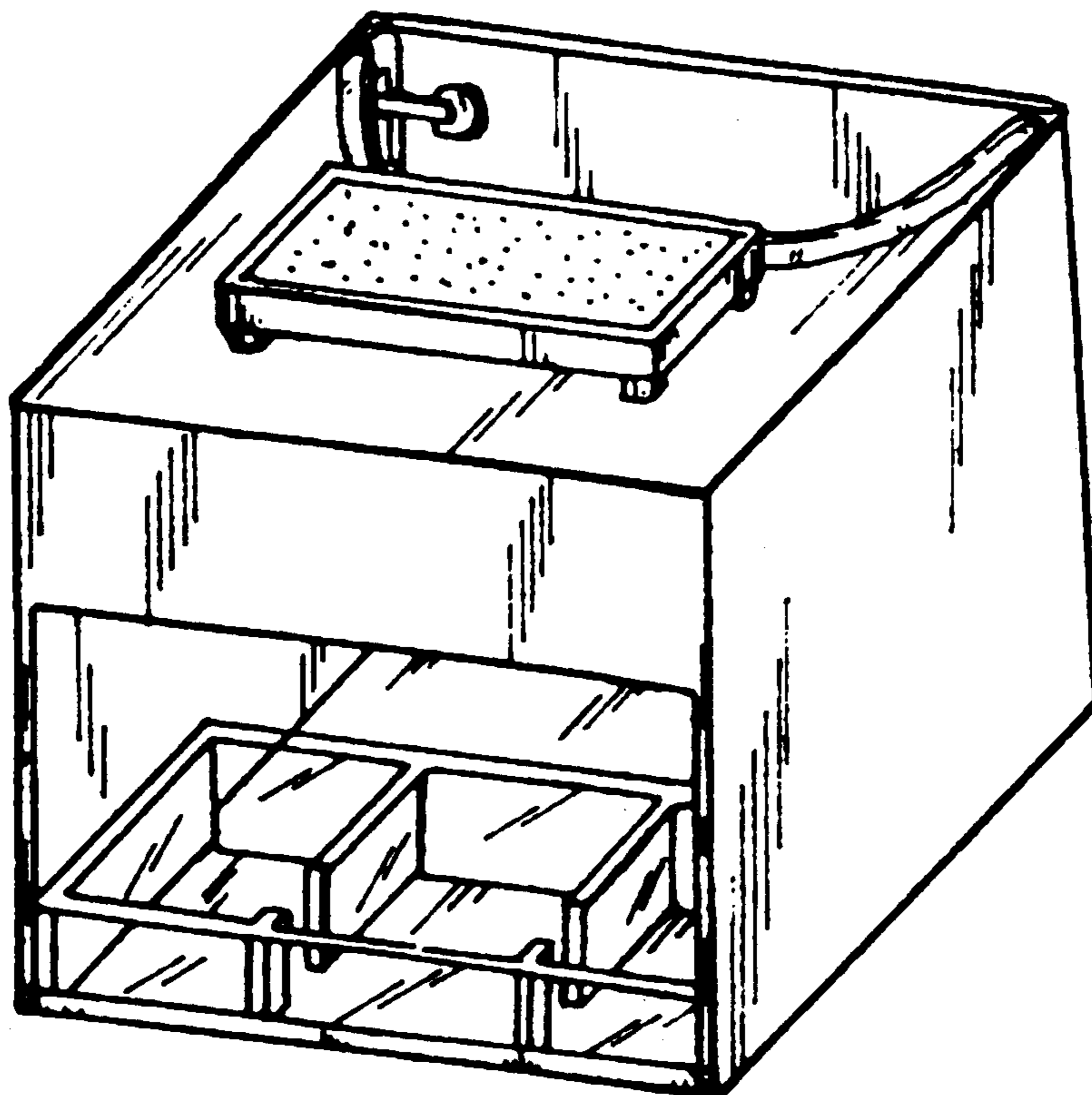
*Primary Examiner*—Bruce W. Dunkins  
*Assistant Examiner*—Jeffrey Asch  
*Attorney, Agent, or Firm*—Kolisch, Hartwell,  
Dickinson, McCormack & Heuser

[57] **CLAIM**

The ornamental design for a stand for a beverage server and condiments, as shown and described.

**DESCRIPTION**

FIG. 1 is a front elevational view of a stand for a beverage server and condiments showing my new design. FIG. 2 is a right side elevational view, the left side being a mirror image thereof, with a beverage server being shown in broken lines for illustrative purposes only. FIG. 3 is a rear elevational view with a beverage server being shown in broken lines for illustrative purposes only. FIG. 4 is a top plan view. FIG. 5 is a perspective view.



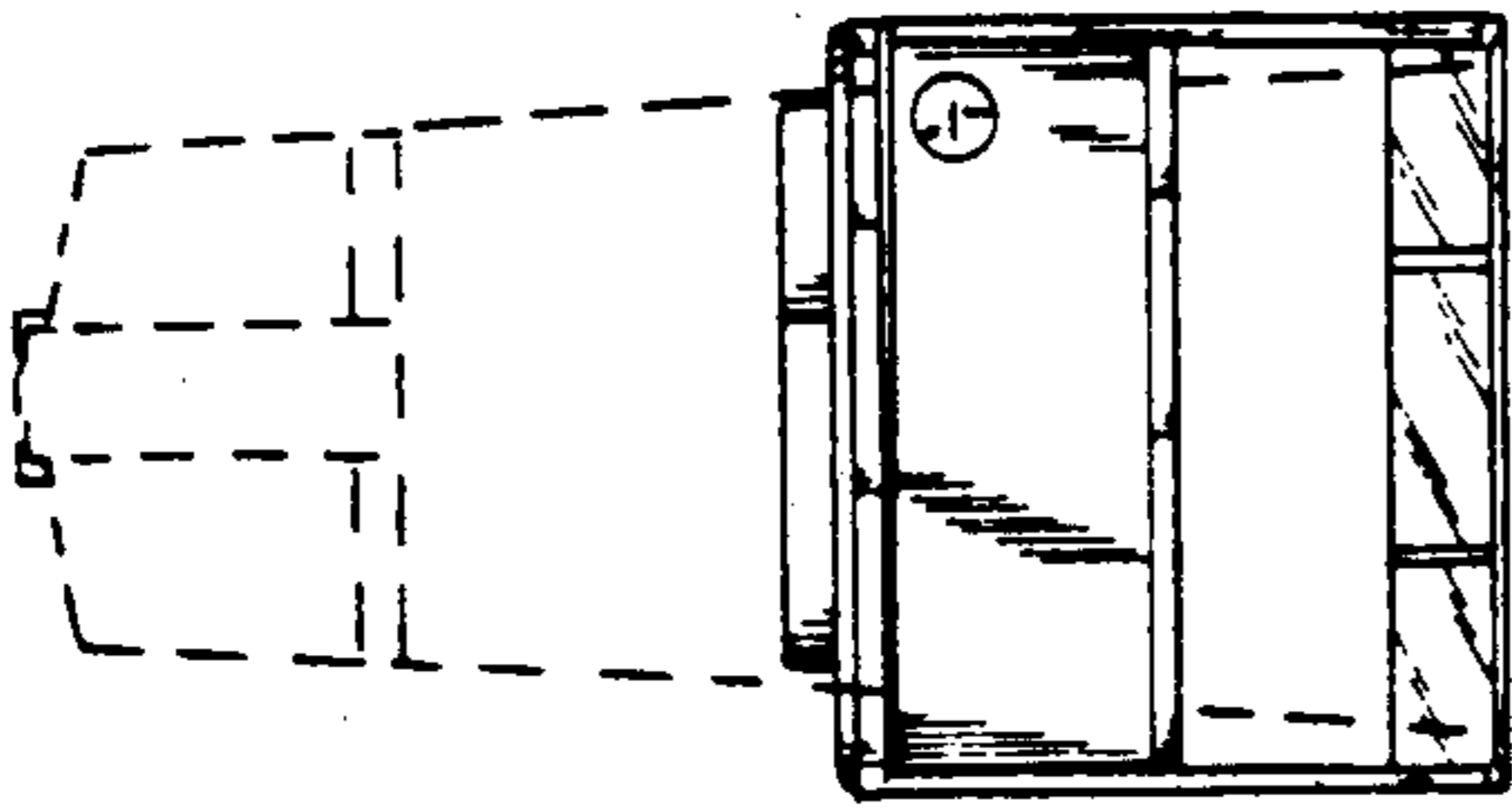


FIG.1

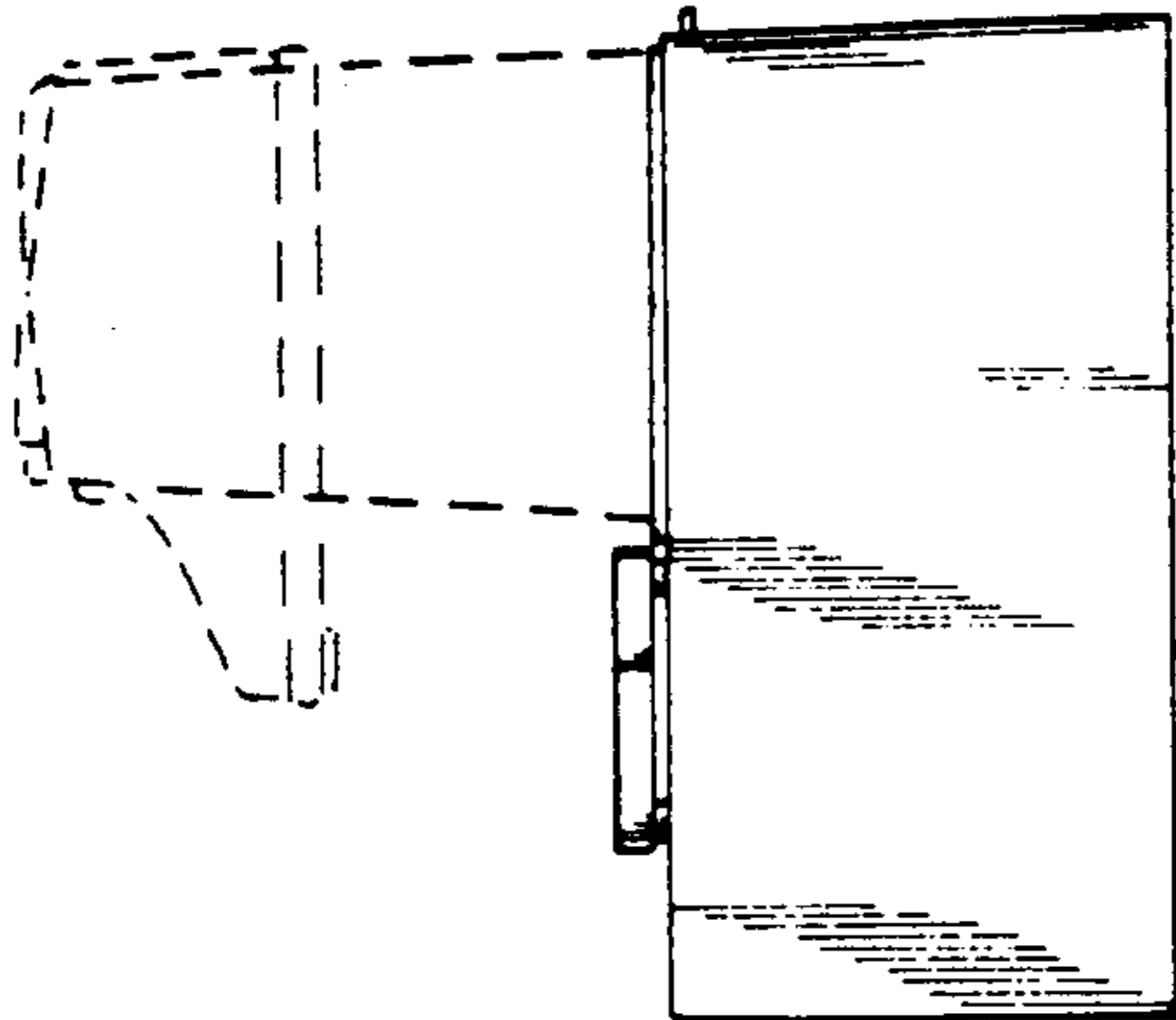


FIG.2

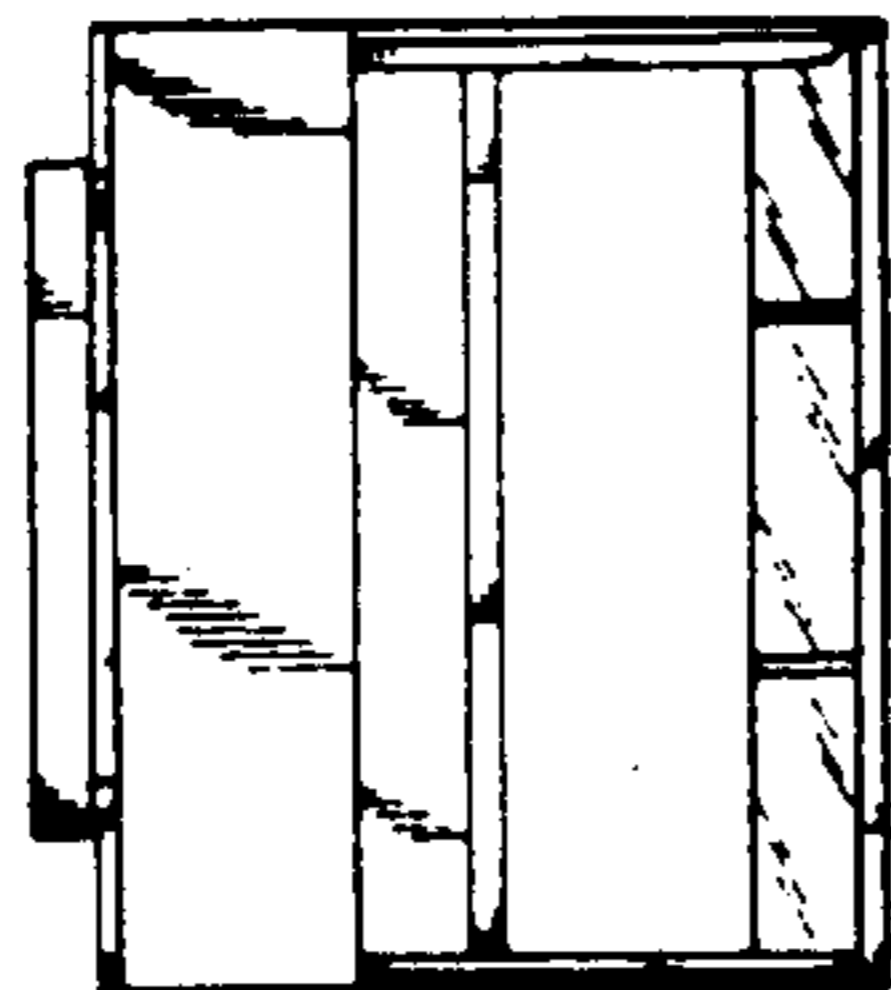


FIG.3

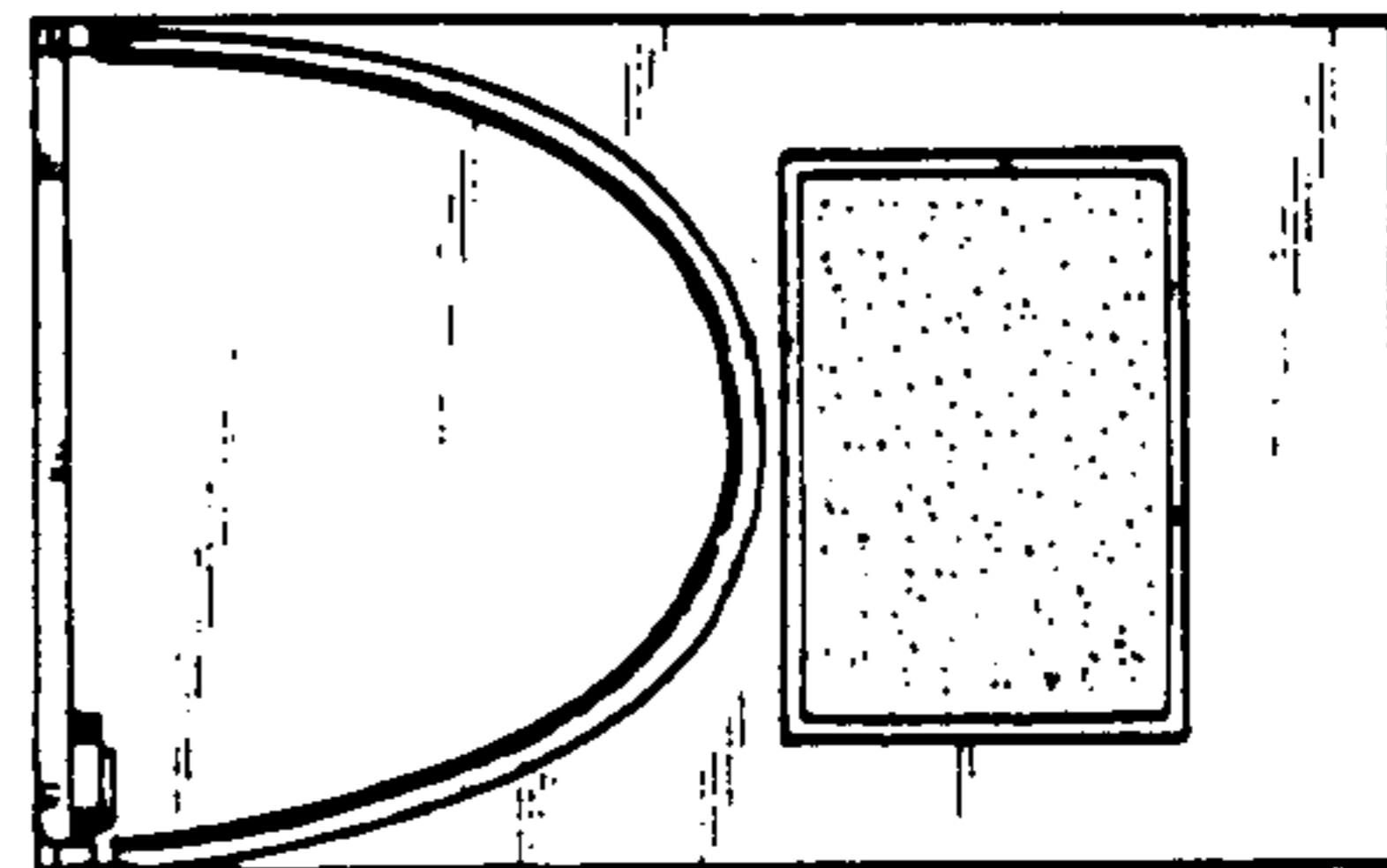


FIG.4

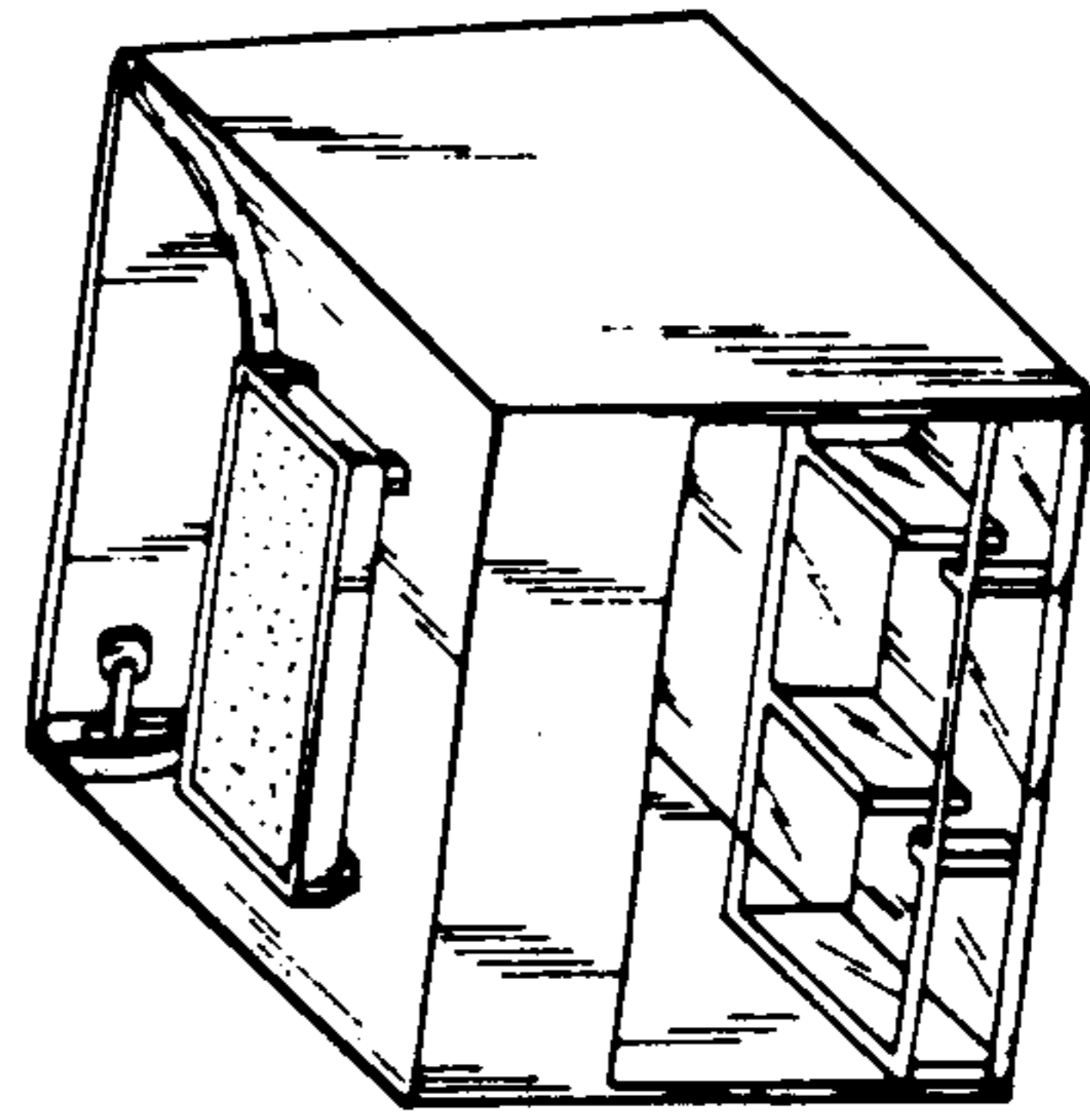


FIG.5