

[54] **CHAIR FRAME**

[75] **Inventor: Stephen C. Hess, Birmingham, Ala.**

[73] **Assignee: Winston Furniture Company of Alabama, Inc., Birmingham, Ala.**

[**] **Term: 14 Years**

[21] **Appl. No.: 201,105**

[22] **Filed: Jun. 1, 1988**

[52] **U.S. Cl. D6/373**

[58] **Field of Search D6/334, 361, 370, 375, D6/376, 379, 499, 500, 501, 502, 601**

[56] **References Cited**

U.S. PATENT DOCUMENTS

- D. 154,356 7/1949 Allmand D6/373 X
- D. 178,122 6/1956 Grossberg et al. D6/369
- D. 271,455 11/1983 Saiger D6/500
- D. 282,699 2/1986 Arthur, Jr. D6/373
- D. 286,472 11/1986 Arthur, Jr. D6/379

- D. 287,437 12/1986 Frinier et al. D6/501 X
- D. 291,391 8/1987 Arthur, Jr. D6/373 X
- D. 293,519 1/1988 Conn D6/373

OTHER PUBLICATIONS

Lloyd, 2/1956, chairs at top left and bottom right.
Brown Jordan, 4/1973, p. 25, chairs at bottom, on file in "Outdoor Furniture Box".

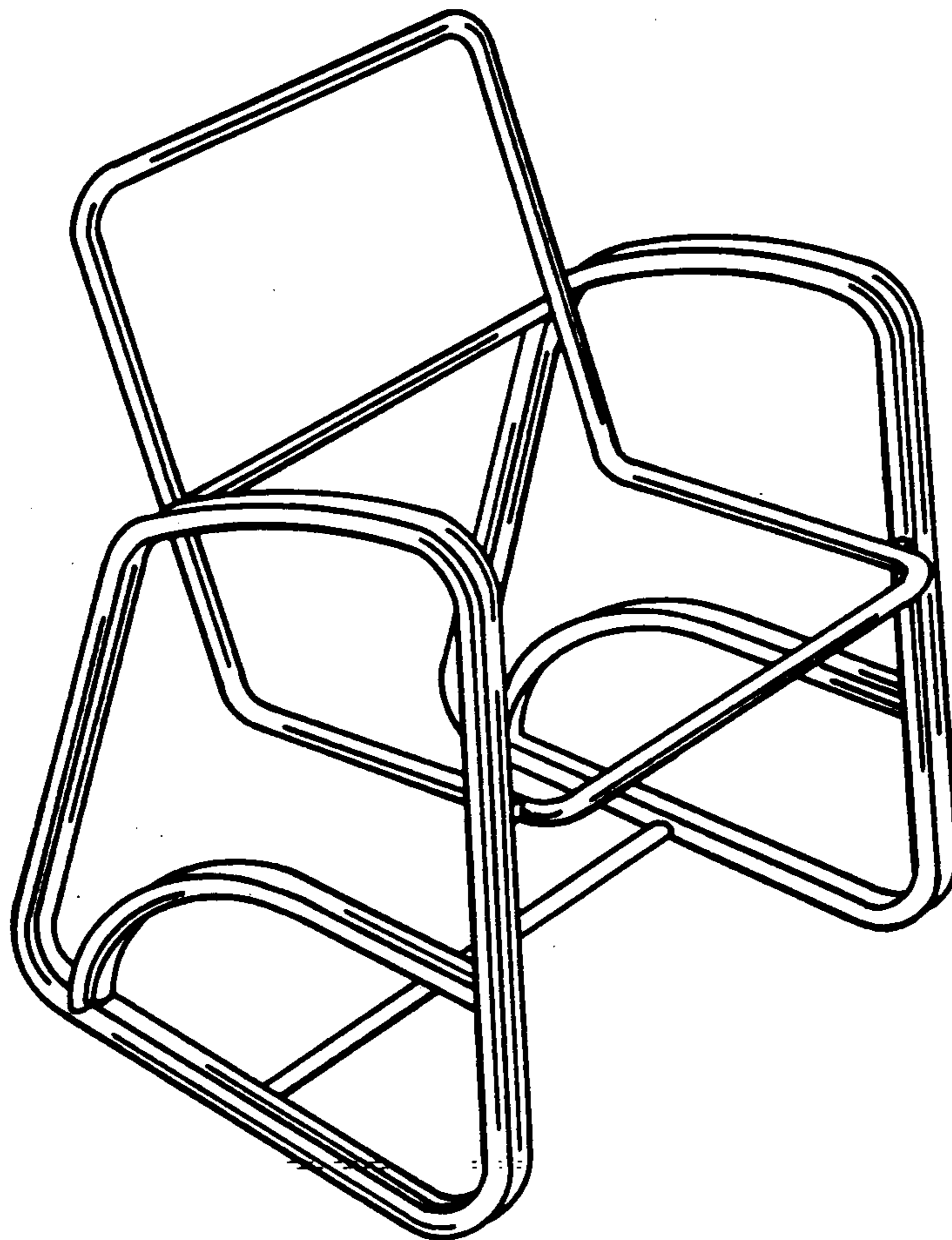
Primary Examiner—Bruce W. Dunkins
Assistant Examiner—Gary D. Watson
Attorney, Agent, or Firm—Bell, Seltzer, Park & Gibson

[57] **CLAIM**

The ornamental design for a chair frame, as shown and described.

DESCRIPTION

FIG. 1 is a front perspective view of a chair frame showing my new design;
FIG. 2 is a side elevational view;
FIG. 3 is a front elevational view; and
FIG. 4 is a rear elevational view thereof.



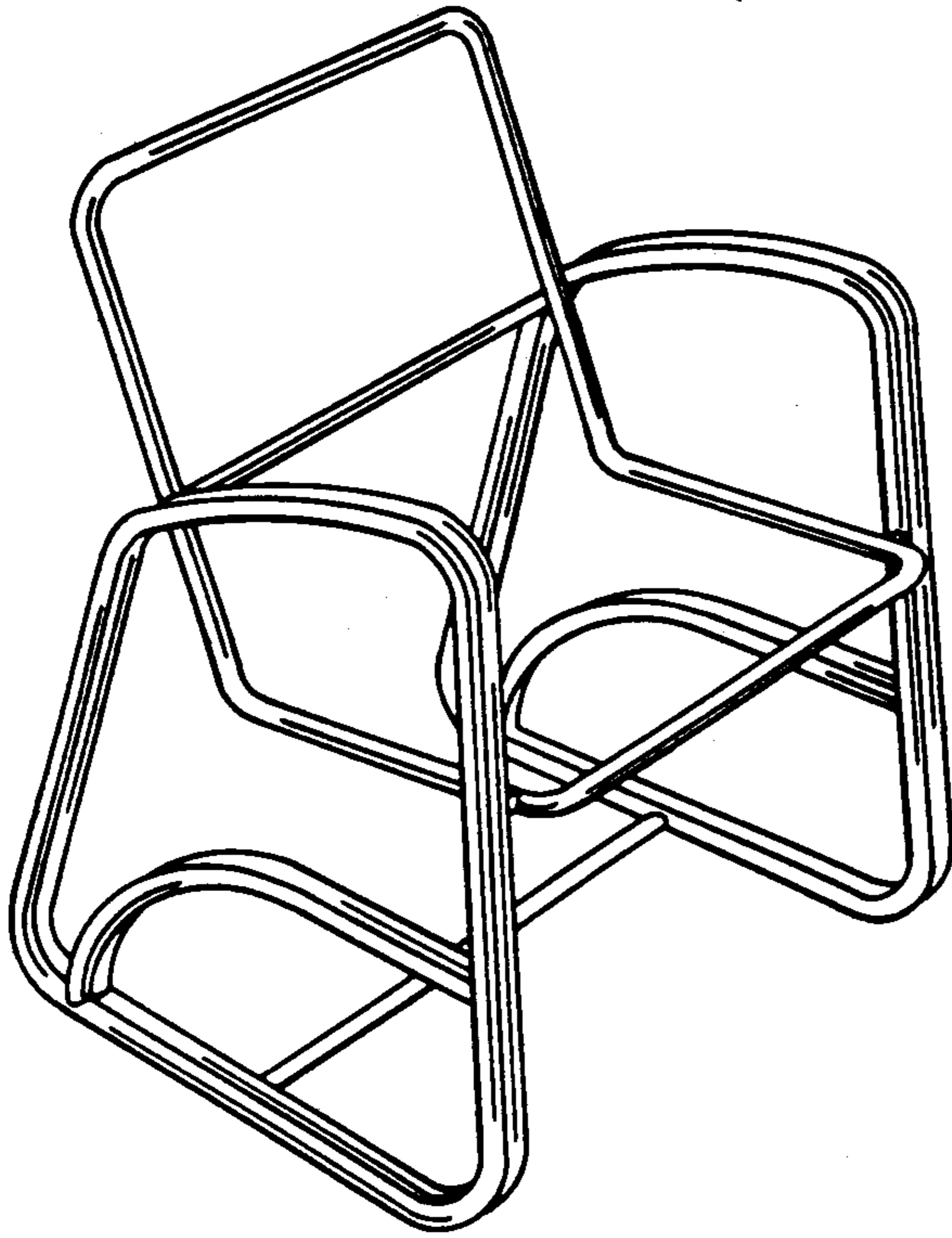


FIG. 1.

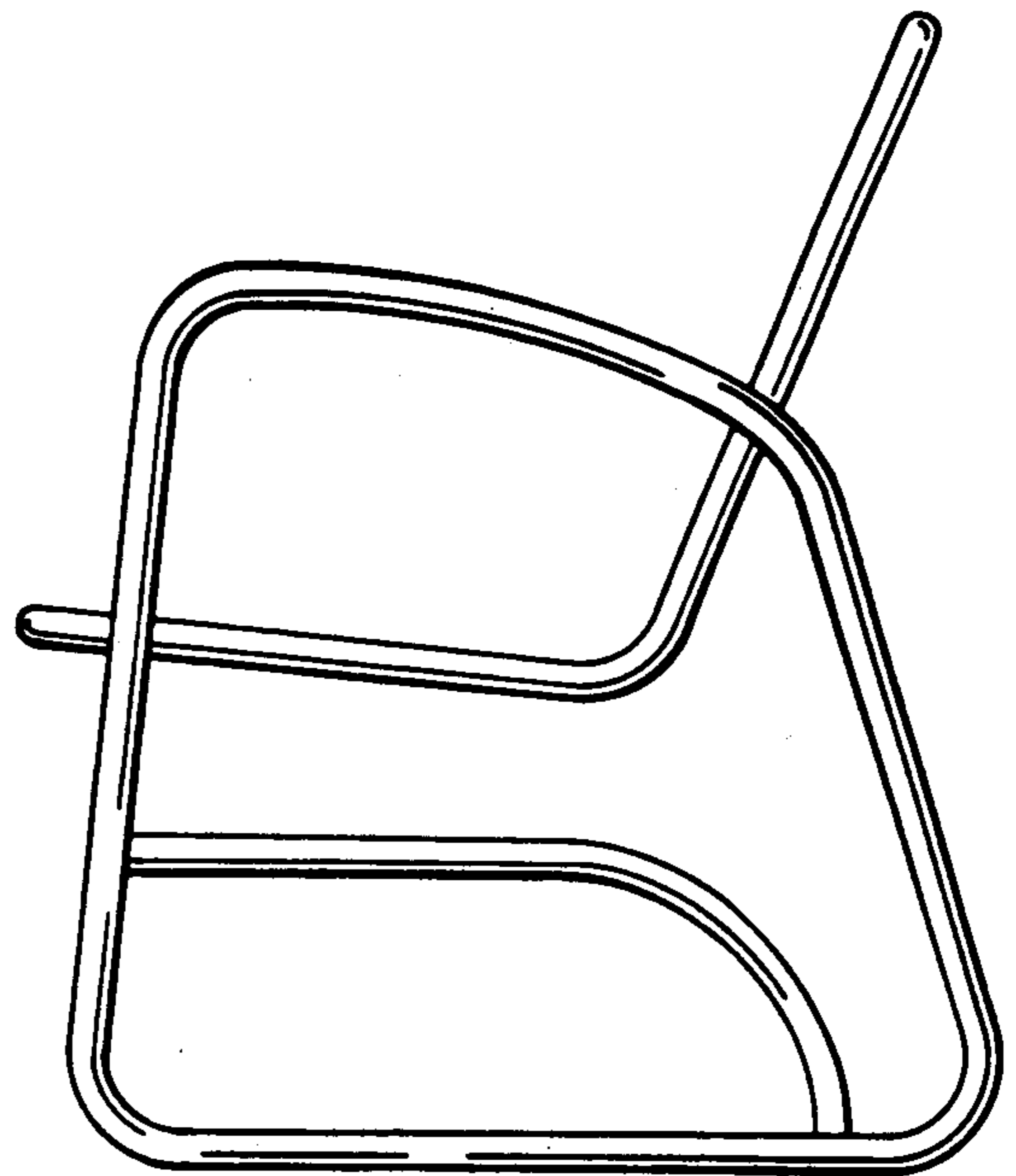


FIG. 2.

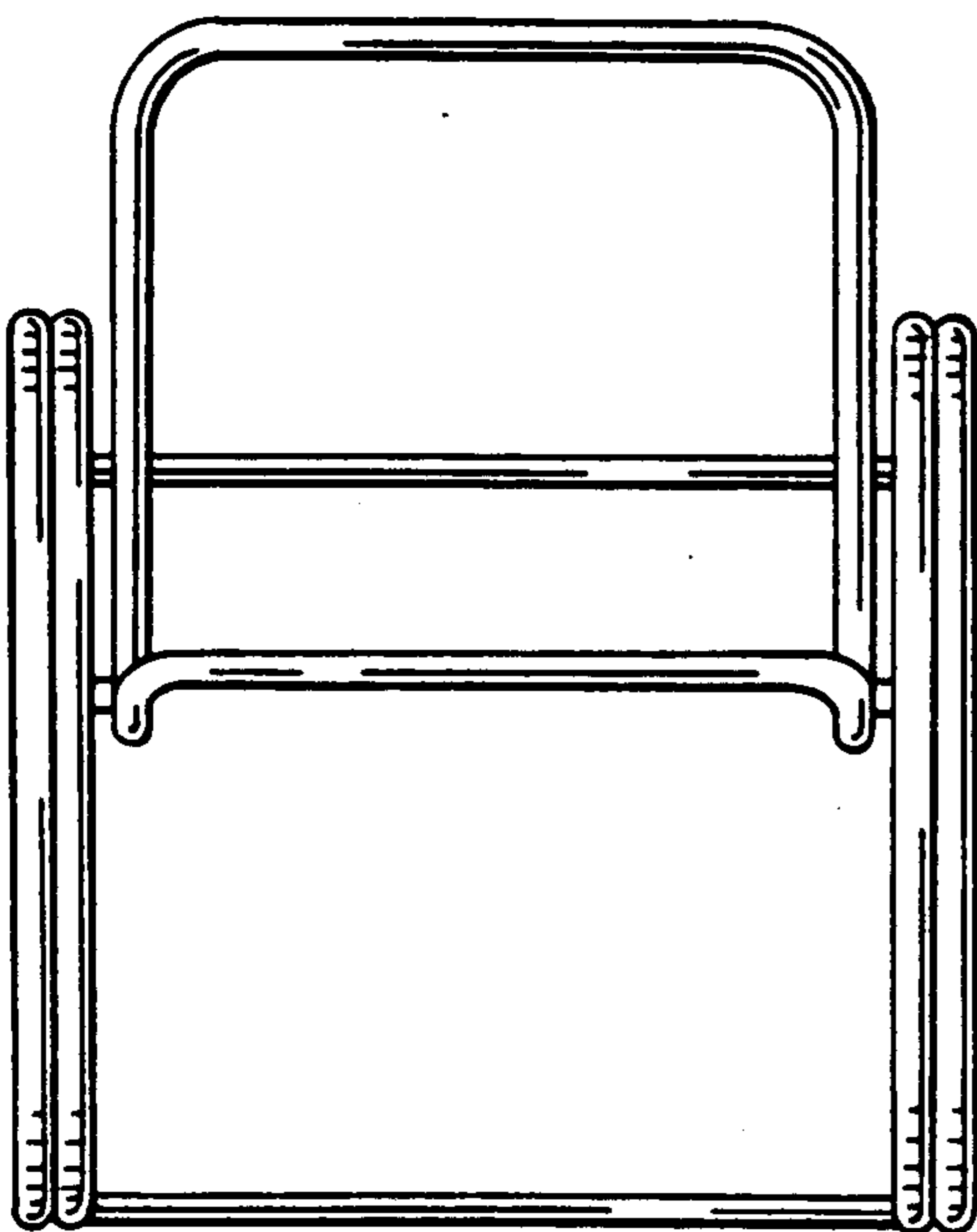


FIG. 3.

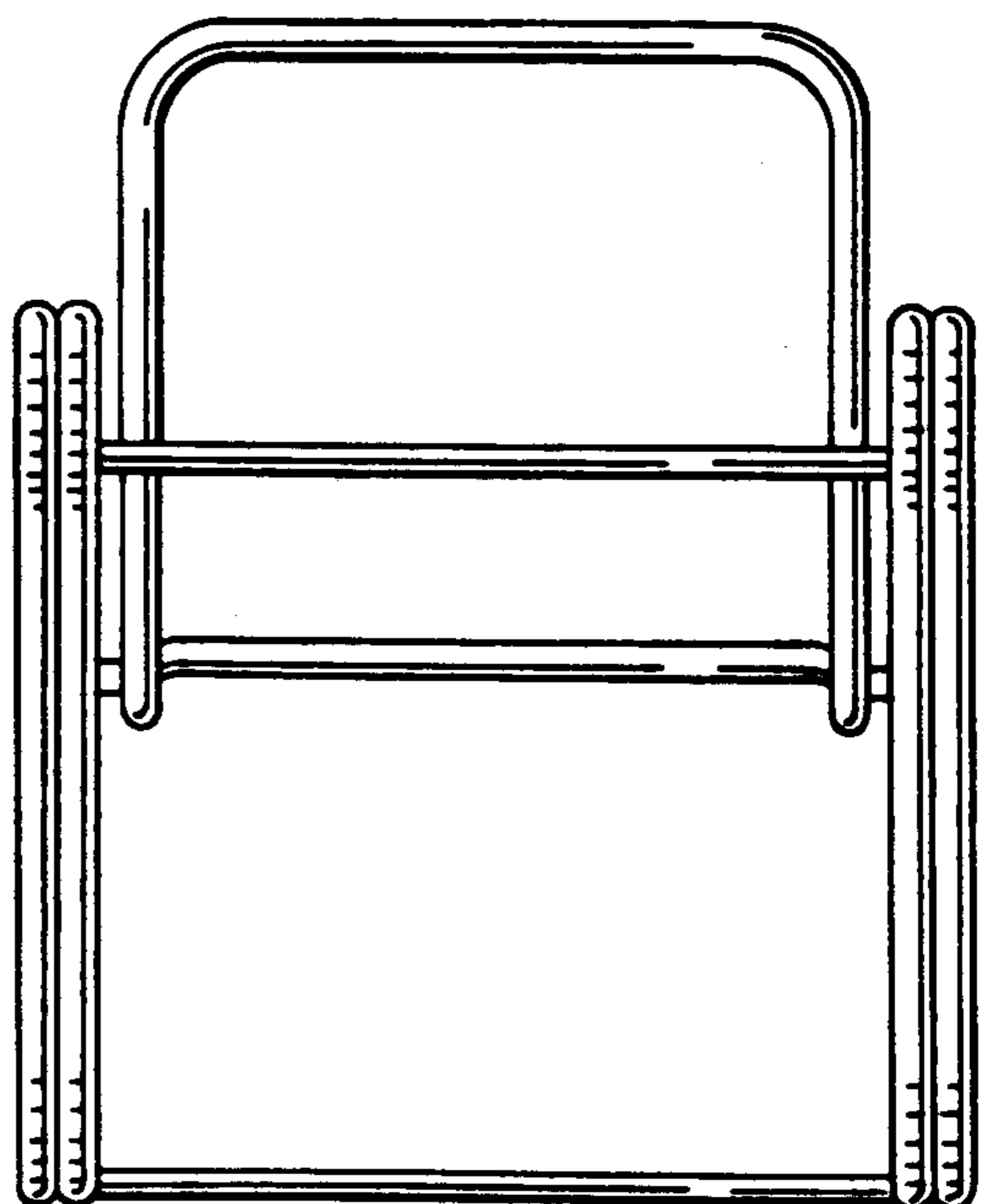


FIG. 4.