

[54] **BICYCLE SHOE CLEAT**

[76] **Inventor: Michael B. St. John, 4143 Gaviota Ave., Long Beach, Calif. 90807**

[\*\*] **Term: 14 Years**

[21] **Appl. No.: 237,003**

[22] **Filed: Aug. 26, 1988**

[52] **U.S. Cl. .... D2/314; D2/317**

[58] **Field of Search ..... D2/264, 265, 314, 317; 36/67 R-67 D, 134, 131, 132, 136**

[56] **References Cited**

**U.S. PATENT DOCUMENTS**

938,843	11/1909	Golden	36/134	X
4,590,693	5/1986	Kawashima et al.	36/67	D
4,836,047	6/1989	Alcamo	36/131	X

*Primary Examiner*—Louis S. Zarfes  
*Attorney, Agent, or Firm*—Timothy T. Tyson

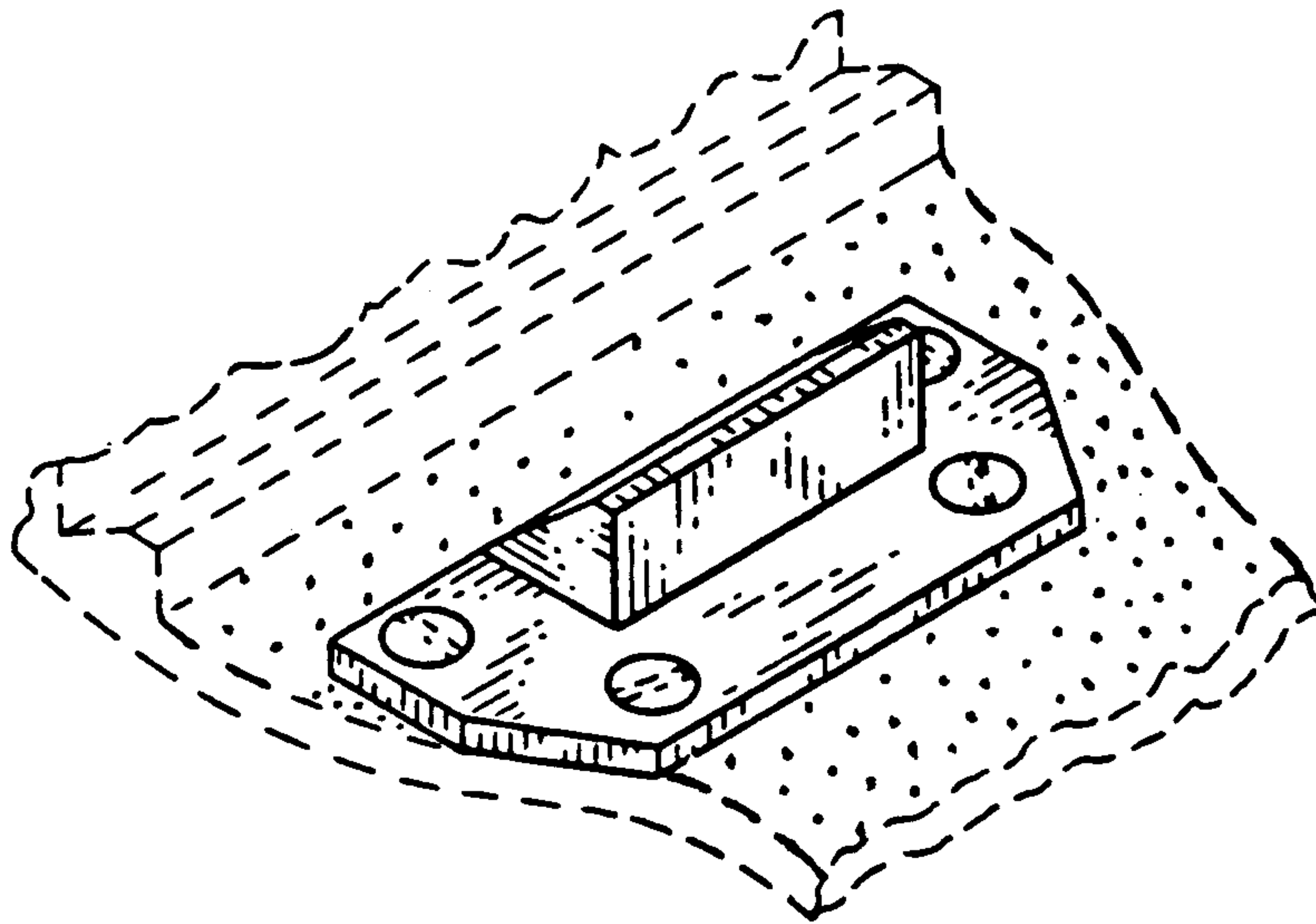
[57] **CLAIM**

The ornamental design for a bicycle shoe cleat, as shown.

**DESCRIPTION**

FIG. 1 is a rear perspective view of the bicycle shoe cleat as it appears in use, showing my new design; FIG. 2 is a top plan view; FIG. 3 is a bottom plan view; FIG. 4 is a right side elevational view, the left side elevational view being the mirror image thereof; and FIG. 5 is a rear elevational view.

The broken line disclosures of a portion of the sole of a bicycle shoe and screw heads included in FIG. 1 are for illustrative purposes only and form no part of the claimed design.



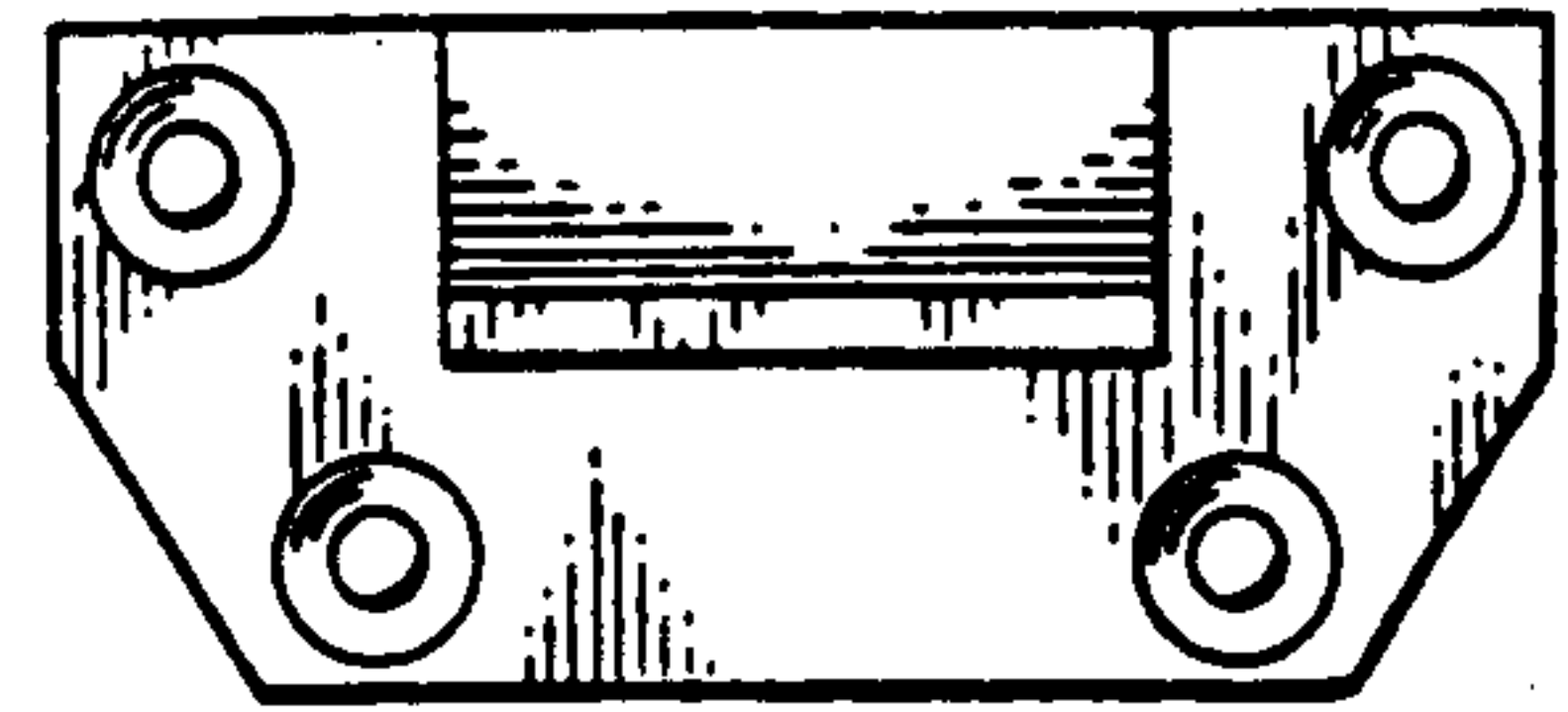
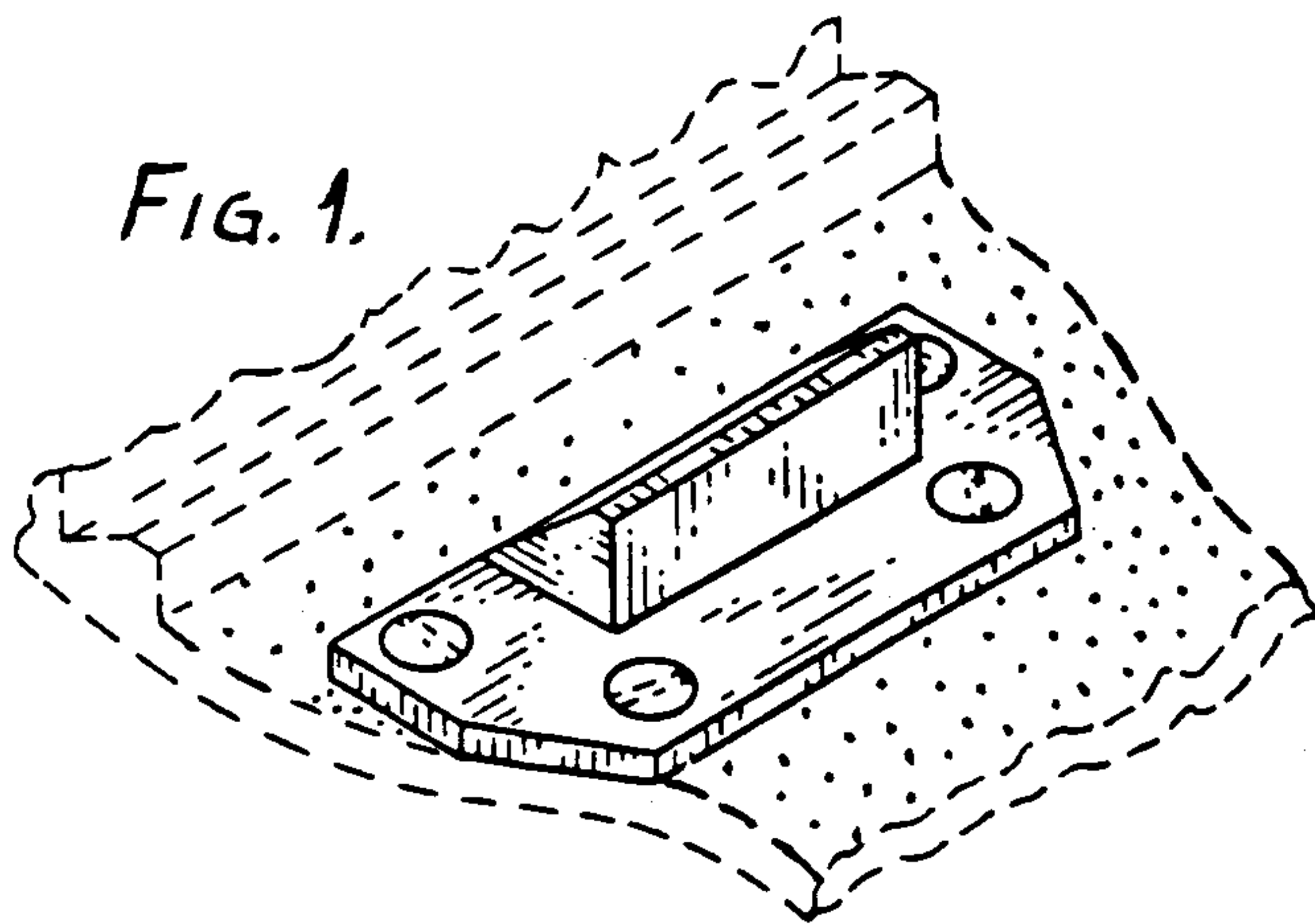


FIG. 2.

FIG. 3.

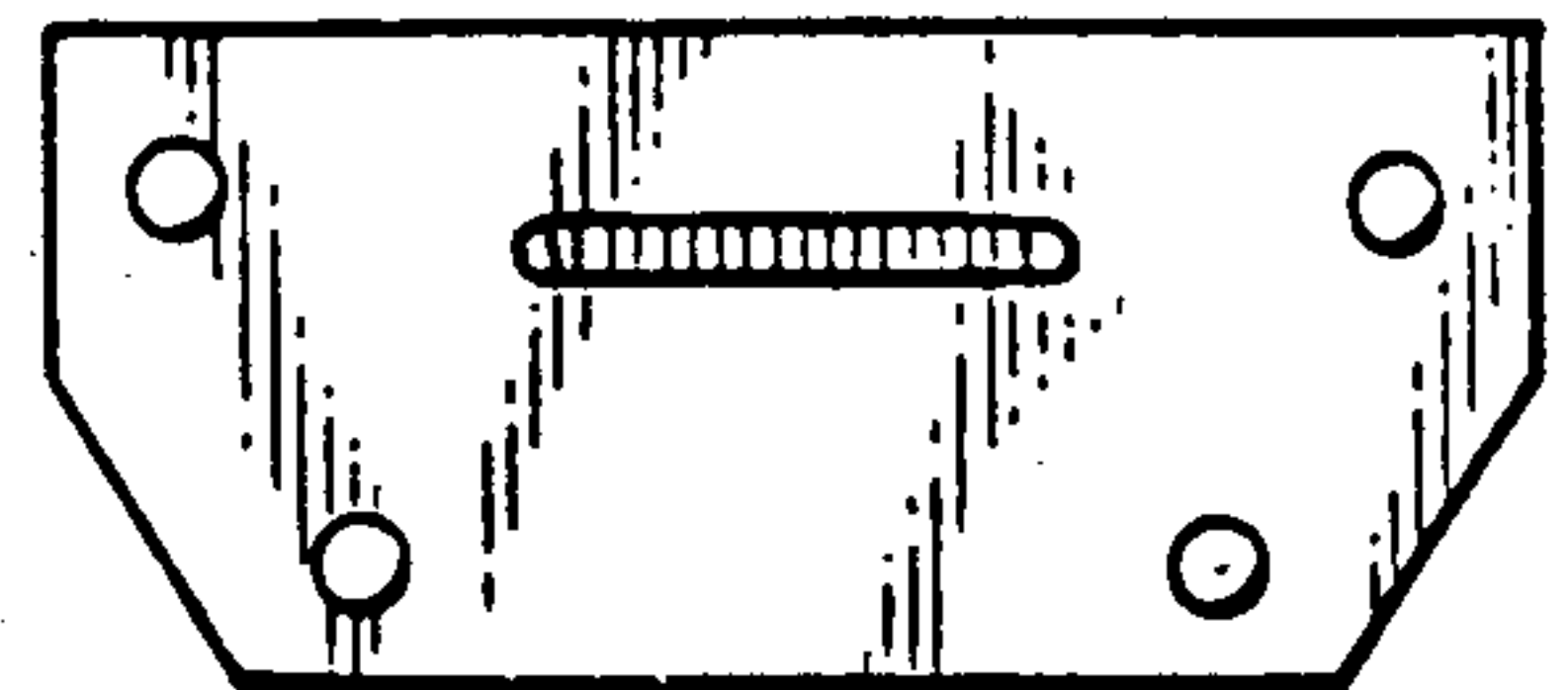


FIG. 4.



FIG. 5.

