

# United States Patent [19]

Kerbs

[11] Patent Number: **Des. 316,925**

[45] Date of Patent: **\*\* May 21, 1991**

[54] **BICYCLING SHOE CLEAT PROTECTOR**

[76] Inventor: **Jim A. Kerbs**, 16736 N. Alpine Rd.,  
Lodi, Calif. 95240

[\*\*] Term: **14 Years**

[21] Appl. No.: **232,182**

[22] Filed: **Aug. 15, 1988**

[52] U.S. Cl. .... **D2/271; D2/317**

[58] Field of Search ..... **D2/264, 265, 271, 277,  
D2/314, 317; 36/131, 132, 136, 72 R, 72 B, 73,  
135**

[56] **References Cited**

**U.S. PATENT DOCUMENTS**

D. 249,908 10/1978 Meinhart ..... D2/317  
1,958,107 5/1934 Merrill et al. .... 36/72 R  
3,812,603 5/1974 Goodman ..... D2/271 X

3,883,963 5/1975 Barbito, Sr. .... 36/135  
4,351,120 9/1982 Dalebout ..... 36/135 X

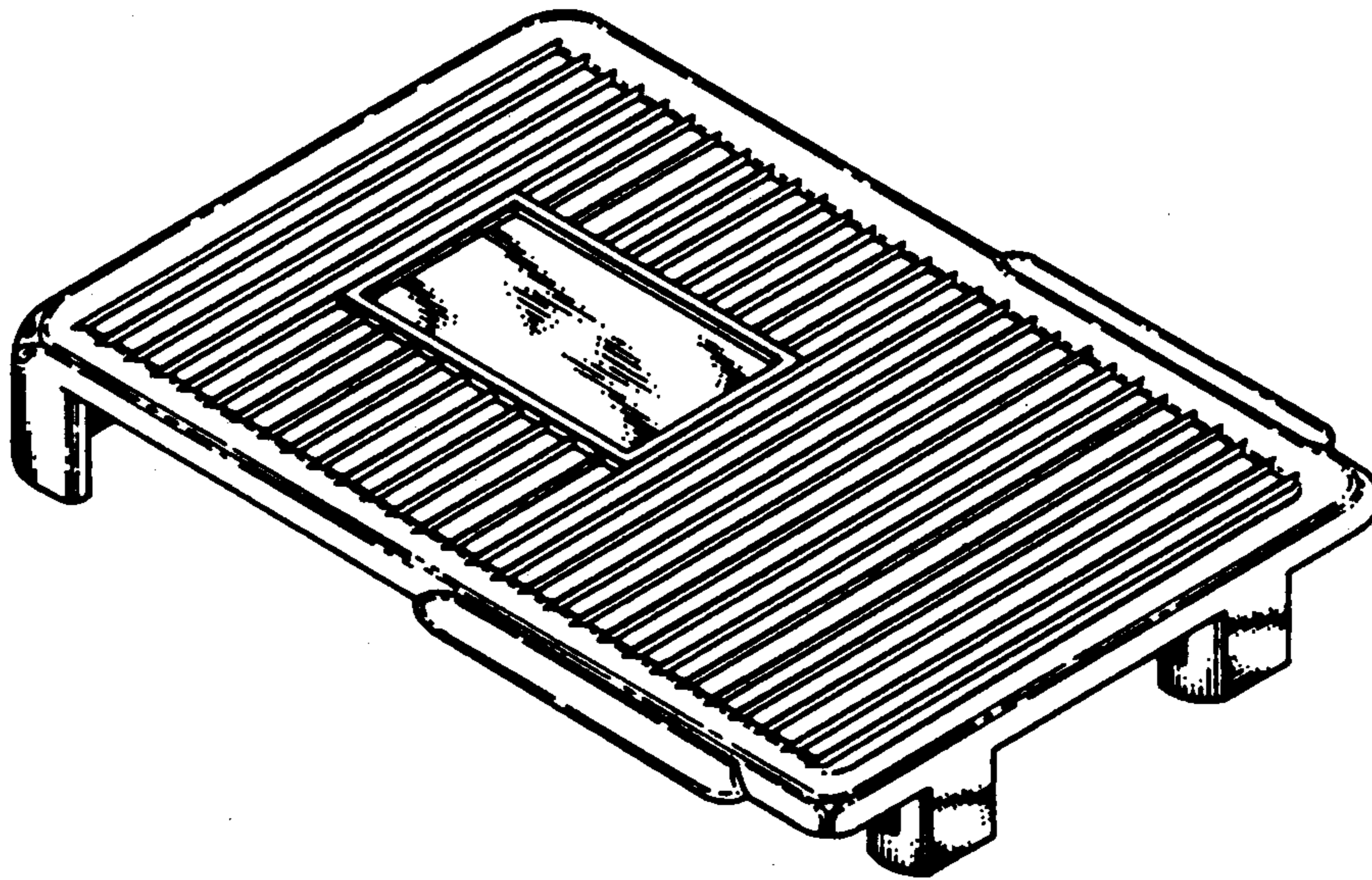
*Primary Examiner*—Louis S. Zarfes  
*Attorney, Agent, or Firm*—Lothrop & West

[57] **CLAIM**

The ornamental design for a bicycling shoe cleat protector, as shown and described.

**DESCRIPTION**

FIG. 1 is a right front perspective of a bicycling shoe cleat protector, showing my new design;  
FIG. 2 is a top plan view, thereof;  
FIG. 3 is a bottom plan view, thereof;  
FIG. 4 is a side elevational view, the opposite side elevational view being substantially a mirror image, thereof;  
FIG. 5 is an elevational view of one end, thereof; and,  
FIG. 6 is an elevational view of the other end, thereof.



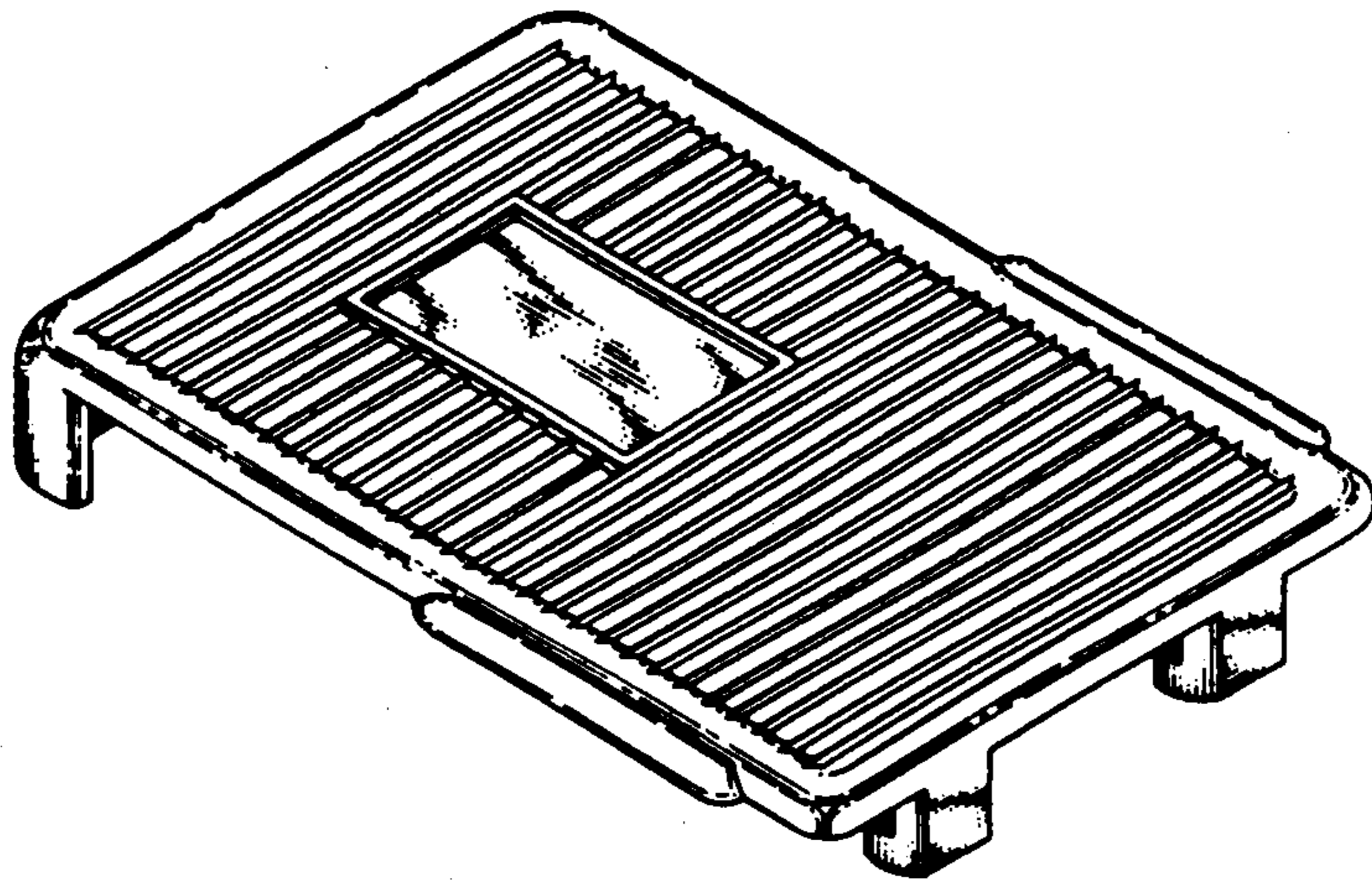


FIG. 1.

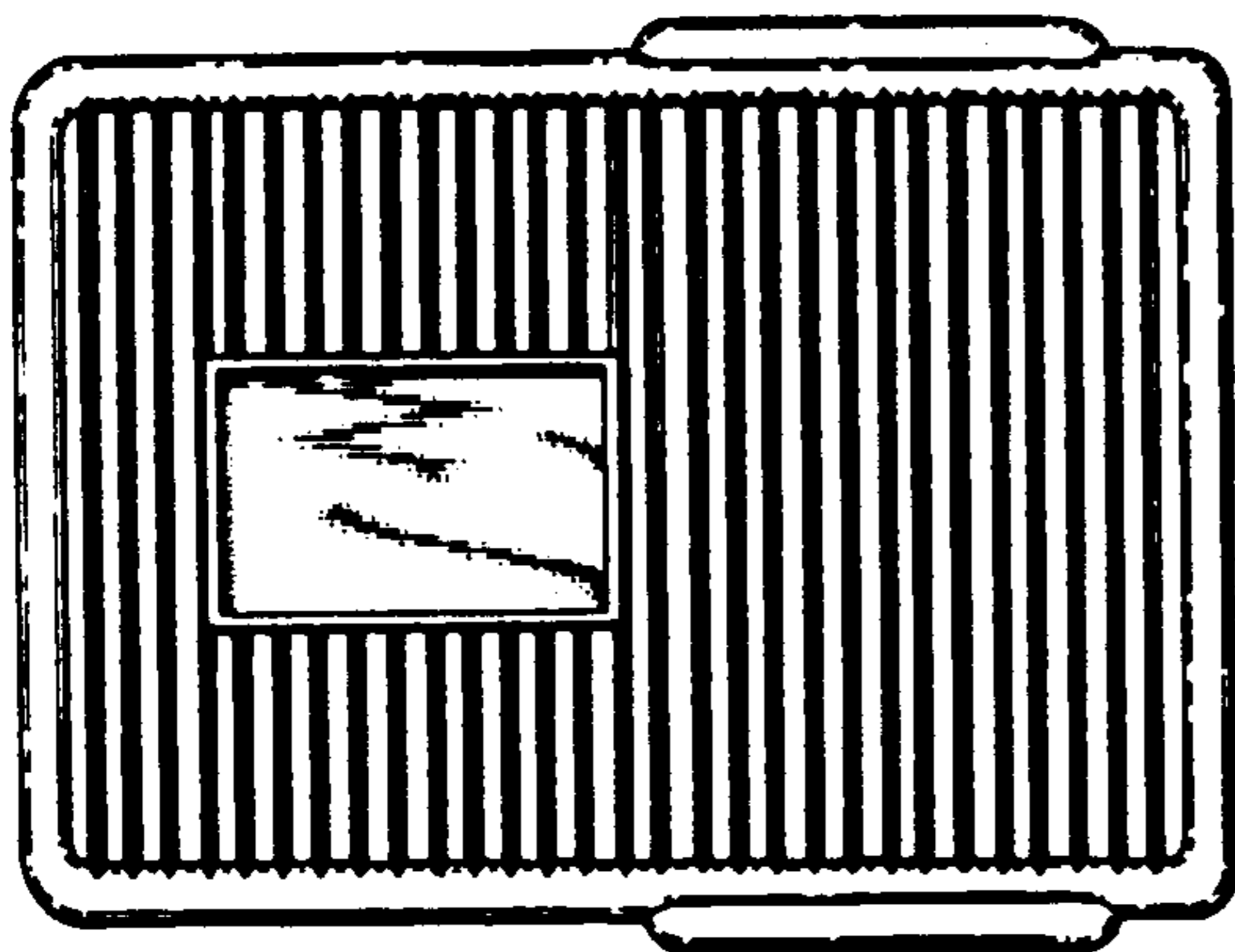


FIG. 2.

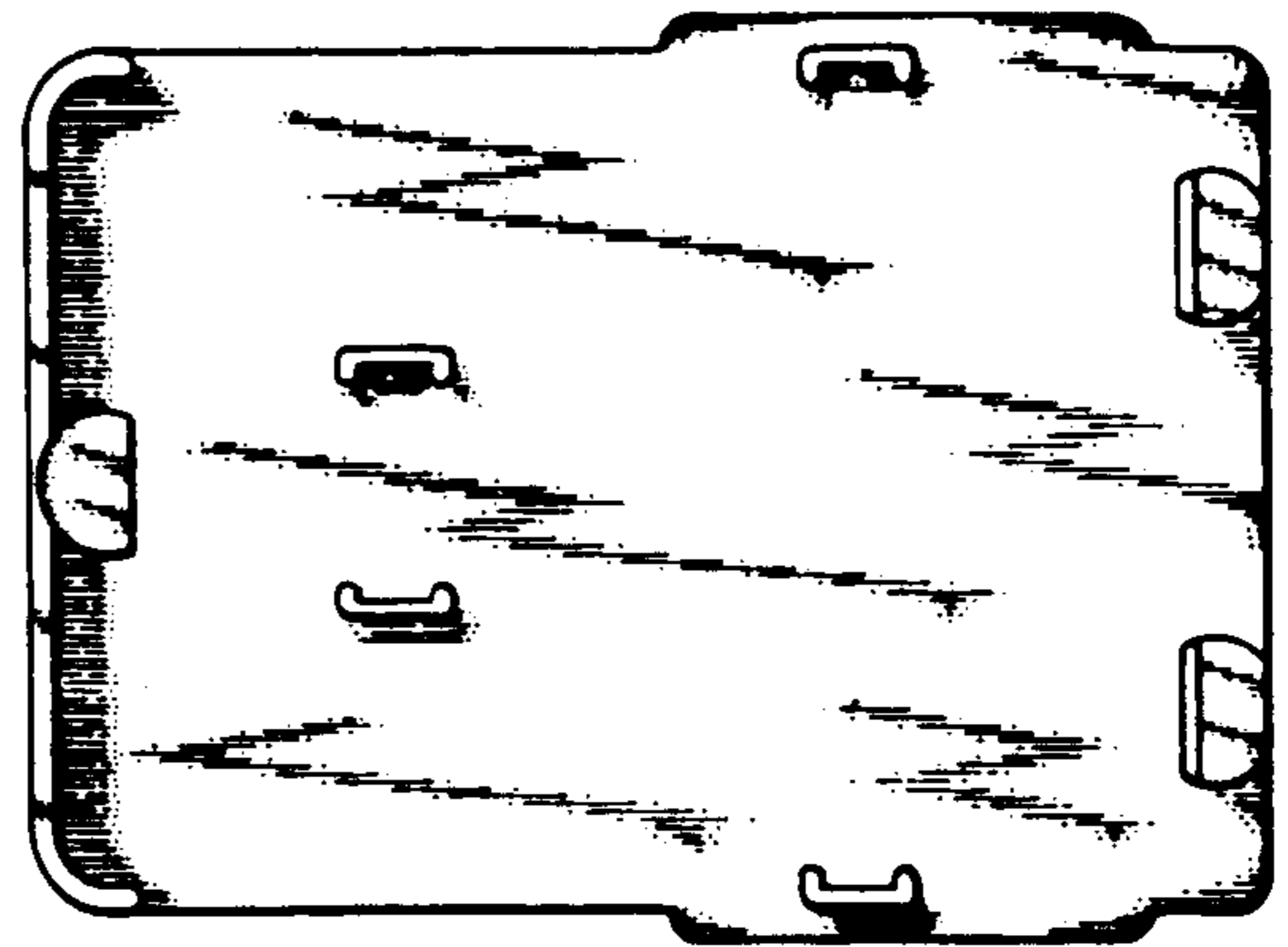


FIG. 3.



FIG. 4.



FIG. 5.

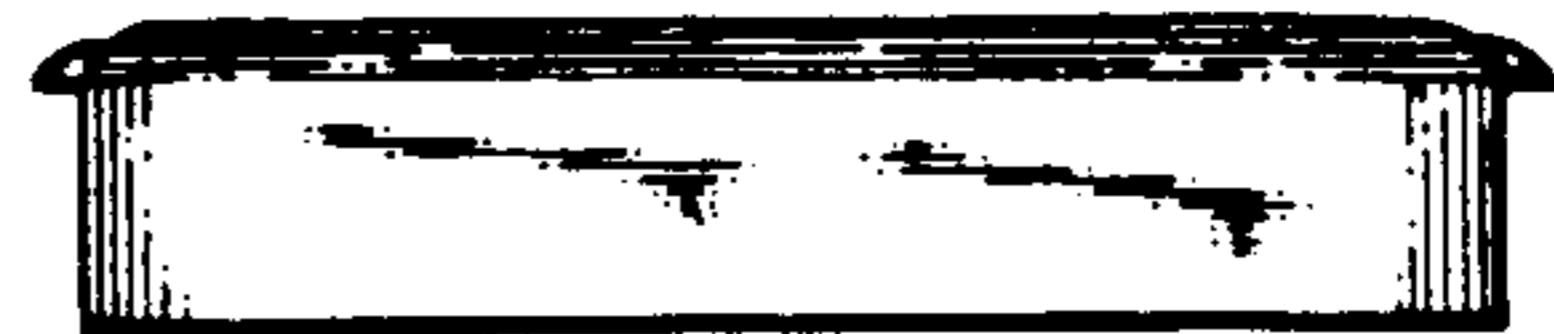


FIG. 6.