

[54] WASHINE MACHINE WITH DETERGENT DISPENSER

2,816,427 12/1957 Vela 134/93
3,064,665 11/1962 Martiniak 239/244

[76] Inventor: Jess Murphy, 314 Northride Circle-Box 2067, Guymon, Okla. 73942

Primary Examiner—Louis S. Zarfes
Assistant Examiner—Paula Allen
Attorney, Agent, or Firm—Jerry T. Kearns

[**] Term: 14 Years

[57] CLAIM

[21] Appl. No.: 268,995

The ornamental design for a washing machine with detergent dispenser, as shown and described.

[22] Filed: Nov. 8, 1988

[52] U.S. Cl. D32/6

DESCRIPTION

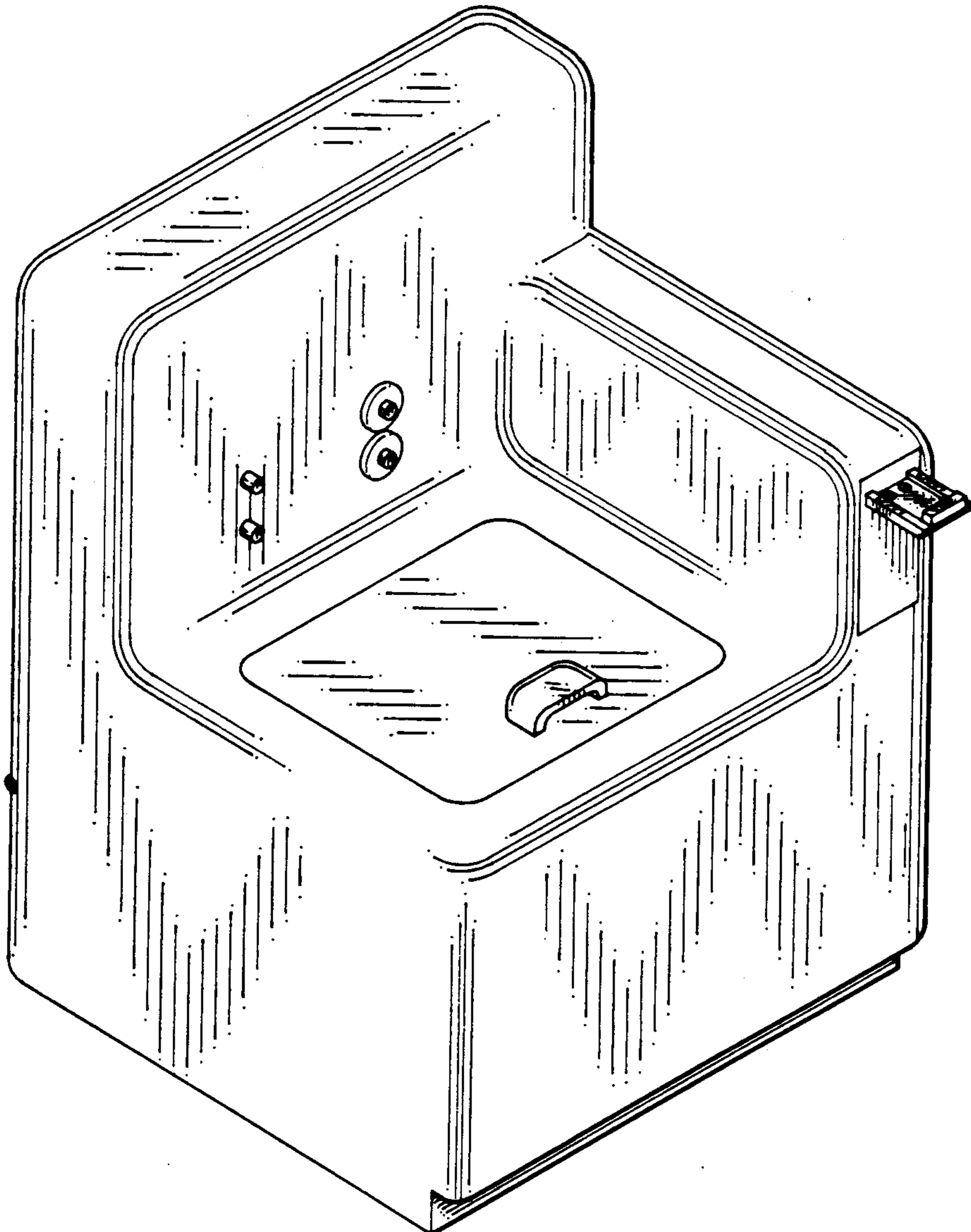
[58] Field of Search 239/244; D32/3, 55, D32/6; 134/144, 176, 180, 181, 200, 145, 165, 68, 93, 94, 198; 222/130

FIG. 1 is a front elevational view of a washing machine with detergent dispenser showing my new design; FIG. 2 is a rear elevational view thereof; FIG. 3 is a left side elevational view thereof; FIG. 4 is a right side elevational view thereof; FIG. 5 is a top plan view thereof; FIG. 6 is a bottom plan view thereof; FIG. 7 is a front perspective view thereof; and, FIG. 8 is a rear perspective view thereof.

[56] References Cited

U.S. PATENT DOCUMENTS

Re. 24,198 8/1956 Sharp et al. 134/56 D
Re. 25,814 11/1959 Buzicky et al. 134/93
D. 308,739 6/1990 Nystuen D32/3



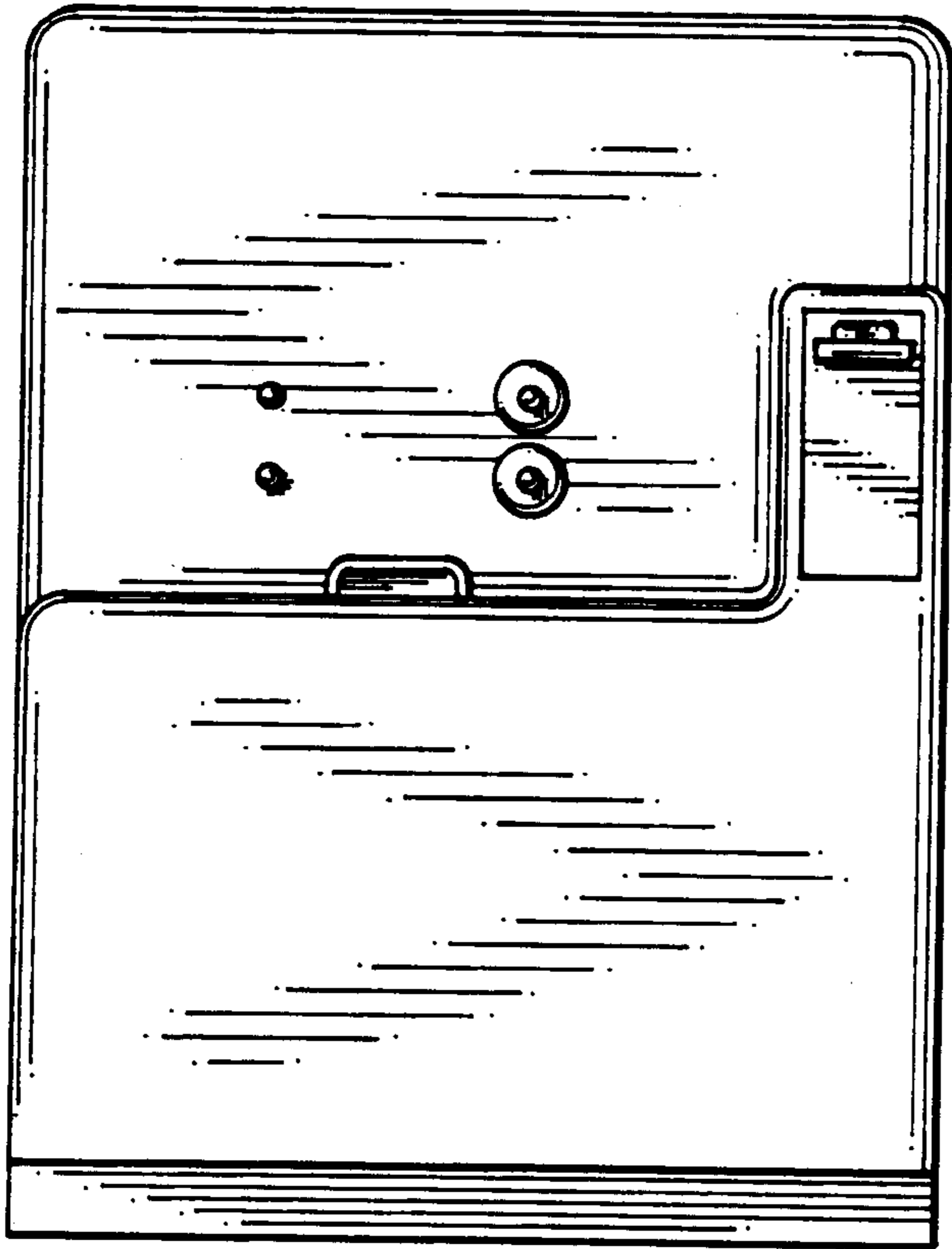


Fig. 1

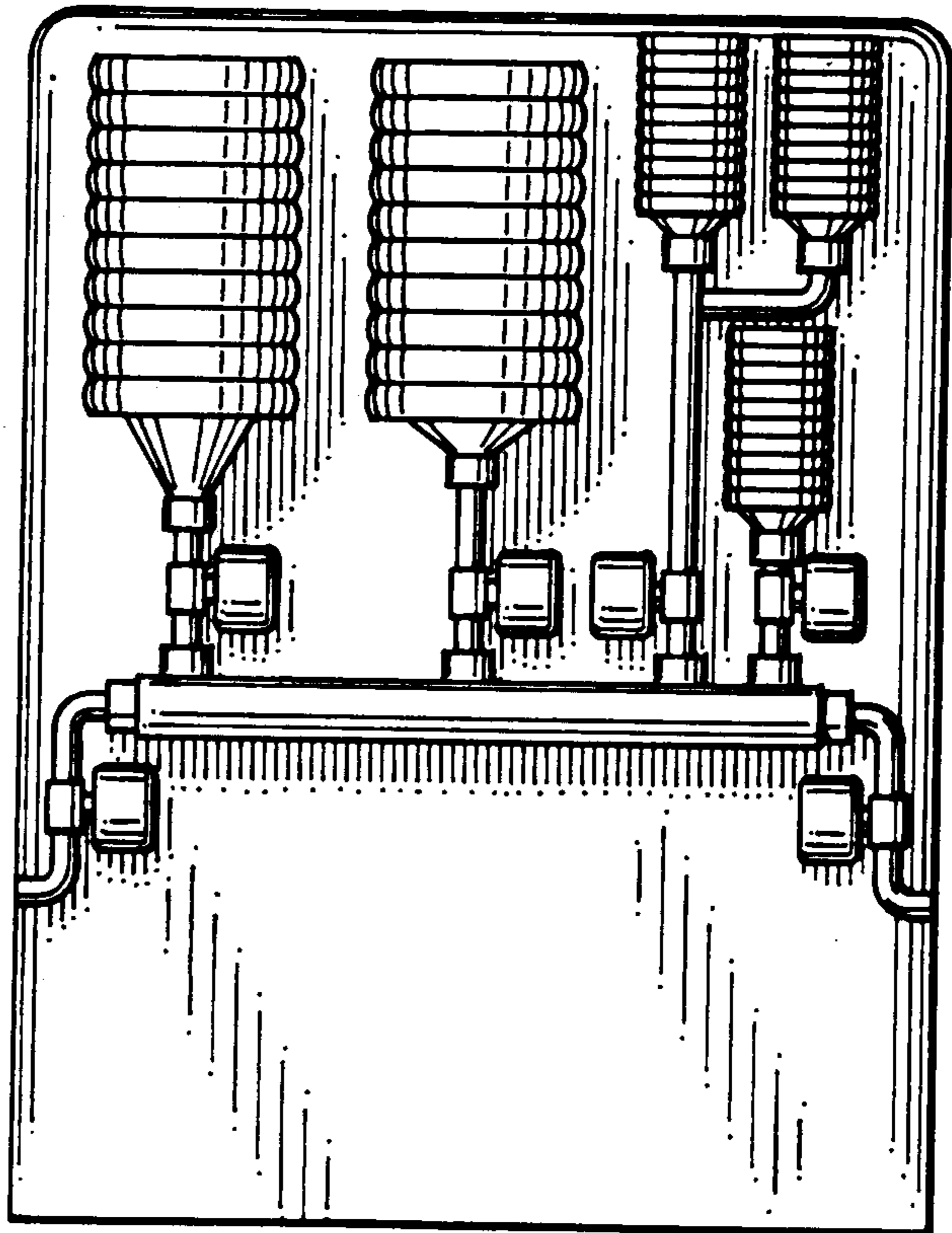


Fig. 2

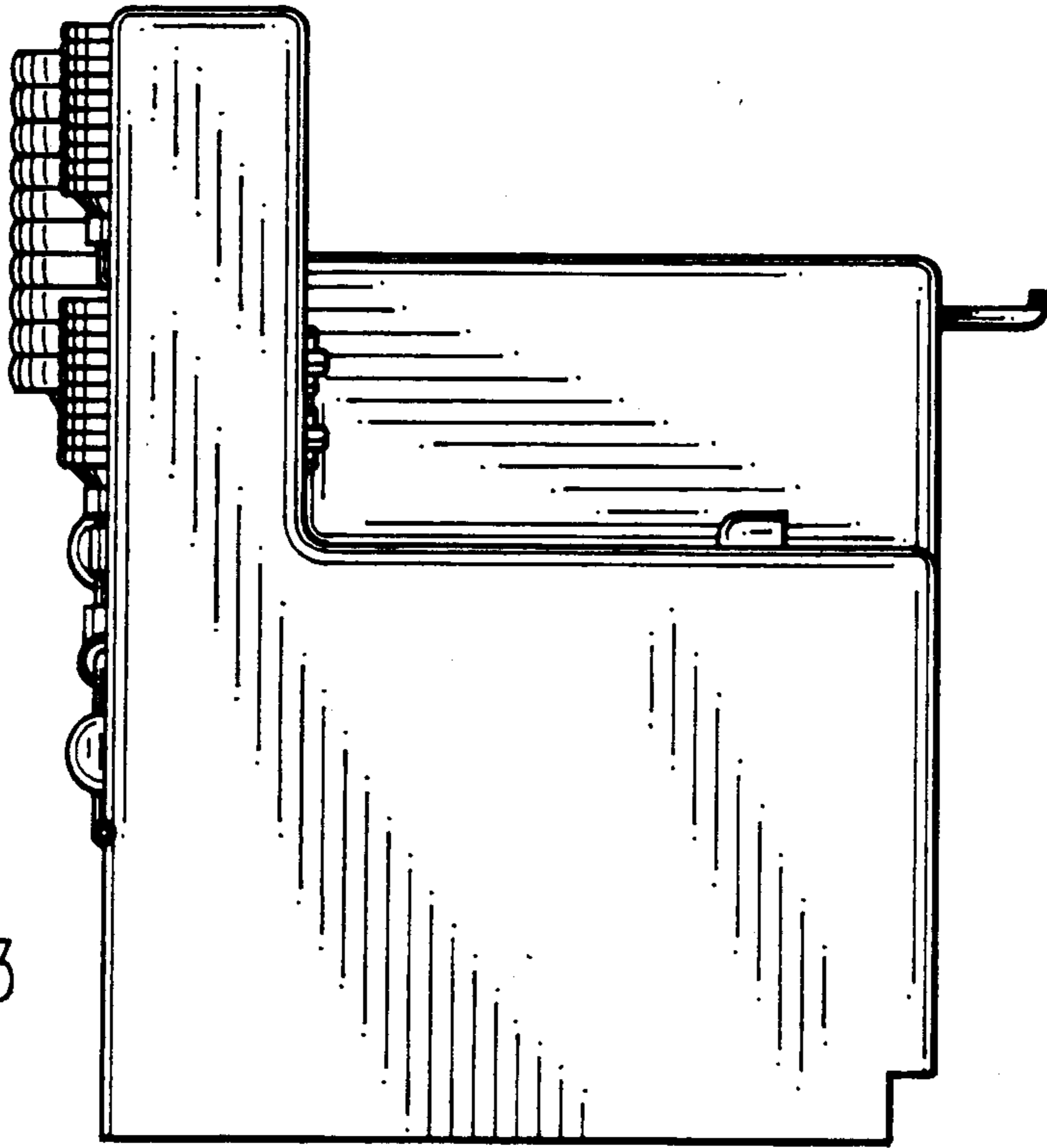


Fig. 3

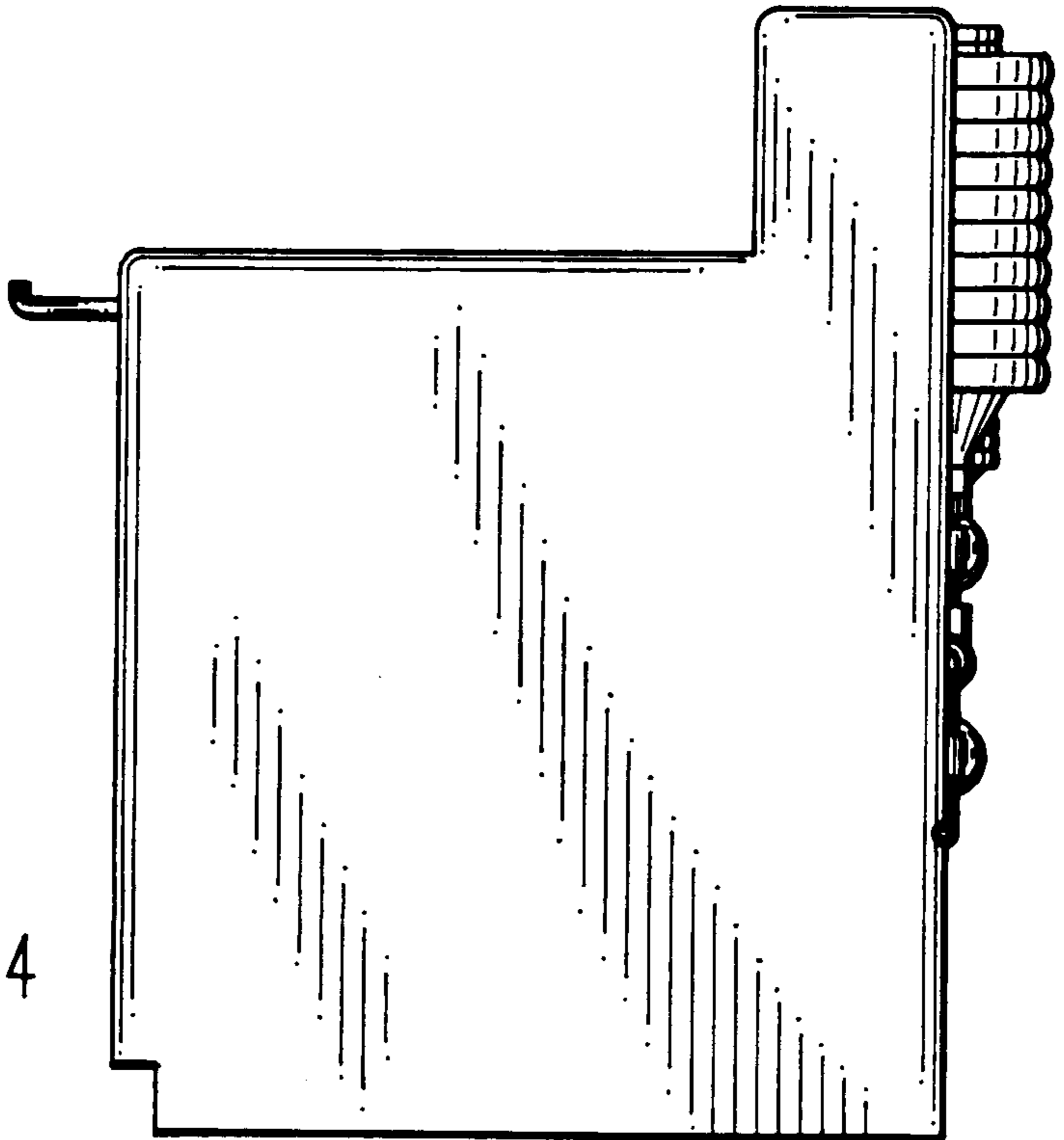


Fig. 4

Fig. 5

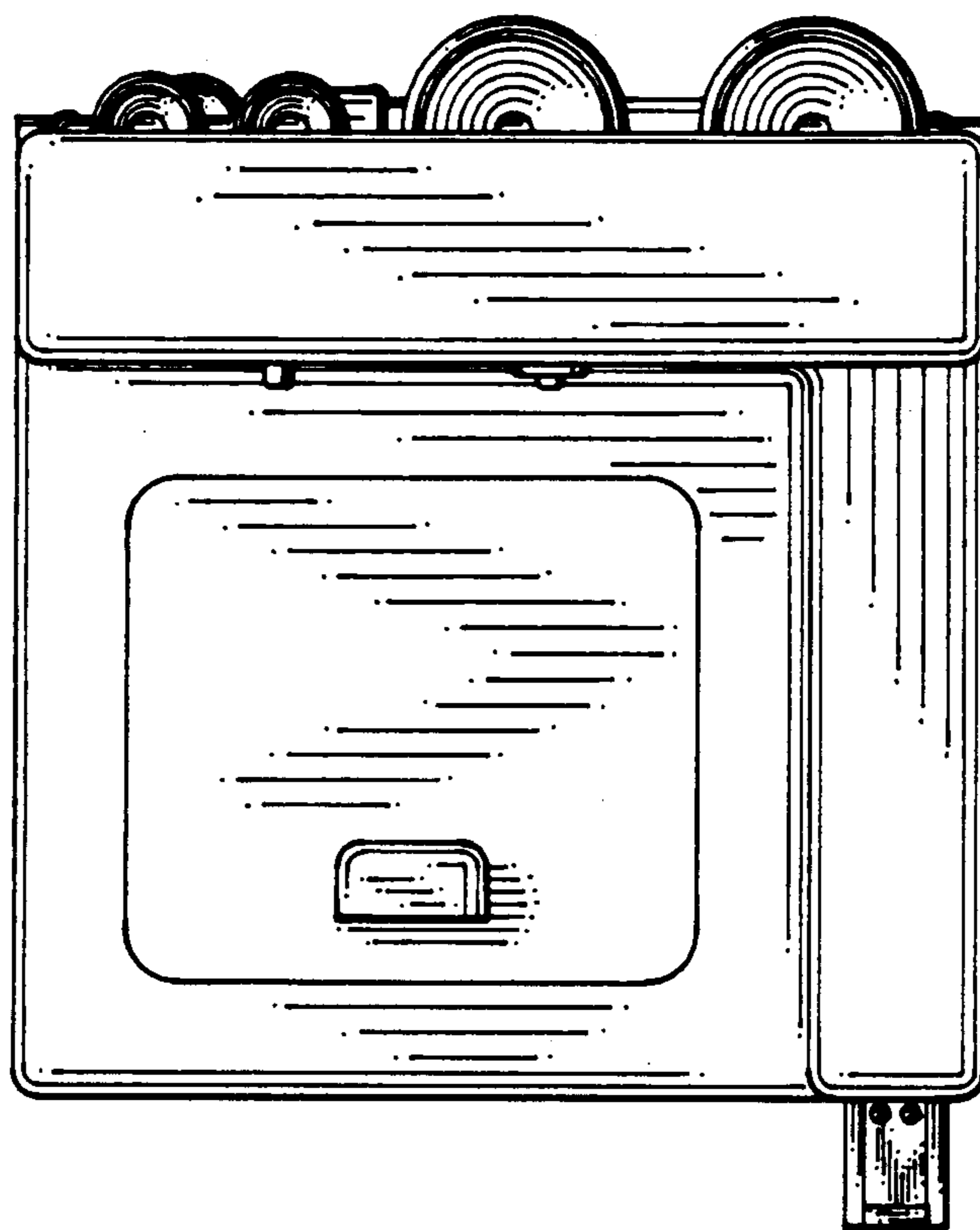
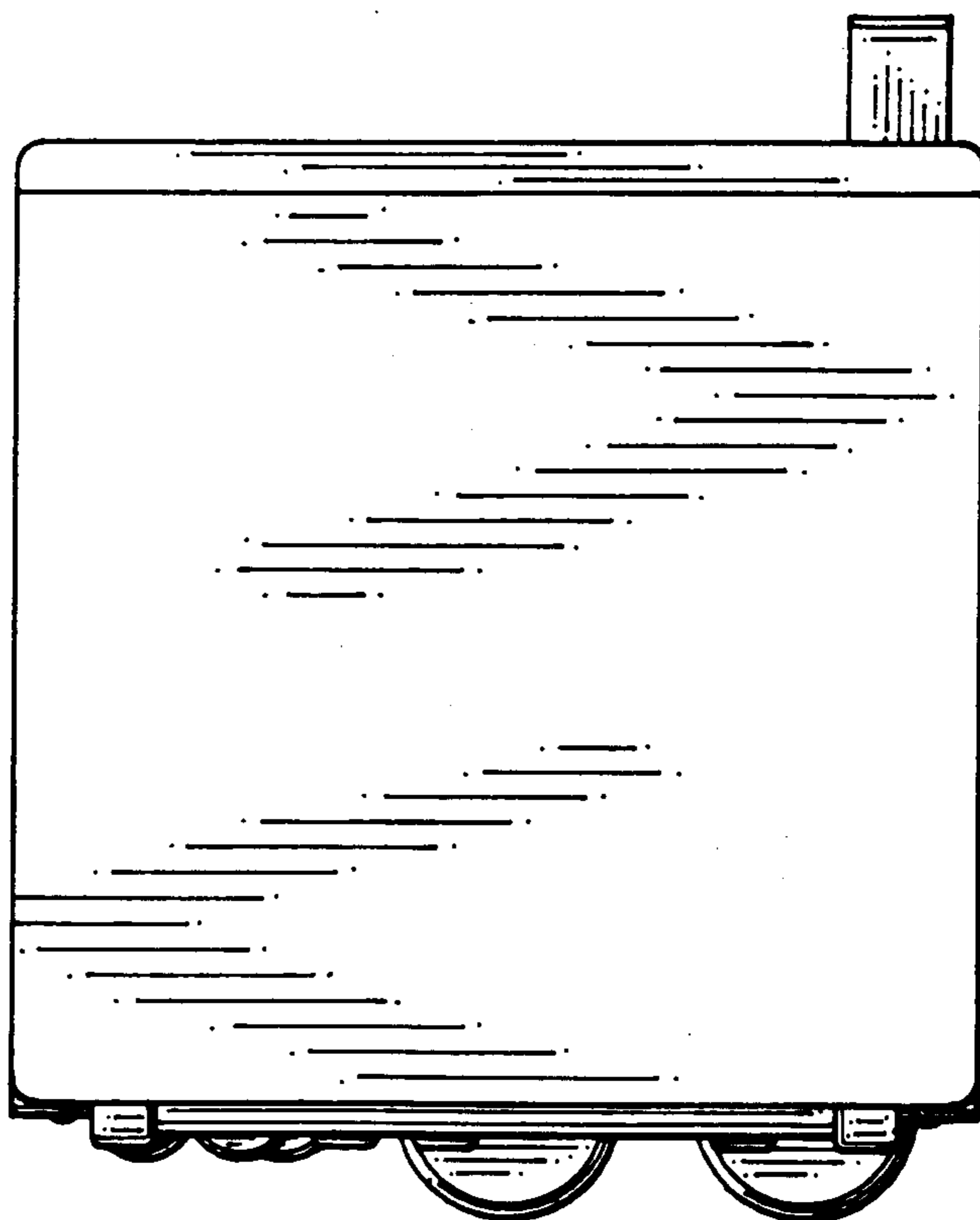


Fig. 6



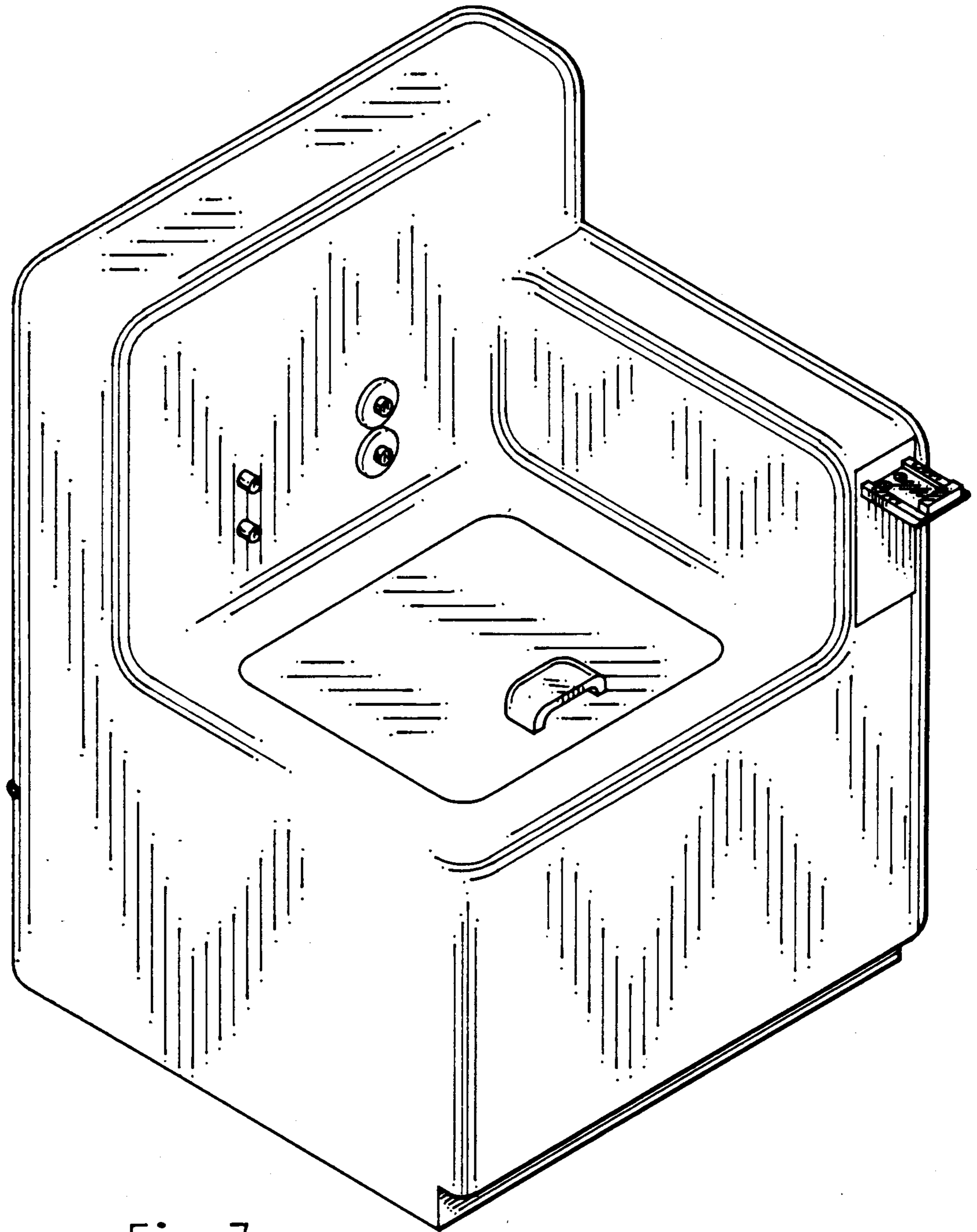


Fig. 7

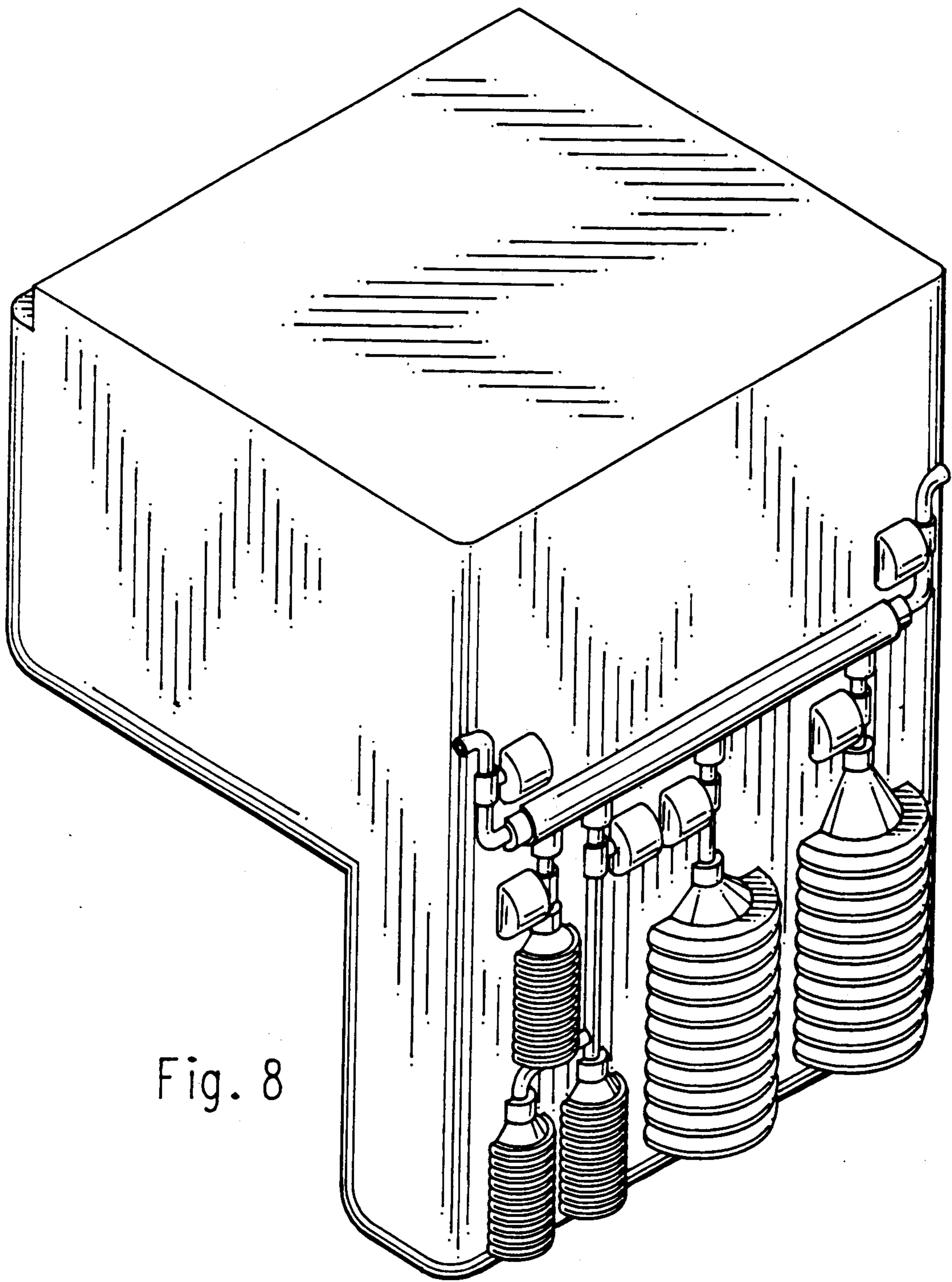


Fig. 8