

[54] EXTERIOR LIGHTING FIXTURE

[75] Inventors: Kevork P. Hazerjian, West Roxbury, Mass.; Amos Levitt, South Orange, N.J.

[73] Assignee: Sturdy Lantern Mfg. Co., Inc., North Attleboro, Mass.

[**] Term: 14 Years

[21] Appl. No.: 400,971

[22] Filed: Aug. 31, 1989

[52] U.S. Cl. D26/67; D26/24

[58] Field of Search D26/67-71; 91/24, 92/72, 85; 63/87, 88; 362/431, 432, 147; 153/362, 363, 267

[56] References Cited

U.S. PATENT DOCUMENTS

| | | | |
|------------|---------|--------------------|-----------|
| D. 304,623 | 11/1989 | Roustone | D26/63 |
| 3,263,069 | 7/1966 | Krucki et al. | D26/63 X |
| 3,416,124 | 12/1968 | Irvine | D26/63 X |
| 4,774,648 | 9/1988 | Kakuk et al. | 362/431 X |

OTHER PUBLICATIONS

Illuminating Engineering, 1-1964, p. 17, Yard light #49b.

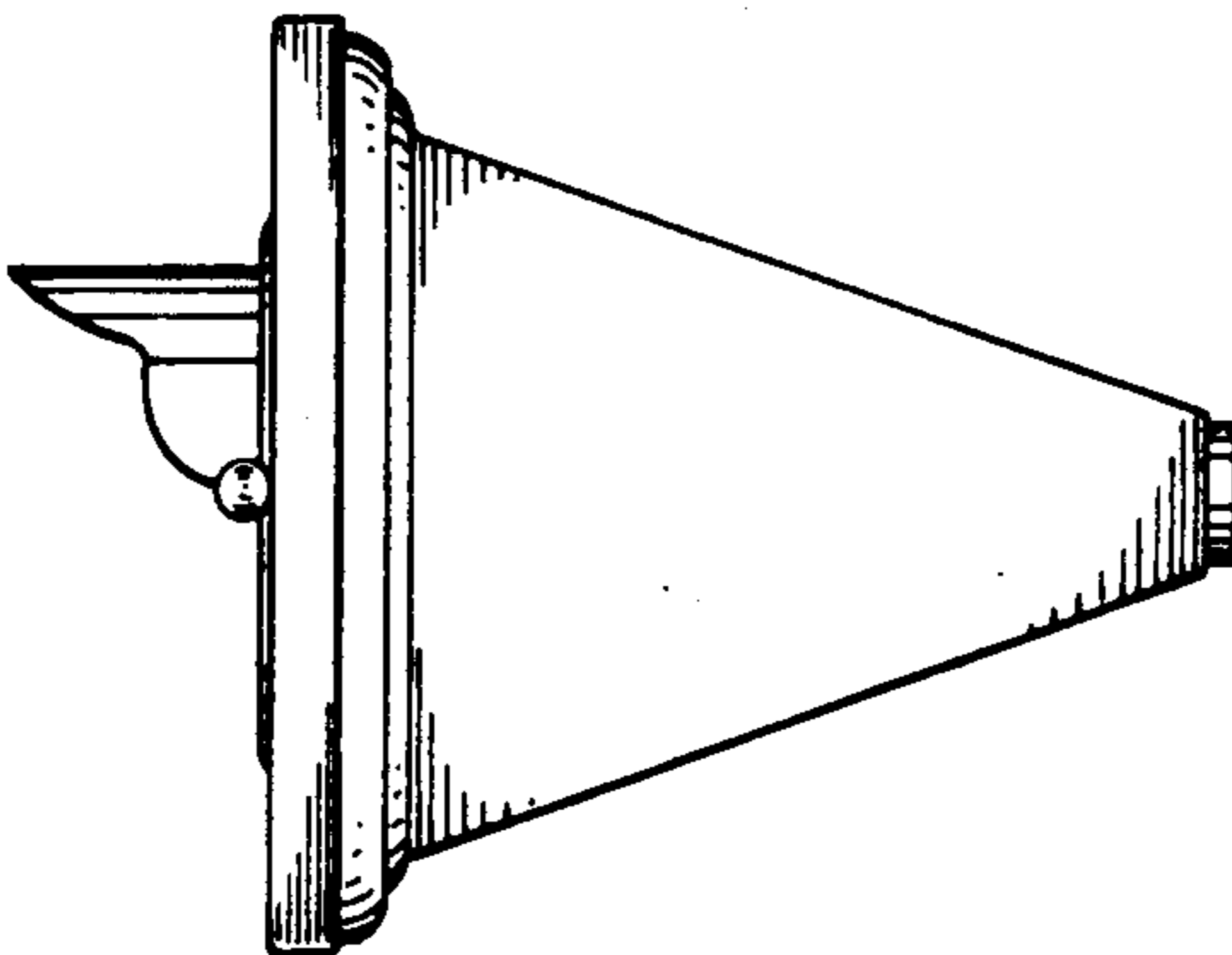
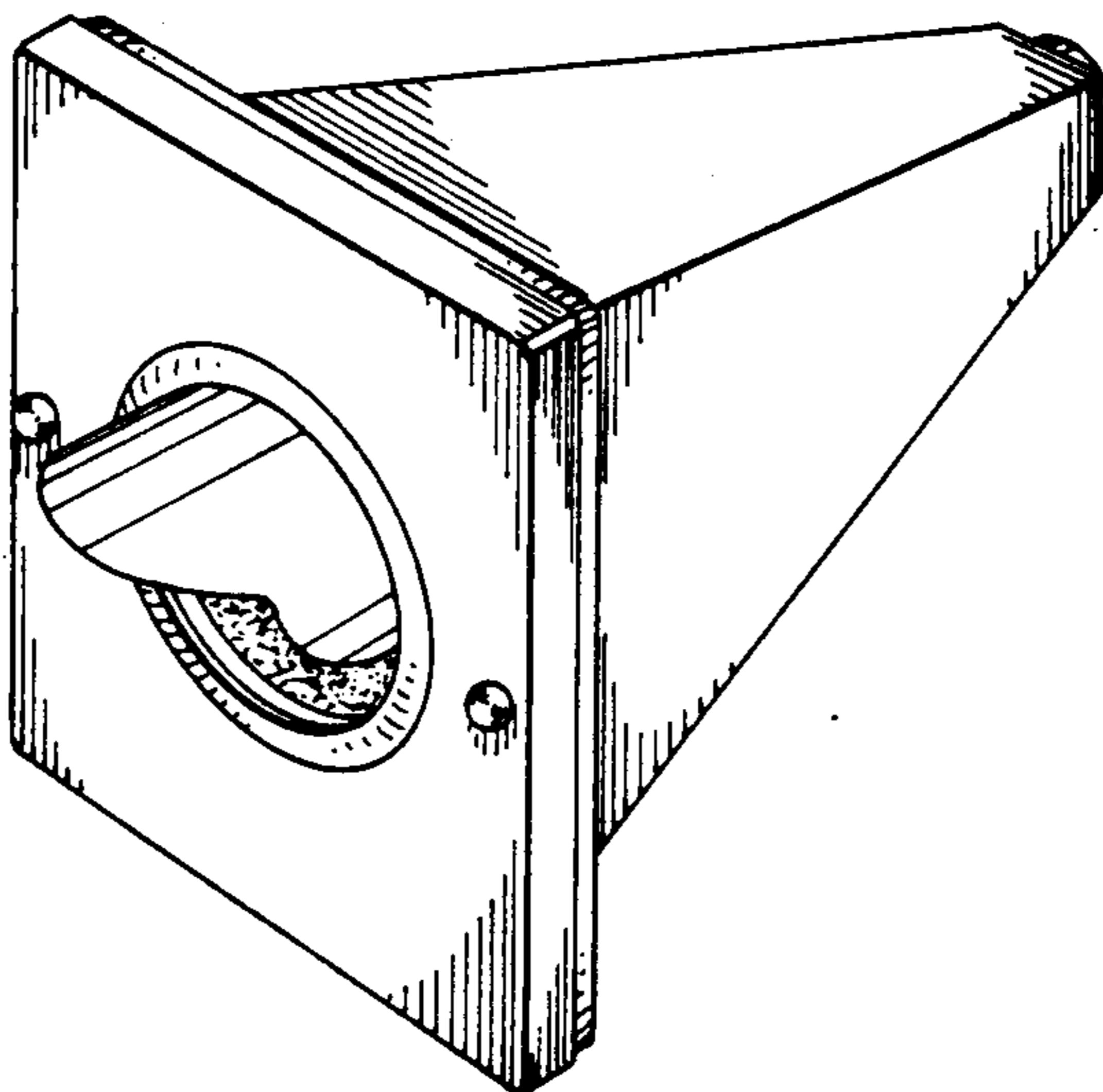
Primary Examiner—Susan J. Lucas
Attorney, Agent, or Firm—Salter & Michaelson

[57] CLAIM

The ornamental design for an exterior lighting fixture, as shown and described.

DESCRIPTION

FIG. 1 is a top perspective view of an exterior lighting fixture showing our new design;
 FIG. 2 is a side elevational view thereof, the opposite side being a mirror image;
 FIG. 3 is a top plan view thereof;
 FIG. 4 is a front elevational view thereof;
 FIG. 5 is a rear elevational view thereof;
 FIG. 6 is a top perspective view of a second embodiment of our new design;
 FIG. 7 is a side elevational view thereof, the opposite side being a mirror image;
 FIG. 8 is a top plan view thereof;
 FIG. 9 is a front elevational view thereof; and
 FIG. 10 is a rear elevational view thereof.



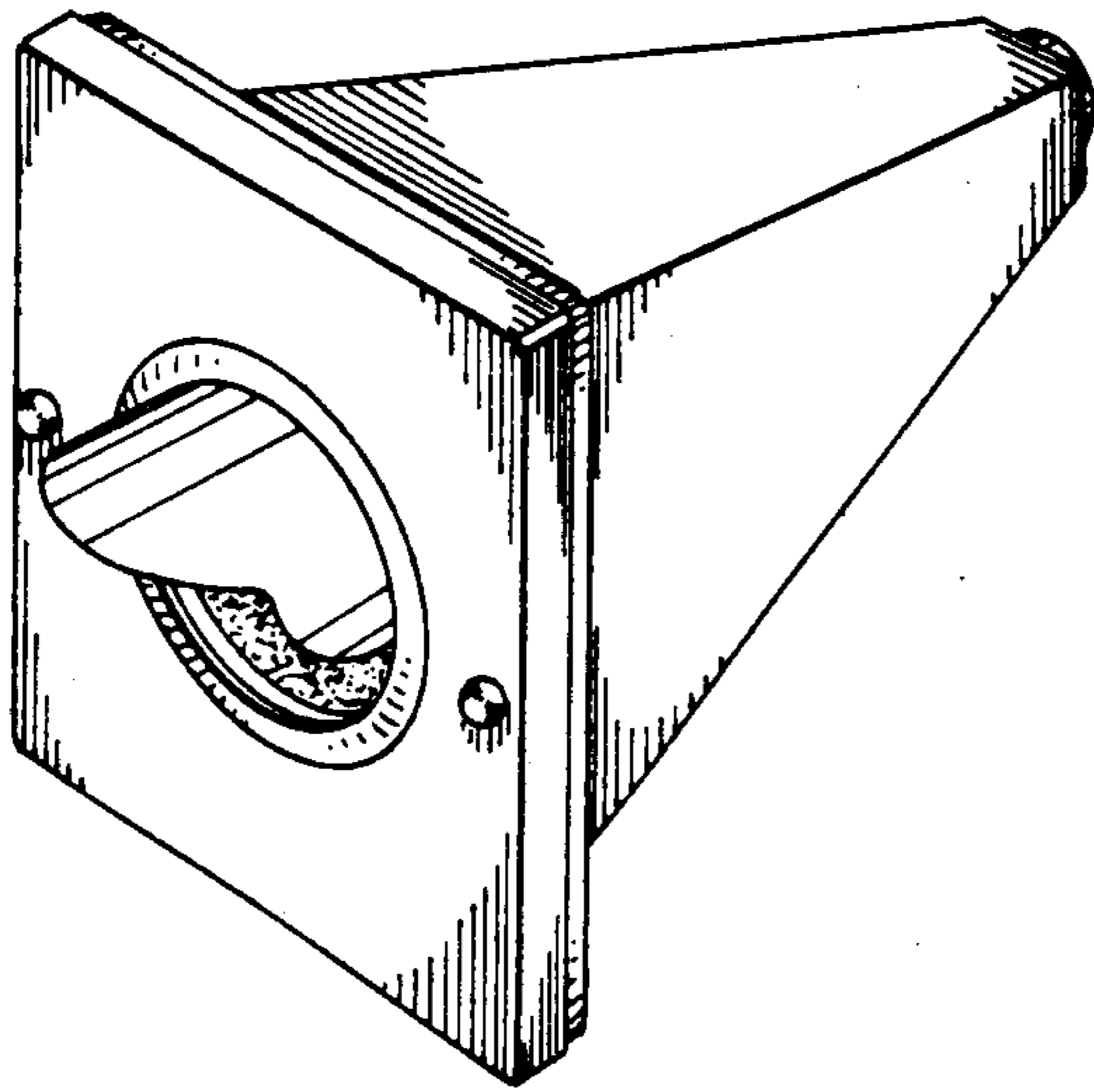


FIG. 1

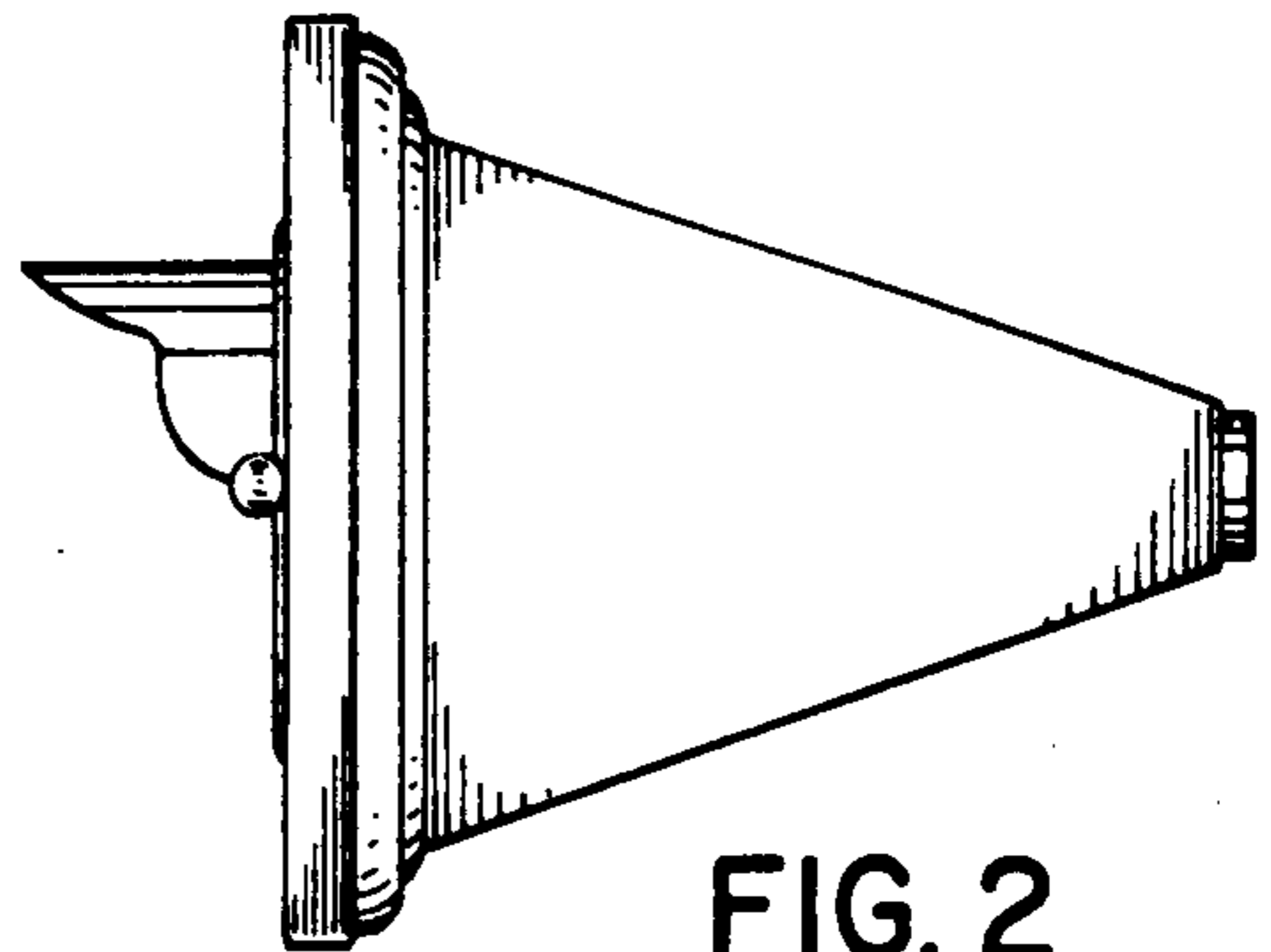


FIG. 2

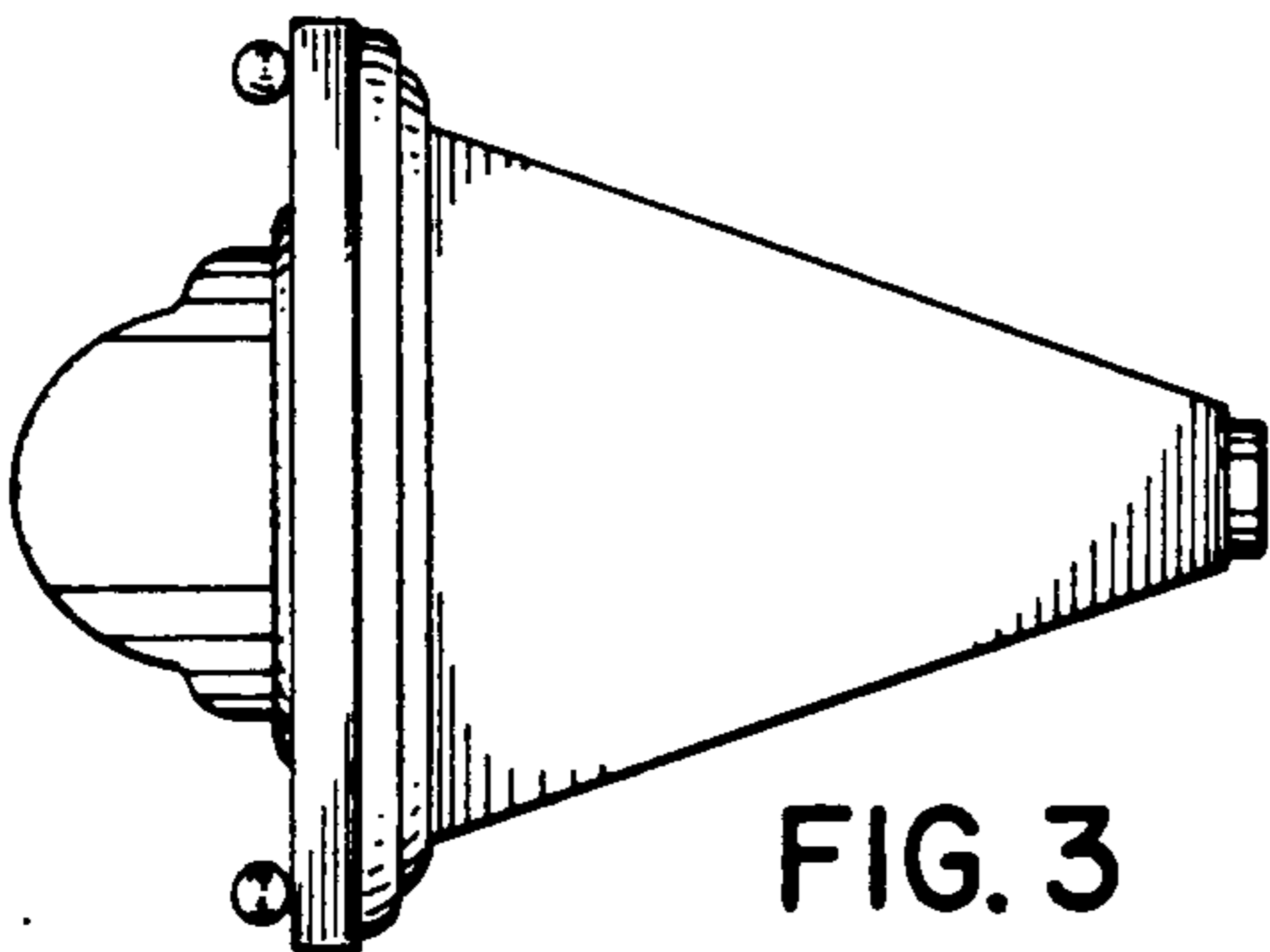


FIG. 3

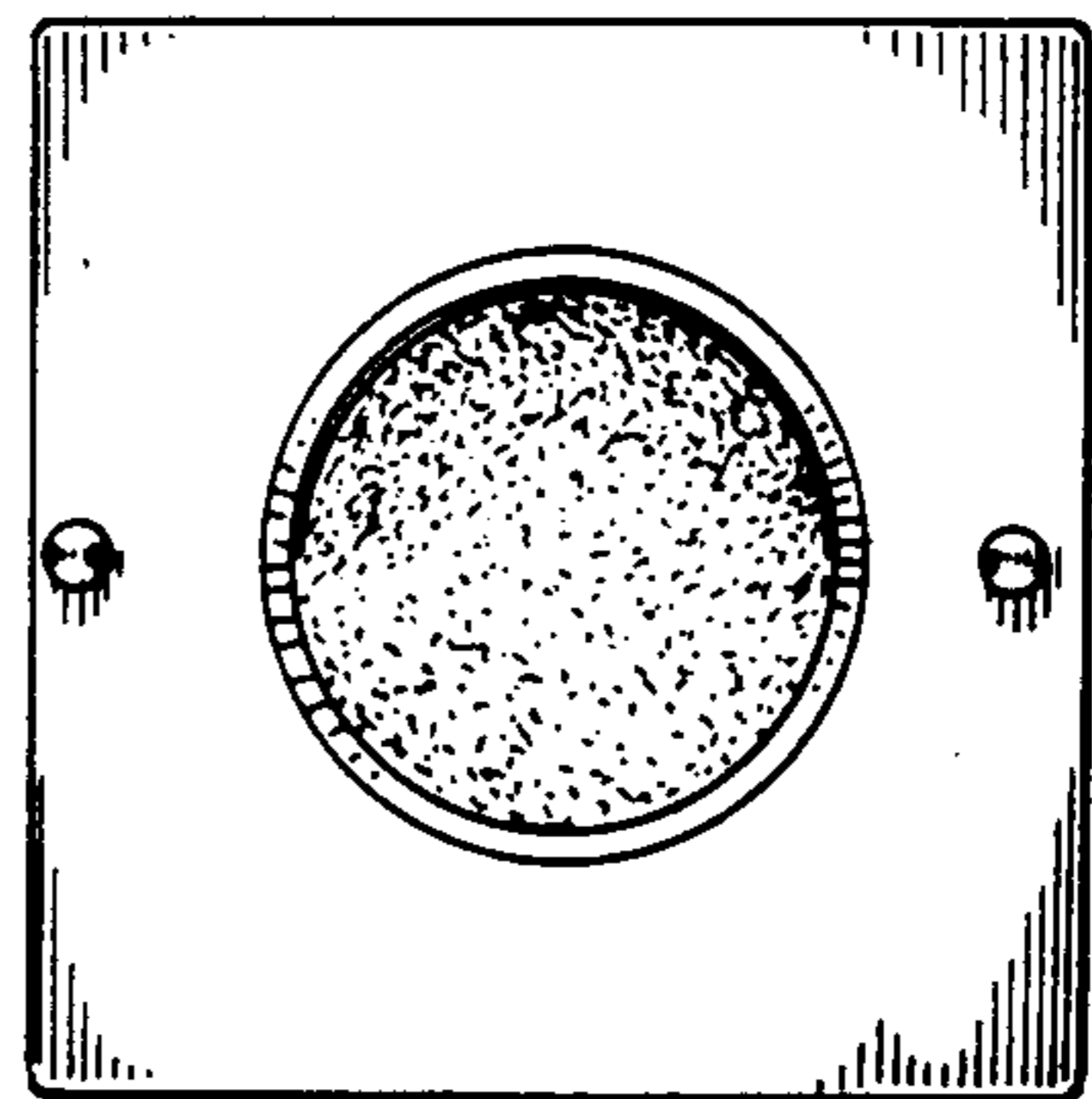


FIG. 4

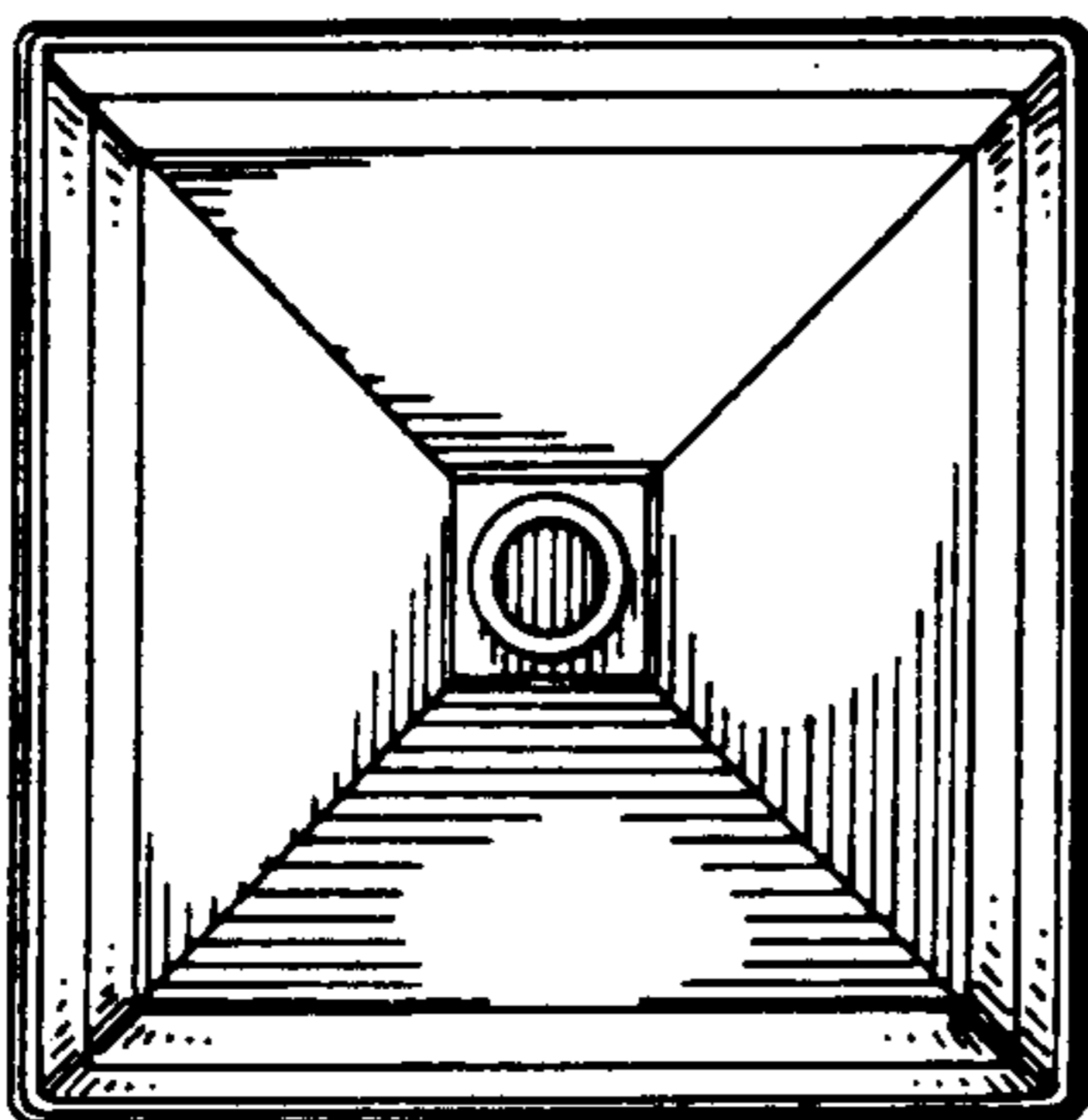


FIG. 5

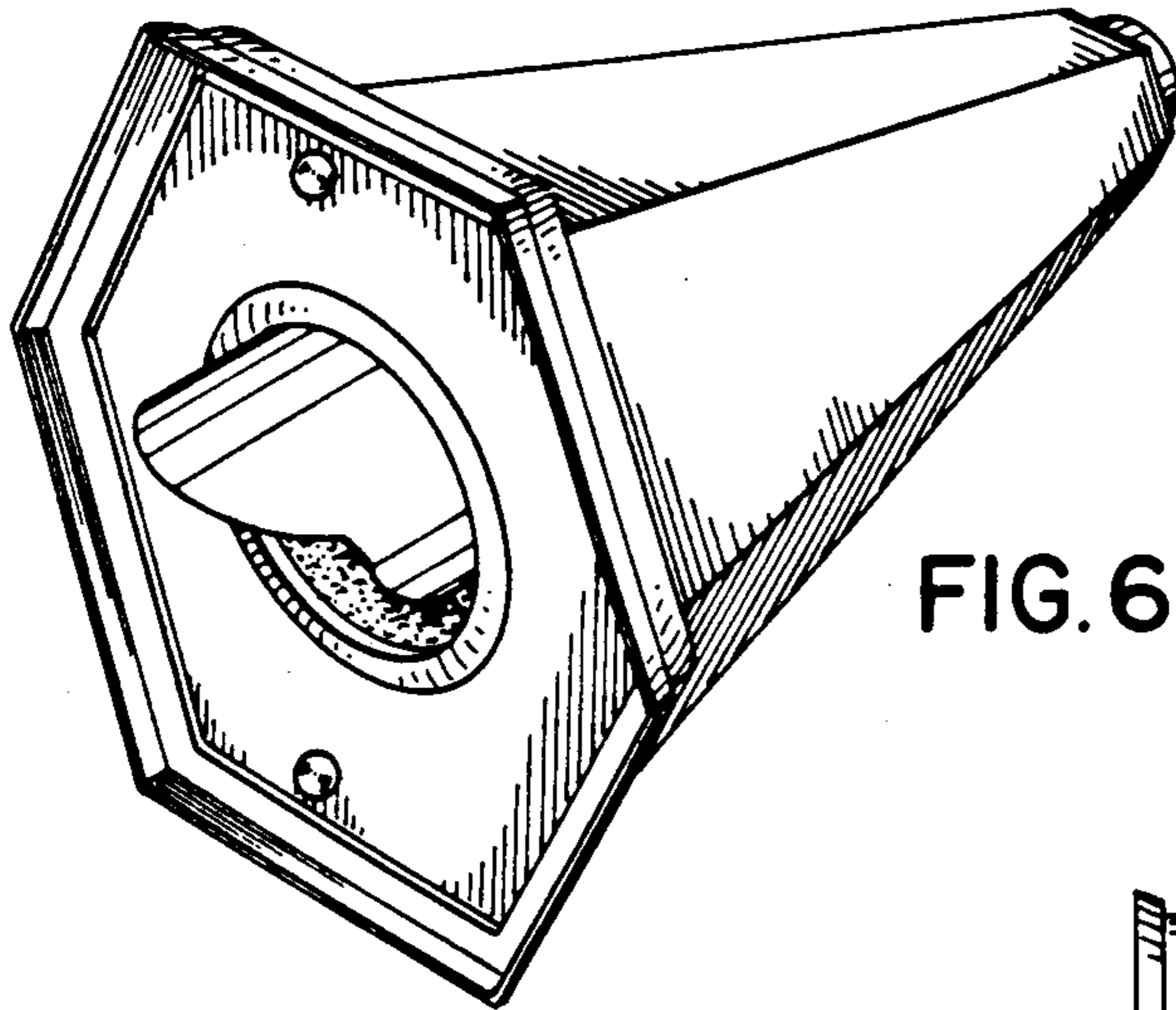


FIG. 6

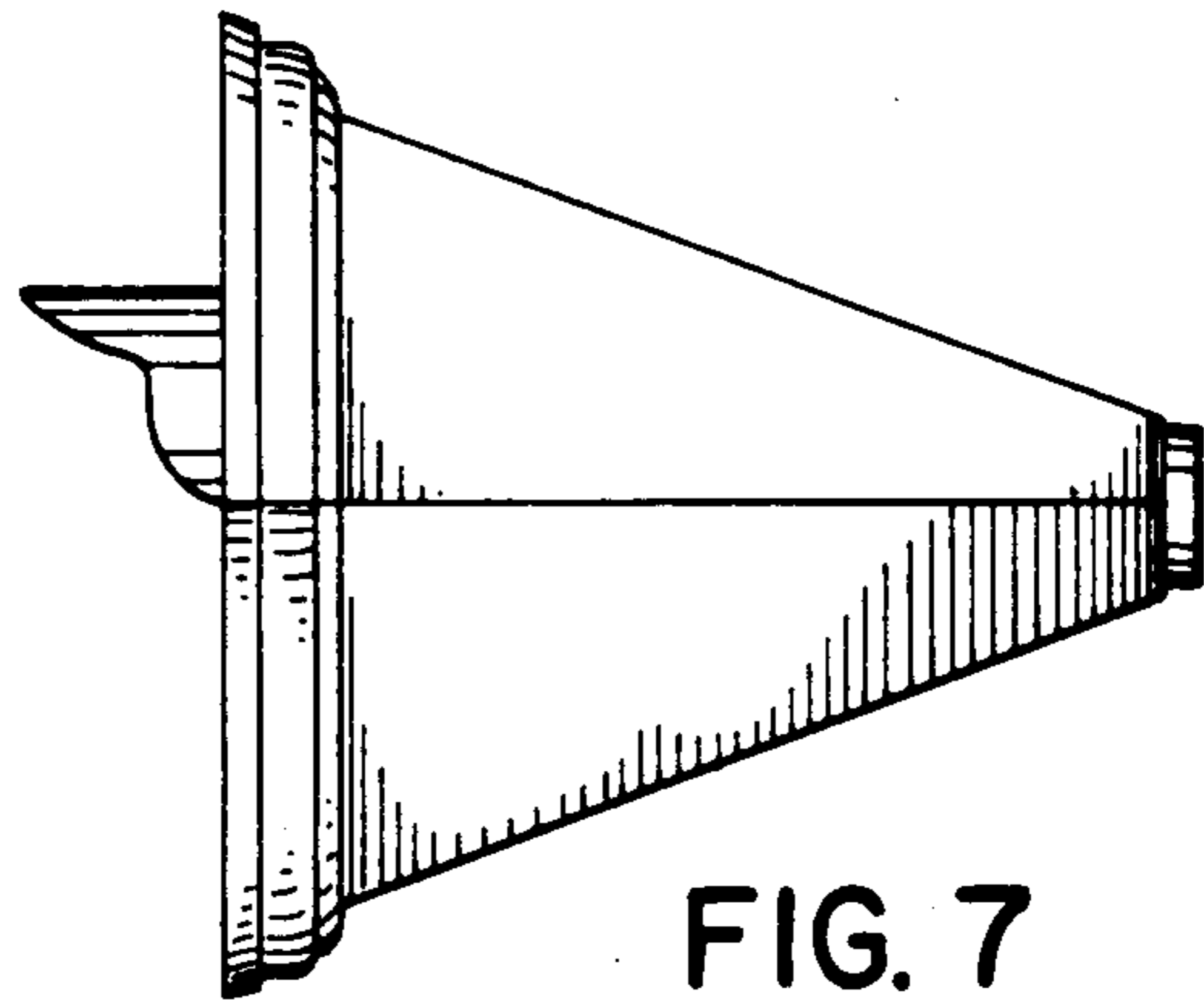


FIG. 7

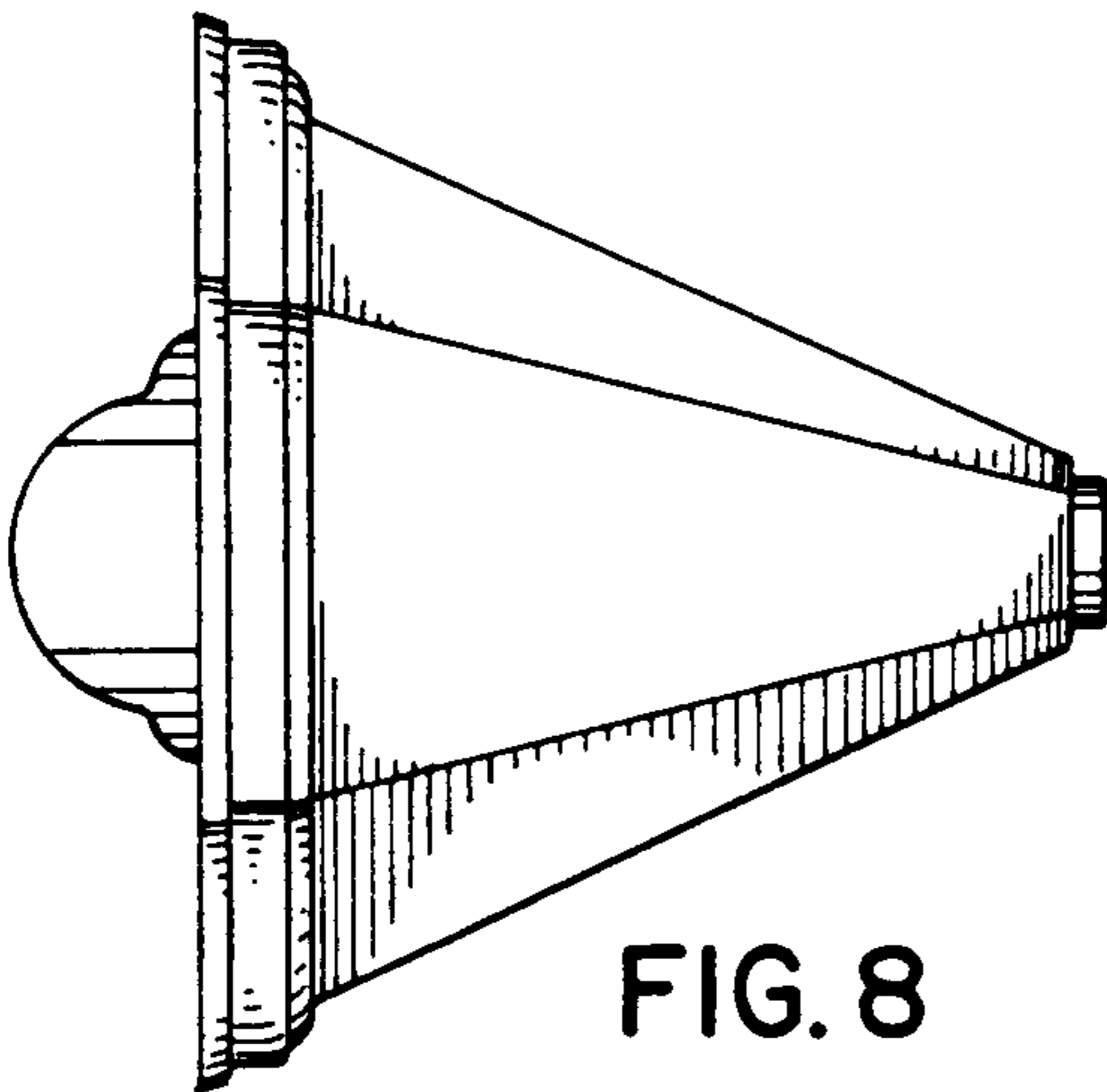


FIG. 8

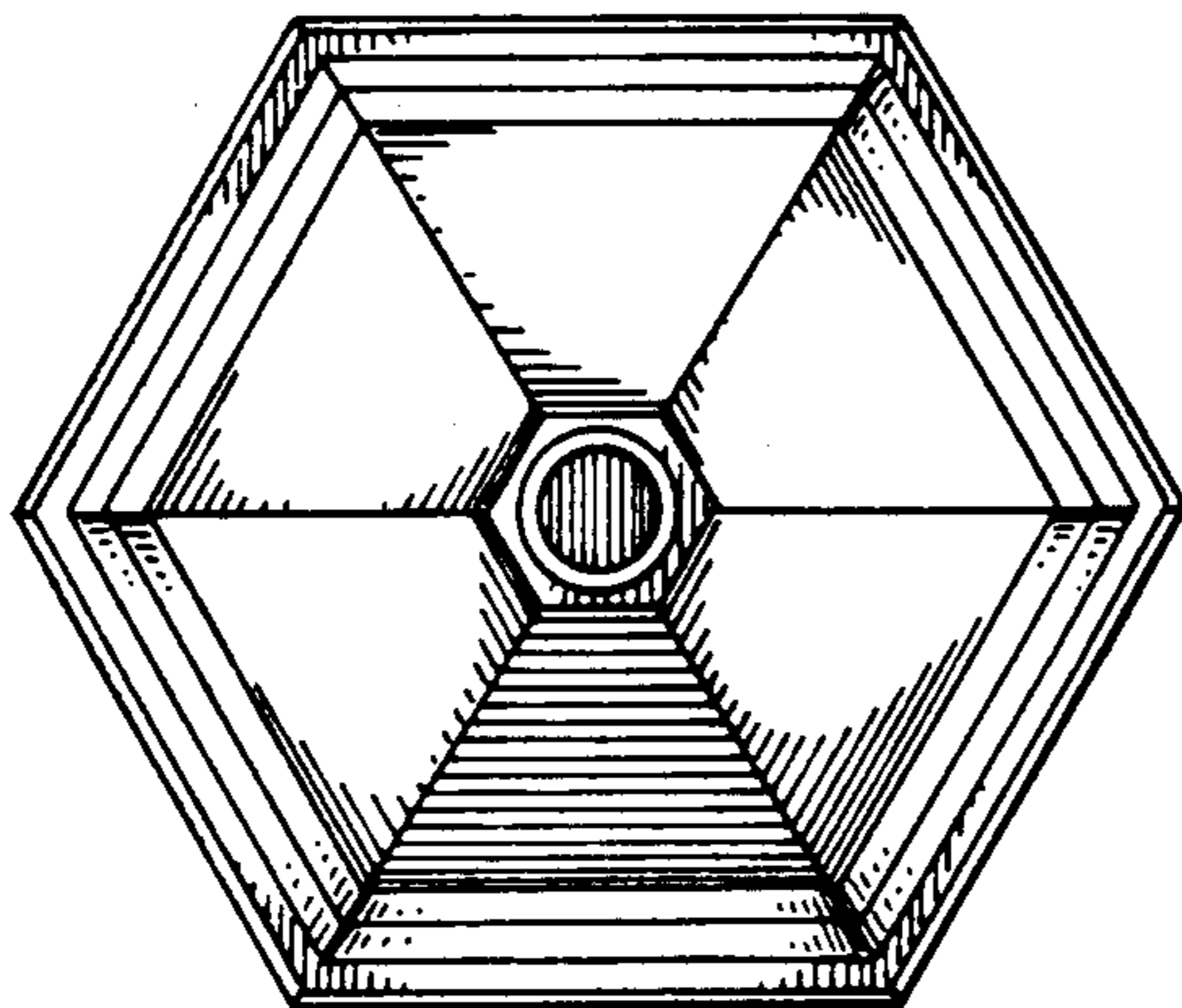


FIG. 10

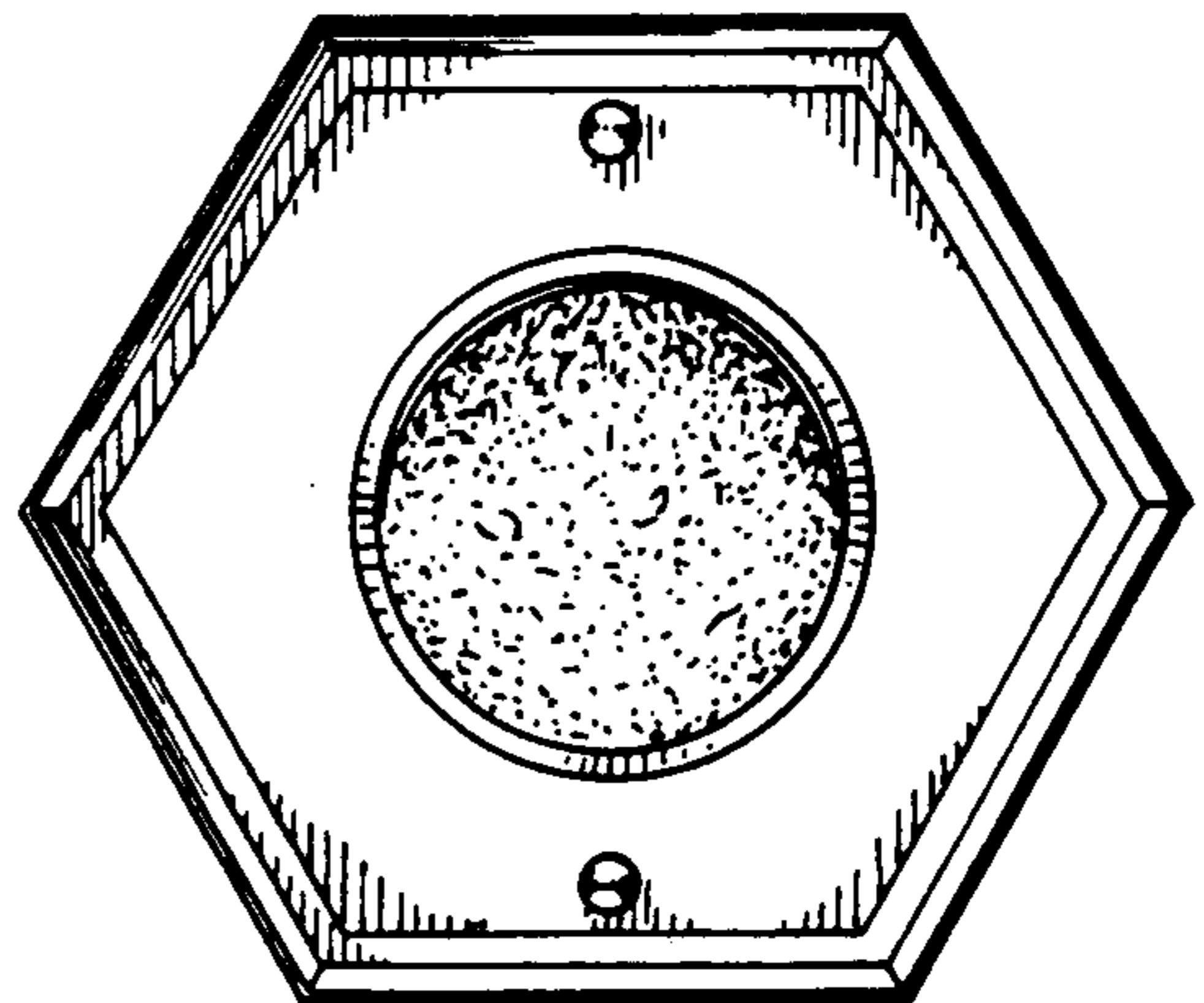


FIG. 9