

[54] EXTERIOR LIGHTING FIXTURE

[75] Inventors: Kevork P. Hazerjian, West Roxbury, Mass.; Amos Levitt, South Orange, N.J.

[73] Assignee: Sturdy Lantern Mfg. Co., Inc., North Attleboro, Mass.

[**] Term: 14 Years

[21] Appl. No.: 400,970

[22] Filed: Aug. 31, 1989

[52] U.S. Cl. D26/67; D26/24

[58] Field of Search D26/67-71, D26/24; 91/72; 92/85; 88/87, 63; 362/431, 432; 183/147; 186/362, 363, 267

[56] References Cited

U.S. PATENT DOCUMENTS

- D. 76,613 10/1928 Gruber D26/87
- 3,263,069 7/1966 Krucki et al. D26/63 X
- 3,416,124 12/1968 Irvine D26/63 X

- 4,428,034 1/1984 Seller 362/186
- 4,774,648 9/1988 Kakuk et al. 362/431 X

OTHER PUBLICATIONS

Crouse-Hinds Co. Flyer, 5-1966, Lighting Fixture. Light & Lighting, 11-1951, p. 333, Siemens "Bracknell" Lantern.

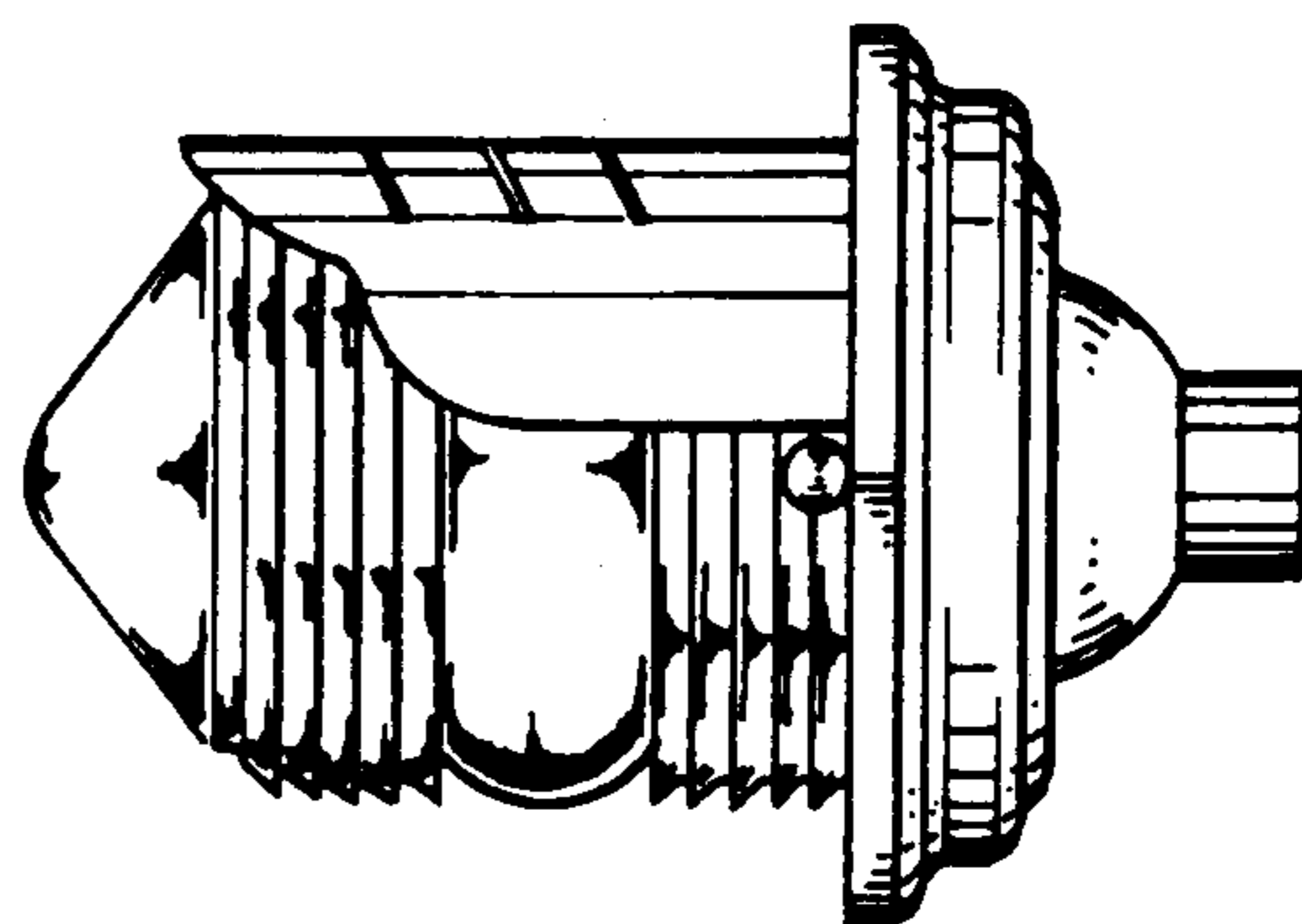
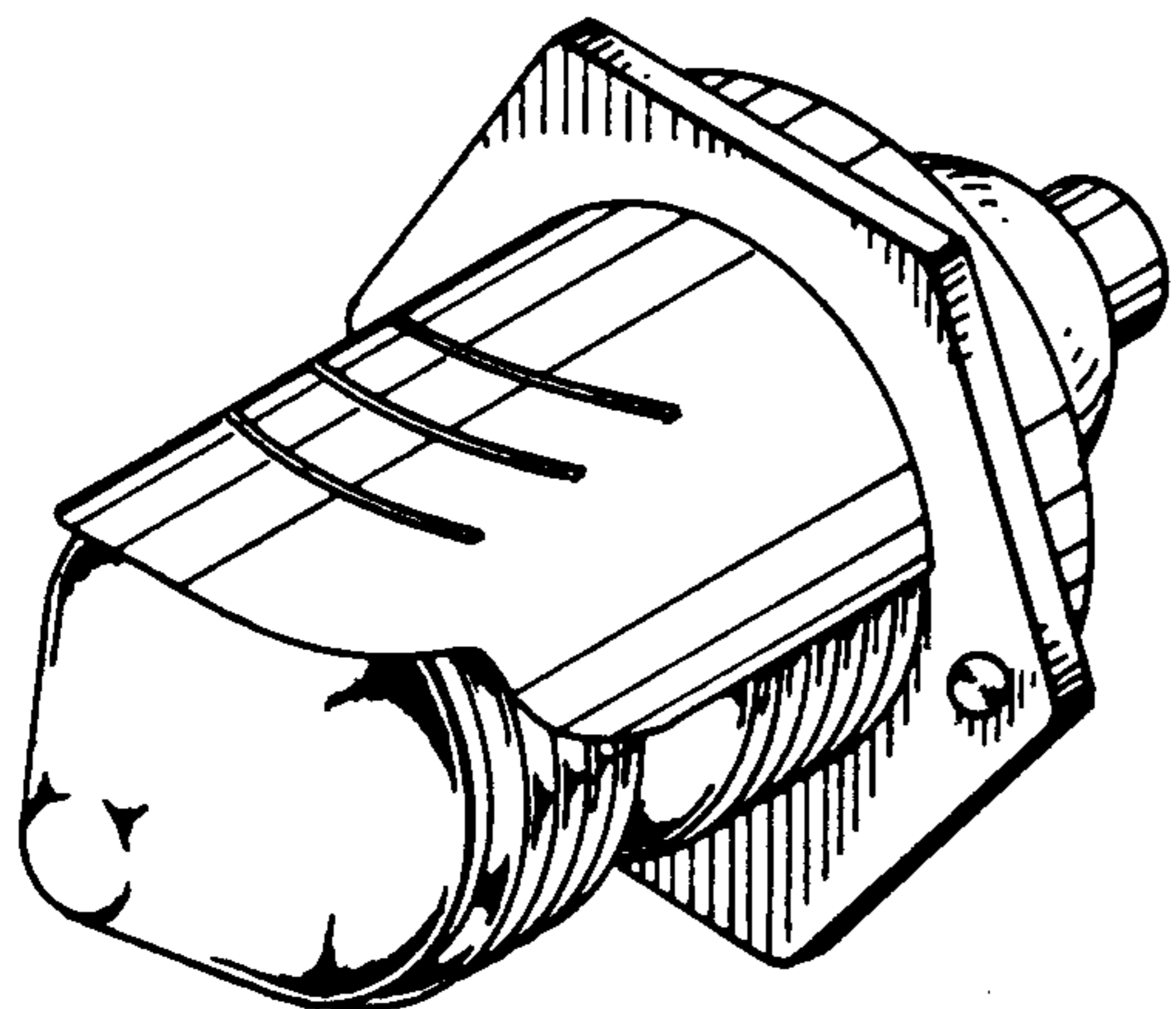
Primary Examiner—Susan J. Lucas
Attorney, Agent, or Firm—Salter & Michaelson

[57] CLAIM

The ornamental design for a exterior lighting fixture, as shown and described.

DESCRIPTION

FIG. 1 is a top perspective view of an exterior lighting fixture showing our new design;
FIG. 2 is a side elevational view thereof, the opposite side being identical;
FIG. 3 is a top plan view thereof;
FIG. 4 is a rear elevational view thereof; and
FIG. 5 is a front elevational view thereof.



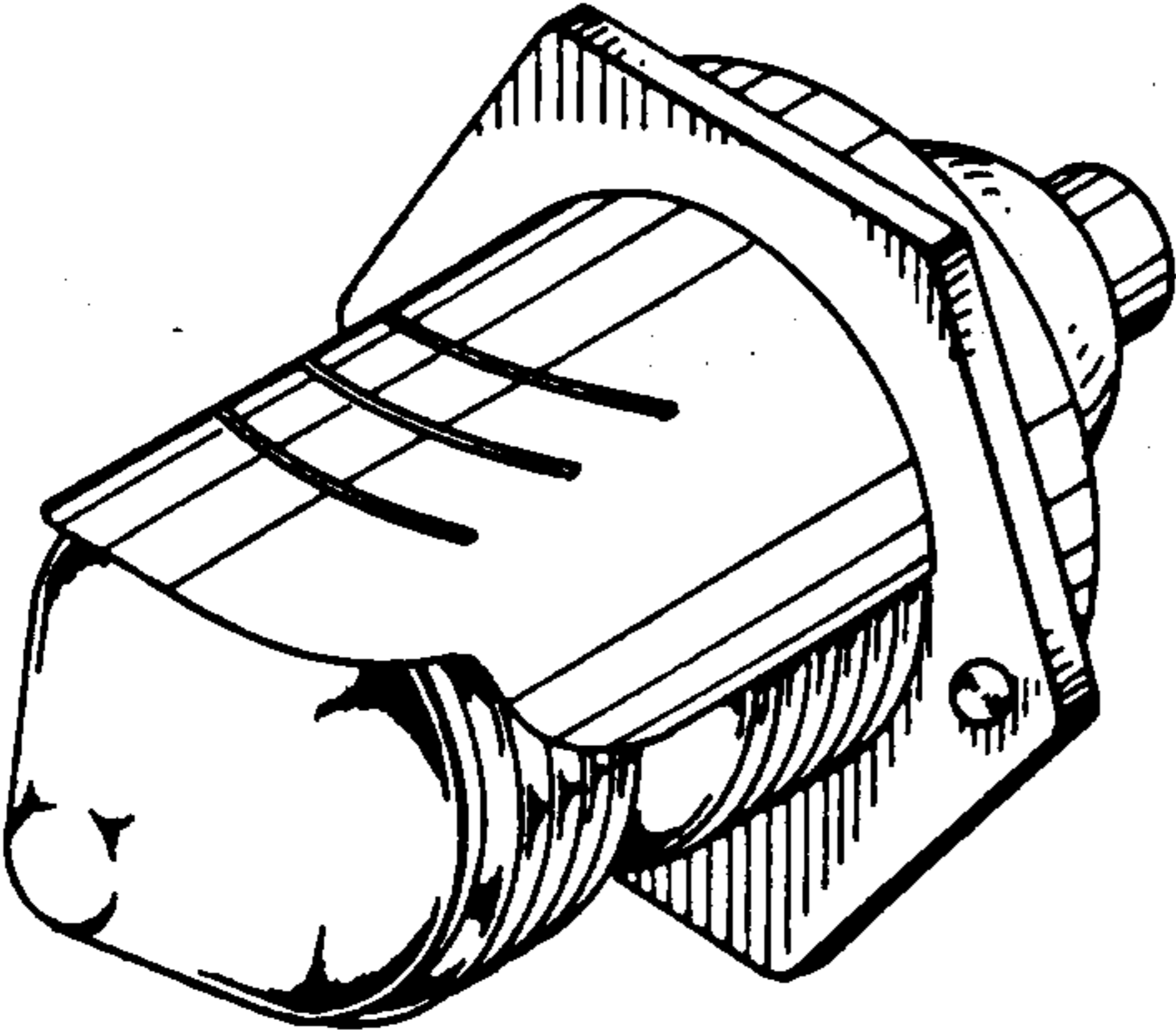


FIG. 1

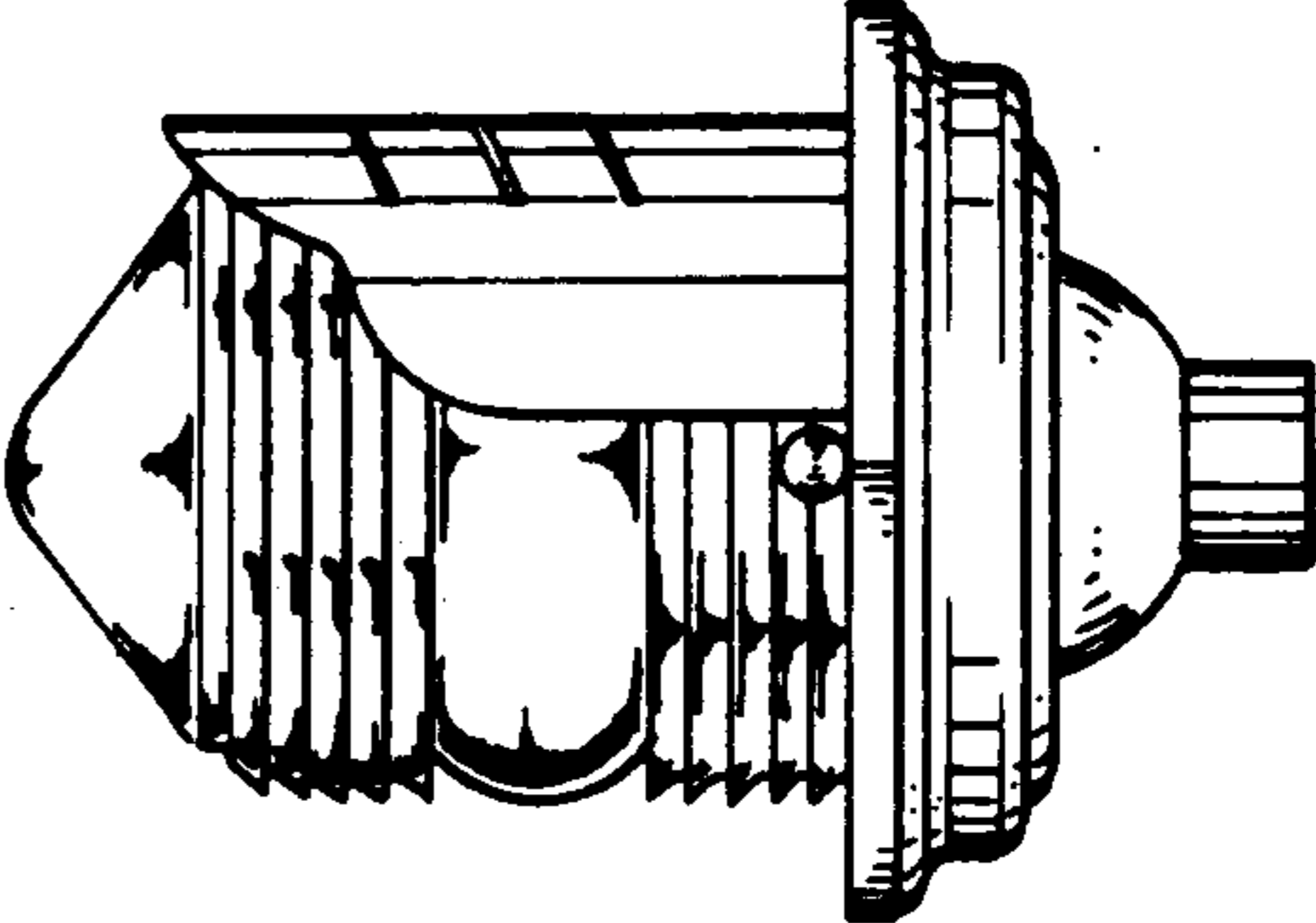


FIG. 2

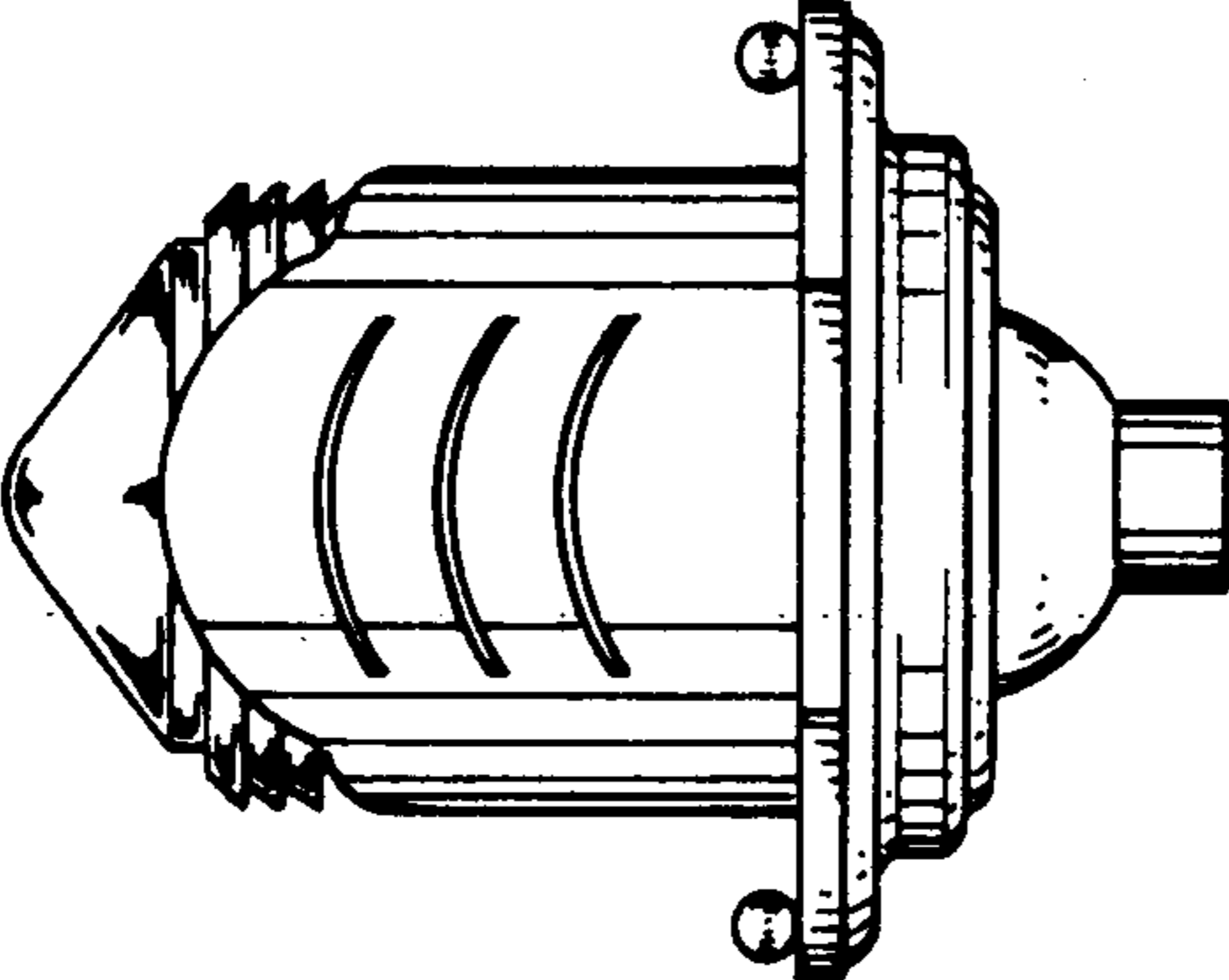


FIG. 3

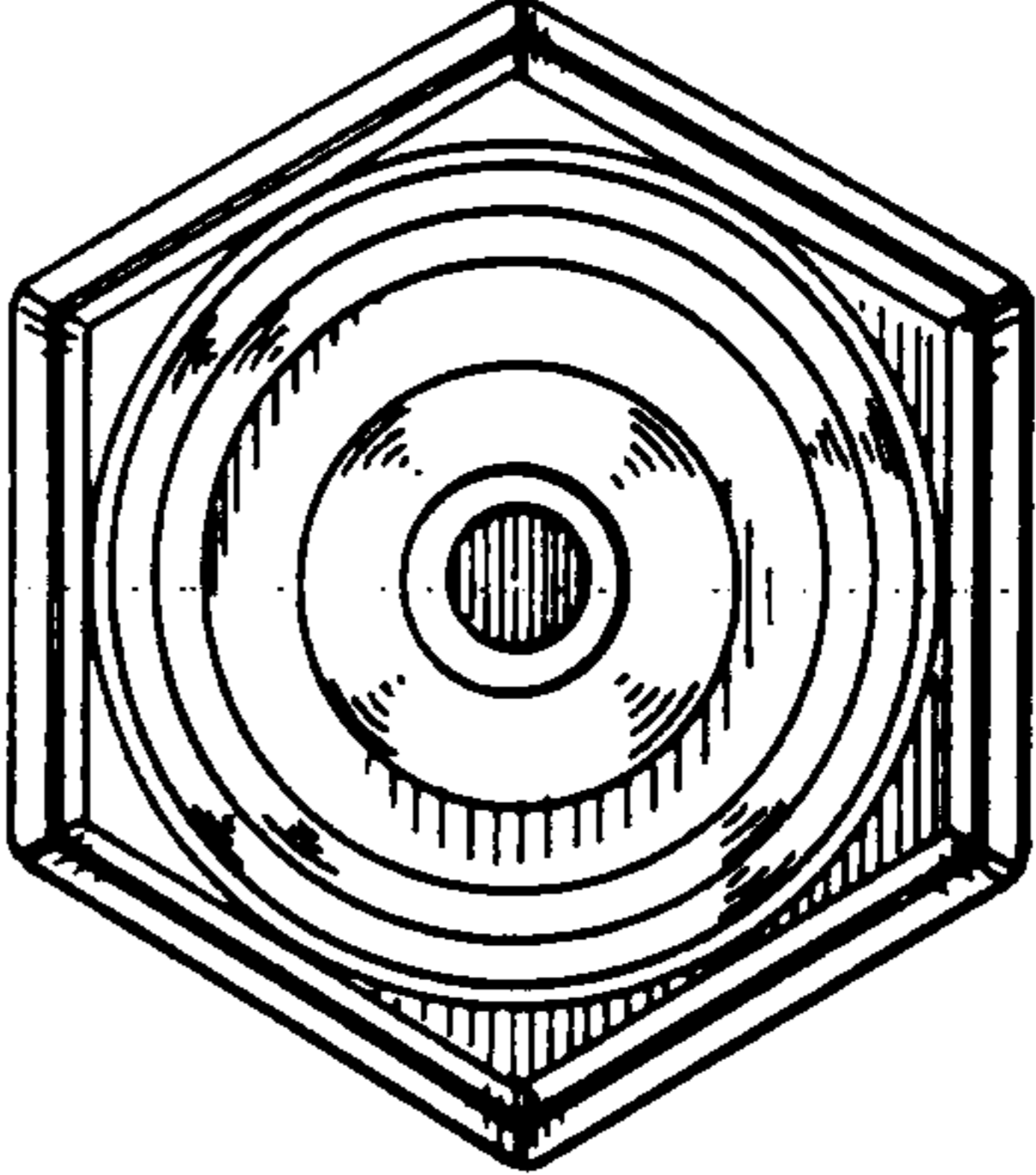


FIG. 4

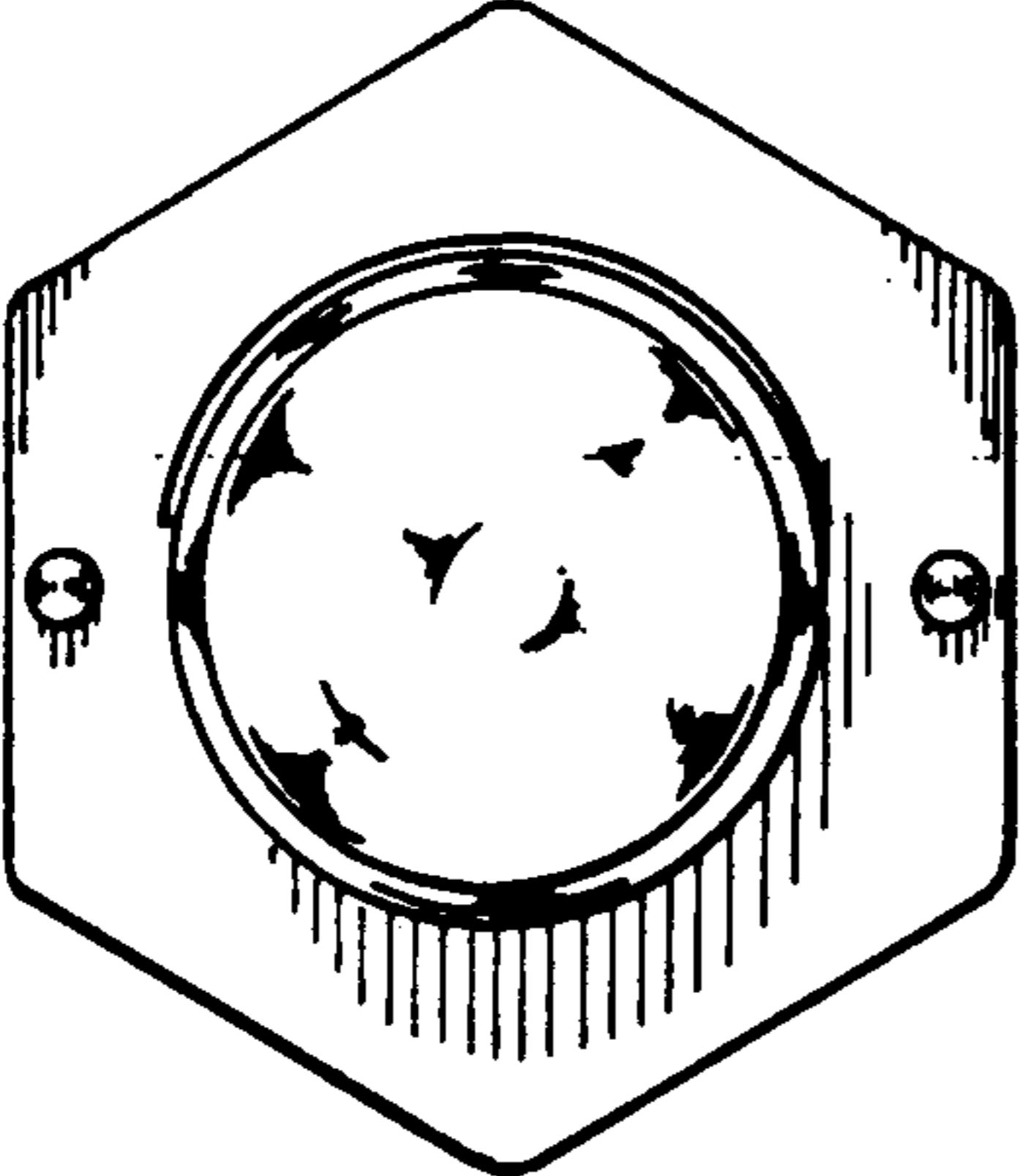


FIG. 5