

United States Patent [19]

Atkinson Paul et al.

[11] Patent Number: **Des. 316,909**

[45] Date of Patent: **** May 14, 1991**

[54] **ADJUSTABLE SPOTLIGHT**

[75] Inventors: **Atkinson Paul, Leicester; Robert Stuart, East Dean, Nr. Eastbourne both of England**

[73] Assignee: **GTE Rotaflex Limited, London, England**

[**] Term: **14 Years**

[21] Appl. No.: **288,816**

[22] Filed: **Dec. 23, 1988**

[30] **Foreign Application Priority Data**

Jul. 1, 1988 [GB] United Kingdom 1051991

[52] U.S. Cl. **D26/63**

[58] Field of Search D26/60-65;
362/147, 269, 275, 287, 418, 419, 427, 432, 404,
362

[56] **References Cited**

U.S. PATENT DOCUMENTS

D. 287,413 12/1986 Kusmer et al. D26/65

D. 299,551 1/1989 Donato D26/63
D. 299,552 1/1989 Donato D26/63

OTHER PUBLICATIONS

Swivelier Lighting Catalog, ©1986, p. 53, Spotlight with Adapter Shade.

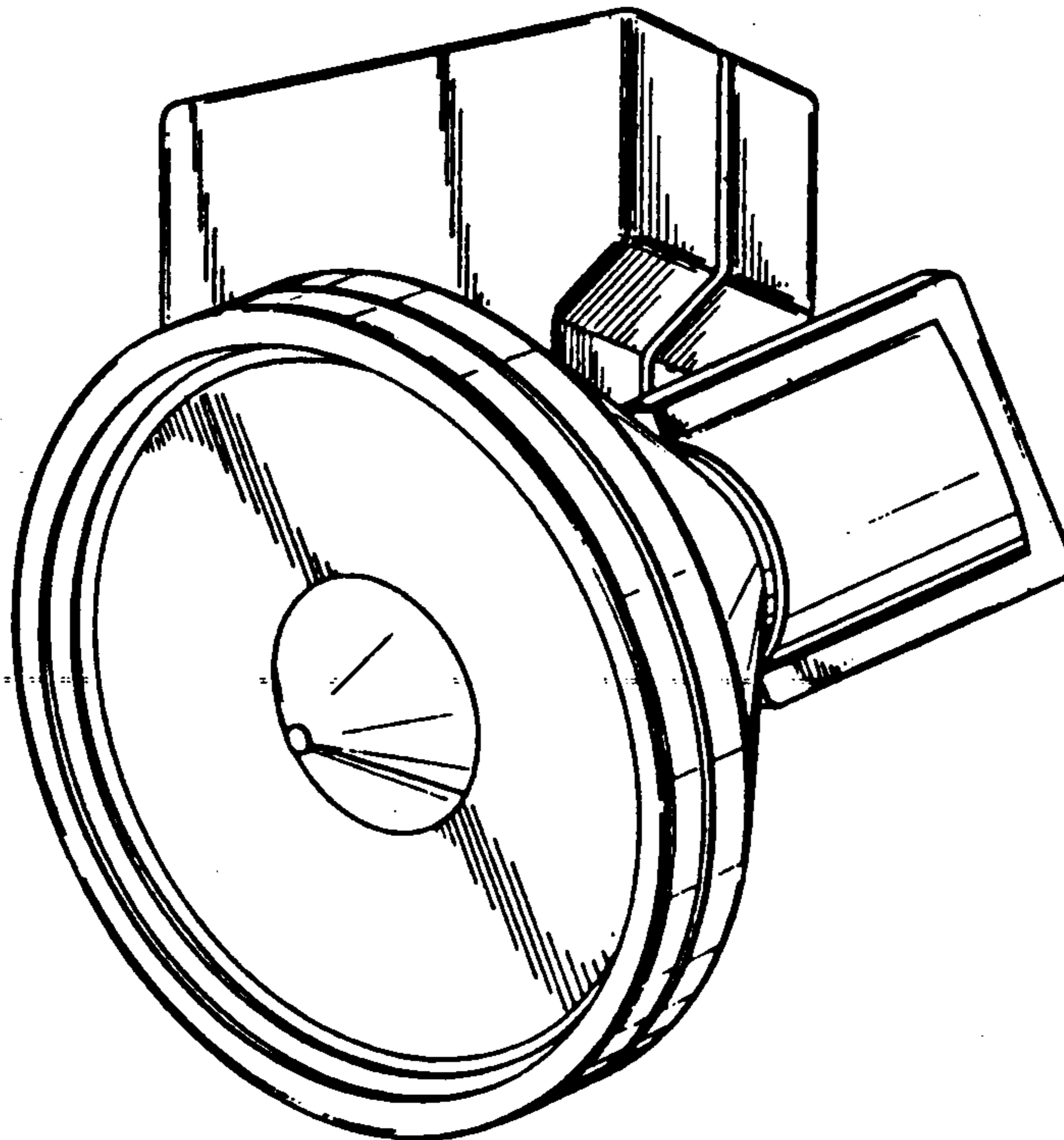
Primary Examiner—Susan J. Lucas
Attorney, Agent, or Firm—Watson, Cole, Grindle & Watson

[57] **CLAIM**

The ornamental design for an adjustable spotlight, as shown and described.

DESCRIPTION

FIG. 1 is a front, left side perspective view of an adjustable spotlight showing our new design;
FIG. 2 is a front elevational view thereof, the spotlight being pivoted to an alternate position;
FIG. 3 is a left side elevational view thereof;
FIG. 4 is a bottom plan view thereof;
FIG. 5 is a right side elevational view thereof;
FIG. 6 is a top plan view thereof;
FIG. 7 is a rear elevational view thereof.



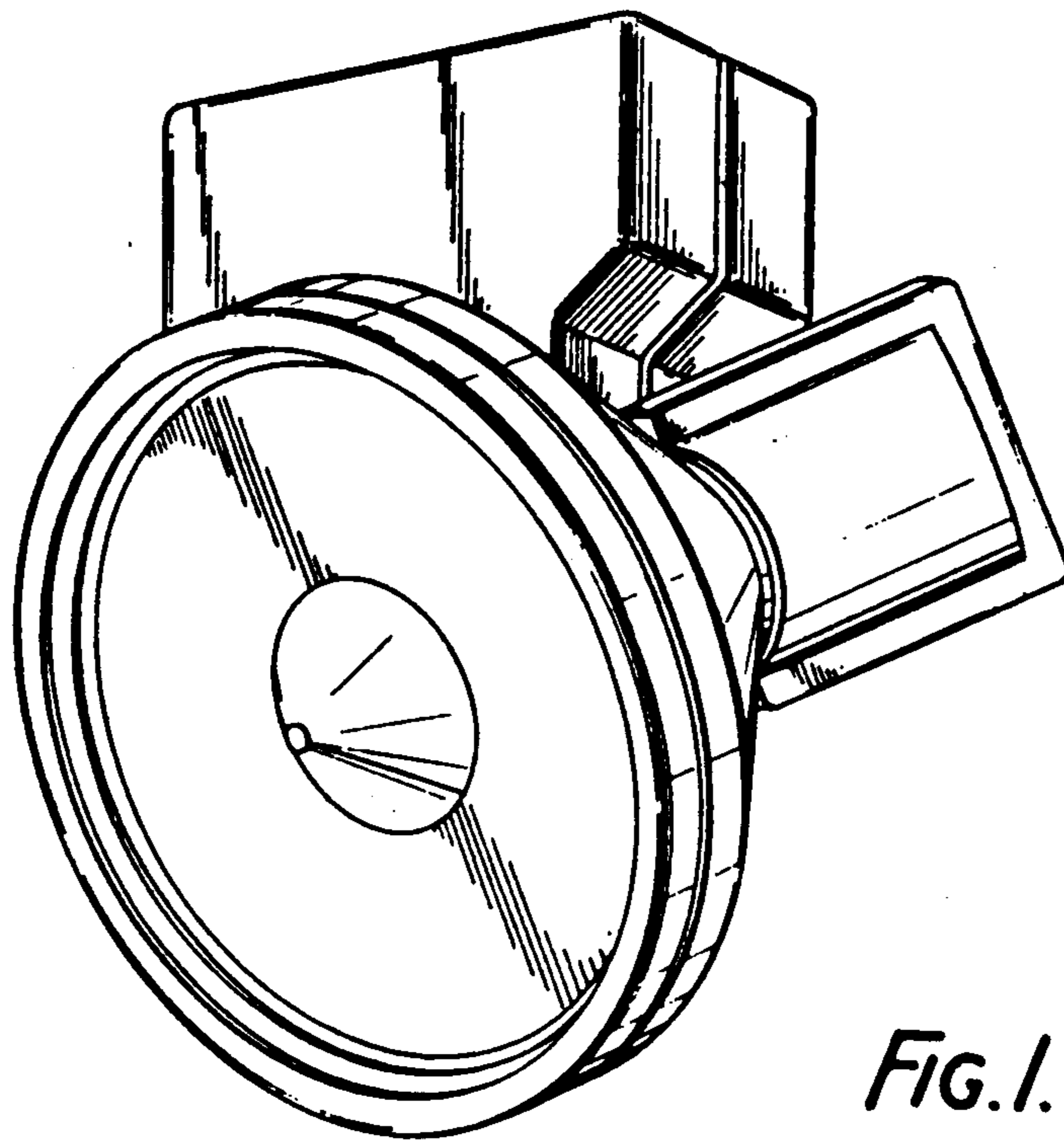


FIG. 1.

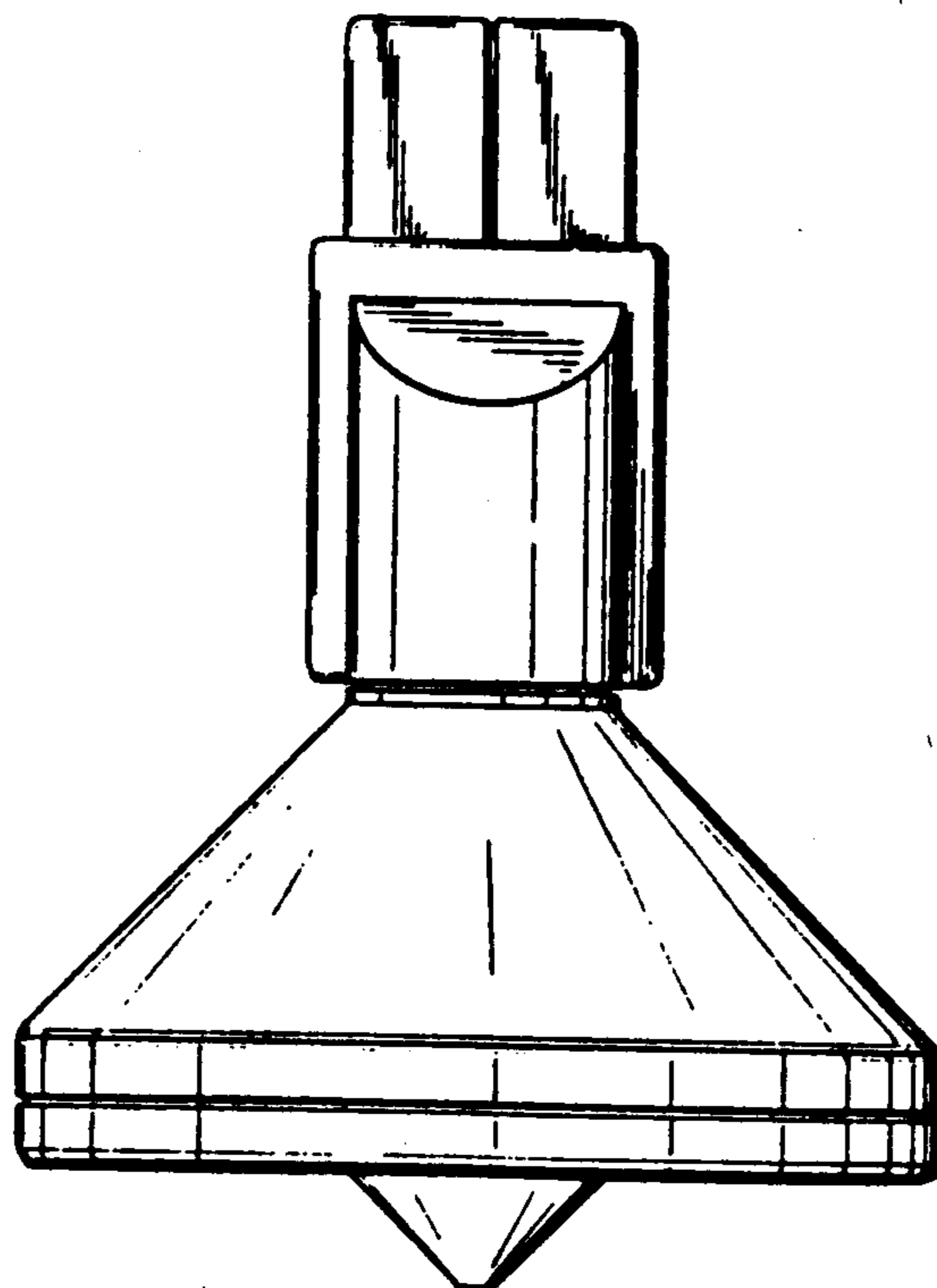


FIG. 2.

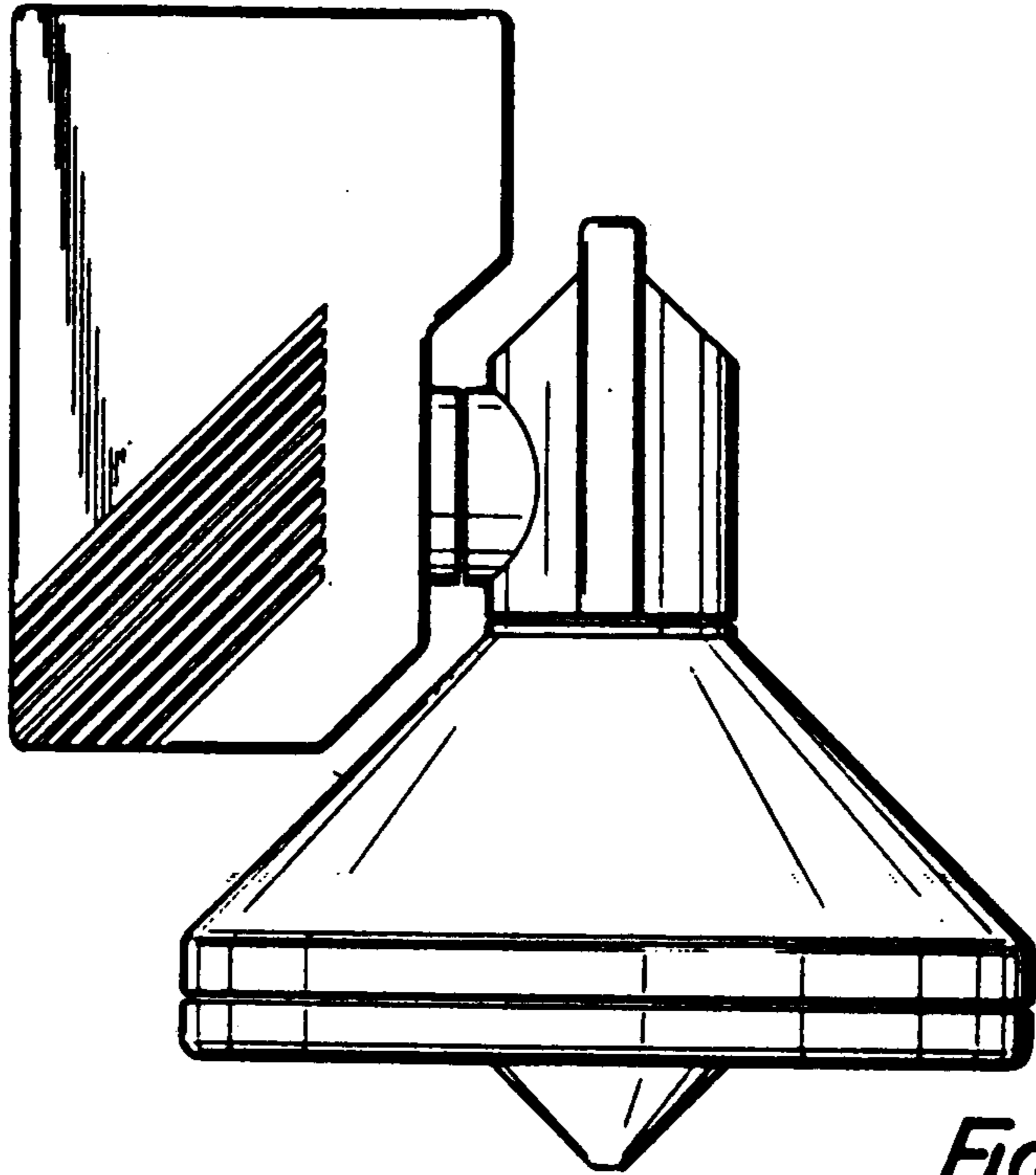


FIG.3.

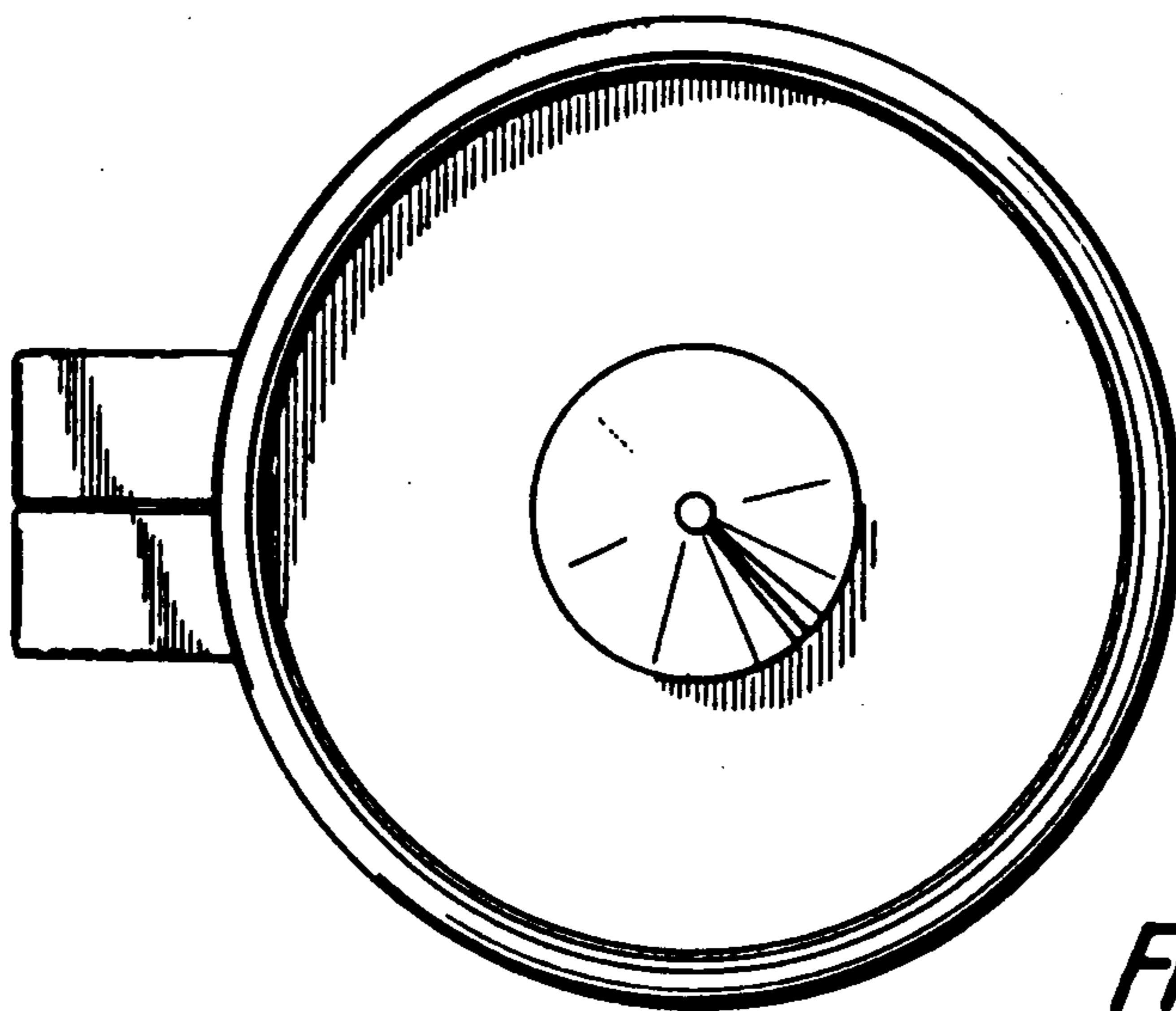


FIG.4.

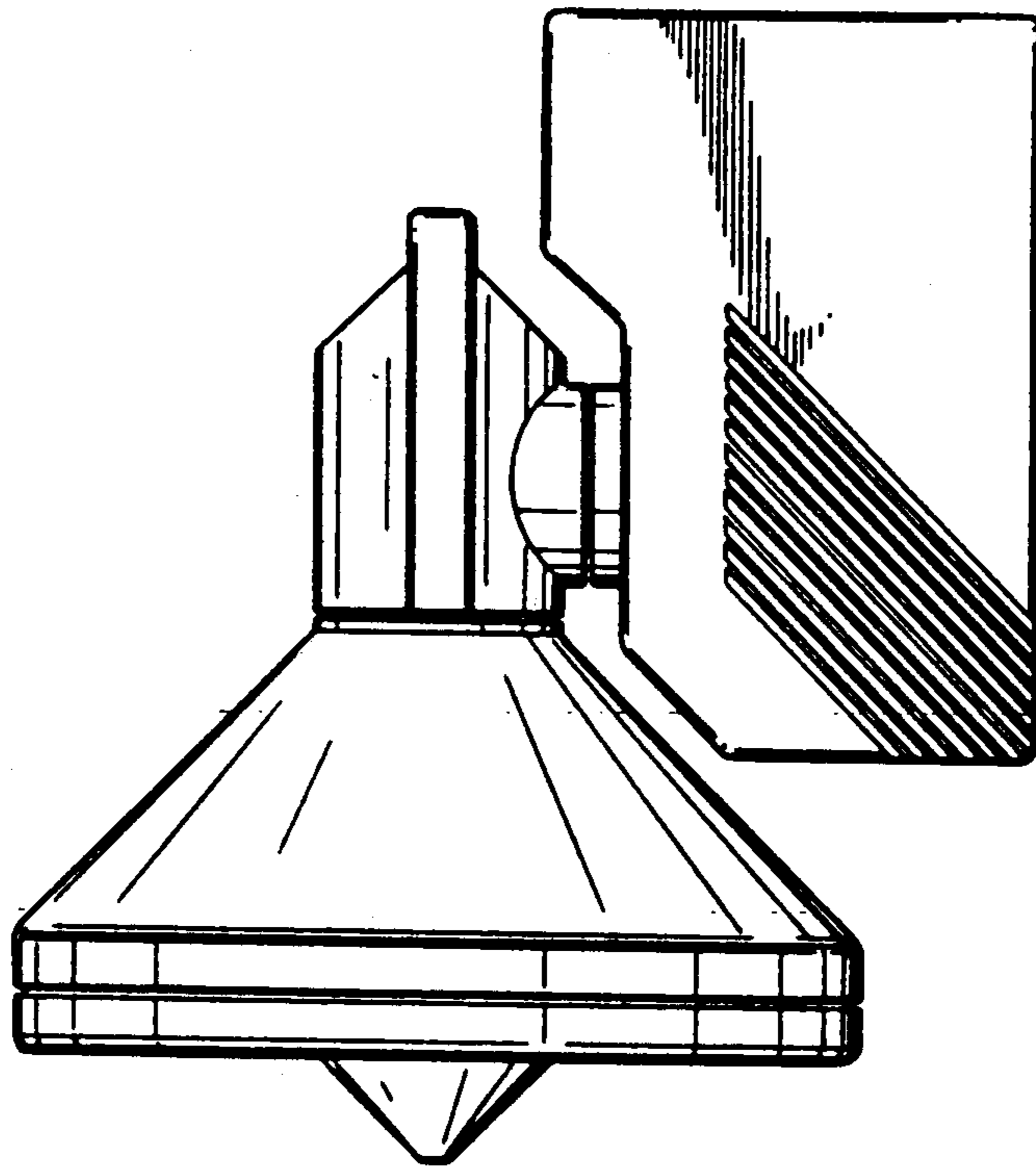


FIG.5.

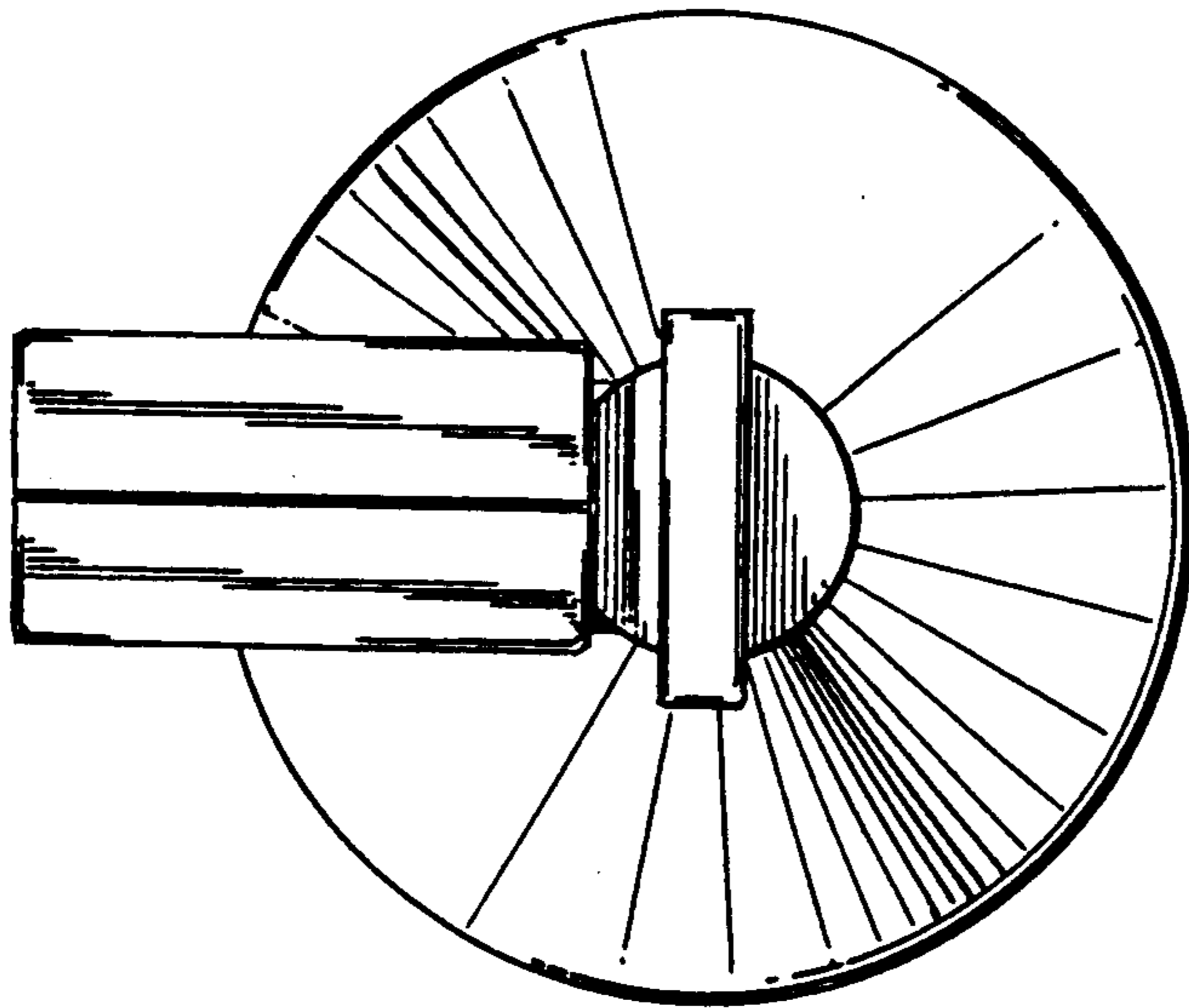


FIG. 6.

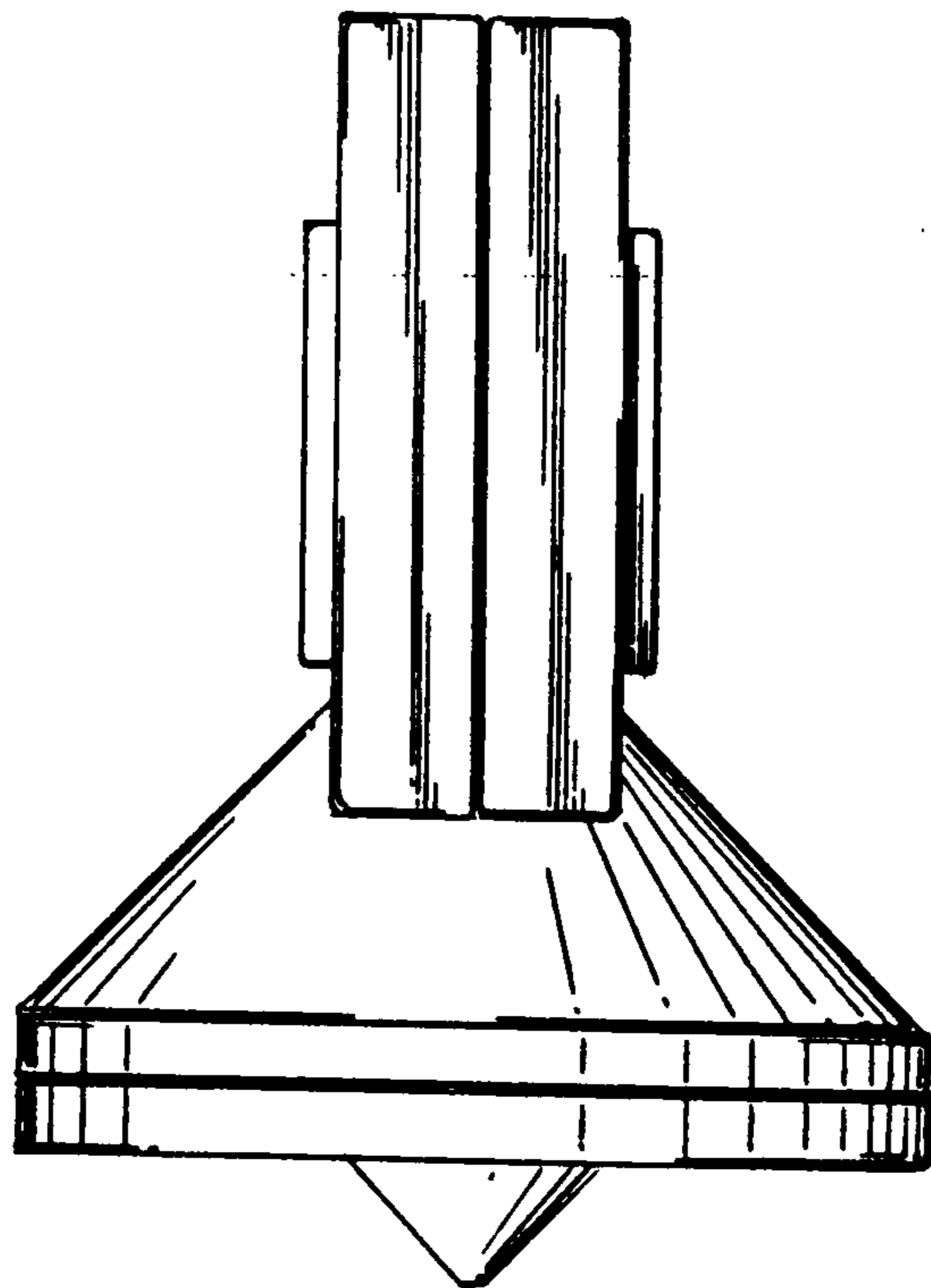


FIG. 7.

UNITED STATES PATENT AND TRADEMARK OFFICE
CERTIFICATE OF CORRECTION

PATENT NO. : Des. 316,909

DATED : May 14, 1991

INVENTOR(S) : Paul Atkinson and Robert Stuart

It is certified that error appears in the above-identified patent and that said Letters Patent is hereby corrected as shown below:

Title page: item (19) change "Atkinson Paul" to --Atkinson--.

**Signed and Sealed this
Fifteenth Day of September, 1992**

Attest:

DOUGLAS B. COMER

Attesting Officer

Acting Commissioner of Patents and Trademarks

UNITED STATES PATENT AND TRADEMARK OFFICE
CERTIFICATE OF CORRECTION

PATENT NO. : Des. 316,909

DATED : May 14, 1991

INVENTOR(S) : Paul Atkinson and Robert Stuart

It is certified that error appears in the above-identified patent and that said Letters Patent is hereby corrected as shown below:

Title Page: Item (19) change "Atkinson Paul" to
--Paul Atkinson--.

This certificate supersedes Certificate of Correction issued
September Fifteenth, 1992.

Signed and Sealed this

Fourteenth Day of September, 1993



Attest:

BRUCE LEHMAN

Attesting Officer

Commissioner of Patents and Trademarks