

# United States Patent [19]

White et al.

[11] Patent Number: **Des. 316,900**

[45] Date of Patent: **\*\* May 14, 1991**

[54] **NON-DRIP BABY BOTTLE CAP**

[76] Inventors: **Lesla L. White; Johnny R. White**, both of 706 S. Sutton, Mabank, Tex. 75147

[\*\*] Term: **14 Years**

[21] Appl. No.: **240,045**

[22] Filed: **Sep. 2, 1988**

[52] U.S. Cl. .... **D24/47**

[58] Field of Search ..... **D24/47; 215/11.1-11.6; D9/377**

[56] **References Cited**

**U.S. PATENT DOCUMENTS**

D. 141,518 6/1945 Porthouse et al. .... **D24/47 X**  
2,959,314 11/1960 Sanchez ..... **D24/47 X**

3,635,724 1/1972 Schaar ..... **215/11.6 X**  
4,215,785 8/1980 Schwalger ..... **215/11.6**

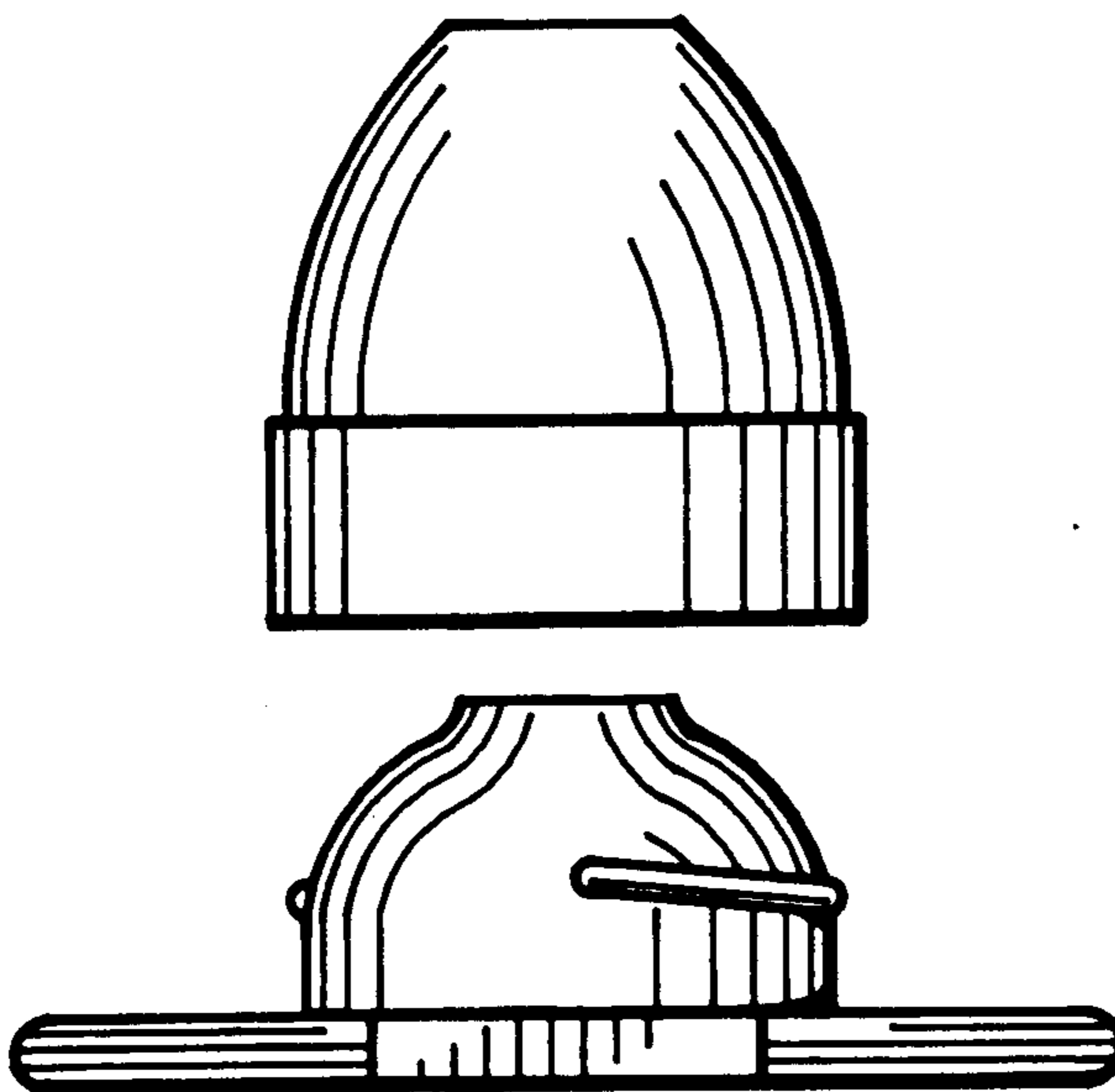
*Primary Examiner*—Stella Reid  
*Attorney, Agent, or Firm*—Jerry T. Kearns

[57] **CLAIM**

The ornamental design for a non-drip baby bottle cap, as shown and described.

**DESCRIPTION**

FIG. 1 is a front elevational view of a non-drip baby bottle showing our new design;  
FIG. 2 is a right side elevational view thereof;  
FIG. 3 is a top plan view thereof;  
FIG. 4 is a bottom plan view thereof;  
FIG. 5 is a rear elevational view thereof; and,  
FIG. 6 is a left side elevational view thereof.



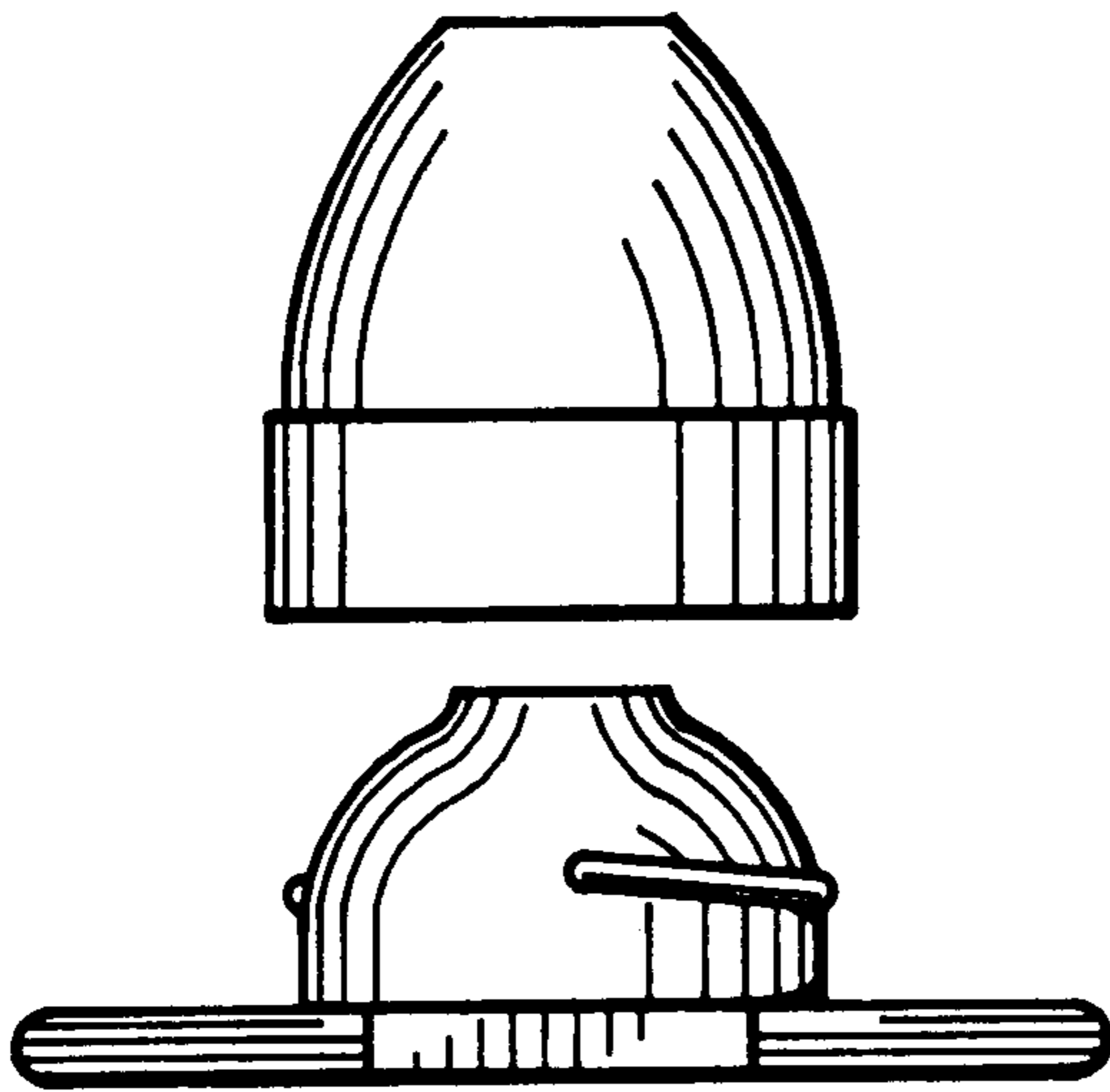


Fig. 1

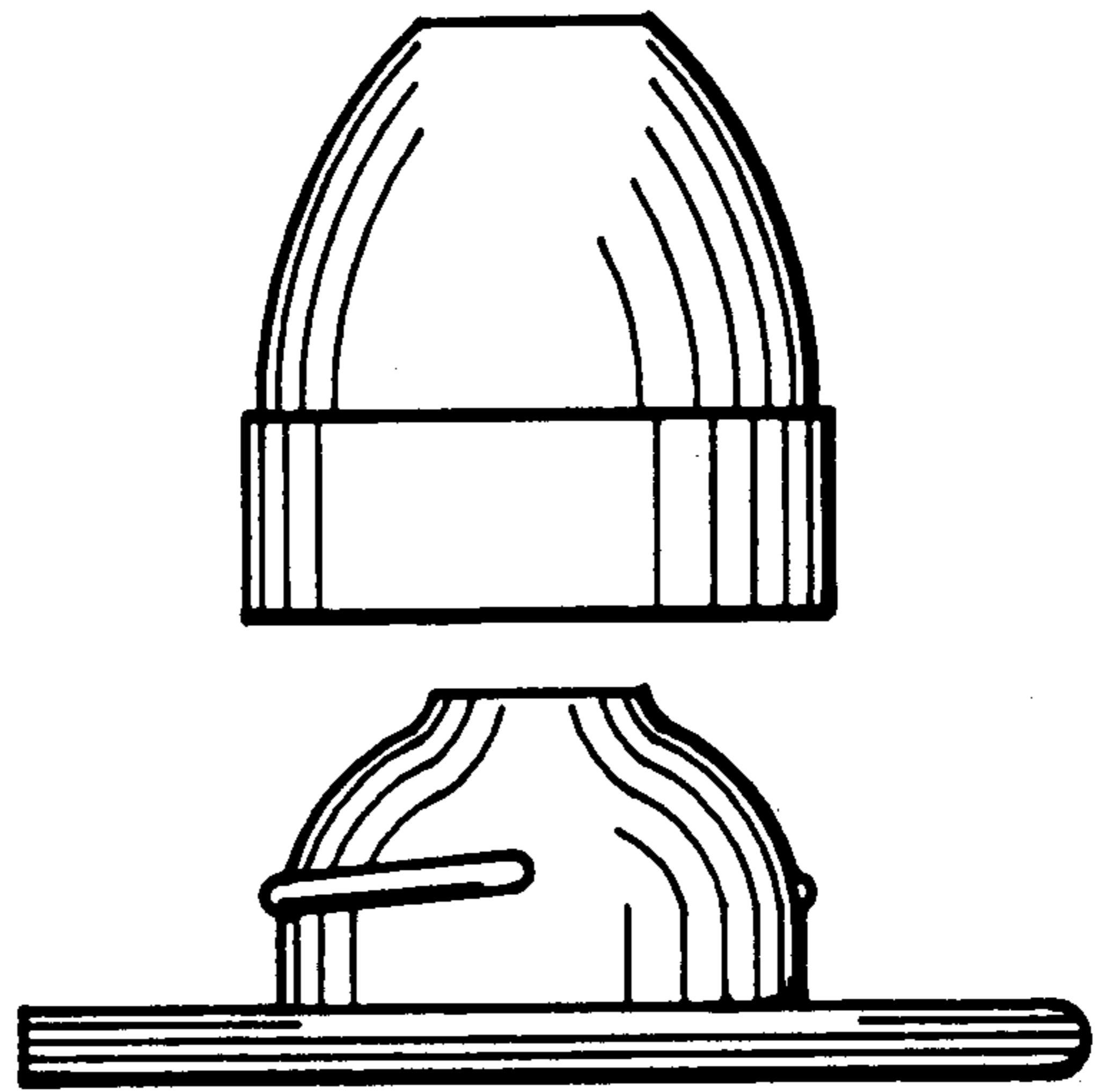


Fig. 2

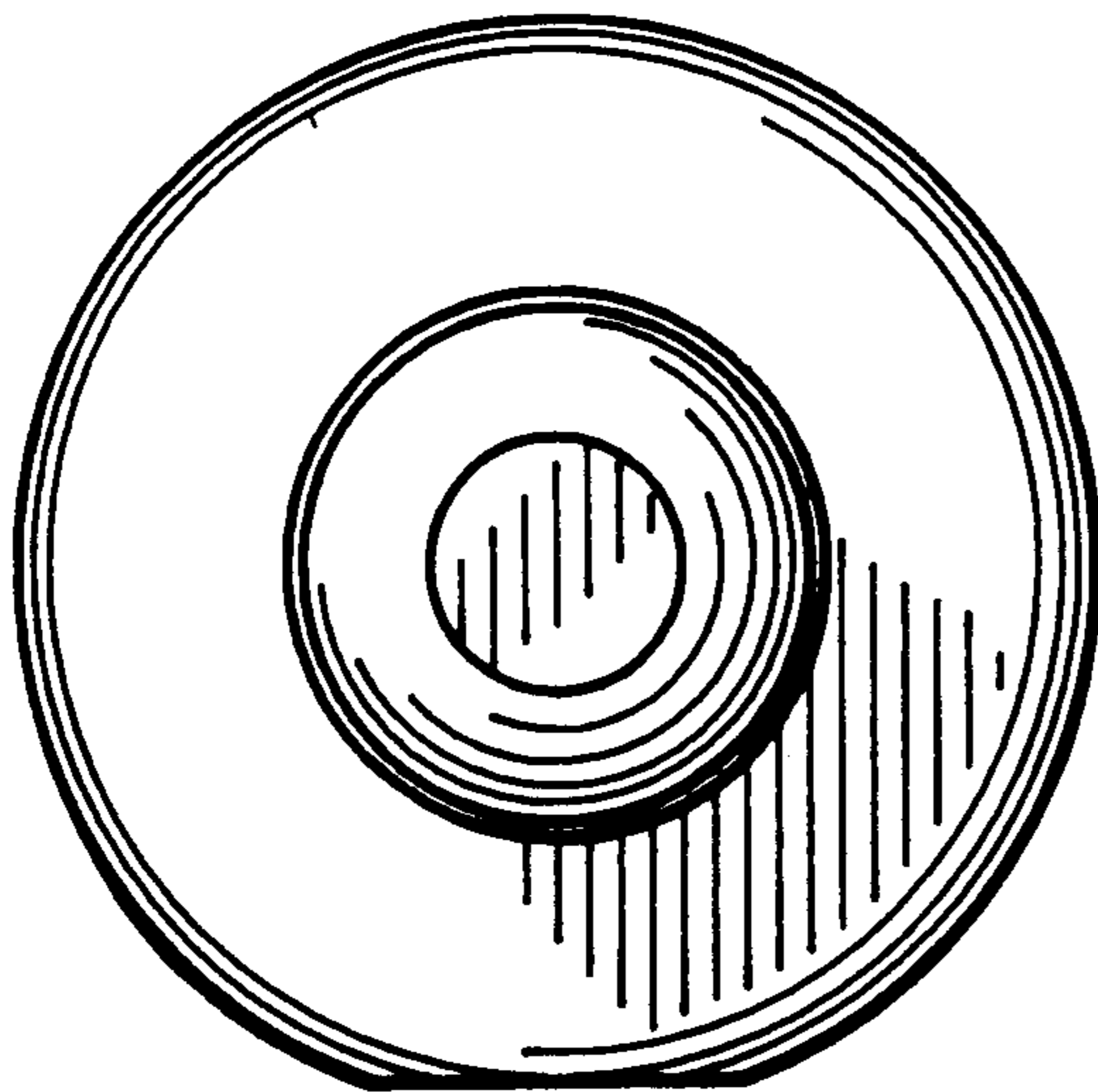


Fig. 3

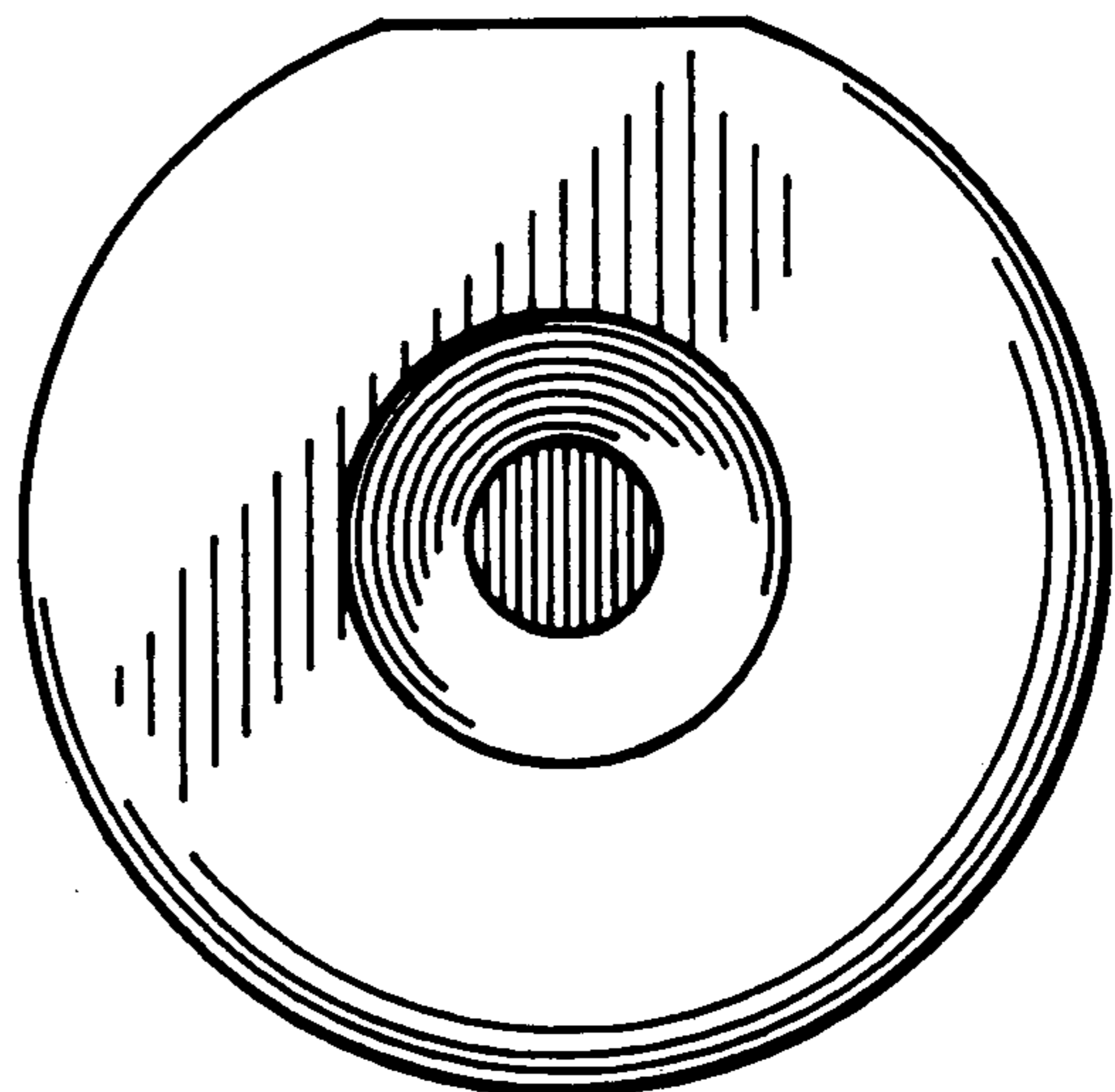


Fig. 4

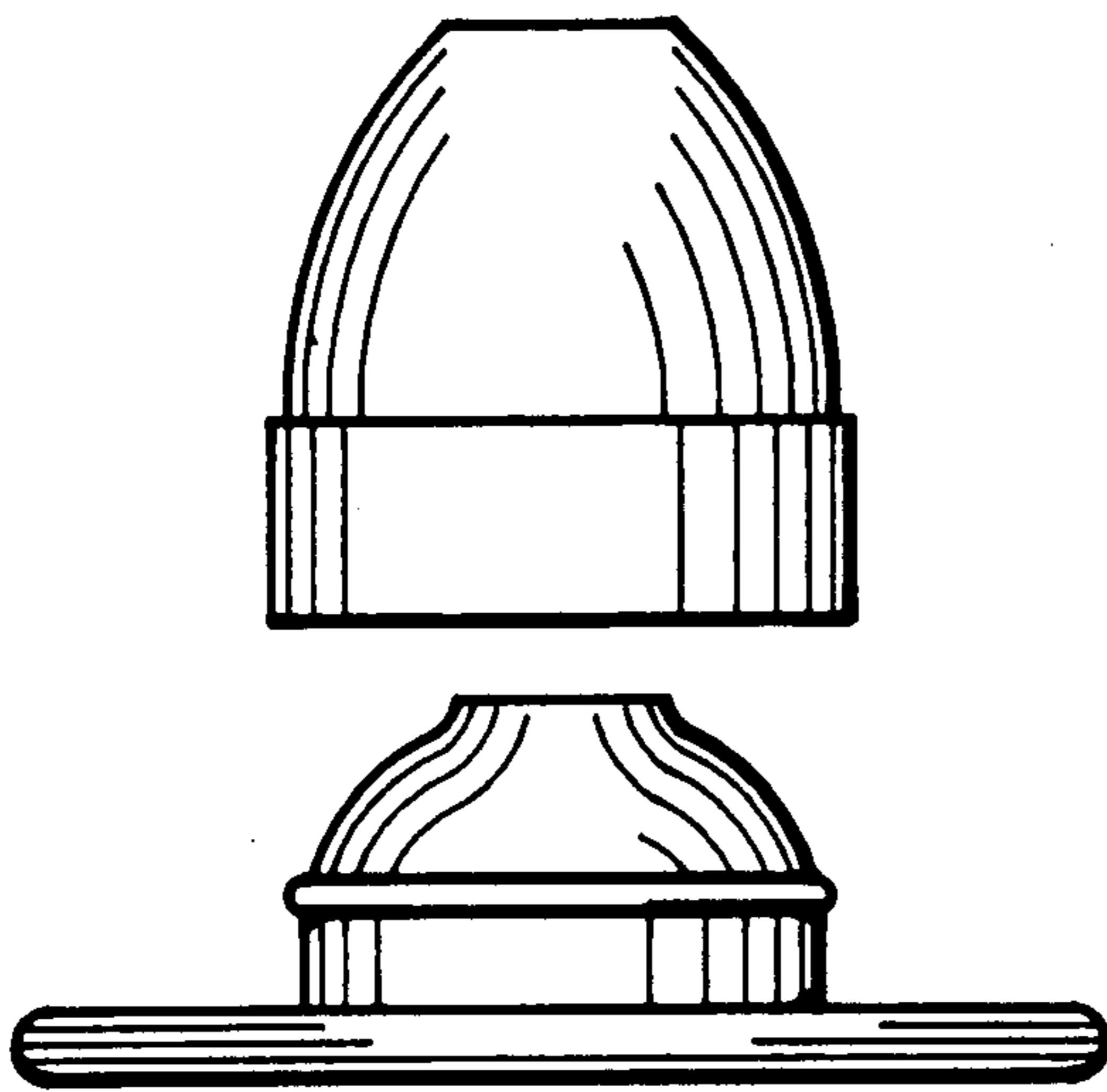


Fig. 5

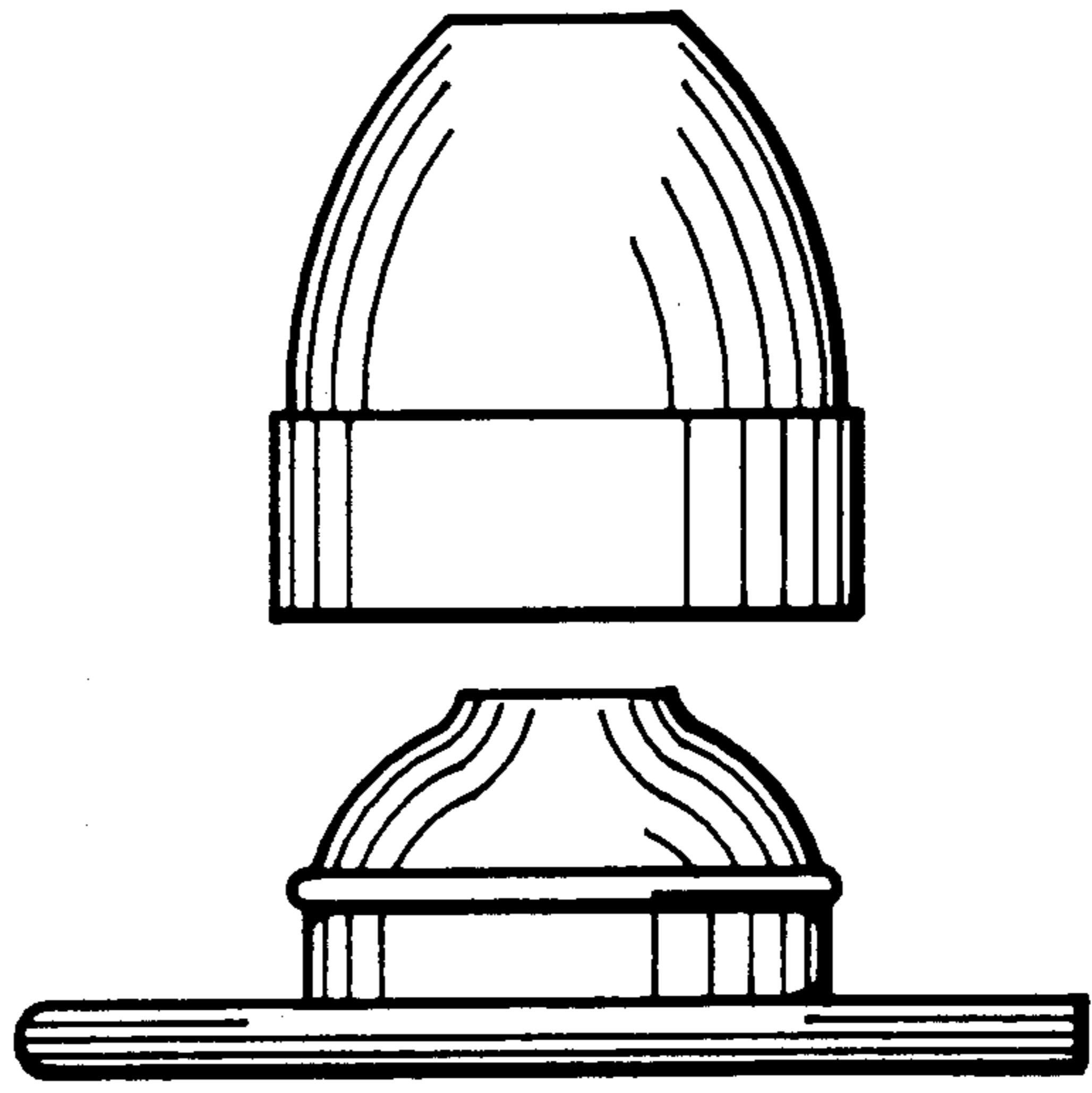


Fig. 6